

CHAMPION

POWER EQUIPMENT™

10006 Santa Fe Springs Road
Santa Fe Springs, CA 90670 USA
Made in China

30000
Rev 30000-20080208



Owner's Manual and Operating Instructions



2 Gallon

AIR COMPRESSOR

Table of Contents

Introduction	1	Troubleshooting	11
This Booklet.....	1	Warranty	13
Manual Conventions	2	Warranty Qualifications	13
Safety Rules	3	Repair/Replacement Warranty	13
Controls and Features.....	5	Do not return the unit to the place of	
2 gallon Air Compressor.....	5	purchase	13
Operation	6	Warranty Exclusions.....	13
Start Up Procedure.....	6	Normal Wear	13
Shutdown and Storage	6	Installation, Use and Maintenance.....	13
Maintenance	7	Other Exclusions	13
Compressor Maintenance	7	Limits of Implied Warranty and	
Checking Safety Relief Valve	7	Consequential Damage	13
Specifications	8	Contact Information	13
2 gallon Tank Portable		Address.....	13
Inflator/Compressor	8	Customer Service	13
Parts Diagram.....	9	Technical Service.....	13
Parts List.....	10	Notes	14

Introduction

Congratulations on your purchase of a Champion Power Equipment Air Compressor. With proper use and maintenance, this air compressor will bring years of satisfying service.

This Booklet

Every effort has been made to ensure the accuracy and completeness of the information in this manual. We reserve the right to change, alter and/or improve the product and this document at any time without prior notice.

Record the model and serial numbers as well as date and place of purchase for future reference. Have this information available when ordering parts and when making technical or warranty inquiries.

Champion Power Equipment Support
1-877-338-0999
Model Number
30000
Serial Number
Date of Purchase
Purchase Location

Manual Conventions

Manual Conventions

This manual uses the following symbols to help differentiate between different kinds of information. The safety symbol is used with a key word to alert you to potential hazards in operating and owning power equipment.

Follow all safety messages to avoid or reduce the risk of serious injury or death.

DANGER

DANGER indicates an imminently hazardous situation which, if not avoided, *will* result in death or serious injury.

WARNING

WARNING indicates a potentially hazardous situation which, if not avoided, *could* result in death or serious injury.

CAUTION

CAUTION indicates a potentially hazardous situation which, if not avoided, *may* result in minor or moderate injury.

CAUTION

CAUTION used without the safety alert symbol indicates a potentially hazardous situation which, if not avoided, *may* result in property damage.

NOTE

If you have questions regarding your air compressor, we can help. Please call our help line at 1-877-338-0999.

Safety Rules

WARNING

Read this manual thoroughly before operating your air compressor. Failure to follow instructions could result in serious injury or death.

WARNING

Particulate Matter from user applications

Dust created by spraying, blowing, power sanding, sawing, grinding, drilling and other construction activities contains chemicals known to the state of California to cause cancer, birth defects or other reproductive harm. Reduce exposure to these chemicals by wearing approved safety equipment.

DANGER

Risk of Tank Bursting

Do not adjust regulator to result in output pressure greater than marked maximum pressure of attachment. If a regulator has not been installed, use only attachment rated at 120 PSI or higher. Do not weld on or repair tank – A damaged tank must be replaced. Do not operate without proper valve connection.
Never attempt to repair or make modifications to the tank or its attachments. Welding, drilling, or any other modifications may weaken the tank, which may result in damage from rupture or explosion.
Never remove or attempt to adjust the pressure switch, safety valve or other components that control tank pressure.

DANGER

Risk of Electrical Shock

Disconnect air compressor from power source before servicing. USE PROPERLY grounded ELECTRICAL CONNECTIONS — DO NOT use grounding adaptors. Do not use in wet or damp locations or expose to rain. Keep all connections dry and off the ground. Do not allow power cords to come into contact with water. Do not touch the plug with wet hands. Do not pull on the electrical cord to disconnect from the power outlet. Store air compressor indoors when not in use.

WARNING

Do not inhale compressed air

This air compressor is not designed, nor intended for the supply of breathable quality air. Air produced by this unit may contain carbon monoxide or other toxic vapors. Do not inhale air from the compressor or from a breathing device connected to it.

WARNING

Air Compressor generates significant heat

Touching exposed metal such as the compressor head or exhaust tube can result in serious burns. Keep hands and fingers away from exposed metal parts on air compressor during or immediately after operation. Air compressors generate significant heat during normal operation and will remain hot for some time after use.

Safety Rules

WARNING

Compressed air stream can be harmful to people or pets

The powerful compressed air stream can damage exposed skin and easily propel loose dirt, and other small objects at high-speed, resulting in injury. Always wear eye protection that meets ANSI Z28.1 specifications. Shut OFF air compressor and relieve pressure before performing maintenance or repairs. Do not move the air compressor while the air tank is pressurized. Never attempt to move the air compressor by pulling on the air hose.

WARNING

Movement from Vibration

Always operate air compressor in a stable and secure position to prevent accidental movement of the unit. Never operate air compressor on a roof or other elevated position. Use additional air hose to reach high locations.

WARNING

Air Tools and Accessories

Do not exceed the pressure rating of any air tools, spray guns, air accessories, or inflatables. Excess pressure can cause them to explode, resulting in serious injury. Follow the manufacturers recommended pressure settings for all air tools and air accessories.

WARNING

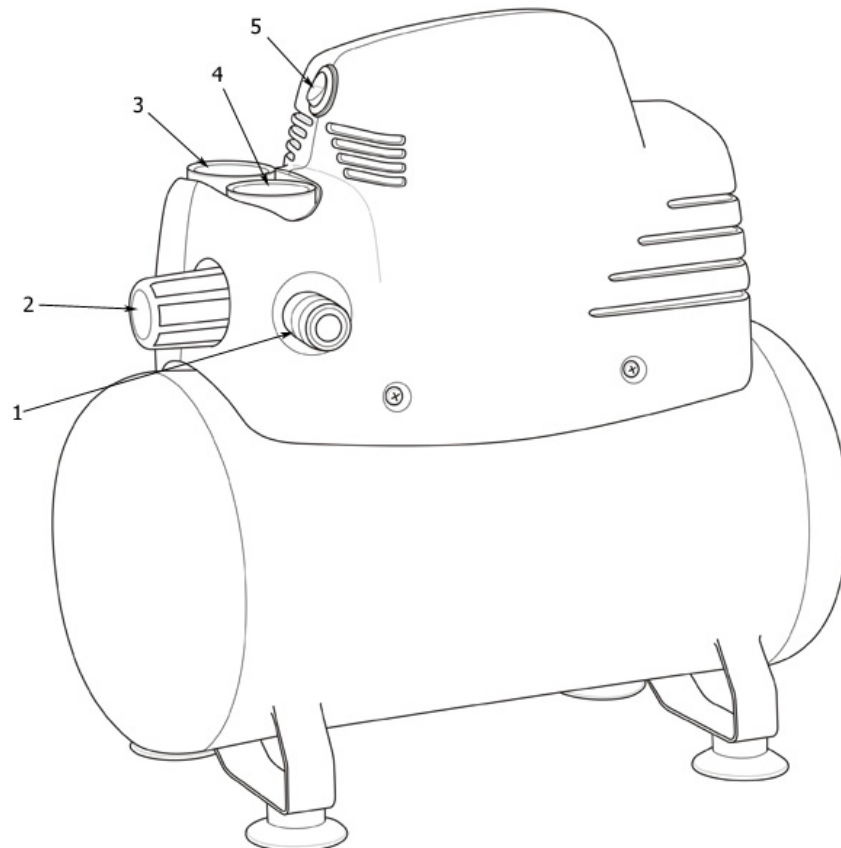
Release air and liquid from tank before and after each use

Use the drain valve located on the bottom of the lower air tank to drain. Failure to properly drain liquid from the tank will cause rust from moisture buildup, which weakens the tank and could lead to a violent tank explosion. Periodically inspect the tanks for unsafe conditions such as corrosion, cracked welds, and leaks. When operating drain valve, release air and liquid slowly when depressurizing the tank. High speed release of air and liquid may stir up rust and debris and may result in injury.

Controls and Features

Read this owner's manual before operating your air compressor. Familiarize yourself with the location and function of the controls and features. Save this manual for future reference.

2 gallon Air Compressor



(1) Outlet coupler port – Connection port for air tools and accessories

(2) Outlet pressure regulator knob – Adjust to regulate pressure output for particular accessory or air tool

(3) Tank pressure gauge – Displays tank pressure

(4) Outlet port pressure gauge – Displays outlet pressure. Adjust with regulator knob

(5) Motor Switch/Tank Regulator housing – Control center tank pressure/On-Off switch

Operation

Operation



NOTE

Your air compressor does not require any assembly.

Start Up Procedure

1. Before plugging compressor into power outlet, make sure motor switch is in the OFF position.
2. Place air compressor on a flat, level surface.
3. Drain moisture from the air tank by slowly opening the air tank drain valve by turning clockwise. Once all the moisture has drained out, close the fitting securely
4. Turn output port regulator knob to a closed position (counterclockwise)
5. Attach air hose and accessories.
6. Before plugging compressor into power outlet check to see all components, hoses, accessories, are all in working order.
7. Plug power cord directly into a properly grounded power source of the correct voltage

8. Turn the compressor ON by moving the motor switch to the AUTO/ON position. Allow the tank pressure to build. Once the air pressure reaches the preset pressure maximum it will automatically shut off.
9. Adjust regulator knob on outlet port to appropriate pressure for particular accessory

Shutdown and Storage

1. Turn the switch to the OFF position
2. Unplug compressor from power source
3. Turn the outlet pressure regulator knob fully counterclockwise to close airflow to port. Check pressure gauge that it reads 0 PSI
4. Remove air hose and any accessories
5. Slowly open tank drain valve to release moisture from tanks. Tilt tank to remove all moisture. When all moisture has been removed, close the fitting securely.
6. Allow the compressor motor to cool down
7. Wipe down and store in a clean, dry, and non-freezing location

Maintenance

The owner/operator is responsible for all periodic maintenance.



WARNING

Improper maintenance will void your warranty.

Make sure to consistently drain moisture from tank before and after each use.



NOTE

For service or parts assistance, contact our toll-free help line at 1-877-338-0999.

Compressor Maintenance

Checking Safety Relief Valve

1. Turn air compressor off and disconnect from power source
2. Release tank pressure by opening tank drain
3. Allow compressor to fully cool
4. Grasp wire ring on safety relief valve. Pull and release the ring a few times to verify plunger movement
5. Replace safety relief valve if plunger is not functioning properly.

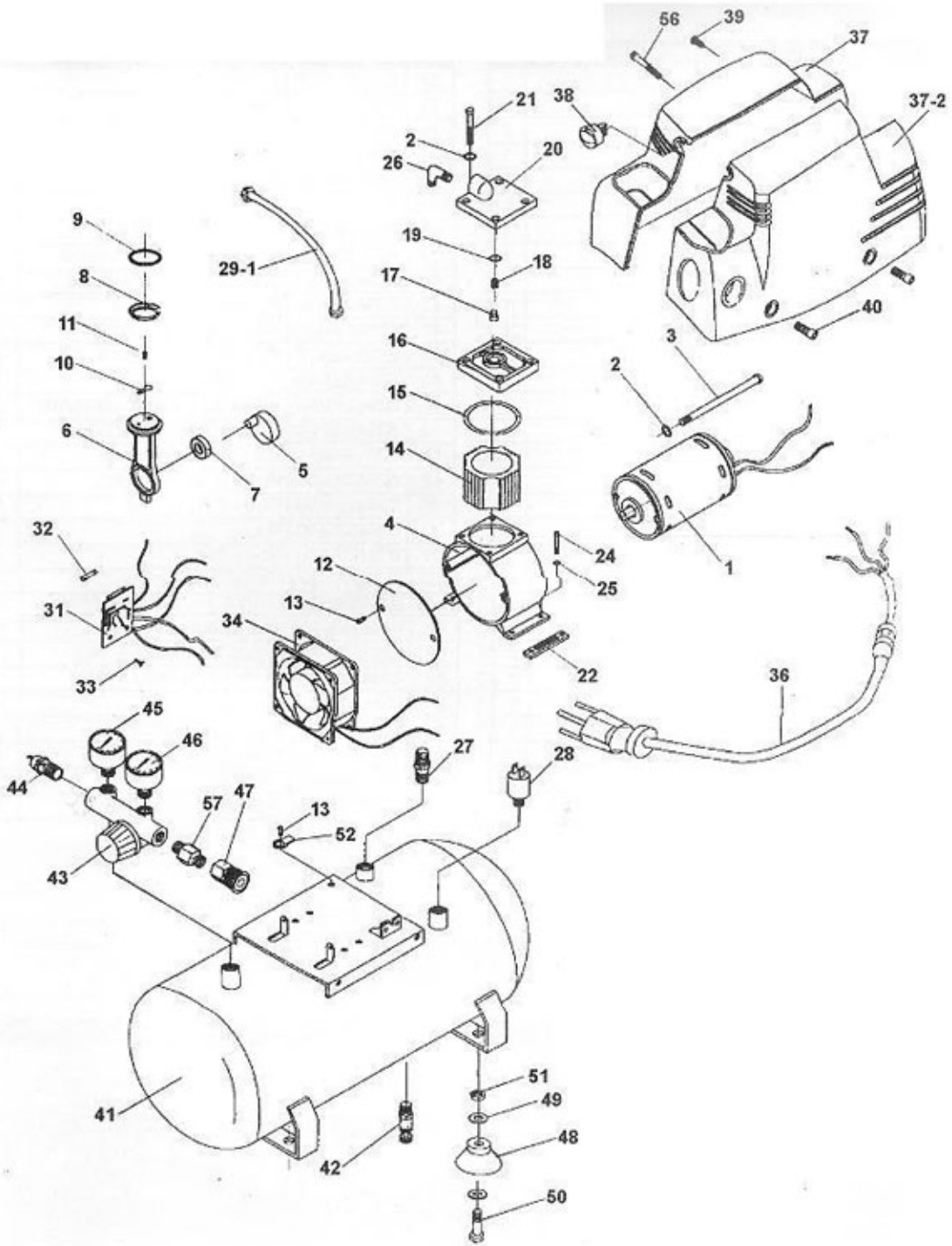
Specifications

Specifications

2 gallon Tank Portable Inflator/Compressor

Volt	120V/60Hz
Air Displacement	0.7 SCFM@40psi 0.5 SCFM@90psi
Max Pressure	100 PSI
Power	½ HP max ¼ HP running
Motor Speed	3000 RPM
Tank Size	2 gallon
Rated Electricity	2 Amps

Parts Diagram



Specifications

Parts List

No	Part Number	Description	Qty
1	30000-01	MOTOR	1
2	30000-02	LOCK WASHER	6
3	30000-03	LONG SCREW	2
4	30000-04	CRANKCASE	1
5	30000-05	CRANKSHAFT	1
6	30000-06	PISTON	1
7	30000-07	BEARING	1
8	30000-08	PISTON RING	1
9	30000-09	RING	1
10	30000-10	INLET VALVE PLATE	1
11	30000-11	SCREW	3
12	30000-12	CRANKCASE COVER	1
13	30000-13	SCREW	3
14	30000-14	CYLINDER	1
15	30000-15	O-RING	1
16	30000-16	VALVE SEAT	1
17	30000-17	OUTLET VALVE GASKET	1
18	30000-18	SPRING	1
19	30000-19	O-RING	1
20	30000-20	CYLINDER HEAD	1
21	30000-21	CAP SCREW	4
22	30000-22	CRANKCASE RUBBER PAD	2
23	30000-23	CAP SCREW	4
24	30000-24	LOCK WASHER	4
25	30000-25	EXHAUST TUBE	1
26	30000-26	CONNECTOR	1
27	30000-27	PRESSURE SWITCH	1
28	30000-28	COPPER PIPE ASSEMBLY	1
29	30000-29	PC BOARD	1
30	30000-30	FUSE	1
31	30000-31	SCREW	2
32	30000-32	COOLING FAN	1
33	30000-33	POWER CORD	1
34	30000-34	LEFT HOUSING	1
35	30000-35	RIGHT HOUSING	1
36	30000-36	ON/OFF SWITCH	1
37	30000-37	SMALL TAPPING SCREW	6
38	30000-38	CAP SCREW	4
39	30000-39	2GAL AIR TANK	1
40	30000-40	DRAIN VALVE	1
41	30000-41	REGULATOR ASSEMBLY	1
42	30000-42	SAFETY VALVE	1
43	30000-43	TANK PRESSURE GAUGE	1
44	30000-44	OUTLET PRESSURE GAUGE	1
45	30000-45	QUICK COUPLER	1
46	30000-46	RUBBER FOOT	4
47	30000-47	WASHER	8
48	30000-48	SCREW	4
49	30000-49	HEX NUT	4
50	30000-50	CORD CONNECTOR	1
51	30000-51	LONG TAPPING SCREW	2
52	30000-52	ADAPTOR COUPLER	1

Troubleshooting

Problem	Cause	Solution
Air Compressor will not start	Power cord	Plug into grounded outlet
	Motor Switch is in OFF position	Move lever to auto/on position
	Blown fuse, circuit breaker trip	Replace fuse, reset circuit breaker Unplug other appliances from same outlet
	Wrong gauge extension cord	Check gauge on cord and verify that it is the correct size
	Tank pressure is greater than auto motor "kick in"	Open tank drain valve to release tank pressure
	Defective motor, motor switch	Call Champion Hotline #
Overheating	Insufficient Ventilation	Place compressor in environment with well circulated supply of cool, dry air.
	Dirty or obstructed cooling fins	Clean surfaces of cooling fins on and around pump/motor area
When in Auto/On position, motor runs continuously	Motor switch malfunction- does not respond when tank reaches max pressure, safety relief valve engage	Move motor switch to OFF position. If motor does not shut-off, unplug the compressor. Evaluate motor switch wiring. Replace if needed
	Incorrect compressor size for tool application	The Air tool might be too big for the compressor you are using. Use a smaller air tool, or a larger compressor
Air leak after motor stops at switch release valve	The check valve is stuck open	Remove, clean or replace check valve
Air leak while motor is running at switch release valve	Defective motor switch	Replace
	The check valve is stuck open	Replace- NOTE – do not remove while tank is pressurized. Release tank pressure by opening tank drain valve
Air leak from safety relief valve	Malfunctioning safety relief valve	Pull manually on ring. If valve does not make a clean seal when closed, replace.
	Excessive Tank Pressure	Defective motor switch. Replace
Air leaks at pump	Malfunctioning/blown gaskets	Replace poor gaskets
Air leaks in tank	Rusted, broken welds – Defective tank	Replace – Note – Do not attempt to repair air tank!
Air leaks at fittings	Fittings are not sufficiently tight	Tighten fittings – Note- Do not over tighten
Air blowing from intake filter	Damage intake valve	Contact Champion Hotline #
Insufficient pressure for air tool or accessory	Air leaks	Check for leaks on all fittings and connections. Tighten or repair connections as needed
	Air compressor is not large enough for particular air equipment	Note the equipment requirement – if higher than pressure supply of compressor, or causes the motor to run continuously, you need a larger air compressor
	Pressure regulator is not set to accurate pressure	Adjust pressure regulator knob to correct setting
	Restricted air intake	Clean or replace filter element
	Defective motor/pressure switch	Replace
	Hose or hose connection(s) are inaccurate size	Assess and replace if necessary
Air compressor not making enough air	Low compression	Possible worn piston rings and/or cylinder walls. Inspect and replace as needed
	Malfunctioning intake filter	Clean or replace filter element
	Leaking inlet valve	Release all tank pressure, then measure pump up time. Compare to

Troubleshooting

Problem	Cause	Solution
		specifications. If needed inspect and replace valve components
	Malfunctioning pilot valve	Clean or replace
Moisture in discharge air	Excessive condensation in air tank due to atmospheric humidity	Always drain tank after use. Drain more often in areas of high humidity. Use air line filter

Warranty

CHAMPION POWER EQUIPMENT
1 YEAR LIMITED WARRANTY

Warranty Qualifications

Champion Power Equipment (CPE) will register this warranty upon receipt of your Warranty Registration Card and a copy of your sales receipt from one of CPE's retail locations as proof of purchase.

Please submit your warranty registration and your proof of purchase within ten (10) days of the date of purchase.

Repair/Replacement Warranty

CPE warrants to the original purchaser that the mechanical and electrical components will be free of defects in material and workmanship for a period of one (1) year from the original date of purchase (90 days for commercial & industrial use). Transportation charges on product submitted for repair or replacement under this warranty are the sole responsibility of the purchaser. This warranty only applies to the original purchaser and is not transferable.

Do not return the unit to the place of purchase

Contact CPE's Technical Service and CPE will troubleshoot any issue via phone or e-mail. If the problem is not corrected by this method, CPE will, at its option, authorize evaluation, repair or replacement of the defective part or component at a CPE Service Center. CPE will provide you with a case number for warranty service. Please keep it for future reference. Repairs or replacements without prior authorization, or at an unauthorized repair facility, will not be covered by this warranty.

Warranty Exclusions

This warranty does not cover the following repairs and equipment:

Normal Wear

Compressors need periodic parts and service to perform well. This warranty does not cover repair when normal use has exhausted the life of a part or the equipment as a whole.

Installation, Use and Maintenance

This warranty will not apply to parts and/or labor if this compressor is deemed to have been misused, neglected, involved in an accident, abused, pressurized beyond the recommended pressure or temperature limits, modified, installed improperly or connected incorrectly to

any electrical component. Failure to follow recommended operating and maintenance procedure will also void this warranty.

Other Exclusions

This warranty excludes:

Cosmetic defects such as paint, decals, etc. Pump or valve failure due to rain, excessive humidity, corrosive environments or other contaminants; rusted tanks including but not limited to rust due to improper drainage or corrosive environments.

Failures to due acts of God and other force majeure events beyond the manufacturer's control.

Problems caused by parts that are not original Champion Power Equipment parts.

This warranty does not apply to compressors used for commercial or rental purposes.

Limits of Implied Warranty and Consequential Damage

Champion Power Equipment disclaims any obligation to cover any loss of time, use of this product, freight, or any incidental or consequential claim by anyone from using this compressor. THIS WARRANTY IS IN LIEU OF ALL OTHER WARRANTIES, EXPRESS OR IMPLIED, INCLUDING WARRANTIES OF MERCHANTABILITY OR FITNESS FOR A PARTICULAR PURPOSE

A unit provided as an exchange will be subject to the warranty of the original unit. The length of the warranty governing the exchanged unit will remain calculated by reference to the purchase date of the original unit.

This warranty gives you certain legal rights which may change from state to state. Your state may also have other rights you may be entitled to that are not listed within this warranty.

Contact Information

Address

Champion Power Equipment, Inc.
Customer Service
10006 Santa Fe Springs Rd.
Santa Fe Springs, CA 90670

Customer Service

Mon – Fri 8:30 AM – 5:00 PM (PST/PDT)
Toll Free: 1-877-338-0999
Fax no.: 1-562-236-9429

Technical Service

Mon – Fri 8:30 AM – 5:00 PM (PST/PDT)
Toll Free: 1-877-338-0999
tech@championpowerequipment.com

Notes

Notes