

CHAMPION

GLOBAL POWER EQUIPMENT

TM-MC

OWNER'S MANUAL & OPERATING INSTRUCTIONS



4000 Starting Watts / 3500 Running Watts
Recoil Start

PORTABLE GENERATOR



MODEL NUMBER
46597

SAVE THESE INSTRUCTIONS
Important Safety Instructions
are included in this manual.

MADE IN CHINA
REV 46597-20170825

12039 Smith Ave.
Santa Fe Springs CA 90670
USA / 1-877-338-0999
www.championpowerequipment.com

AN IMPORTANT MESSAGE ABOUT TEMPERATURE:

Your Champion Power Equipment product is designed and rated for continuous operation at ambient temperatures up to 40°C (104°F). When your product is needed your product may be operated at temperatures ranging from -15°C (5°F) to 50°C (122°F) for short periods. If the product is exposed to temperatures outside this range during storage, it should be brought back within this range before operation. In any event, the product must always be operated outdoors, in a well-ventilated area and away from doors, windows and other vents.

Have questions or need assistance?

Do not return this product to the store!

WE ARE HERE TO HELP!

Visit our website:

www.championpowerequipment.com

for more info:

- Product Info & Updates
- Tech Bulletins
- Frequently Asked Questions
- Product Registration

– or –

Call our Customer Care Team Toll-Free at:

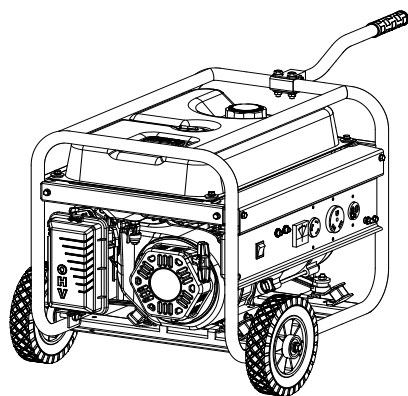
1-877-338-0999

For residents of California:

WARNING: This product contains chemicals known to the State of California to cause cancer or birth defects and other reproductive harm.

WARNING: The engine exhaust from this product contains chemicals known to the State of California to cause cancer and birth defects and other reproductive harm.

*We are always working to improve our products. Therefore, the enclosed product may differ slightly from the image on the cover.



4000 Starting Watts / 3500 Running Watts
Recoil Start

PORTABLE GENERATOR

TABLE OF CONTENTS

| | | | |
|---|-----------|--|-----------|
| Introduction | 1 | Maintenance and Storage | 14 |
| Introduction | 1 | Engine Maintenance | 14 |
| Portable Power Generator | 1 | Oil | 14 |
| Accessories | 1 | Spark Plugs | 14 |
| This Booklet | 1 | Air Filter | 14 |
| Manual Conventions | 2 | Spark Arrester | 15 |
| Safety Rules | 3 | Cleaning | 15 |
| Controls and Features | 5 | Adjustments | 15 |
| Generator | 5 | Maintenance Schedule | 15 |
| Power Panel | 6 | Generator Maintenance | 16 |
| Parts Included | 7 | Storage | 16 |
| Wheel Kit | 7 | Generator Storage | 16 |
| Other | 7 | Specifications | 17 |
| Assembly | 8 | Engine Specifications | 17 |
| Remove the Generator from the Shipping Carton | 8 | Generator Specifications | 17 |
| Install the Wheel Kit | 8 | Fuel | 17 |
| Install the Support Leg | 8 | Oil | 17 |
| Install the Handle | 8 | Spark Plugs | 17 |
| Add Engine Oil | 9 | Maintenance Valve Clearance | 17 |
| Add Fuel | 10 | An Important Message About Temperature | 17 |
| Grounding | 10 | Wiring Diagram | 18 |
| Operation | 11 | Parts Diagram | 19 |
| Generator Location | 11 | Parts List | 20 |
| Grounding | 11 | Engine Parts Diagram | 21 |
| Surge Protection | 11 | Engine Parts List | 22 |
| Recoil Start | 12 | Troubleshooting | 23 |
| Connecting Electrical Loads | 12 | | |
| Stopping the Engine | 12 | | |
| Do Not Overload Generator | 13 | | |
| Capacity | 13 | | |
| Power Management | 13 | | |
| Operation at High Altitude | 13 | | |

INTRODUCTION

Introduction

Congratulations on your purchase of a Champion Power Equipment generator. CPE designs and builds generators to strict specifications. With proper use and maintenance, this generator will bring years of satisfying service.

Portable Power Generator

This unit is a gasoline engine driven, alternating current (AC) generator. It is designed to supply electrical power for lighting, appliances, tools and similar equipment.

Accessories

Champion Power Equipment manufactures and sells accessories designed to help you get the most from your purchase. To find out more about our covers and power cables, Please visit our web site at:

→ www.championpowerequipment.com

This Booklet

Every effort has been made to ensure the accuracy and completeness of the information in this manual. We reserve the right to change, alter and/or improve the product and this document at any time without prior notice.

Record the model and serial numbers as well as date and place of purchase for future reference. Have this information available when ordering parts and when making technical or warranty inquiries.

| |
|--|
| Champion Power Equipment Support |
| 1-877-338-0999 |
| Model Number |
| 46597 |
| Serial Number |
| |
| Date of Purchase |
| |
| Purchase Location |
| |
| For Oil Type see 'Add Engine Oil' section. For Fuel Type see 'Add Fuel' section. |

This manual uses the following symbols to help differentiate between different kinds of information. The safety symbol is used with a key word to alert you to potential hazards in operating and owning power equipment.

Follow all safety messages to avoid or reduce the risk of serious injury or death.

 **DANGER**

DANGER indicates an imminently hazardous situation which, if not avoided, **will** result in death or serious injury.

 **WARNING**

WARNING indicates a potentially hazardous situation which, if not avoided, **could** result in death or serious injury.

 **CAUTION**

CAUTION indicates a potentially hazardous situation which, if not avoided, **may** result in minor or moderate injury.

CAUTION

CAUTION used without the safety alert symbol indicates a potentially hazardous situation which, if not avoided, **may** result in property damage.

 **NOTE**

If you have questions regarding your generator, we can help. Please call our help line at **1-877-338-0999**.

SAFETY RULES

WARNING

Read this manual thoroughly before operating your generator. Failure to follow instructions could result in serious injury or death.

WARNING

The engine exhaust from this product contains chemicals known to the state of California to cause cancer, birth defects, or other reproductive harm.

DANGER

Generator exhaust contains carbon monoxide, a colorless, odorless, poison gas. Breathing carbon monoxide will cause nausea, dizziness, fainting or death. If you start to feel dizzy or weak, get to fresh air immediately.

Operate generator outdoors only in a well ventilated area.

DO NOT operate the generator inside any building, including garages, basements, crawlspaces and sheds, enclosure or compartment, including the generator compartment of a recreational vehicle. DO NOT allow exhaust fumes to enter a confined area through windows, doors, vents or other openings.

DANGER CARBON MONOXIDE: using a generator indoors **CAN KILL YOU IN MINUTES.**

DANGER

Rotating parts can entangle hands, feet, hair, clothing and/or accessories.
Traumatic amputation or severe laceration can result.

Keep hands and feet away from rotating parts.
Tie up long hair and remove jewelry.
Operate equipment with guards in place.
DO NOT wear loose-fitting clothing, dangling drawstrings or items that could become caught.

DANGER

Generator produces powerful voltage.

DO NOT touch bare wires or receptacles.
DO NOT use electrical cords that are worn, damaged or frayed.
DO NOT operate generator in wet weather.
DO NOT allow children or unqualified persons to operate or service the generator
Use a ground fault circuit interrupter (GFCI) in damp areas and areas containing conductive material such as metal decking.
Use approved transfer equipment to isolate generator from your electric utility and Notify your utility company before connecting your generator to your power system.

WARNING

Sparks can result in fire or electrical shock.

When servicing the generator:

Disconnect the spark plug wire and place it where it cannot contact the plug.
DO NOT check for spark with the plug removed.
Use only approved spark plug testers.

WARNING

Running engines produce heat. Severe burns can occur on contact.
Combustible material can catch fire on contact.

DO NOT touch hot surfaces.
Avoid contact with hot exhaust gases.
Allow equipment to cool before touching.
Maintain at least 3 ft. (91.4 cm) of clearance on all sides to ensure adequate cooling.
Maintain at least 5 ft. (1.5 m) of clearance from combustible materials.

WARNING

Medical and Life Support Uses.

In case of emergency, call 911 immediately.
NEVER use this product to power life support devices or life support appliances.
NEVER use this product to power medical devices or medical appliances.
Inform your electricity provider immediately if you or anyone in your household depends on electrical equipment to live.
Inform your electrical provider immediately if a loss of power would cause you or anyone in your household to experience a medical emergency.

⚠ DANGER

Fuel and fuel vapors are highly flammable and extremely explosive.
Fire or explosion can cause severe burns or death.
Unintentional startup can result in entanglement, traumatic amputation or laceration.

When adding or removing fuel:

Turn the generator off and let it cool for at least two minutes before removing the fuel cap. Loosen the cap slowly to relieve pressure in the tank.
Only fill or drain fuel outdoors in a well-ventilated area. DO NOT pump gas directly into the generator at the gas station. Use an approved container to transfer the fuel to the generator.
DO NOT overfill the fuel tank.
Always keep fuel away from sparks, open flames, pilot lights, heat and other sources of ignition.
DO NOT light or smoke cigarettes.

When starting the generator:

DO NOT attempt to start a damaged generator.
Make certain that the gas cap, air filter, spark plug, fuel lines and exhaust system are properly in place.
Allow spilled fuel to evaporate fully before attempting to start the engine.
Make certain that the generator is resting firmly on level ground.

When operating the generator:

DO NOT move or tip the generator during operation.
DO NOT tip the generator or allow fuel or oil to spill.

When transporting or servicing the generator:

Make certain that the fuel shutoff valve is in the off position and the fuel tank is empty.
Disconnect the spark plug wire.

When storing the generator:

Store away from sparks, open flames, pilot lights, heat and other sources of ignition.

⚠ WARNING

Operation of this equipment may create sparks that can start fires around dry vegetation.

A spark arrestor may be required. The operator should contact local fire agencies for laws or regulations relating to fire prevention requirements.

⚠ WARNING

Rapid retraction of the starter cord will pull hand and arm towards the engine faster than you can let go.
Unintentional startup can result in entanglement, traumatic amputation or laceration.
Broken bones, fractures, bruises or sprains could result.

When starting engine, pull the starter cord slowly until resistance is felt and then pull rapidly to avoid kickback.
DO NOT start or stop the engine with electrical devices plugged in.

⚠ CAUTION

Exceeding the generator's running capacity can damage the generator and/or electrical devices connected to it.

DO NOT overload the generator.
Start the generator and allow the engine to stabilize before connecting electrical loads.
Connect electrical equipment in the off position, and then turn them on for operation.
Turn electrical equipment off and disconnect before stopping the generator.
DO NOT tamper with the governed speed.
DO NOT modify the generator in any way.

⚠ CAUTION

Improper treatment or use of the generator can damage it, shorten its life and void your warranty.

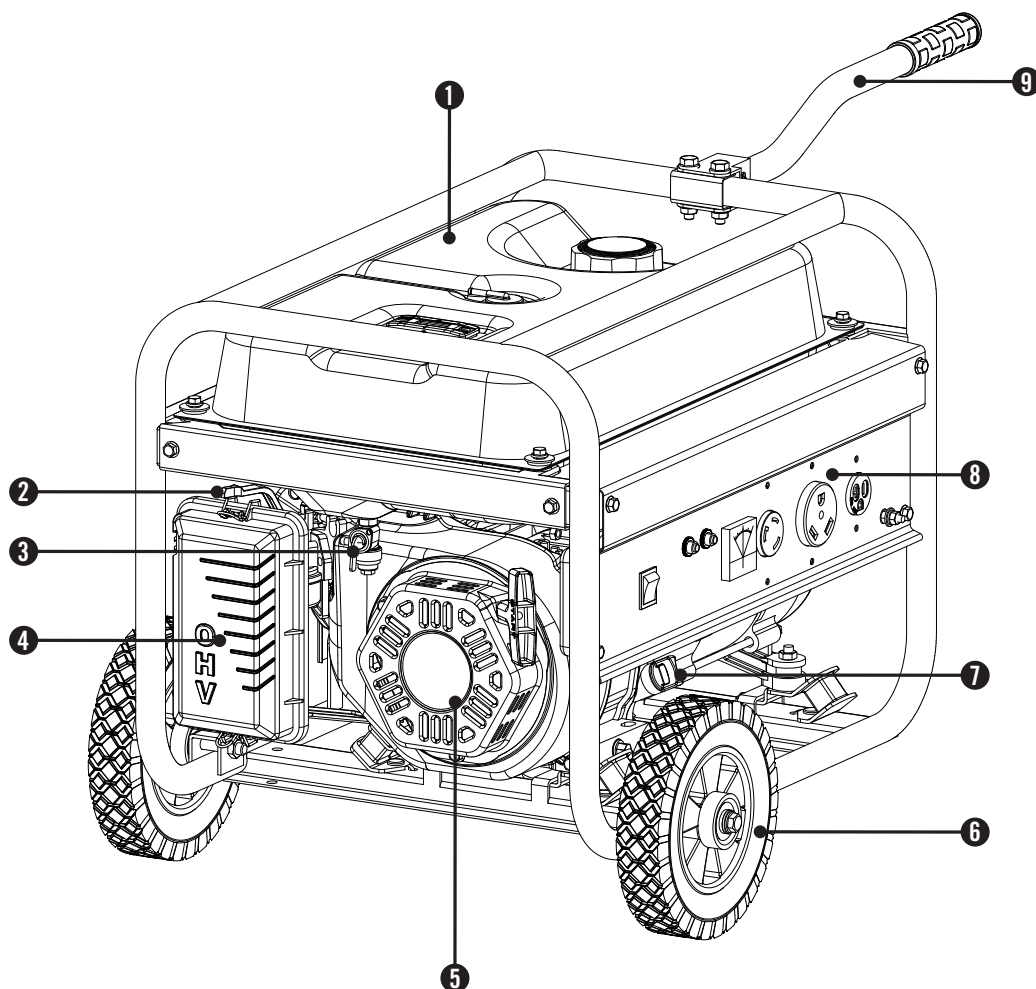
Use the generator only for intended uses.
Operate only on level surfaces.
DO NOT expose generator to excessive moisture, dust, or dirt.
DO NOT allow any material to block the cooling slots.
If connected devices overheat, turn them off and disconnect them from the generator.
DO NOT use the generator if:

- Electrical output is lost
- Equipment sparks, smokes or emits flames
- Equipment vibrates excessively

CONTROLS AND FEATURES

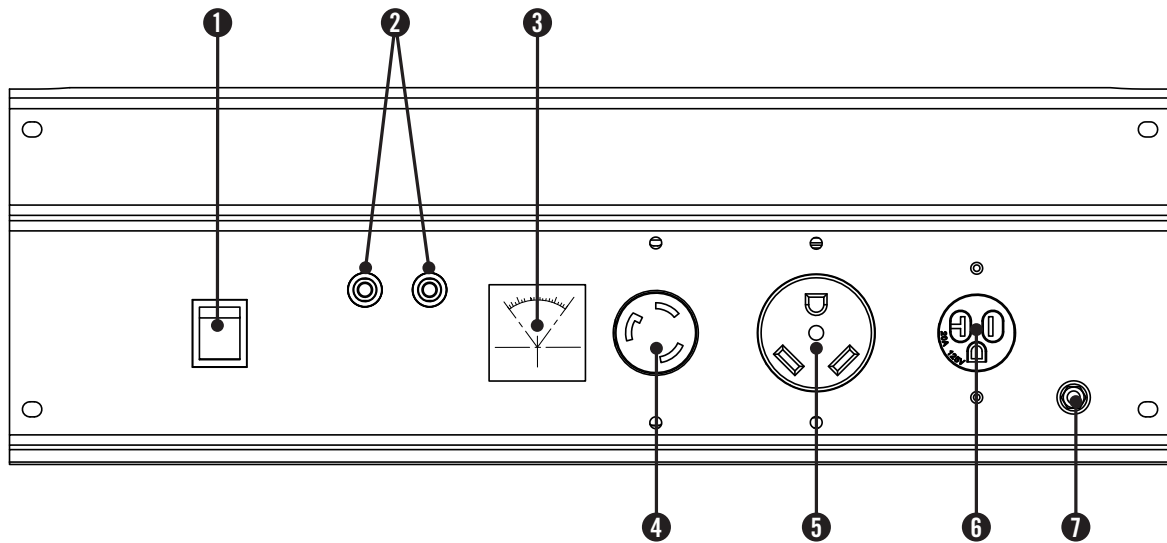
Read this owner's manual before operating your generator. Familiarize yourself with the location and function of the controls and features. Save this manual for future reference.

Generator



- | | |
|---|--|
| (1) Fuel Tank – 3.8 gal. (14.4 L) capacity fuel tank. | (6) Never Flat Tires |
| (2) Choke – Used to start the engine. | (7) Oil Filler Cap – Check and fill engine oil level. |
| (3) Fuel Valve – Used to turn fuel supply on and off to engine. | (8) Power Panel – See “Power Panel” section. |
| (4) Air Filter – Protects the engine by filtering dust and debris from the intake air. | (9) Handle |
| (5) Recoil Starter – Used to manually start the engine. | |

Power Panel



- (1) **Engine Switch** – Used to start or stop the generator.
- (2) **Circuit Breakers** – Protects the generator against electrical overloads.
- (3) **Voltmeter** – Used to display alternator output voltage.
- (4) **120 Volt AC, 30 Amp Twist-Lock Receptacle (NEMA L5-30R)** – May be used to supply electrical power for the operation of 120 Volt AC, 30 Amp, single phase 60 Hz electrical loads.
- (5) **120 Volt AC, 30 Amp Receptacle (NEMA TT-30R)** – May be used to supply electrical power for the operation of 120 Volt AC, 30 Amp, single phase 60 Hz electrical loads.
- (6) **120 Volt AC, 20 Amp Receptacle (NEMA 5-20R)** – May be used to supply electrical power for the operation of 120 Volt AC, 20 Amp, single phase 60 Hz electrical loads.
- (7) **Ground Terminal** – Consult an electrician for local grounding regulations.

CONTROLS AND FEATURES

Parts Included

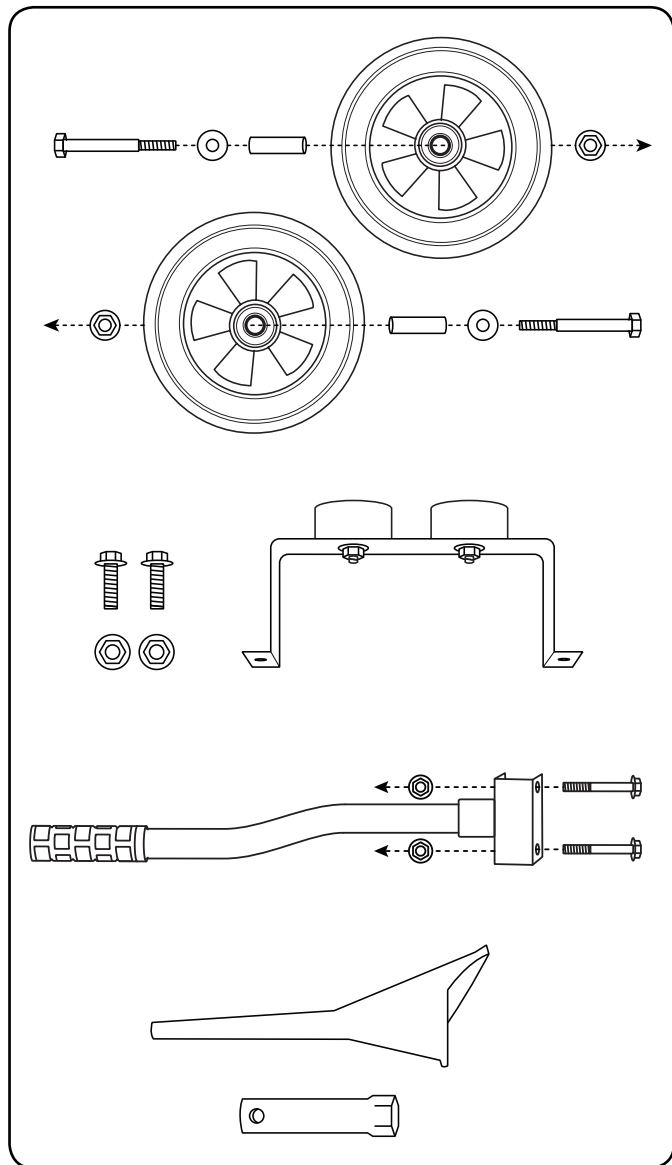
Your 46597 Gasoline Powered Generator ships with the following parts:

Wheel Kit

- 8 in. Wheel 2
- Flange Bolt (M10x105 for Wheel) 2
- Bushing 2
- Flat Washer Ø10 2
- Nut (M10) 2
- Support Leg w/Vibration Mounts 1
- Flange Bolt (M8x16 for Support Leg) 2
- Handle 1
- Flange Bolt (M8x45 for Handle) 2
- Nut (M8) 4

Other

- Oil Funnel 1
- Spark Plug Socket 1



Your generator requires some assembly. This unit ships from our factory without oil. It must be properly serviced with fuel and oil before operation.

If you have any questions regarding the assembly of your generator, call our help line at 1-877-338-0999. Please have your serial number and model number available.

Remove the Generator from the Shipping Carton

1. Set the shipping carton on a solid, flat surface.
2. Remove everything from the carton except the generator.
3. Carefully cut each corner of the box from top to bottom. Fold each side flat on the ground to provide a surface area to install the wheel kit and support leg.

Install the Wheel Kit

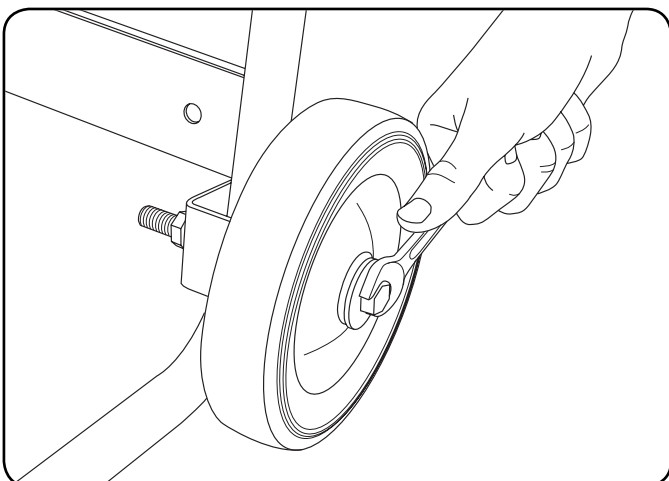
! CAUTION

The wheel kit is not intended for over-the-road use.

You will need the following tools to install the wheels:

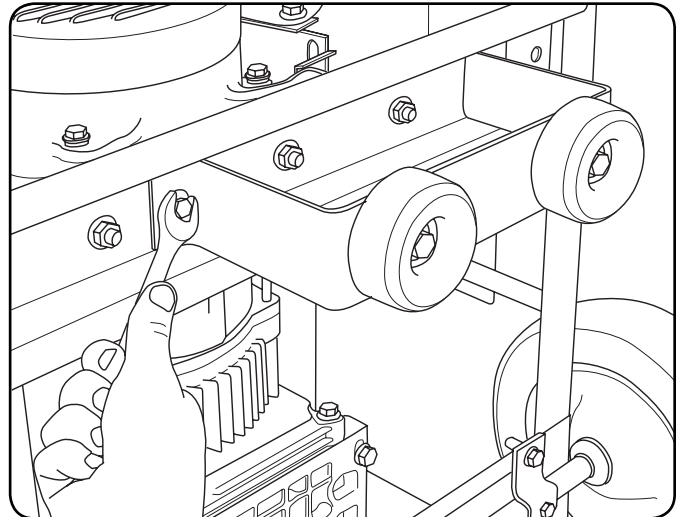
- 17 mm wrench OR adjustable wrench (not included)
- Socket wrench with a 16 mm socket (not included)
- Pliers (not included)

1. Before adding fuel and oil, tip the generator on it's side.
2. Slide the M10x105 wheel bolt through the washer, sleeve and wheel.
3. Slide the bolt through the mount point on the frame.
4. Fasten securely with the M10 nut.
5. Repeat steps 2-4 to attach the second wheel.



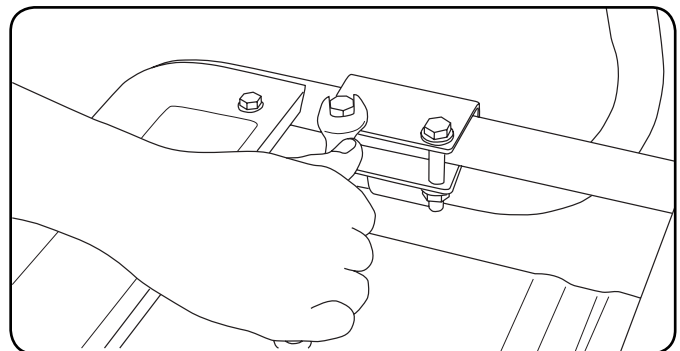
Install the Support Leg

1. Attach the support leg to the generator frame with cap screws (M8x16) and nuts (M8).
2. Tip the generator slowly so that it rests on the wheels and support leg.



Install the Handle

1. Place the handle over the mounting channel on the frame.
2. Secure the handle to the frame using the two handle bolts (M8x45).
3. Place a lock nut (M8) on the end of each bolt and fasten securely. DO NOT over tighten the lock nuts.



ASSEMBLY

Add Engine Oil

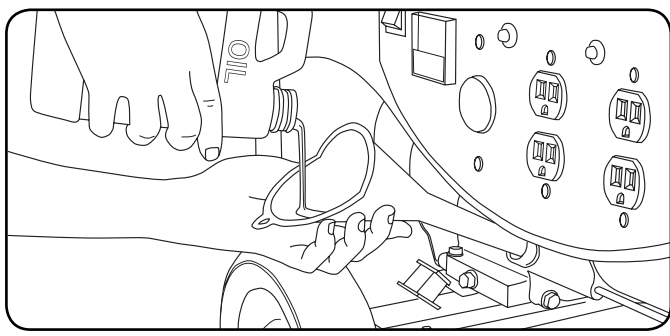
! CAUTION

DO NOT attempt to crank or start the engine before it has been properly filled with the recommended type and amount of oil. Damage to the generator as a result of failure to follow these instructions will void your warranty.

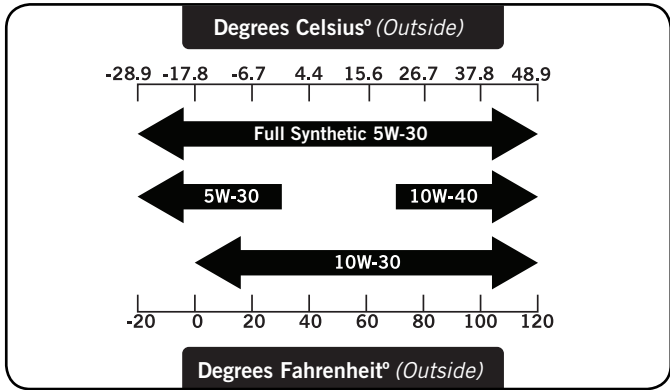
NOTE

The recommended oil type is 10W-30 automotive oil.

1. Place the generator on a flat, level surface.



2. Remove oil fill cap/dipstick to add oil.
3. Add up to 0.6 qt. (0.6 L) of oil (not included) and replace oil fill cap/dipstick. DO NOT OVERFILL.



4. Check engine oil level daily and add as needed.

Add Engine Oil Cont'd.

CAUTION

The engine is equipped with a low oil shut-off and will stop when the oil level in the crankcase falls below the threshold level.

NOTE

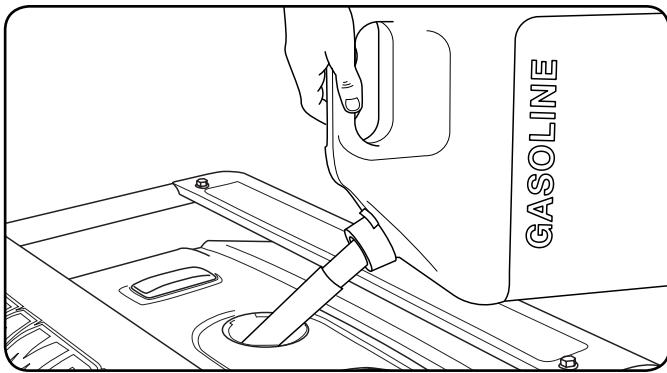
Check oil often during the break-in period. Refer to the Maintenance section for recommended service intervals.

NOTE

The generator rotor has a sealed, pre-lubricated ball bearing that requires no additional lubrication for the life of the bearing.

Add Fuel

1. Use clean, fresh, regular unleaded fuel with a minimum octane rating of 85 and an ethanol content of less than 10% by volume.
2. DO NOT mix oil with fuel.
3. Clean the area around the fuel cap.
4. Remove the fuel cap.
5. Slowly add fuel to the tank. DO NOT OVERFILL. Fuel can expand after filling. A minimum of ¼ in. (6.4 mm) of space left in the tank is required for fuel expansion, more than ¼ in. (6.4 mm) is recommended. Fuel can be forced out of the tank as a result of expansion if it is overfilled, and can affect the stable running condition of the product. When filling the tank, it is recommended to leave enough space for the fuel to expand.



6. Screw on the fuel cap and wipe away any spilled fuel.

⚠ CAUTION

Use regular unleaded gasoline with a minimum octane rating of 85.

Do not mix oil and gasoline.
 Fill tank to approximately ¼ in. (6.4 mm) below the top of the tank to allow for fuel expansion.
 DO NOT pump gas directly into the generator at the gas station. Use an approved container to transfer the fuel to the generator.
 DO NOT fill fuel tank indoors.
 DO NOT fill fuel tank when the engine is running or hot.
 DO NOT overfill the fuel tank.
 DO NOT light cigarettes or smoke when filling the fuel tank.

⚠ WARNING

Pouring fuel too fast through the fuel screen may result in blow back of fuel at the operator while filling.

Add Fuel Cont'd.

NOTE

Our engines work well with 10% or less ethanol blend fuels. When using blended fuels there are some issues worth noting:

- Ethanol-gasoline blends can absorb more water than gasoline alone.
- These blends can eventually separate, leaving water or a watery goo in the tank, fuel valve and carburetor.
- With gravity-fed fuel supplies, this compromised fuel can be drawn into the carburetor and cause damage to the engine and/or potential hazards.
- There are only a few suppliers of fuel stabilizer that are formulated to work with ethanol blend fuels.
- Any damages or hazards caused by using improper fuel, improperly stored fuel, and/or improperly formulated stabilizers, are not covered by manufacture's warranty.

It is advisable to always shut off the fuel supply, run the engine to fuel starvation and drain the tank when the equipment is not in use for more than 30 days.

Grounding

Your generator must be properly connected to an appropriate ground to help prevent electric shock.

⚠ WARNING

Failure to properly ground the generator can result in electric shock.

A ground terminal connected to the frame of the generator has been provided on the power panel. For remote grounding, connect a length of heavy gauge (12 AWG minimum) copper wire between the generator ground terminal and a copper rod driven into the ground. We strongly recommend that you consult with a qualified electrician to ensure compliance with local electrical codes.

OPERATION

Generator Location

NEVER operate the generator inside any building, including garages, basements, crawlspaces and sheds, enclosure or compartment, including the generator compartment of a recreational vehicle. Please consult your local authority. In some areas, generators must be registered with the local utility. Generators used at construction sites may be subject to additional rules and regulations. Generators should be on a flat, level surface at all times. (Even while not in operation) Generators must have at least 5 ft. (1.5 m) of clearance from all combustible material. In addition to clearance from all combustible material, generators must also have at least 3 ft. (91.4 cm) of clearance on all sides to allow for adequate cooling, maintenance and servicing. Generators should never be started or operated in the back of a SUV, camper, trailer, in the bed of a truck (regular, flat or otherwise), under staircases/stairwells, next to walls or buildings, or in any other location that will not allow for adequate cooling of the generator and/or the muffler. DO NOT contain generators during operation. Allow generators to properly cool before transport or storage.

Place the generator in a well-ventilated area. DO NOT place the generator near vents or intakes where exhaust fumes could be drawn into occupied or confined spaces. Carefully consider wind and air currents when positioning generator.

Failure to follow proper safety precautions may void manufacturer's warranty.

WARNING

Do not operate or store the generator in rain, snow, or wet weather.

Using a generator or electrical appliance in wet conditions, such as rain or snow, or near a pool or sprinkler system, or when your hands are wet, could result in electrocution.

WARNING

During operation the muffler and exhaust fumes produced will become hot. If adequate cooling and breathing space are not supplied, or if the generator is blocked or contained, temperatures can become extremely heated and may lead to fire.

Grounding

The generator system ground connects the frame to the ground terminals on the power panel.

- The generator (stator winding) is isolated from the frame and from the AC receptacle ground pin.
- Electrical devices that require a grounded receptacle pin connection will not function if the receptacle ground pin is not functional.

Surge Protection

CAUTION

Voltage fluctuation may impair the proper functioning of sensitive electronic equipment.

Electronic devices, including computers and many programmable appliances use components that are designed to operate within a narrow voltage range and may be affected by momentary voltage fluctuations. While there is no way to prevent voltage fluctuations, you can take steps to protect sensitive electronic equipment.

1. *Install UL1449, CSA-listed, plug-in surge suppressors on the outlets feeding your sensitive equipment.* Surge suppressors come in single- or multi-outlet styles. They're designed to protect against virtually all short-duration voltage fluctuations.

Recoil Start

1. Make certain the generator is on a flat, level surface.
2. Turn off all electrical loads connected to the generator. Never start or stop the generator with electrical devices plugged in and turned on.
3. Turn the Fuel Valve to the “ON” position.
4. Press the Ignition Switch to “ON”.
5. Move the choke lever to the “CHOKE” position.
6. Pull the starter cord slowly until resistance is felt and then pull rapidly.
7. Do not over-choke. As soon as engine starts, move the choke lever to the “RUN” position.

NOTE

Keep choke lever in “Choke” position for only 1 pull of the recoil starter. After first pull, move choke lever to the “Run” position for up to the next 3 pulls of the recoil starter. Too much choke leads to spark plug fouling/engine flooding due to the lack of incoming air. This will cause the engine not to start.

NOTE

If the engine starts but does not continue to run make certain that the generator is on a flat, level surface. The engine is equipped with a low oil sensor that will prevent the engine from running when the oil level falls below a critical threshold.

Connecting Electrical Loads

1. Let the engine stabilize and warm up for a few minutes after starting
2. Plug in and turn on the desired 120 Volt AC single phase, 60 Hz electrical loads.
 - DO NOT connect 3-phase loads to the generator.
 - DO NOT connect 50 Hz loads to the generator.
 - DO NOT overload the generator.

NOTE

Connecting a generator to your electric utility company’s power lines or to another power source may be against the law. In addition this action, if done incorrectly, could damage your generator and appliances and could cause serious injury or even death to you or a utility worker who may be working on nearby power lines. If you plan to run a portable electric generator during an outage, please notify your electric utility company immediately and remember to plug your appliances directly into the generator. Do not plug the generator into any electric outlet in your home. Doing so could create a connection to the utility company power lines. You are responsible for ensuring that your generator’s electricity does not feed back into the electric utility power lines.

If the generator will be connected to a building electrical system, consult your local utility company or a qualified electrician. Connections must isolate generator power from utility power and must comply with all applicable laws and codes.

Stopping the Engine

1. Turn off and unplug all electrical loads. Never start or stop the generator with electrical devices plugged in or turned on.
2. Let the generator run at no-load for several minutes to stabilize internal temperatures of the engine and generator.
3. Turn the Fuel Valve to the “OFF” position.
4. Let the engine run until fuel starvation has stopped the engine. This usually takes a few minutes.
5. Press the engine switch to the “OFF” position.

Important: Always ensure that the Fuel Valve and the Engine Switch are in the “OFF” position when the engine is not in use.

NOTE

If the engine will not be used for a period of two (2) weeks or longer, please see the Storage section for proper engine and fuel storage.

OPERATION

Do Not Overload Generator

Capacity

Follow these simple steps to calculate the running and starting watts necessary for your purposes.

1. Select the electrical devices you plan on running at the same time.
2. Total the running watts of these items. This is the amount of power you need to keep your items running.
3. Identify the highest starting wattage of all devices identified in step 1. Add this number to the number calculated in step 2. Surge wattage is the extra burst of power needed to start some electric driven equipment. Following the steps listed under "Power Management" will guarantee that only one device will be starting at a time.

Power Management

Use the following formula to convert voltage and amperage to watts:

$$\text{Volts} \times \text{Amps} = \text{Watts}$$

To prolong the life of your generator and attached devices, follow these steps to add electrical load:

1. Start the generator with no electrical load attached
2. Allow the engine to run for several minutes to stabilize.
3. Plug in and turn on the first item. It is best to attach the item with the largest load first.
4. Allow the engine to stabilize.
5. Plug in and turn on the next item.
6. Allow the engine to stabilize.
7. Repeat steps 5-6 for each additional item.

NOTE

Never exceed the specified capacity when adding loads to the generator.

Operation at High Altitude

The density of air at high altitude is lower than at sea level. Engine power is reduced as the air mass and air-fuel ratio decrease. Engine power and generator output will be reduced approximately 3½% for every 1000 feet of elevation above sea level. This is a natural trend and cannot be changed by adjusting the engine. At high altitudes increased exhaust emissions can also result due to the increased enrichment of the air fuel ratio. Other high altitude issues can include hard starting, increased fuel consumption and spark plug fouling. To alleviate high altitude issues other than the natural power loss, Champion Power Equipment can provide a high altitude carburetor main jet. The alternative main jet and installation instructions can be obtained by contacting Customer Support. Installation instructions are also available in the Technical Bulletin area of the Champion Power Equipment internet site.

The part number and recommended minimum altitude for the application of the high altitude carburetor main jet is listed in the table below.

In order to select the correct high altitude main jet it is necessary to identify the carburetor model. For this purpose, a code is stamped on the side of the carburetor. Select the correct main jet part number corresponding to the carburetor code found on your particular carburetor.

| Carburetor Code | Main Jet | Part Number | Altitude |
|-----------------|----------|-------------------|----------------------------|
| P19-2-Z | Standard | 26.131017.20.Z | 3500 Feet (1067 Meters) |
| | Altitude | 26.131017.20.01.Z | |
| P19-2-H | Standard | 26.131017.20.H | |
| | Altitude | 26.131017.20.01.H | |
| P19-2-Y | Standard | 26.131017.20.Y | |
| | Altitude | 26.131017.20.01.Y | |

WARNING

Operation using the alternative main jet at elevations lower than the recommended minimum altitude can damage the engine. For operation at lower elevations, the standard main jet must be used. Operating the engine with the wrong engine configuration at a given altitude may increase its emissions and decrease fuel efficiency and performance.

The owner/operator is responsible for all periodic maintenance.

⚠ WARNING

Never operate a damaged or defective generator.

⚠ WARNING

Tampering with the factory set governor will void your warranty.

⚠ WARNING

Improper maintenance will void your warranty.

NOTE

Maintenance, replacement, or repair of emission control devices and systems may be performed by any non-road engine repair establishment or individual.

Complete all scheduled maintenance in a timely manner. Correct any issue before operating the generator.

NOTE

For service or parts assistance, contact our help line at **1-877-338-0999**

Engine Maintenance

To prevent accidental starting, remove and ground spark plug wire before performing any service.

Oil

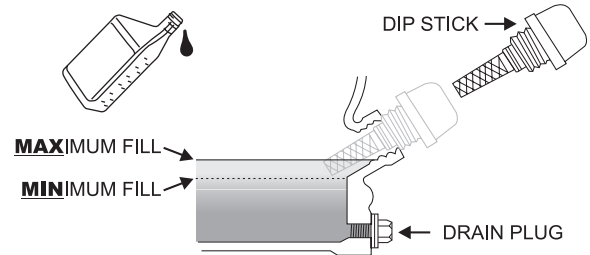
Change oil when the engine is warm. Refer to the oil specification to select the proper grade of oil for your operating environment.

1. Remove the oil drain plug with a 12 mm socket and extension (not included).
2. Allow the oil to drain completely.
3. Replace the drain plug.
4. Remove oil fill cap/dipstick to add oil.
5. Add up to 0.6 qt. (0.6 L) of oil and replace oil fill cap/dipstick. **DO NOT OVERFILL.**
6. Dispose of used oil at an approved waste management facility.

Oil Cont'd.

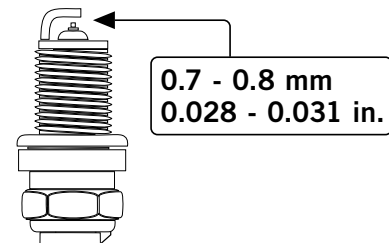
NOTE

Once oil has been added, a visual check should show oil about 1-2 threads from running out of the fill hole. If using the dipstick to check oil level, **DO NOT** screw in the dipstick while checking.



Spark Plugs

1. Remove the spark plug cable from the spark plug.
2. Use a 13/16 in. or 21 mm socket to remove the plug.
3. Inspect the electrode on the plug. It must be clean and not worn to produce the spark required for ignition.
4. Make certain the spark plug gap is 0.7 - 0.8 mm or (0.028 - 0.031 in.).



5. Refer to the spark plug recommendation chart when replacing the plug.
6. Carefully thread the plug into the engine.
7. Use the spark plug tool to firmly install the plug.
8. Attach the spark plug wire to the plug.

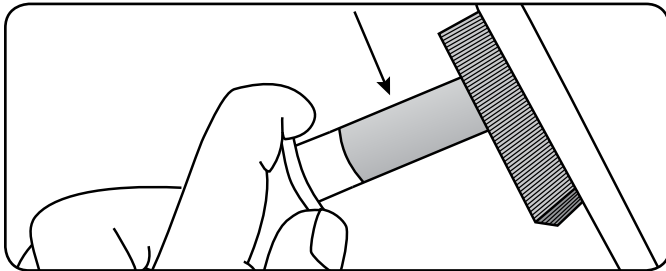
Air Filter

1. Remove the snap-on cover holding the air filter to the assembly.
2. Remove the foam element.
3. Wash in liquid detergent and water. Squeeze thoroughly dry in a clean cloth.
4. Saturate in clean engine oil.
5. Squeeze in a clean, absorbent cloth to remove all excess oil.
6. Place the filter in the assembly.
7. Reattach the air filter cover and snap in place.

MAINTENANCE AND STORAGE

Spark Arrester

1. Allow the engine to cool completely before servicing the spark arrester.
2. Remove the two screws holding the cover plate which retains the end of the spark arrester to the muffler.
3. Remove the spark arrester screen.
4. Carefully remove the carbon deposits from the spark arrester screen with a wire brush.
5. Replace the spark arrester if it is damaged.
6. Position the spark arrester in the muffler and attach with the two screws.



! CAUTION

Failure to clean the spark arrester will result in degraded engine performance.

NOTE

Federal and local laws and administrative requirements indicate when and where spark arresters are required. When ordered, spark arresters are required for operation of this generator in National Forest lands. In California, this generator must not be used on any forest-covered land, brush-covered land, or grass-covered land unless the engine is equipped with a spark arrester.

Cleaning

! CAUTION

DO NOT spray engine with water.

Water can contaminate the fuel system.

Use a damp cloth to clean exterior surfaces of the engine.
 Use a soft bristle brush to remove dirt and oil.
 Use an air compressor (25 PSI) to clear dirt and debris from the engine.

Adjustments

The air-fuel mixture is not adjustable. Tampering with the governor can damage your generator and your electrical devices and will void your warranty. CPE recommends that you contact our service line at **1-877-338-0999** for all other service and/or adjustment needs.

Maintenance Schedule

Follow the service intervals indicated in the following maintenance schedule.

Service your generator more frequently when operating in adverse conditions.

Contact our helpline at **1-877-338-0999** to locate the nearest Champion Power Equipment certified service dealer for your generator or engine maintenance needs.

| Every 8 hours or daily | |
|---------------------------------|---|
| | Check oil level |
| | Clean around air intake and muffler |
| First 5 Hours | |
| | Change oil |
| Every 50 hours or every season | |
| | Clean air filter |
| | Change oil if operating under heavy load or in hot environments |
| Every 100 hours or every season | |
| | Change oil |
| | Clean/Adjust spark plug |
| | Check/Adjust valve clearance* |
| | Clean spark arrester |
| | Clean fuel tank and filter* |
| Every 250 hours | |
| | Clean combustion chamber* |
| Every 3 years | |
| | Replace fuel line |

*To be performed by knowledgeable, experienced owners or Champion Power Equipment certified dealers.

Generator Maintenance

Make certain that the generator is kept clean and stored properly. Only operate the unit on a flat, level surface in a clean, dry operating environment. DO NOT expose the unit to extreme conditions, excessive dust, dirt, moisture or corrosive vapors.

CAUTION

DO NOT use a garden hose to clean the generator.

Water can enter the generator through the cooling slots and damage the generator windings.

Use a damp cloth to clean exterior surfaces of the generator. Use a soft bristle brush to remove dirt and oil. Use an air compressor (25 PSI) to clear dirt and debris from the generator. Inspect all air vents and cooling slots to ensure that they are clean and unobstructed.

Storage

The generator should be started at least once every 14 days and allowed to run for at least 20 minutes. For longer term storage, please follow these guidelines.

Generator Storage

1. Add a properly formulated fuel stabilizer to the tank.
2. Be sure all appliances are disconnected from the generator.
3. Run the generator for a few minutes so the treated fuel cycles through the fuel system and carburetor.
4. Turn the fuel valve to the "Off" position.
5. Let the generator run until fuel starvation has stopped the engine. This usually takes a few minutes.
6. The generator needs to cool completely before cleaning and storage.
7. Clean the generator according to the maintenance section.
8. Change the oil.
9. Remove the spark plug and pour about 1/2 ounce (14.8 mL) of oil into the cylinder. Crank the engine slowly to distribute the oil and lubricate the cylinder.
10. Reattach the spark plug.
11. Store the unit in a clean, dry place out of direct sunlight.

Generator Storage Cont'd.

NOTE

Our engines work well with 10% or less ethanol blend fuels. When using blended fuels there are some issues worth noting:

- Ethanol-gasoline blends can absorb more water than gasoline alone.
- These blends can eventually separate, leaving water or a watery goo in the tank, fuel valve and carburetor.
- With gravity-fed fuel supplies, this compromised fuel can be drawn into the carburetor and cause damage to the engine and/or potential hazards.
- There are only a few suppliers of fuel stabilizer that are formulated to work with ethanol blend fuels.
- Any damages or hazards caused by using improper fuel, improperly stored fuel, and/or improperly formulated stabilizers, are not covered by manufacture's warranty.

It is advisable to always shut off the fuel supply, run the engine to fuel starvation and drain the tank when the equipment is not in use for more than 30 days.

DANGER

Generator exhaust contains odorless and colorless carbon monoxide gas.

To avoid accidental or unintended ignition of your generator during periods of storage, the following precautions should be followed:

- When **storing the generator for short or extended periods of time** make sure that the Engine Switch and the Fuel Valve are set in the **OFF** position.

SPECIFICATIONS

Engine Specifications

- Model YF168FD-2-010
- Displacement 196cc
- Type 4-Stroke OHV
- Start Type Recoil

Generator Specifications

- Model 46597
- Running Wattage 3500 Watts
- Starting Wattage 4000 Watts
- AC Load 120 V
- Phase Single
- Frequency 60 Hz
- Fuel Capacity 3.8 gal. (14.4 L)
- Gross Weight 117.5-121.5 lb. (53.3-55.1 kg)
- Net Weight 107.8 lb. (48.9 kg)
- Height 22.4 in. (57 cm)
- Width 23.2 in. (59 cm)
- Length 26.3 in. (66.7 cm)

*Product carton styles may vary.

Fuel

Fuel capacity is 3.8 gal. (14.4 L). Use regular unleaded gasoline with a minimum octane rating of 85 and an ethanol content of less than 10% by volume.

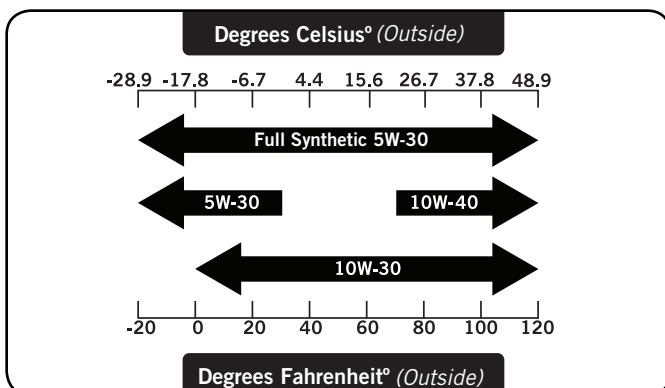
Oil

Use 10W-30 automotive oil.

Oil capacity is up to 0.6 qt. (0.6 L).

DO NOT OVERFILL.

Please reference the following chart for recommended oil types for use in the generator.



NOTE

Weather will affect engine oil and engine performance. Change the type of engine oil used based on weather conditions to suit the engine needs.

Spark Plugs

OEM spark plug: NHSP F6RTC

Replacement spark plug: NGK BPR6ES or equivalent
Make certain the spark plug gap is 0.7 - 0.8 mm or (0.028 - 0.031 in.).

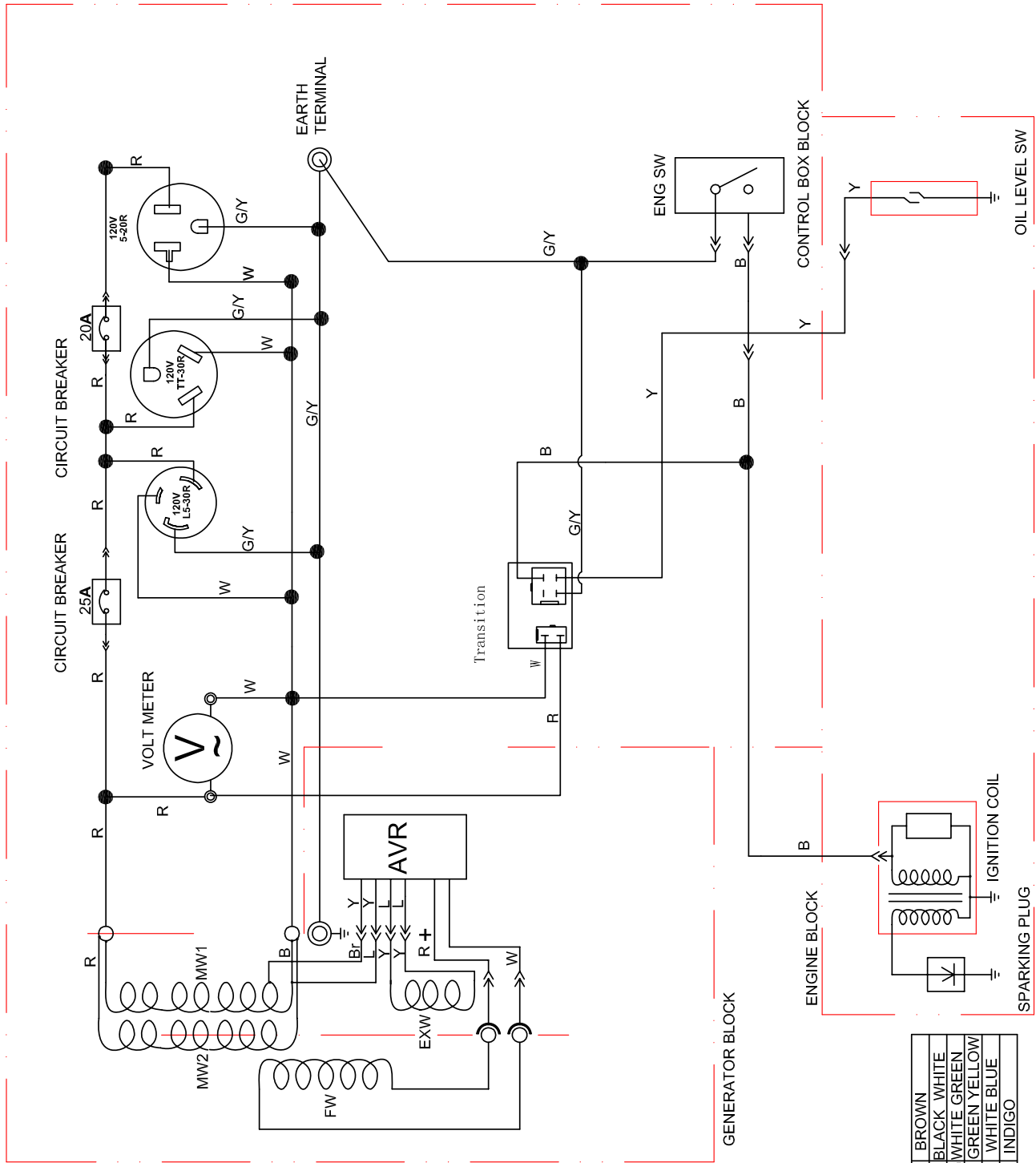
Maintenance Valve Clearance

- Intake: 0.13 – 0.17 mm (0.005 – 0.007 in.)
 - Exhaust: 0.18 – 0.22 mm (0.007 – 0.009 in.)
- Note: Tech bulletin regarding the valve adjustment procedure is on www.championpowerequipment.com.

An Important Message About Temperature

Your Champion Power Equipment product is designed and rated for continuous operation at ambient temperatures up to 40°C (104°F). When your product is needed your product may be operated at temperatures ranging from -15°C (5°F) to 50°C (122°F) for short periods. If the product is exposed to temperatures outside this range during storage, it should be brought back within this range before operation. In any event, the product must always be operated outdoors, in a well-ventilated area and away from doors, windows and other vents.

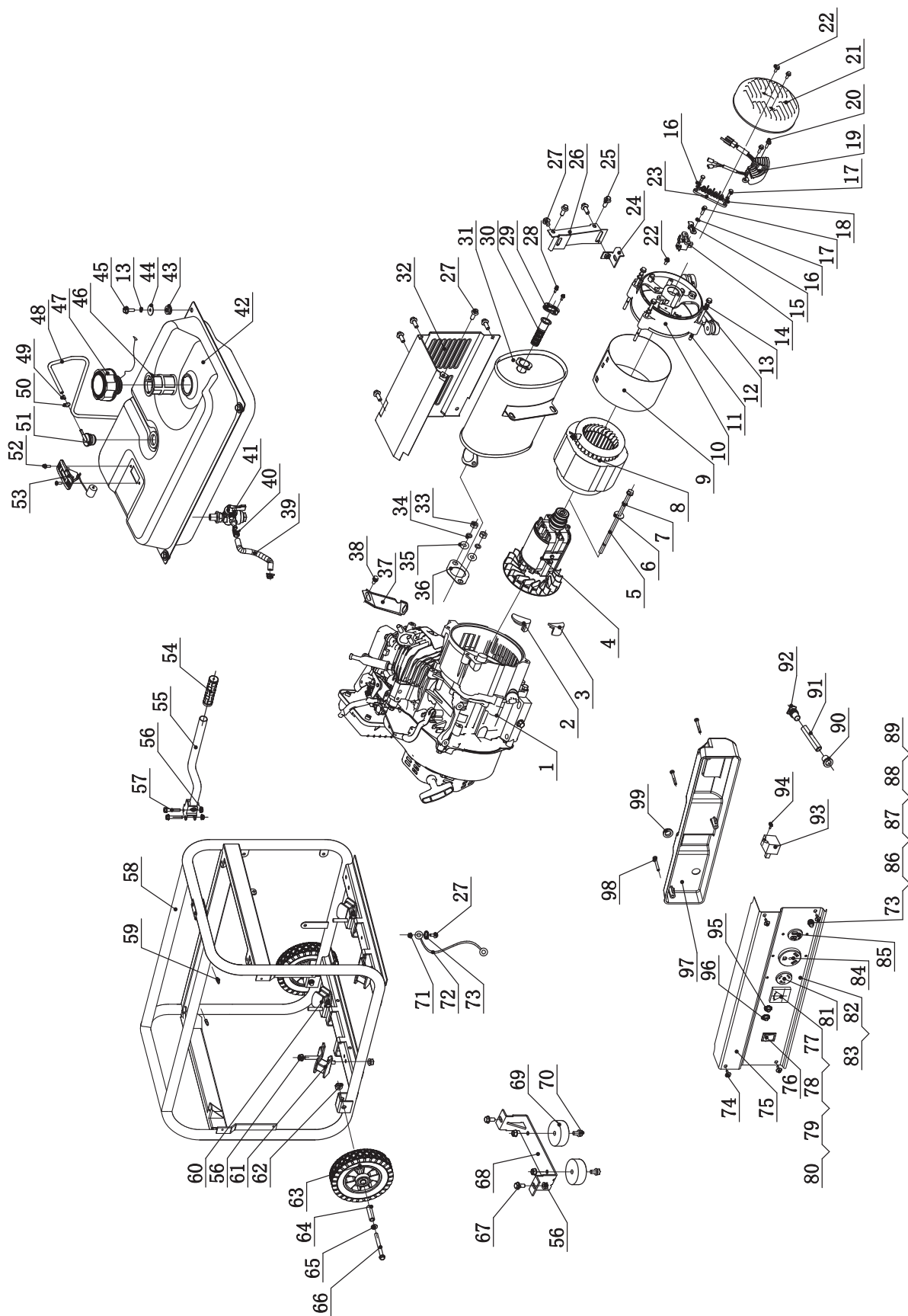
Wiring Diagram



| | | | |
|---|--------|-----|--------------|
| B | BLACK | Br | BROWN |
| Y | YELLOW | B/W | BLACK WHITE |
| L | BLUE | W/G | WHITE GREEN |
| G | GREEN | G/Y | GREEN YELLOW |
| R | RED | W/L | WHITE BLUE |
| W | WHITE | In | INDIGO |

SPECIFICATIONS

Parts Diagram

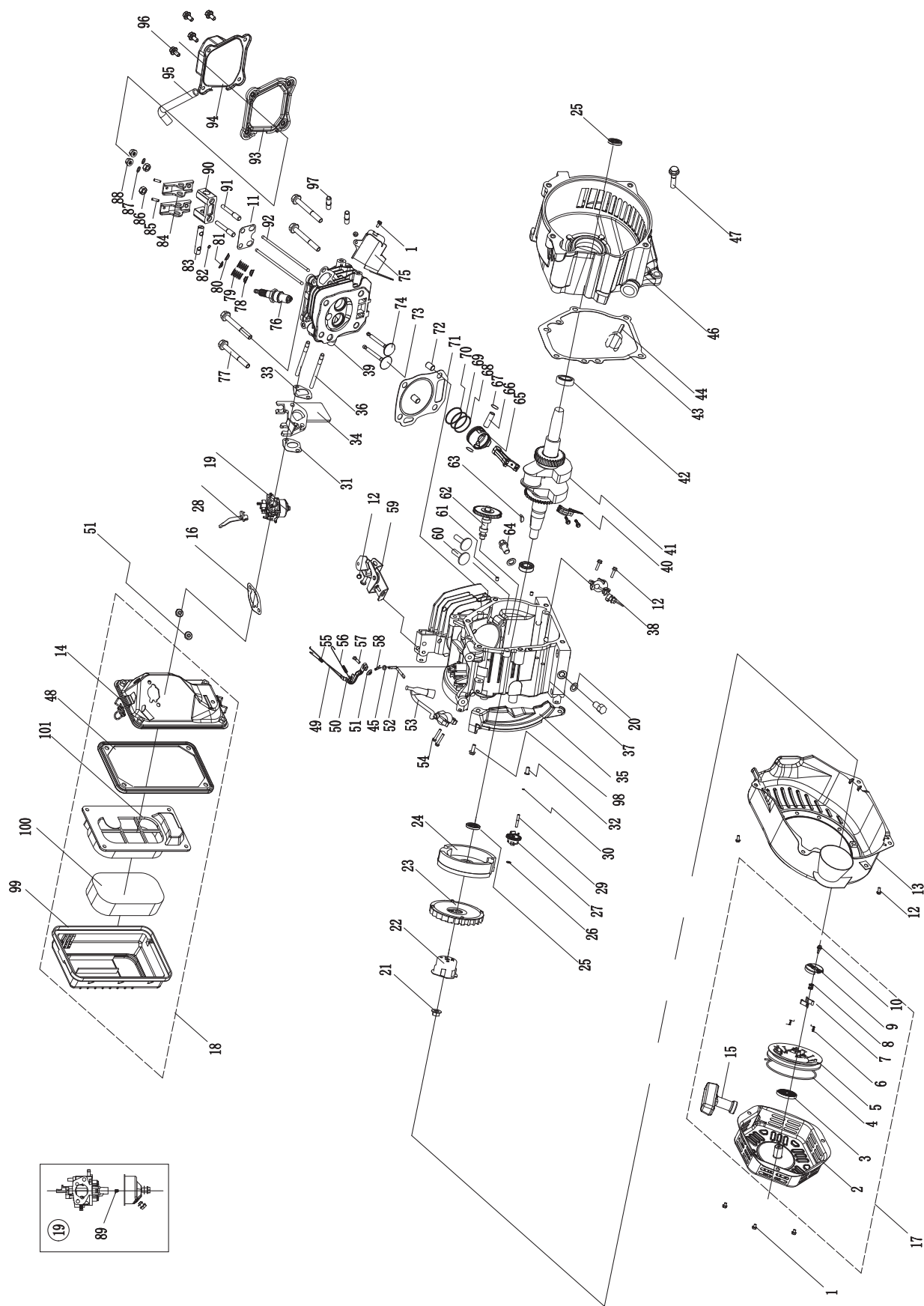


| # | Part Number | Description | Qty |
|----|------------------|------------------------------------|-----|
| 1 | 26.401 | Engine, 196cc | 1 |
| 2 | 122.190005.00 | Rubber, Fore-Cover, B | 1 |
| 3 | 122.190005.01 | Rubber, Fore-Cover, A | 1 |
| 4 | 123.191100.19 | Rotor Assembly, Al, 120 mm, No DC | 1 |
| 5 | 2.08.022 | Flange Bolt M8x242 | 1 |
| 6 | 1.96.08 | Washer Ø8 | 1 |
| 7 | 1.7244.08 | Spring Washer Ø8 | 1 |
| 8 | 123.191200.19 | Stator Assembly, Al, 120 mm, No DC | 1 |
| 9 | 123.191002.01 | Stator Cover | 1 |
| 10 | 122.190002.00 | End Housing | 1 |
| 11 | 2.08.065 | Flange Bolt M6x168 | 4 |
| 12 | 1.97.1.06 | Washer Ø6 | 4 |
| 13 | 1.93.06 | Spring Washer Ø6 | 8 |
| 14 | 122.190300.00 | Carbon Brush Assembly | 1 |
| 15 | 122.190004.01 | Pinch, Carbon Brush | 1 |
| 16 | 1.93.05 | Spring Washer Ø5 | 3 |
| 17 | 1.5783.0516 | Bolt M5x16 | 3 |
| 18 | 1.97.1.05 | Washer Ø5 | 2 |
| 19 | 122.190200.03 | AVR (2KW CPE) | 1 |
| 20 | 1.16674.0516 | Flange Bolt M5x16 | 2 |
| 21 | 122.190003.00.48 | Generator End Cover, Yellow | 1 |
| 22 | 1.16674.0512.2 | Flange Bolt M5x12 | 3 |
| 23 | 122.190400.00 | Terminal Block | 1 |
| 24 | 122.190018.00 | Bracket I, Muffler | 1 |
| 25 | 1.16674.0820 | Flange Bolt M8x20 | 3 |
| 26 | 122.190018.01 | Bracket II, Muffler | 1 |
| 27 | 1.5789.0612 | Flange Bolt M6x12 | 7 |
| 28 | 1.9074.4.0514 | Screw And Washer Assembly M5x14 | 2 |
| 29 | 46.101503.08 | Plate, Spark Arrester | 1 |
| 30 | 46.101300.08 | Spark Arrester Assembly | 1 |
| 31 | 26.101000.00 | Muffler Assembly | 1 |
| 32 | 23.102000.03.2 | Muffler Cover | 1 |
| 33 | 1.6175.08 | Nut M8 | 2 |
| 34 | 1.93.08 | Spring Washer Ø8 | 2 |
| 35 | 1.848.08 | Washer Ø8 | 2 |
| 36 | 26.100001.00 | Muffler Gasket | 1 |
| 37 | 23.090006.21 | Holder, Air Cleaner | 1 |
| 38 | 1.5789.0608 | Flange Bolt M6x8 | 1 |
| 39 | 23.070011.04 | Pipe, Fuel (6.1 in.) | 1 |
| 40 | 2.06.007 | Clamp (Ø8xb6) | 2 |
| 41 | 122.070400.05 | Fuel Cock | 1 |
| 42 | 122.071000.25.48 | Fuel Tank, 14.4 L, Yellow | 1 |
| 43 | 122.070015.01 | Mount Vibration, Fuel Tank | 4 |
| 44 | 2.03.004 | Washer (Ø24xØ6.5x1.5) | 4 |
| 45 | 1.5789.0620.2 | Flange Bolt M6x20 | 4 |
| 46 | 23.070301.00 | Fuel Filter | 1 |
| 47 | 24.070100.00 | Fuel Tank Cap | 1 |
| 48 | 24.070014.05 | Pipe, Reversal Valve | 1 |
| 49 | 24.070030.00 | Hole, Breather Tube | 1 |

| # | Part Number | Description | Qty |
|----|------------------|--|-----|
| 50 | 2.06.006 | Clamp (Ø7xØ1) | 1 |
| 51 | 24.070800.00 | Reversal Valve | 1 |
| 52 | 1.819.0510 | Screw M5x10 | 2 |
| 53 | 122.072000.00 | Fuel Meter Assembly | 1 |
| 54 | 152.200702.00 | Cover, Handle | 1 |
| 55 | 122.200700.03.2 | Handle | 1 |
| 56 | 1.6177.1.08 | Flange Lock Nut M8 | 14 |
| 57 | 1.5789.0845 | Flange Bolt M8x45 | 2 |
| 58 | 6.2.263.318.2 | Frame | 1 |
| 59 | 2.05.001 | Clamp Ø8x6.5 | 2 |
| 60 | 122.201200.07 | Motor Mount, II | 2 |
| 61 | 122.201200.06 | Motor Mount, I | 2 |
| 62 | 1.6182.10 | Lock Nut M10 | 2 |
| 63 | 122.201701.05.48 | 8 in. Wheel, Yellow | 2 |
| 64 | 122.200016.01 | Bushing (Ø16xØ10.5x58.5) | 2 |
| 65 | 1.96.10 | Washer Ø10 | 2 |
| 66 | 1.5782.10105 | Bolt M10x105 | 2 |
| 67 | 1.5789.0816 | Flange Bolt M8x16 | 2 |
| 68 | 152.200002.00.2 | Support Leg | 1 |
| 69 | 152.201400.00 | Rubber, Support | 2 |
| 70 | 1.5789.0825 | Flange Bolt M8x25 | 2 |
| 71 | 1.6177.1.06 | Flange Lock Nut M6 | 1 |
| 72 | 5.1900.026 | Grounding Line, 150 mm | 1 |
| 73 | 1.862.06 | Lock Washer Ø6 | 2 |
| 74 | 2.08.068.2 | Flange Bolt M5x13 | 4 |
| 75 | 122.01.104.2 | Control Panel | 1 |
| 76 | 5.1000.004.3 | Ignition Switch | 1 |
| 77 | 5.1400.003 | Voltage Meter | 1 |
| 78 | 1.848.03.2 | Washer Ø3 | 4 |
| 79 | 1.859.03.2 | Spring Washer Ø3 | 4 |
| 80 | 1.6175.03.2 | Nut M3 | 4 |
| 81 | 5.1120.008 | Receptacle L5-30R | 1 |
| 82 | 1.9074.4.0414.1 | Screw And Washer Assembly M4x14, Black | 6 |
| 83 | 1.6177.1.04.1 | Flange Lock Nut M4, Black | 6 |
| 84 | 5.1120.034 | Receptacle TT-30R | 1 |
| 85 | 5.1120.030 | Receptacle 5-20R | 1 |
| 86 | 1.5783.0622.3 | Bolt M6x22, Green | 1 |
| 87 | 1.6175.06.3 | Nut M6, Green | 2 |
| 88 | 1.97.1.06.3 | Washer Ø6, Green | 2 |
| 89 | 1.93.06.3 | Spring Washer Ø6, Green | 2 |
| 90 | 122.210003.01 | Plug, Control Box | 1 |
| 91 | 5.1330.001 | Sheath, Wire | 1 |
| 92 | 122.210003.03 | Plug, End Cover | 1 |
| 93 | 5.1810.001 | Over Voltage Protector | 1 |
| 94 | 1.823.0514 | Screw M5x14 | 1 |
| 95 | 5.1210.920 | AC 20A Breaker, Push Button | 1 |
| 96 | 5.1210.925 | AC 25A Breaker, Push Button | 1 |
| 97 | 122.210002.02 | Control Box | 1 |
| 98 | 1.9074.1.0538.2 | Screw And Washer Assembly M5x38 | 3 |
| 99 | 122.210003.00 | Grommet | 1 |

SPECIFICATIONS

Engine Parts Diagram



| # | Part Number | Description | Qty |
|----|-----------------|---|-----|
| 1 | 1.5789.0608 | Flange Bolt M6x8 | 5 |
| 2 | 22.061100.00.2 | Recoil Starter Cover, Black | 1 |
| 3 | 21.061005.00 | Recoil Starter Spring | 1 |
| 4 | 2.10.003 | Rope (Ø5x1550) | 1 |
| 5 | 21.061001.01 | Recoil Starter Reel | 1 |
| 6 | 45.060003.00 | Spring, Ratchet | 2 |
| 7 | 45.060002.00 | Starter Ratchet (Iron) | 2 |
| 8 | 45.060009.00 | Spring, Ratchet Guide | 1 |
| 9 | 45.060007.00 | Ratchet Guide | 1 |
| 10 | 45.060008.00 | Screw, Ratchet Guide | 1 |
| 11 | 24.040004.00 | Guide Plate Push Rod | 1 |
| 12 | 1.5789.0612 | Flange Bolt M6x12 | 8 |
| 13 | 24.080100.01.48 | Fan Cover, Yellow | 1 |
| 14 | 24.091100.21 | Base, Air Cleaner | 1 |
| 15 | 21.061300.00 | Recoil Handle | 1 |
| 16 | 24.130004.20 | Gasket, Air Cleaner | 1 |
| 17 | 22.061000.00 | Recoil Assembly | 1 |
| 18 | 24.091000.21 | Air Cleaner Assembly | 1 |
| 19 | 26.131000.20 | Carburetor | 1 |
| | 26.131000.21 | | |
| 20 | 2.03.016 | Washer, Drain Bolt (Ø10xØ16x1.5) | 2 |
| 21 | 2.02.006 | Nut (M14x1.5) | 1 |
| 22 | 21.060001.01 | Pulley, Starter | 1 |
| 23 | 23.080001.00 | Cooling Fan | 1 |
| 24 | 24.120100.06 | Flywheel | 1 |
| 25 | 2.11.001 | Oil Seal (Ø25xØ41.3x6) | 2 |
| 26 | 2.03.020.1 | Washer (Ø6.2xØ15x0.5), Black | 1 |
| 27 | 21.110100.00 | Gear, Governor | 1 |
| 28 | 23.130100.20 | Choke Lever | 1 |
| 29 | 21.110013.00 | Shaft, Governor Gear | 1 |
| 30 | 21.110011.00 | Clip, Governor Gear | 1 |
| 31 | 22.130003.00 | Gasket, Carburetor | 1 |
| 32 | 21.110012.01 | Bushing, Governor Gear (Iron) | 1 |
| 33 | 24.130002.00 | Gasket, Insulator | 1 |
| 34 | 23.130001.00 | Insulator, Carburetor | 1 |
| 35 | 23.080600.00 | Air Guide, Right Side | 1 |
| 36 | 2.01.003 | Stud Bolt M6x90 | 2 |
| 37 | 26.030100.00 | Crankcase (200) | 1 |
| 38 | 21.127000.02 | Oil Level Sensor | 1 |
| 39 | 26.010100.00 | Cylinder Head (168-2) | 1 |
| 40 | 23.050200.00 | Connecting Rod | 1 |
| 41 | 25.050100.11 | Crankshaft (A 200 Engine For Equipment) | 1 |
| 42 | 1.276.6205 | Bearing 6205 | 2 |
| 43 | 24.030008.00 | Gasket, Crankcase Cover | 1 |
| 44 | 22.031000.00.48 | Oil Dipstick Assembly, Yellow | 1 |
| 45 | 2.03.021.1 | Washer (Ø6.4xØ13x1) | 1 |
| 46 | 23.030007.01 | Cover, Crankcase (Engine For Equipment) | 1 |
| 47 | 1.5789.0832.0.8 | Flange Bolt M8x32 | 6 |
| 48 | 23.091002.21 | Seal, Air Cleaner | 1 |
| 49 | 23.110006.00 | Rod Governor | 1 |
| 50 | 21.110003.00 | Arm, Governor | 1 |

| # | Part Number | Description | Qty |
|-----|-----------------|---|-----|
| 51 | 1.6177.06 | Flange Nut M6 | 3 |
| 52 | 21.110001.00 | Shaft, Governor Arm | 1 |
| 53 | 22.123000.01 | Ignition Coil (silicon rubber EPA) | 1 |
| 54 | 1.5789.0625 | Flange Bolt M6x25 | 2 |
| 55 | 23.110005.01 | Spring, Throttle Return | 1 |
| 56 | 23.110007.00 | Spring, Governor | 1 |
| 57 | 2.08.040 | Bolt, Governor Arm (M6x21) | 1 |
| 58 | 21.110008.00 | Pin, Shaft | 1 |
| 59 | 23.111000.20 | Control Assembly (Engine For Equipment) | 1 |
| 60 | 25.040013.00 | Lifter, Valve | 2 |
| 61 | 2.04.001 | Dowel Pin (Ø9x14) | 2 |
| 62 | 26.041000.00 | Camshaft (200 EPA) | 1 |
| 63 | 2.14.012 | Woodruff Key (4x7.5x19) | 1 |
| 64 | 2.08.037 | Bolt, Drain (M10x1.25x25) | 2 |
| 65 | 26.050005.00 | Piston | 1 |
| 66 | 23.050003.00 | Wrist Pin | 1 |
| 67 | 2.09.001 | Circlip (Ø18xØ1) | 2 |
| 68 | 26.050303.00 | Ring, Oil | 1 |
| 69 | 26.050302.00 | Ring, Second Piston | 1 |
| 70 | 26.050301.00 | Ring, First Piston | 1 |
| 71 | 26.030009.00 | Gasket, Cylinder Head (168-2) | 1 |
| 72 | 2.04.003 | Dowel Pin (Ø10x14) | 2 |
| 73 | 23.040002.00 | Valve, Intake | 1 |
| 74 | 23.040006.00 | Valve, Exhaust | 1 |
| 75 | 26.080400.00 | Air Guide, Lower (200 G) | 1 |
| 76 | 2.15.002(F6RTC) | Spark Plug (F6RTC) | 1 |
| 77 | 1.5789.0855 | Flange Bolt M8x55 | 4 |
| 78 | 23.040017.00 | Oil Seal, Valve (Iron) | 2 |
| 79 | 21.040003.00 | Spring, Valve | 2 |
| 80 | 21.040007.00 | Retainer, Exhaust Valve Spring (up) | 1 |
| 81 | 21.040001.00 | Retainer, Intake Valve Spring (up) | 1 |
| 82 | 21.040008.00 | Rotator, Exhaust Valve | 1 |
| 83 | 24.040202.00 | Shaft, Rocker Arm | 1 |
| 84 | 22.040009.00 | Rocker Arm, Intake Valve | 2 |
| 85 | 22.040012.00 | Screw, Valve Adjustment | 2 |
| 86 | 21.040021.00 | Nut, Lock (M6x0.5) | 2 |
| 87 | 1.97.1.06 | Washer Ø6 | 2 |
| 88 | 1.6177.1.06 | Flange Lock Nut M6 | 2 |
| 89 | 26.131017.20 | Standard Main Jet | 1 |
| | 26.131017.20.01 | Altitude Main Jet | / |
| 90 | 24.040201.00 | Retainer, Rocker Arm | 1 |
| 91 | 23.040010.00 | Bolt, Rocker Arm | 2 |
| 92 | 23.040005.00 | Push Rod | 2 |
| 93 | 21.020002.01 | Gasket, Cylinder Head Cover | 1 |
| 94 | 24.021000.00 | Cylinder Head Cover (CPE) | 1 |
| 95 | 23.020001.02 | Breather Tube | 1 |
| 96 | 1.5789.0615 | Flange Bolt M6x15 | 4 |
| 97 | 2.01.010 | Stud Bolt (M8x35) | 2 |
| 98 | 1.5789.0620 | Flange Bolt M6x20 | 1 |
| 99 | 24.091200.20 | Cover, Air Cleaner | 1 |
| 100 | 23.091003.21 | Element, Air Cleaner | 1 |
| 101 | 23.091001.21 | Separator, Air Cleaner | 1 |

TROUBLESHOOTING

| Problem | Cause | Solution |
|--|-------------------------------------|--|
| Generator will not start | No fuel | Add fuel |
| | Faulty spark plug | Replace spark plug |
| | Unit loaded during start up | Remove load from unit |
| Generator will not start; Generator starts but runs roughly | Low oil level | Fill crankcase to the proper level Place generator on a flat, level surface |
| | Choke in the wrong position | Adjust choke |
| | Spark plug wire loose | Attach wire to spark plug |
| Generator shuts down during operation | Out of fuel | Fill fuel tank |
| | Low oil level | Fill crankcase to the proper level. Place generator on a flat, level surface |
| Generator cannot supply enough power or overheating | Generator is overloaded | Review load and adjust. See "Power Management" |
| | Insufficient ventilation | Check for air restriction. Move to a well ventilated area |
| No AC output | Cable not properly connected | Check all connections |
| | Connected device is defective | Replace defective device |
| | Circuit breaker is open | Reset circuit breaker |
| | Faulty brush assembly | Replace brush assembly (Service Center) |
| | Faulty AVR (auto voltage regulator) | Replace AVR (Service Center) |
| | Loose wiring | Inspect and tighten wiring connections |
| | Other | Contact the help line |
| Generator gallops | Engine governor defective | Contact the help line |
| Repeated circuit breaker tripping | Overload | Review load and adjust. See "Power Management" |
| | Faulty cords or device | Check for damaged, bare or frayed wires. Replace defective device |

For further technical support:

Technical Service

Mon – Fri 8:30 AM – 5:00 PM (PST/PDT)

Toll Free: 1-877-338-0999

tech@championpowerequipment.com

WARRANTY

WARRANTY*

CHAMPION POWER EQUIPMENT
3 YEAR LIMITED WARRANTY

Warranty Qualifications

Champion Power Equipment (CPE) will register this warranty upon receipt of your Warranty Registration Card and a copy of your sales receipt from one of CPE's retail locations as proof of purchase. Please submit your warranty registration and your proof of purchase within ten (10) days of the date of purchase.

Repair/Replacement Warranty

CPE warrants to the original purchaser that the mechanical and electrical components will be free of defects in material and workmanship for a period of three years (parts and labor) from the original date of purchase and 270 days (parts and labor) for commercial and industrial use. Transportation charges on product submitted for repair or replacement under this warranty are the sole responsibility of the purchaser. This warranty only applies to the original purchaser and is not transferable.

Do Not Return The Unit To The Place Of Purchase

Contact CPE's Technical Service and CPE will troubleshoot any issue via phone or e-mail. If the problem is not corrected by this method, CPE will, at its option, authorize evaluation, repair or replacement of the defective part or component at a CPE Service Center. CPE will provide you with a case number for warranty service. Please keep it for future reference. Repairs or replacements without prior authorization, or at an unauthorized repair facility, will not be covered by this warranty.

Warranty Exclusions

This warranty does not cover the following repairs and equipment:

Normal Wear

Products with mechanical and electrical components need periodic parts and service to perform well. This warranty does not cover repair when normal use has exhausted the life of a part or the equipment as a whole.

Installation, Use and Maintenance

This warranty will not apply to parts and/or labor if the product is deemed to have been misused, neglected, involved in an accident, abused, loaded beyond the product's limits, modified, installed improperly or connected incorrectly to any electrical component. Normal maintenance is not covered by this warranty and is not required to be performed at a facility or by a person authorized by CPE.

Other Exclusions

This warranty excludes:

- Cosmetic defects such as paint, decals, etc.
- Wear items such as filter elements, o-rings, etc.
- Accessory parts such as starting batteries, and storage covers.
- Failures due to acts of God and other force majeure events beyond the manufacturer's control.
- Problems caused by parts that are not original Champion Power Equipment parts.

When applicable, this warranty does not apply to products used for prime power in place of a utility.

Limits of Implied Warranty and Consequential Damage

Champion Power Equipment disclaims any obligation to cover any loss of time, use of this product, freight, or any incidental or consequential claim by anyone from using this product. THIS WARRANTY AND THE ATTACHED U.S. EPA, CARB and/or ECCC EMISSION CONTROL SYSTEM WARRANTIES (WHEN APPLICABLE) ARE IN LIEU OF ALL OTHER WARRANTIES, EXPRESS OR IMPLIED, INCLUDING WARRANTIES OF MERCHANTABILITY OR FITNESS FOR A PARTICULAR PURPOSE.

A unit provided as an exchange will be subject to the warranty of the original unit. The length of the warranty governing the exchanged unit will remain calculated by reference to the purchase date of the original unit.

This warranty gives you certain legal rights which may change from state to state or province to province. Your state or province may also have other rights you may be entitled to that are not listed within this warranty.

Contact Information

Address

Champion Power Equipment, Inc.
Customer Service
12039 Smith Ave.
Santa Fe Springs, CA 90670 USA
www.championpowerequipment.com

Customer Service

Mon – Fri 8:30 AM – 5:00 PM (PST/PDT)
Toll Free: 1-877-338-0999
info@championpowerequipment.com
Fax no.: 1-562-236-9429

Technical Service

Mon – Fri 8:30 AM – 5:00 PM (PST/PDT)
Toll Free: 1-877-338-0999
tech@championpowerequipment.com
24/7 Tech Support: 1-562-204-1188

*Except as otherwise stipulated in any of the following enclosed Emission Control System Warranties (when applicable) for the Emission Control System: U.S. Environment Protection Agency (EPA), California Air Resources Board (CARB) and/or Environment and Climate Change Canada (ECCC). Whichever warranty applies for the longer period, either this 3 year limited warranty or the applicable Emission Control System Warranty, shall supersede the other.

**Champion Power Equipment, Inc. (CPE),
United States Environment Protection Agency (U.S. EPA)
Emission Control System Warranty**

Your Champion Power Equipment (CPE) engine complies with U.S. EPA emission regulations.

YOUR WARRANTY RIGHTS AND OBLIGATIONS:

The US EPA AND CPE are pleased to explain the Federal Emission Control Systems Warranty on your 2017 small off-road engine and engine powered equipment. New engines and equipment must be designed, built and equipped, at the time of sale, to meet U.S. EPA regulations for small non-road engines. CPE warrants the emission control system on your small off-road engine and equipment for the period of time listed below, provided there has been no abuse, neglect, unapproved modification, or improper maintenance of your equipment.

Your emission control system may include parts such as the carburetor, fuel-injection system, the ignition system, catalytic converter and fuel lines. Also included may be hoses, belts, connectors and other emission related assemblies. Where a warrantable condition exists, CPE will repair your small off-road engine at no cost to you including diagnosis, parts and labor.

MANUFACTURER'S EMISSION CONTROL SYSTEM WARRANTY COVERAGE:

This emission control system is warranted for two years, subject to provisions set forth below. If, during the warranty period, emission related part on your engine is defective in materials or workmanship, the part will be repaired or replaced by CPE.

OWNER WARRANTY RESPONSIBILITIES:

As the small off-road engine owner, you are responsible for the performance of the required maintenance listed in your Owner's Manual. CPE recommends that you retain all your receipts covering maintenance on your small off-road engine, but CPE cannot deny warranty solely for the lack of receipts or for your failure to ensure the performance of all scheduled maintenance.

As the small off-road engine owner, you should however be aware that CPE may deny you warranty coverage if your small, off-road engine or a part has failed due to abuse, neglect, improper maintenance or unapproved modifications.

You are responsible for presenting your small off-road engine to an Authorized CPE service outlet or alternate service outlet as described in (3)(f.) below, CPE dealer or CPE, Santa Fe Springs, Ca. as soon as a problem exists. The warranty repairs should be completed in a reasonable amount of time, not to exceed 30 days.

If you have any questions regarding your warranty rights and responsibilities, you should contact:

Champion Power Equipment, Inc.
Customer Service
12039 Smith Ave.
Santa Fe Springs, CA 90670
1-877-338-0999
tech@championpowerequipment.com

EMISSION CONTROL SYSTEM WARRANTY

The following are specific provisions relative to your Emission Control System (ECS) Warranty Coverage.

1. APPLICABILITY: This warranty shall apply to 1997 and later model year small off-road engines. The ECS Warranty Period shall begin on the date the new engine or equipment is delivered to its original, end-use purchaser, and shall continue for 24 consecutive months thereafter.

2. GENERAL EMISSIONS WARRANTY COVERAGE

CPE warrants to the original, end-use purchaser of the new engine or equipment and to each subsequent purchaser that each of its small off-road engines is:

- a. Designed, built and equipped so as to conform to U.S. EPA emissions standards for spark-ignited engines at or below 19 kilowatts.
- b. Free from defects in materials and workmanship that cause the failure of a warranted part to be identical in all material respects to the part as described in the engine manufacturer's application for certification for a period of two years.

3. THE WARRANTY ON EMISSION-RELATED PARTS WILL BE INTERPRETED AS FOLLOWS:

a. Any warranted part that is not scheduled for replacement as required maintenance in the Owners Manual shall be warranted for the ECS Warranty Period. If any such part fails during the ECS Warranty Period, it shall be repaired or replaced by CPE according to Subsection "d" below. Any such part repaired or replaced under the ECS Warranty shall be warranted for any remainder of the ECS Warranty Period.

b. Any warranted, emissions-related part which is scheduled only for regular inspection as specified in the Owners Manual shall be warranted for the ECS Warranty Period. A statement in such written instructions to the effect of "repair or replace as necessary", shall not reduce the ECS Warranty Period. Any such part repaired or replaced under the ECS Warranty shall be warranted for the remainder of the ECS Warranty Period.

c. Any warranted, emissions-related part which is scheduled for replacement as required maintenance in the Owner's Manual shall be warranted for the period of time prior to the first scheduled replacement point for that part. If the part fails prior to the first scheduled replacement, the part shall be repaired or replaced by CPE according to Subsection "d" below. Any such emissions-related part repaired or replaced under the ECS Warranty, shall be warranted for the remainder of the ECS Warranty Period prior to the first scheduled replacement point for such emissions-related part.

d. Repair or replacement of any warranted, emissions-related part under this ECS Warranty shall be performed at no charge to the owner at a CPE Authorized Service Outlet.

e. The owner shall not be charged for diagnostic labor which leads to the determination that a part covered by the ECS Warranty is in fact defective, provided that such diagnostic work is performed at a CPE Authorized Service Outlet.

f. CPE shall pay for covered emissions warranty repairs at non-authorized service outlets under the following circumstances:

i. The service is required in a population center with a population over 100,000 according to U.S. Census 2000 without a CPE Authorized Service Outlet AND

ii. The service is required more than 100 miles from a CPE Authorized Service Outlet. The 100 mile limitation does not apply in the following states: Alaska, Arizona, Colorado, Hawaii, Idaho, Montana, Nebraska, Nevada, New Mexico, Oregon, Texas, Utah and Wyoming.

g. CPE shall be liable for damages to other original engine components or approved modifications proximately caused by a failure under warranty of an emission-related part covered by the ECS Warranty.

h. Throughout the ECS Warranty Period, CPE shall maintain a supply of warranted emission-related parts sufficient to meet the expected demand for such emission-related parts.

i. Any CPE Authorized and approved emission-related replacement part may be used in the performance of any ECS Warranty maintenance or repair and will be provided without charge to the owner. Such use shall not reduce CPE's warranty obligation.

j. Unapproved add-on or modified parts may not be used to modify or repair a CPE engine. Such use voids this ECS Warranty and shall be sufficient grounds for disallowing an ECS Warranty claim. CPE shall not be liable hereunder for failures of any warranted parts of a CPE engine caused by the use of such an unapproved add-on or modified part.

EMISSION-RELATED PARTS INCLUDE THE FOLLOWING: (using those portions of the list applicable to the engine)

| Systems covered by this warranty | Parts Description |
|----------------------------------|--|
| Fuel Metering System | Fuel regulator, Carburetor and internal parts |
| Air Induction System | Air cleaner, Intake manifold |
| Ignition System | Spark plug and parts, Magneto ignition system |
| Exhaust System | Exhaust manifold, catalytic converter |
| Miscellaneous Parts | Tubing, Fittings, Seals, Gaskets, and Clamps associated with these listed systems. |
| Evaporative Emissions | Fuel Tank, Fuel Cap, Fuel Line, Fuel Line Fittings, Clamps, Pressure Relief Valves, Control Valves, Control Solenoids, Electronic Controls, Vacuum Control Diaphragms, Control Cables, Control Linkages, Purge Valves, Vapor Hoses, Liquid/Vapor Separator, Carbon Canister, Canister Mounting Brackets, Carburetor Purge Port Connector |

TO OBTAIN WARRANTY SERVICE:

You must take your CPE engine or the product on which it is installed, along with your warranty registration card or other proof of original purchase date, at your expense, to any Champion Power Equipment dealer who is authorized by Champion Power Equipment, Inc. to sell and service that CPE product during his normal business hours. Alternate service locations defined in Section (3)(f.) above must be approved by CPE prior to service. Claims for repair or adjustment found to be caused solely by defects in material or workmanship will not be denied because the engine was not properly maintained and used.

If you have any questions regarding your warranty rights and responsibilities, or to obtain warranty service, please write or call Customer Service at Champion Power Equipment, Inc.

**Champion Power Equipment, Inc.
12039 Smith Ave.
Santa Fe Springs, CA 90670
1-877-338-0999
Attn.: Customer Service
tech@championpowerequipment.com**