



100-200 Amp



**Automatic Transfer Switches (ATS)
Load Control Module (LCM)**

Milbank's automatic transfer switches (ATS) and load control module (LCM) give you options that range from 100 Amp to 200 Amp Whole House service entrance solutions.



The **SIMPLE SOLUTION**™ 

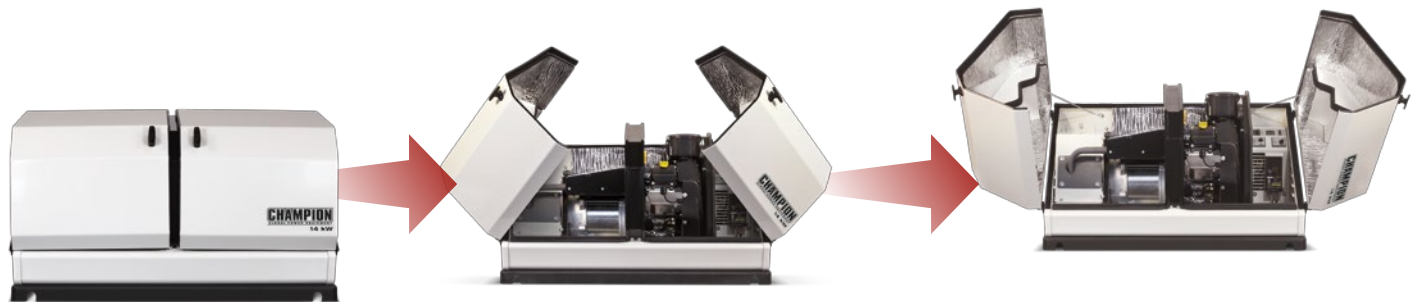


With our Canadian Service Entry Rated **WHOLE HOUSE** system, your home's power requirements are monitored continuously. This ATS can back up your home's entire distribution panel with the ability to manage up to 4 high demand appliances and 2 air conditioners for your Whole

House power needs. Your home's circuits are divided into prioritized zones – from vital to managed. If your generator nears maximum capacity, pre-designated, high demand appliances are managed to avoid overload. As soon as demand lowers, the generator will automatically reacquire the appliances that are managed. Appliances are managed and reacquired individually.

A **LOAD CONTROL MODULE** (sold separately) is used for larger loads such as electric range, dryer or water heater. When choosing a generator for your Whole House needs, this means that you do not always need to choose the largest generator.

Model	Generator	ATS	Output (Propane/NG)	Engine
100136	12.5 kW	Generator only	12,500W 11,000W	717cc V-twin Champion OHV
100367		ATS200 Whole House Switch (NEMA 3R service entry)		
100237	14 kW	Generator only	14,000W 12,500W	754cc V-twin Champion OHV
100369		ATS200 Whole House Switch (NEMA 3R service entry)		






Innovative gullwing enclosure for easy installation and service.



Locate a certified Champion Home Standby Dealer and Installer by visiting:
www.championpowerequipment.com or emailing hsb@cpeauto.com

Champion Power Equipment, Inc.
12039 Smith Ave. – Santa Fe Springs, CA 90670 – USA
hsb@cpeauto.com – 1-877-338-0999

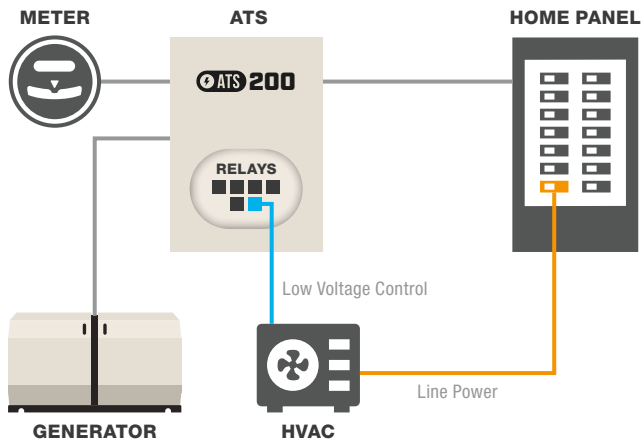
AUTOMATIC TRANSFER SWITCHES (ATS) / LOAD CONTROL MODULE (LCM)

ATS/LCM SPECIFICATIONS	⚡ ATS 100	⚡ ATS 200	⚡ LCM 50
Application	 WHOLE HOUSE (intelligent load management for up to 6 appliances)		 Manage up to 50 amp load (sold separately)
Model #	101964	101963	100323
Voltage (single phase)	120/240		
Amperage	100	200	50
Service entry rated	Yes		
Available circuits	Whole House		
Frequency AC	60 Hz		
Certification	cUL		UL and cUL
Dimensions (L[D] x W x H)	6.54 x 23.13 x 27.15 in.		3.4 x 5.2 x 8.2 in.
Weight	42 lb.		3.6 lb.
Enclosure Type	NEMA 3R outdoor/indoor		

How is a **WHOLE HOUSE** transfer switch wired?

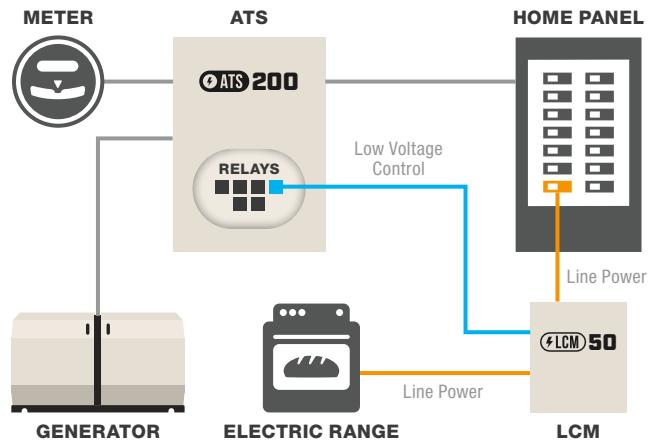
ATS200 connection to HVAC

This ATS includes a total of 6 low voltage relays – 2 of which are for you to easily wire in your low voltage controlled HVAC by simply breaking the thermostat control line as shown below.



ATS200 connection to ELECTRIC RANGE with LCM

High demand appliances can be managed using a relay (up to 4) connected to a LOAD CONTROL MODULE wired between the circuit breaker in the distribution panel and the appliance.



Locate a certified Champion Home Standby Dealer and Installer by visiting:
www.championpowerequipment.com or emailing hsb@cpeauto.com

Champion Power Equipment, Inc.
 12039 Smith Ave. – Santa Fe Springs, CA 90670 – USA
hsb@cpeauto.com – 1-877-338-0999