



Champion Power Equipment, Inc., Santa Fe Springs, CA USA

MODEL #200911

PARTS INFORMATION

3550W PORTABLE GENERATOR

SERIAL NUMBER RANGE: 00JAN0100000–20APR2501440

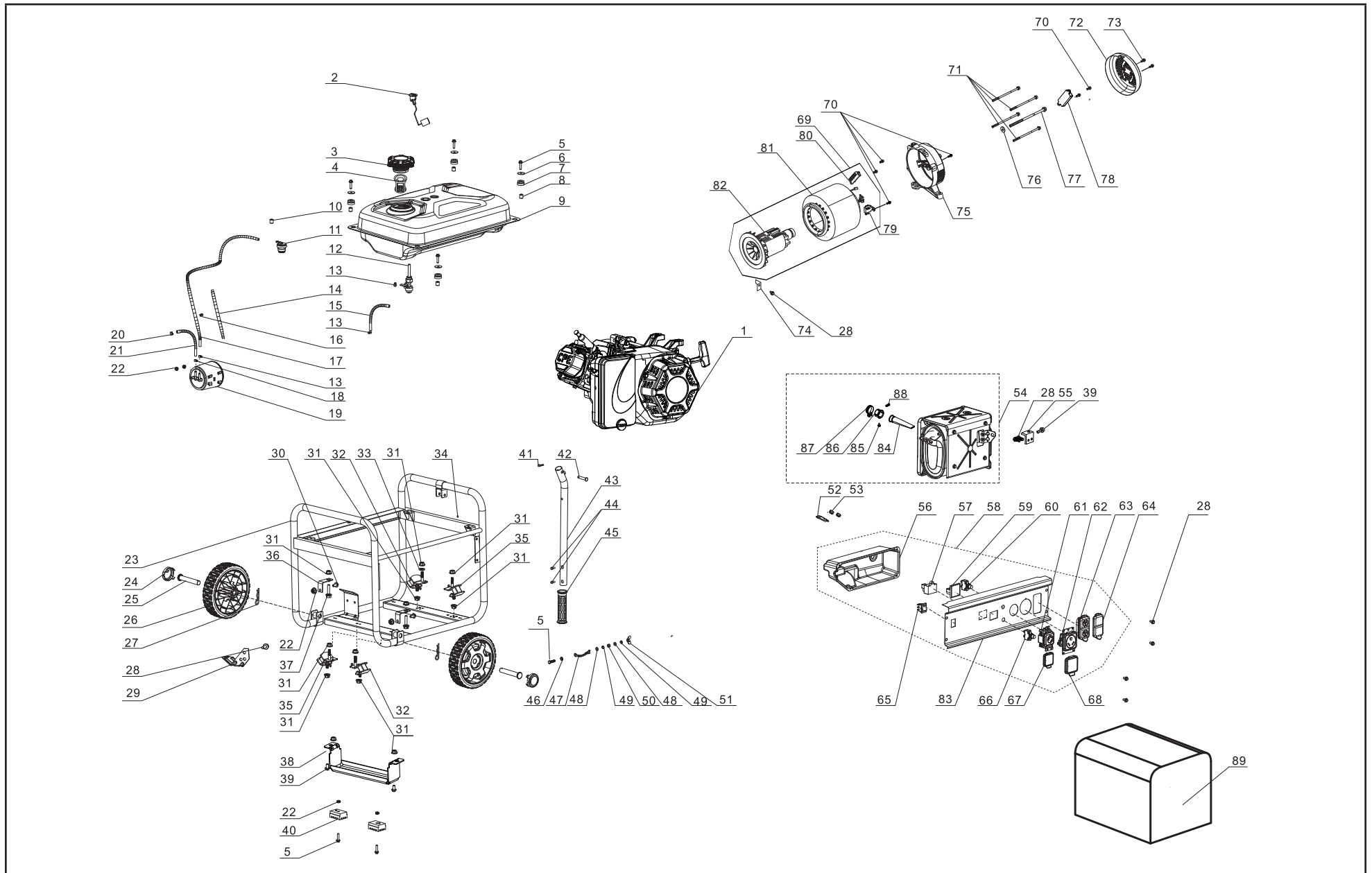


To order replacement parts please visit:
shop.championpowerequipment.com
or call **1-877-338-0999**.

TABLE OF CONTENTS

Generator Parts Diagram	3
Generator Parts List	4
Engine Parts Diagram	6
Engine Parts List	7
Wiring Diagram	8

GENERATOR PARTS DIAGRAM



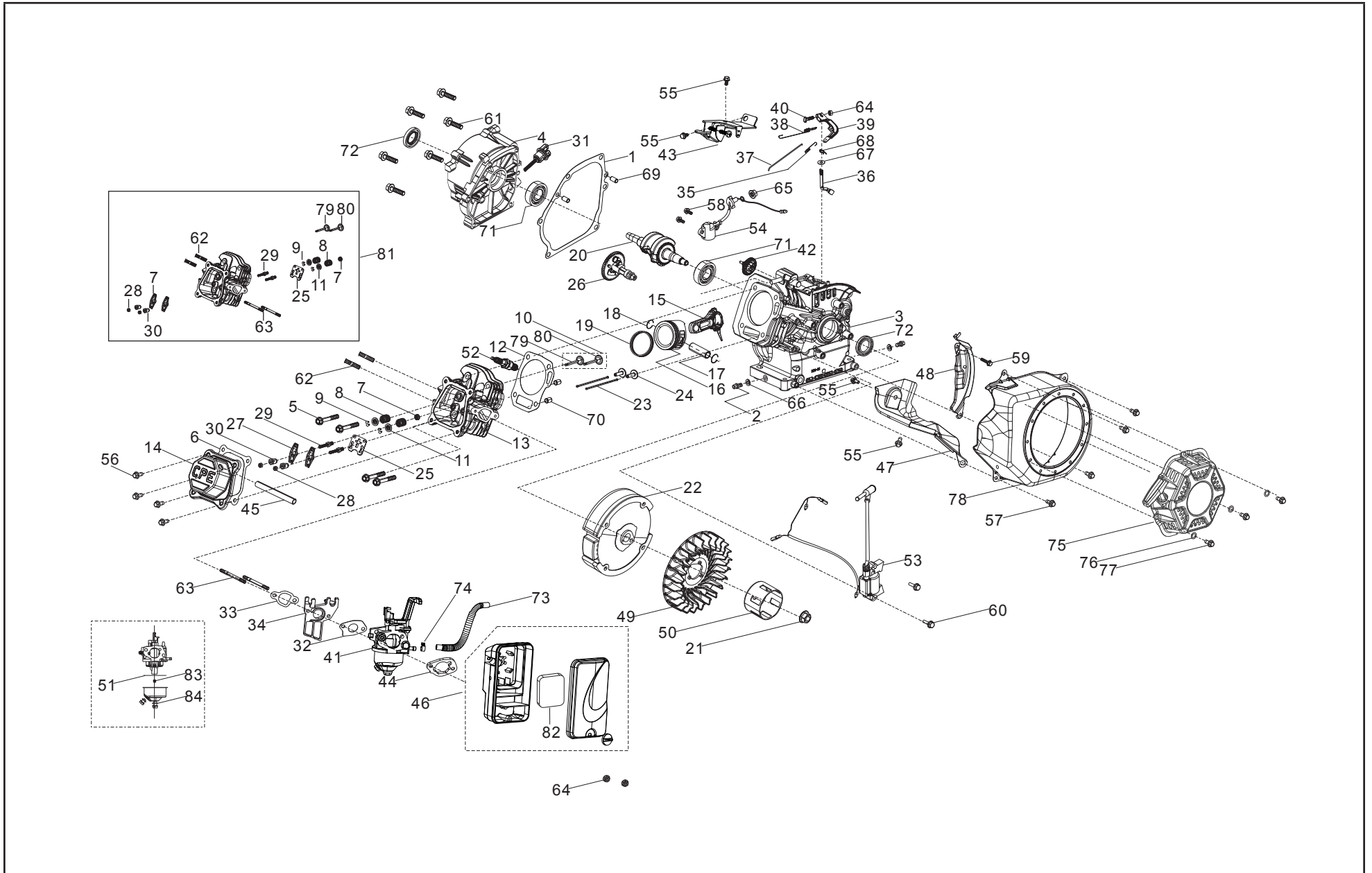
GENERATOR PARTS LIST

#	Part Number	Description	Qty.
1	R225MP000FB-CMP304	Engine, 224cc	1
2	37200-YGK0110-00A0	Fuel Gauge	1
3	16730-YGM0110-00A0	Fuel Tank Cap	1
4	16652-YGM0110-00A0	Fuel Filter	1
5	90001-0625-0305	Flange Bolt, M6 × 25, Black Zinc	7
6	90408-Y020110-0005	Flat Washer, Ø6, Black Zinc	4
7	16601-Y020120-0001	Vibration Mount, Fuel Tank	4
8	90683-Y020110-0005	Bushing, Blue White Zinc	4
9	100713756-0001	Fuel Tank, 17.8L	1
10	90698-Y1Z0110-0001	Protective Rubber Sleeve	1
11	15150-Z810110-0001	One Way Valve	1
12	16750-YGK0110-0000	Fuel Valve Assembly	1
13	90685-Z030610-0300	Clamp, Ø8	3
14	30431-YCM0310-0001	Rubber Sleeve, Ø9.5 × Ø11 × 150	1
15	30431-Y020110-0001	Rubber Sleeve	1
16	90685-YB00110-Q200	Clamp	1
17	16804-YGK0110-0000	Connection Pipe, Ø4.5 × Ø8.5 × 705	1
18	90685-Z020110-0300	Clamp, Ø9.5	1
19	16801-YGK0110-00A0	Carbon Canister, 400 cc	1
20	90685-Z030410-0300	Clamp, Ø10.7	1
21	16805-YGK0110-0000	Connection Pipe, Air Cleaner	1
22	90305-0600-0302	Flange Nut, M6, Black Zinc	6
23	51100-YGK0210-H7A0	Frame Assembly, Ø25 × 1.2, 565 × 440 × 480	1
24	44001-V580110-L401	Cover, Hub Decorated, Yellow	2
25	44020-Y9X0110-0306	Roll Pin, Ø16 × 89.5, Black Zinc	2
26	44110-V580110-0000	8in. Wheel, Yellow	2
27	90501-Y2C0110-03A1	Cotter Pin, Black Zinc	2
28	90001-0612-0305	Flange Bolt, M6 × 12, Black Zinc	8
29	17003-Y110130-0001	Air Cleaner Support	1

#	Part Number	Description	Qty.
30	90305-0800-3305	Flange Nut, M8, Black Zinc	10
31	51011HY020410-0001	Vibration Mount 2, Frame	2
32	90406-0800-0301	Washer, Black Zinc	1
33	90722-YEC0210-0001	Plug, End	1
34	51005HY020410-0001	Vibration Mount 1, Frame	2
35	51016-YGK0110-H7A0	Support Leg	1
36	90001-0816-0305	Flange Bolt, M8 × 16, Black Zinc	3
37	51014HY9X0110-0000	Vibration Mount, Support Leg	2
38	90583-YGK0110-03A0	R Pin	1
39	90504-YGK0110-0300	Pin Shaft, Ø8 × 40, Black Zinc	1
40	54110HYGK0110-H7A0	Handle, Ø25 × 1.2	1
41	90103-0416-5301	Screw M4 × 16	2
42	54101HYGK0110-L400	Handle Sheath	1
43	90415-0600-Z301	Lock Washer, Toothed, Black Zinc	1
44	30009-Y910110-0001	Grounding Wire	1
45	90408-0600-E305	Flat Washer, Black Zinc	2
46	90403-0600-0305	Spring Washer, Black Zinc	2
47	90303-0600-3305	Flange Nut, M6, Black Zinc	1
48	90312-0600-0301	Wing Nut, M6, Black Zinc	1
49	18001-Z440110-00A0	Exhaust Outlet Gasket	1
50	90303-0800-3305	Flange Nut, M8, Black Zinc	2
51	18100-YGK0110-00A0	Muffler Assembly	1
52	18030-YF20110-H301	Muffler Bracket	1
53	35601-YGK0110-0000	Rear Case, Control Panel	1
54	30008-YGK0110-0000	Control Module	1
55	35610-YGK0110-H700	Control Panel Assembly	1
56	35632-YGK0110-0000	Intelligauge, VFT-2	1
57	31234-YBE0210-0000	Circuit Breaker, Push Button, 20A	1
58	35614-Y4D0110-0000	L5-30R Receptacle, 30A, 125V	1
59	35614-Y2D0110-0000	TT-30R Receptacle, 30A, 125V	1

#	Part Number	Description	Qty.
60	31614-Y220310-0000	5-20R Receptacle, 20A, 125V	1
61	35654-YBE0110-0000	Receptacle Cover, 5-20R	1
62	35160-Y450110-0000	Switch, Engine	1
63	31234-YGK0110-0000	Circuit Breaker, Push Button, 30A	1
64	35654-YGK0210-0000	Receptacle Cover,L5-30R	1
65	35654-YGK0310-0000	Receptacle Cover, TT-30R	1
66	31300-YGK0110-0000	Alternator Assembly, AL, D160 × 120	1
67	90001-0516-0105	Flange Bolt, M5 × 16, Black Zinc	6
68	30048-Y040120-0100	Bolt M6 × 165, Stator	4
69	30022-YGK0110-L400	Cover, End Housing, Yellow	1
70	90001-0512-0301	Flange Bolt, M5 × 12, Black Zinc	2
71	30023-Y020110-0900	Stopper, Motor Right Cover	1
72	30021-Y020310-00A1	End Housing	1
73	90408-Y020210-0001	Flat Washer, Black Zinc	1
74	30049-Y040120-0900	Bolt M8 × 220, Rotor	1
75	30060-YGK0110-0000	AVR	1
76	31320-YGK0110-0000	Carbon Brush Assembly	1
77	31303HY020110-0000	Terminal Block	1
78	31310-YGK0110-0000	Stator, AL, D160 × 120	1
79	31330-YGK0110-0000	Rotor, AL, D160 × 120	1
80	35650-YGK0110-H700	Control Panel	1
81	18250-YGK0110-0000	Spark Arrestor, Inner	1
82	90107-3595-01A0	Screw, 35 × 95	1
83	18250-Y060310-0000	Spark Arrestor, Outer	1
84	18253-YGK0110-0000	Clamp, Spark Arrestor	1
85	90103-0418-0000	Screw, M4 ×18	1
86	9.1300.001	Generator Cover	1
87	35654-YGK0110-0000	Cover, Circuit Breaker	2

ENGINE PARTS DIAGRAM



ENGINE PARTS LIST

#	Part Number	Description	Qty.
1	11001-Z440110-00A0	Crankcase Gasket	1
2	11007-Z010310-0000	Drain Plug Bolt, M10 x1.25 x15, Black Zinc	2
3	11310-Z810210-0BA0	Crankcase Subassembly	1
4	11411-Z530110-0BA0	Crankcase Cover	1
5	12003-Z010310-0000	Cylinder Head Bolt, M8 × 60, Black Zinc	4
6	12004-Z440110-00A0	Cylinder Head Cover Gasket	1
7	12101-Z810210-0000	Seal Guide	1
8	12103-Z010110-0000	Valve Spring	2
9	12109-Z810110-0000	Valve Lock Clamp	4
10	12110-Z810120-0099	Valve Set	1
11	12112-Z810210-0000	Valve Spring Retainer	2
12	12131-Z530320-0000	Cylinder Head Gasket	1
13	12140-Z810210-0BA0	Cylinder Head Subassembly	1
14	12410-Z440110-0001	Cylinder Head Cover Subassembly, Blue White Zinc	1
15	13010-Z810210-00A0	Connecting Rod	1
16	13111-Z810120-00A0	Piston	1
17	13121-Z810110-0000	Piston Pin, Ø13 × Ø45.9	1
18	13122-Z510210-0000	Piston Pin Clip	2
19	13200-Z140210-00A9	Piston Ring Assembly	1
20	13300-Z810110-0000	Crankshaft Assembly	1
21	13501-Z010110-0000	Flywheel Nut, M14 × 1.5, Blue White Zinc	1
22	13510-Z440410-0000	Flywheel Subassembly	1
23	14071-Z440110-0000	Valve Lifter	2
24	14081-Z040110-0000	Valve Tappet	2
25	14090-Z010110-0000	Lifter Stopper Plate Subassembly, Blue White Zinc	1
26	14200-Z810310-0000	Camshaft Assembly	1

#	Part Number	Description	Qty.
27	14311-Z010110-0000	Valve Rocker	2
28	14312-Z010110-0000	Valve Lock Nut	2
29	14313-Z010110-0000	Valve Adjusting Bolt	2
30	14314-Z010110-0000	Valve Adjusting Nut	2
31	15010-Z290110-L401	Oil Dipstick Subassembly	1
32	16001-Z010110-0000	Carburetor Gasket	1
33	16002-Z050110-0000	Carburetor Insulator Gasket	1
34	16003-Z010110-0000	Carburetor Insulator Plate	1
35	16012-Z010310-0000	Throttle Valve Returning Spring	1
36	16061-Z010110-0000	Governor Arm	1
37	16062-Z010210-0000	Governor Rod, Blue White Zinc	1
38	16063-Z010310-00A0	Spring, Governor	1
39	16070-Z010110-0001	Governor Support Subassembly, Blue White Zinc	1
40	16072-Z010310-0000	Governor Support Bolt, M6 × 21, Black Zinc	1
41	16100-Z2M0210-00M0	Carburetor Assembly	1
42	16400-Z810210-0000	Governor Gear Assembly	1
43	16520-Z040130-0001	Throttle Control Assembly, Blue White Zinc	1
44	17001-Z010210-0000	Air Cleaner Gasket	1
45	17004-Z010410-0001	Tube, Breather, Ø8 × Ø12 × 105	1
46	17100-Z0X0110-0001	Air Cleaner	1
47	19304-Z010610-0001	Cylinder Body Shroud	1
48	19340-Z010810-0100	Lower Shield, Blue White Zinc	1
49	19352-Z440110-0001	Impeller	1
50	28002-Z0L0110-0000	Starter Pulley, Blue White Zinc	1
51	16112-Z010110-0000	Seal Ring, Float	1
52	30010-Z010110-0000	Spark Plug, F6RTC	1
53	30400-Z440410-0001	Ignition Coil	1

#	Part Number	Description	Qty.
54	37060-Z010120-0001	Engine oil Sensor, W/O Nut	1
55	90001-0610-03	Hexagon Flange Bolt, M6 × 10, Black Zinc	4
56	90001-0612-0101	Hexagon Flange Bolt, M6 × 12, Blue White Zinc	4
57	90001-0612-03	Hexagon Flange Bolt, M6 × 12, Black Zinc	4
58	90001-0614-01	Hexagon Flange Bolt, M6 × 14, Blue White Zinc	2
59	90001-0616-01	Hexagon Flange Bolt, M6 × 16, Blue White Zinc	1
60	90001-0625-01	Hexagon Flange Bolt, M6 × 25, Blue White Zinc	2
61	90001-0832-03	Hexagon Flange Bolt, M8 × 32, Black Zinc	6
62	90203-Z010110-0000	Stud, M8 × 34, Black Zinc	2
63	90204-Z010210-0000	Stud, M6 × 96, Black Zinc	2
64	90305-0600-33	Hexagon Flange Nut, M6, Black Zinc	3
65	90305-Z010210-0300	Hexagon Flange Nut, M10, Black Zinc	1
66	90408-Z010110-0000	Washer, Ø10 × Ø15.8 × 1.5	2
67	90408-Z010210-0000	Washer, Ø10 × Ø15 × 0.6	1
68	90501-Z010110-0001	Pin, Blue White Zinc	1
69	90502-0912-00	Pin, 9 × 12	2
70	90502-1114-00	Pin, 11 × 14	2
71	90547-0205-00	Bearing	2
72	90682-Z300110-0001	Oil Seal, Ø25 × Ø41.25 × 6	2
73	90685-Z030610-01A1	Clamp, Ø8 × 7 × 0.6	1
74	90686-Z010810-00M1	Fuel Pipe, Ø4.5 × Ø8.5 × 140	1
75	28200-Z141010-H301	Recoil Starter Assembly	1
76	90408-0600-03	Washer, Black Zinc	3
77	90001-0608-03	Hexagon Flange Bolt, M6 × 8, Black Zinc	3

#	Part Number	Description	Qty.
78	28110-Z010610-L400	Shroud, Yellow	1
79	12121-Z810120-0000	Exhaust Valve	1
80	12111-Z810110-0000	Inlet Valve	1
81	210P-001	Cylinder Head Subassembly	1
82	17151-Z300310-0000	Element, Air Cleaner	1
83	16161-Z152010-0000	Main Jet, Standard (#79)	1
	16161-Z151810-0000	Main Jet, Altitude 3000-6000 Feet (#77)	/
	16161-Z151610-0000	Main Jet, Altitude 6000-8000 Feet (#75)	/
84	90681-Z010610-0000	Seal Ring	1

WIRING DIAGRAM

