



Champion Power Equipment, Inc., Santa Fe Springs, CA USA

MODEL #100868

PARTS INFORMATION

50A LOAD MANAGEMENT MODULE

SERIAL NUMBER RANGE: ALL



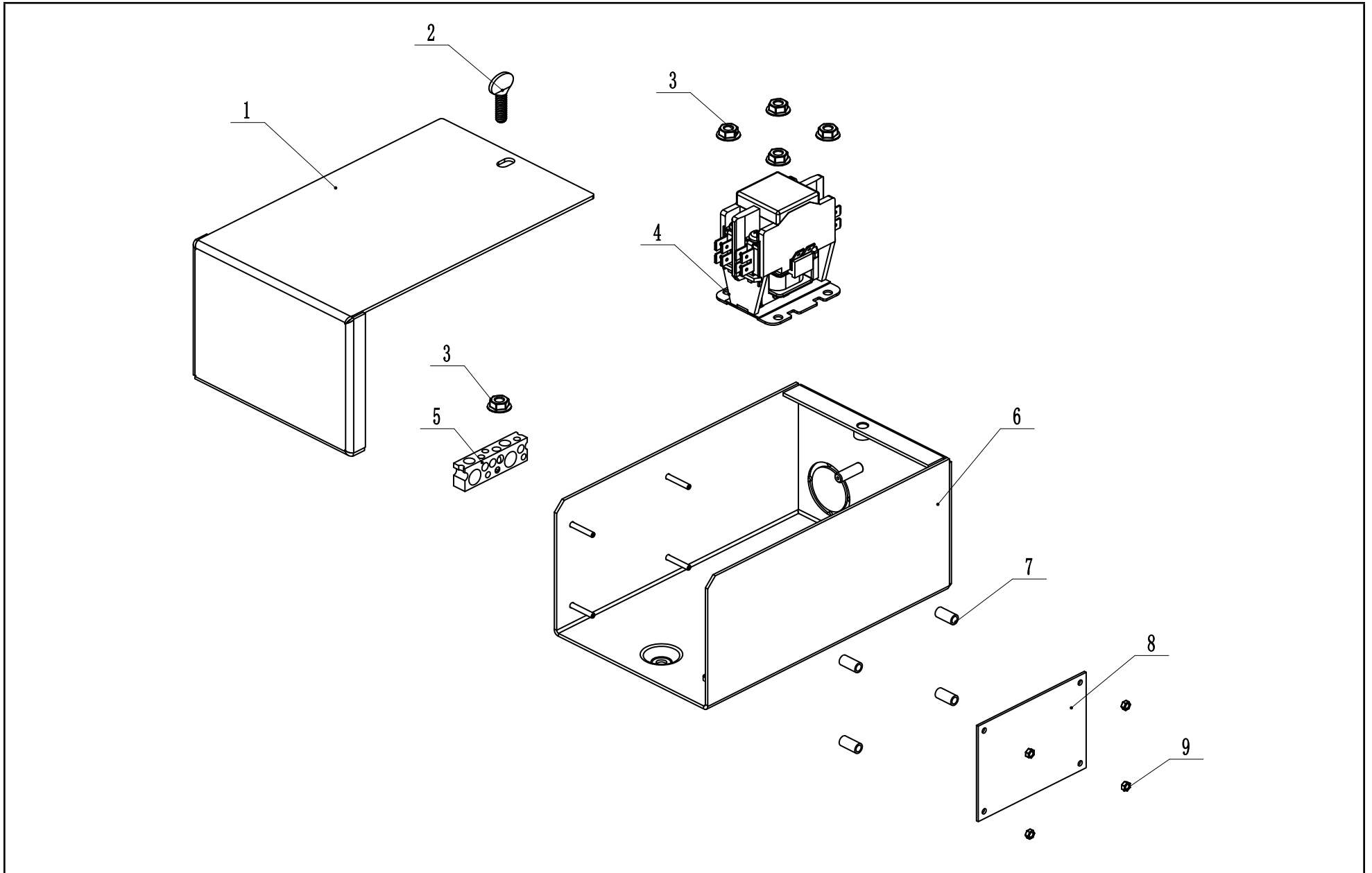
To order replacement parts please visit:
shop.championpowerequipment.com
or call **1-877-338-0999**.

TABLE OF CONTENTS

Parts Diagram **3**

Parts List **4**

PARTS DIAGRAM



PARTS LIST

#	Part Number	Description	Qty.
1	165.216100.03.24	Cover, Enclosure LMM	1
2	2.08.144	Bolt M6 x 10	1
3	1.6177.1.05	Lock Nut M5, Flange	5
4	5.1270.003	Contactactor, 50A 240VAC- 120VAC Coil	1
5	165.216004.03	Lug, Ground 5 Position	1
6	165.216100.02.24	Base, Enclosure LMM	1
7	2.13.035	Spacer, Standoff Nylon	4
8	165.216002.03	PCB, LMM PLC	1
9	1.6177.1.03	Lock Nut M3, Flange	4