



Champion Power Equipment, Inc., Santa Fe Springs, CA USA

**MODEL #100723**

## **PARTS INFORMATION**

**5500 LB. (2495 KG) WINCH**

**SERIAL NUMBER RANGE: ALL**

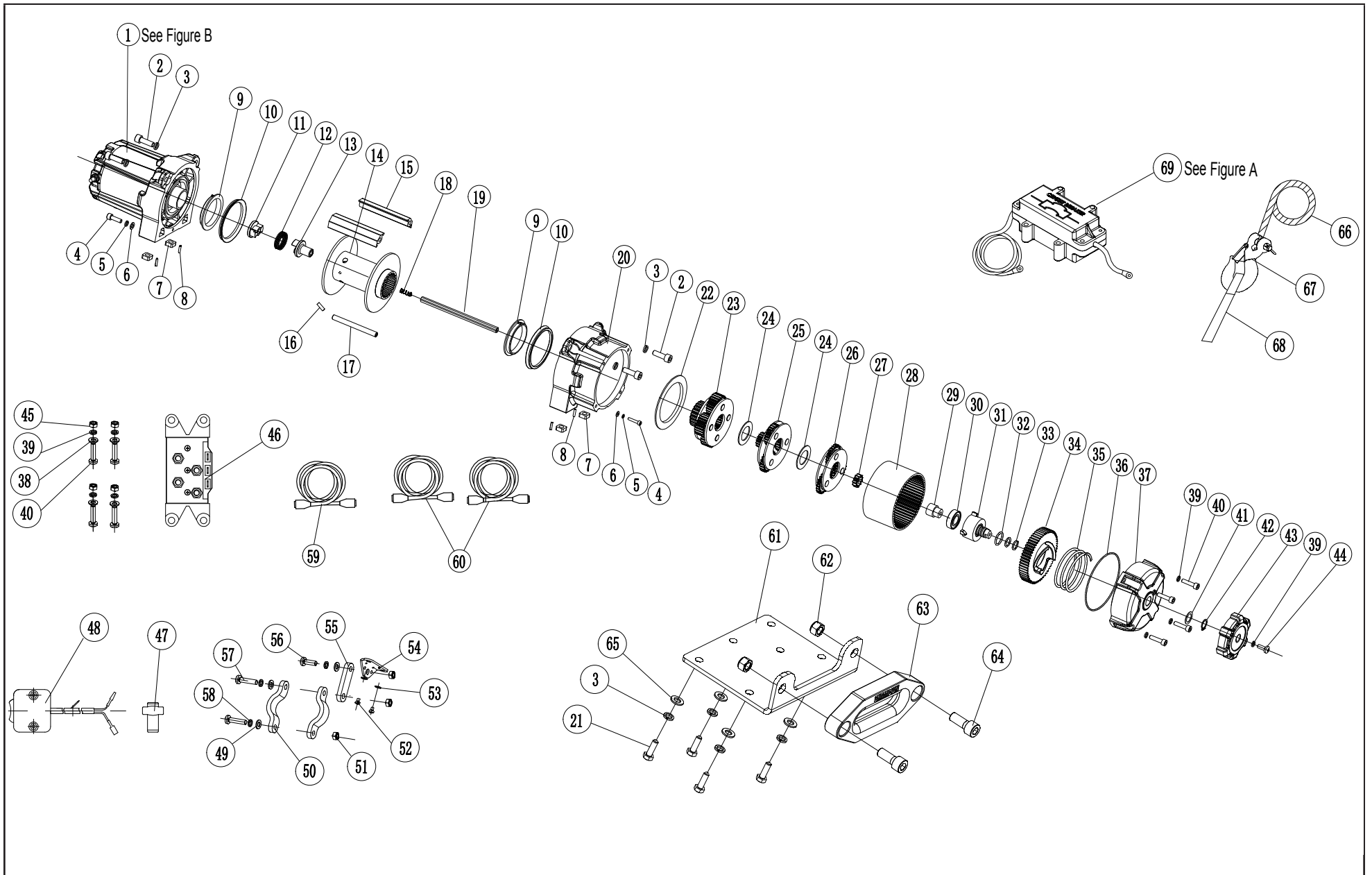


To order replacement parts please visit:  
**[shop.championpowerequipment.com](http://shop.championpowerequipment.com)**  
or call **1-877-338-0999**.

## **TABLE OF CONTENTS**

<b>Parts Diagram</b> .....	<b>3</b>
<b>Parts List</b> .....	<b>4</b>
<b>Circuit Breaker Parts Diagram</b> .....	<b>6</b>
<b>Circuit Breaker Parts List</b> .....	<b>7</b>
<b>Motor Assembly Parts Diagram</b> .....	<b>8</b>
<b>Motor Assembly Parts List</b> .....	<b>9</b>

# PARTS DIAGRAM



## PARTS LIST

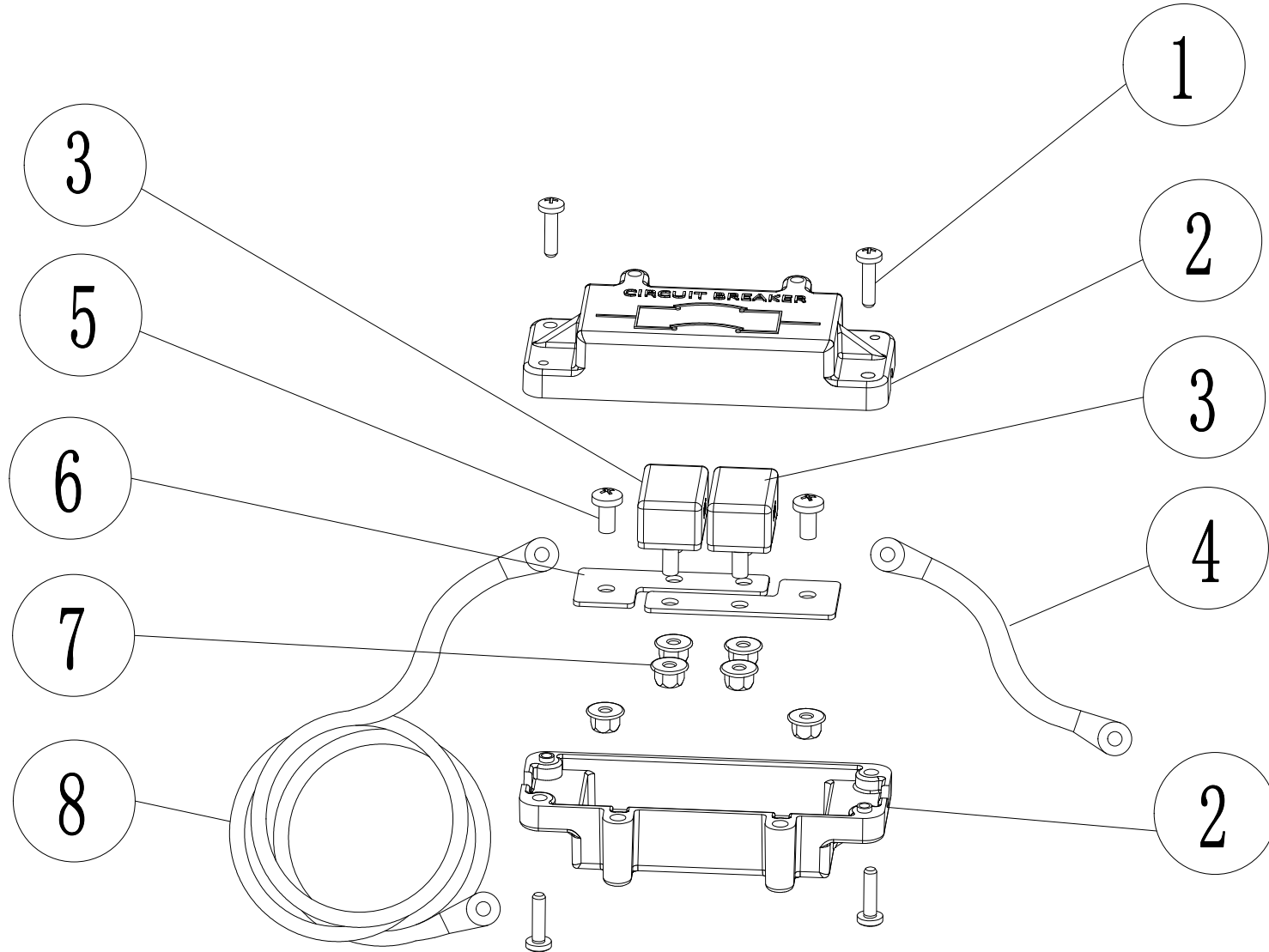
#	Part Number	Description	Qty.
1	550100XL	Motor Assembly	1
2	550007XL	Hexagon Socket Head Screw M8 x 25 - Dichromate	4
3	300020-D	Lock Washer Ø8 - Dichromate	8
4	350001XL	Bolt M4 x 20 - Dichromate	2
5	350002XL	Lock Washer Ø4 - Dichromate	2
6	350003XL	Flat Washer Ø4 - Dichromate	2
7	500016	Square Nut	4
8	500017	Elastic Cylindrical Pin Ø3 x 14	4
9	550001XL	Drum Bushing	2
10	500001	Self Sealing Packing	2
11	450001	Coupling, I	1
12	450002	Spring,Coupling	1
13	450003	Coupling, II	1
14	400200A-BF	Drum Assembly - Black Flat	1
15	550002XL	Tie Rod, Aluminum, 5500XL	1
16	500011	Hexagon Socket Set Screw with Cone Point M5 x 8	1
17	350006XL	Tie Bar Ø8 - Dichromate	1
18	450029	Shaft Spring	1
19	400018	Hexagonal shaft	1
20	550003XL	Gear Housing Cover - Black Flat	1
21	450021-D	Hexagon Head Bolt M8 x 25 - Dichromate	4
22	450015	Retaining Ring	1
23	450006	Gear Carrier Assembly, Output	1
24	450014	Friction Washer	2
25	450007	Gear Carrier Assembly, Intermediate	1
26	450008	Gear Carrier Assembly, Input	1
27	450009	Gear Input, Sun	1
28	450005-A	Gear Ring	1

#	Part Number	Description	Qty.
29	450034	Clutch Bushing	1
30	GB2760BB-06002SS	Radial Ball Bearing 6002 Sealed	1
31	550004XL	Axis Support Bushing	1
32	500003	O Ring Ø19 x 2.4	1
33	500020	O Ring Ø13 x 2	2
34	450032	Cam Clutch Gear	1
35	250012	Spring	1
36	410004	O Ring Ø100 x 1.9	1
37	550005XL	Clutch Cover - Black Flat	1
38	250002-D	Flat Washer Ø6 - Dichromate	8
39	250017-D	Lock Washer Ø6 - Dichromate	9
40	P1011017-D	Hexagon Socket Head Screw M6 x 20 - Dichromate	8
41	500019	Flat Washer Ø16 x Ø22 x 0.5, Stainless	1
42	250011	Retaining Clip Ø15	1
43	350010XL	Clutch Cap	1
44	250018-D	Cap Screw M6 x 16 - Dichromate	1
45	400013-D	Lock Nut M6 - Dichromate	4
46	410019	Contactator	1
47	400020	Wire Tap	1
48	400021	Mini-Rocker Switch	1
49	400023-D	Flat Washer Ø5 - Dichromate	3
50	400026-BF	Mini-Rocker Switch Clamp - Black Flat	2
51	400025-D	Nut M5 - Dichromate	3
52	400027	Screw #6-32 x 9/32 in	2
53	400028	Lock Washer Ø4	2
54	400029-BF	Mini-Rocker Switch Mounting Angle - Black Flat	1
55	400030-BF	Mini-Rocker Switch Extender - Black	1
56	400031-D	Hexagon Socket Head Screw M5 x 18 - Dichromate	1

#	Part Number	Description	Qty.
57	400022-D	Hexagon Socket Head Screw M5 x 25 - Dichromate	2
58	400024-D	Lock Washer Ø5 - Dichromate	3
	456002	Battery Wires - Black, 36 in. (L) / 6 GA	1
59	456003	Winch Wires - Yellow, 72 in. (L) / 6 GA	1
60	456004	Winch Wires - Blue, 72 in. (L) / 6 GA	1
61	250086-BF	Mounting Channel - Black Flat	1
62	250036-D	Lock Nut M10 - Dichromate	2
63	100374	Aluminum Hawse - 124 mm	1
64	250087-D	Hexagon Socket Set Screw M10 x 25 - Dichromate	2
65	300019-D	Flat Washer Ø8 - Dichromate	4
66	550200XL	Synthetic Rope - 15/64in. (D) x 38 ft. (L), Grey(Smoke)	1
67	550006XL	5/16 in. Clevis Hook - Black	1
68	410022	Yellow Strap	1
69	550300XL	Circuit Breaker Assembly	1

# CIRCUIT BREAKER PARTS DIAGRAM

Figure A

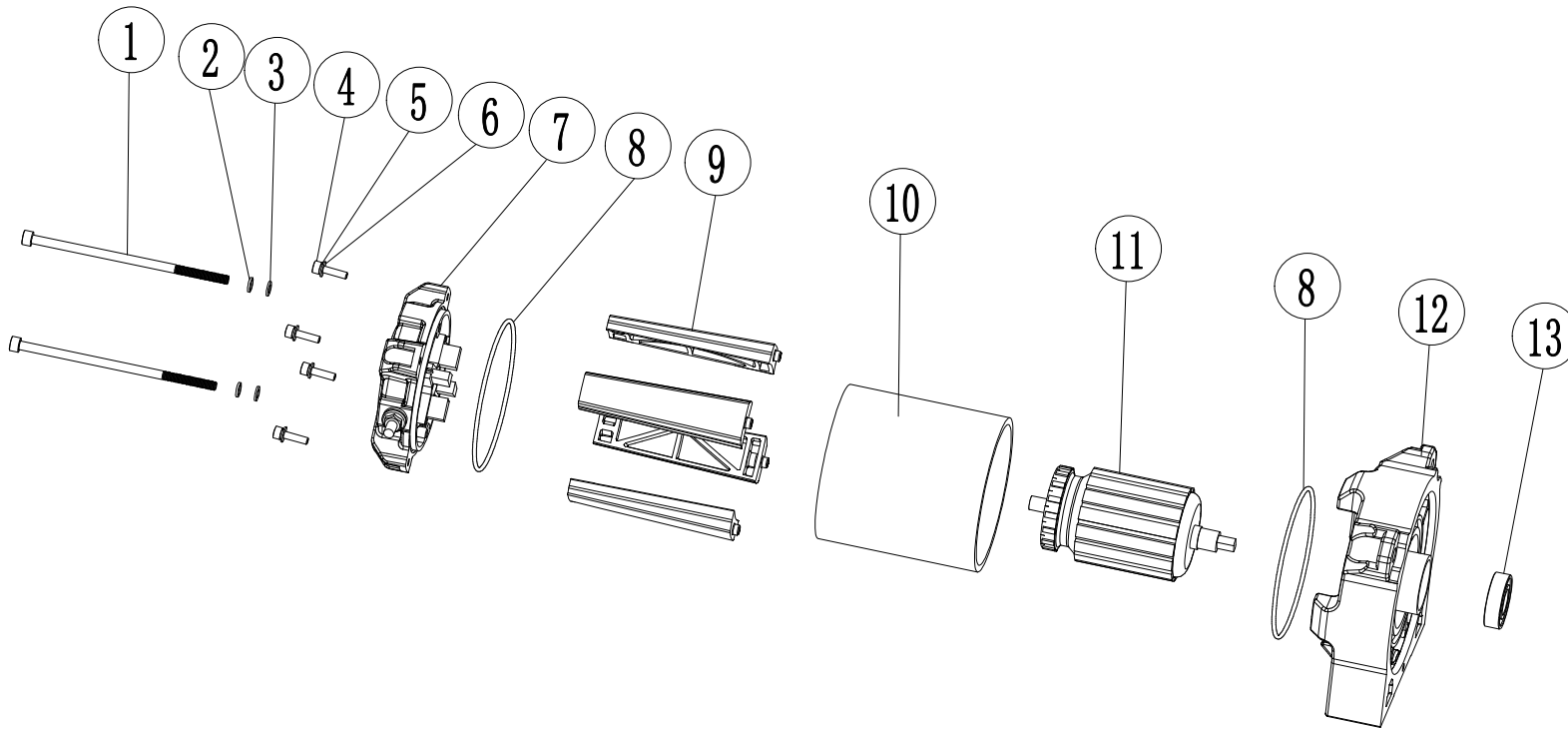


**CIRCUIT BREAKER PARTS LIST**

#	Part Number	Description	Qty.
1	350200XL.01	Pan Head Screw with Cross Recess M4 x 16	4
2	350200XL.02	Circuit Breaker Cover	2
3	550300XL.01	Circuit Breaker 50A	2
4	550300XL.02	Red Wire, 12in. (L) / 6 GA	1
5	350200XL.06	Pan Head Screw with Cross Recess M5 x 10	2
6	350200XL.07	Circuit Breaker Connection	2
7	350200XL.08	Flange Hexagon Nut M5	6
8	456001	Battery Wires - Red, 36in. (L) / 6 GA	1

## MOTOR ASSEMBLY PARTS DIAGRAM

Figure B





**MOTOR ASSEMBLY PARTS LIST**

#	Part Number	Description	Qty.
1	M5500XL-01	Hexagon Socket Head Screw M5 x 115	2
2	M3500XL-02	Copper Washer Ø5	2
3	M3500XL-03	Seal Washer	2
4	410018A	Hexagon Socket Head Screw M4 x 16	4
5	M3500XL-04	Lock Washer Ø4	4
6	M3500XL-05	Flat Washer Ø4	4
7	M5500XL-02	Motor Cap Assembly	1
8	M5500XL-03	O-Ring Ø85 x 1.9	2
9	M5500XL-04	Motor Support Bar	4
10	M5500XL-05	Stator Assembly	1
11	M5500XL-06	Rotor	1
12	M5500XL-07	Motor Housing	1
13	M3500XL-12	Bearing, 6002-2RS	1