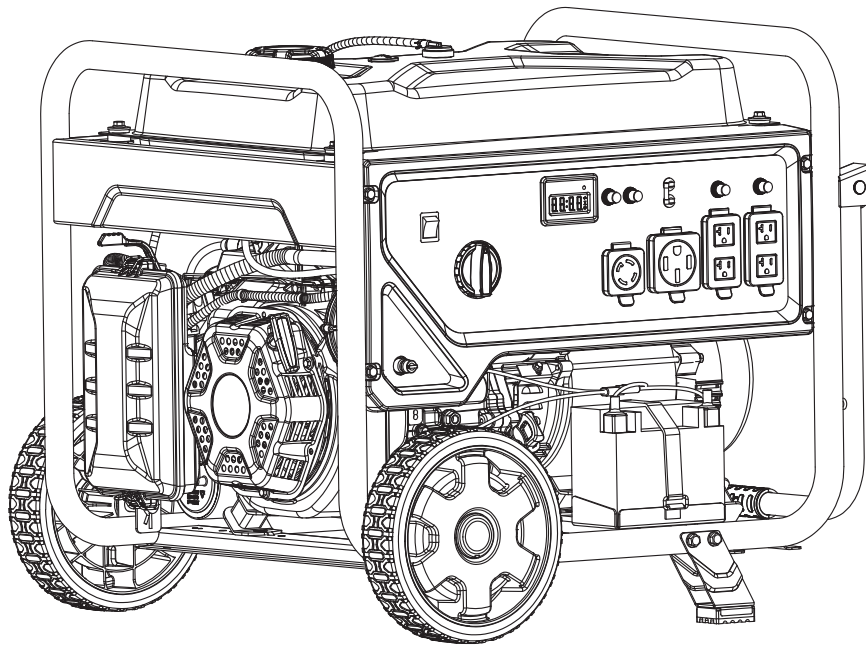


Champion Power Equipment, Inc., Santa Fe Springs, CA USA

MODEL #201035



PARTS INFORMATION

8000W DUAL FUEL ELECTRIC START GENERATOR

SERIAL NUMBER RANGE: ALL

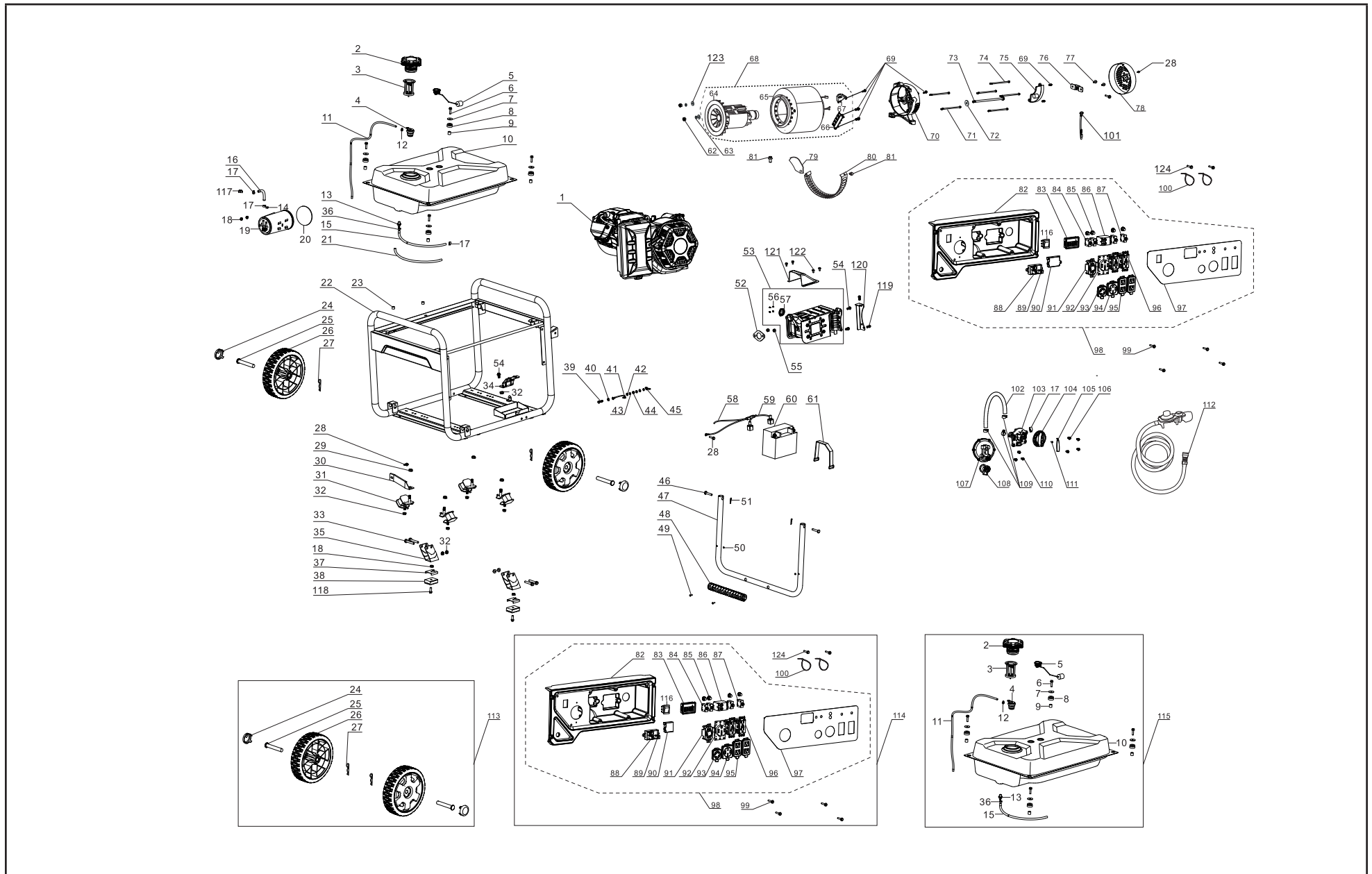


To order replacement parts please visit:
shop.championpowerequipment.com
or call **1-877-338-0999**.

TABLE OF CONTENTS

Generator Parts Diagram	3
Generator Parts List	4
Engine Parts Diagram	7
Engine Parts List	8
Wiring Diagram	10

GENERATOR PARTS DIAGRAM



GENERATOR PARTS LIST

#	Part Number	Description	Qty.
1	R460DNV00FB-CMP301	Engine, 460cc	1
2	16730-YGM0110-00A0	Fuel Tank Cap	1
3	16652-YGM0110-00A0	Fuel Filter	1
4	15150-YGK0110-00A0	One Way Valve	1
5	37200-YGM0110-00A0	Fuel Gauge	1
6	90007-0625-0301	Hexagon Flange Bolt, M6 x 25, Black Zinc	4
7	90408-Y020110-0005	Flat Washer, Ø6, Black Zinc	4
8	16601-Y020120-0001	Vibration Mount, Fuel Tank	4
9	90683-Y020110-0005	Bushing, White Zinc	4
10	16620-YGM0310-L4A0	Fuel Tank	1
11	16804-YJ90110-0000	Connection Tube, Ø4.5 x Ø8.5 x 860	1
12	90740-Z010610-00A1	Clamp, Ø9	1
13	16680-YJ30110-00A0	Fitting, Fuel Tank Drain	1
14	90685-D080-0EA0	Clamp, Ø8 x 0.6 x 7	1
15	90686-YJ70210-00M0	Fuel Tube, Ø4 x Ø10 x (270+35)	1
16	16805-YJ90110-0000	Connection Tube, Air Cleaner	1
17	90685-D090-0EA0	Clamp, Ø9 x 8 x 0.8	4
18	90305-0600-3301	Hexagon Flange Nut, M6, White Zinc	4
19	16801-YDK0110-00A1	Carbon Canister, 750 cc	1
20	82153-YGM0110-00A0	Heat Film	1
21	30431-Z120310-0000	Rubber Sleeve, Ø13 x Ø11.5 x 180	1
22	51100-YJ90210-H2A0	Frame Assembly	1
23	90698-Y1Z0110-0002	Protective Rubber Sleeve	2
24	44001-V580110-L401	Cover, Hub Decorated	2
25	44020-YGM0110-0300	Roll Pin, Black Zinc	2
26	44110-YGM0110-L400	9.5in. Wheel, Yellow	2
27	90501-Y2C0110-03A1	Pin, Black Zinc	2
28	90001-0612-0305	Hexagon Flange Bolt, M6 x 12, Black Zinc	2
29	90306-1000A0301	Hexagon Flange Nut, M10, Black Zinc	4
30	17003-YJ70110-0100	Air Cleaner Support, White Zinc	1

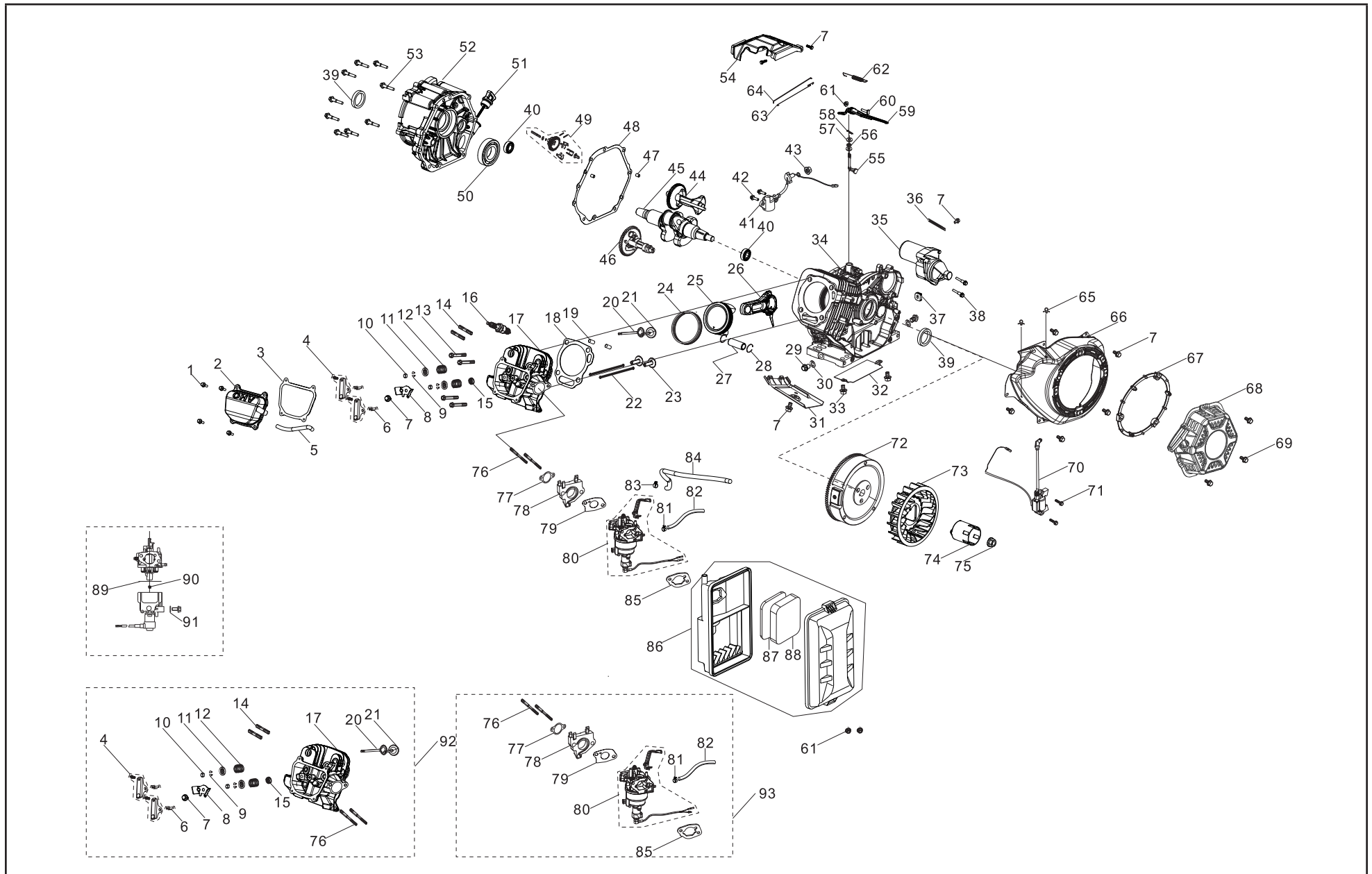
#	Part Number	Description	Qty.
31	51012HY030120-0000	Rear Vibration Mount, Frame	4
32	90305-0800-3305	Hexagon Flange Nut, M8, Black Zinc	9
33	90001-0850-0301	Hexagon Flange Bolt, M8 x 50, Black Zinc	4
34	24329-YGM0210-H2A0	Block 1	1
35	51016-YJ70110-H2A0	Support Leg	2
36	90685-D105-0EA0	Clamp, Ø10.5 x 8 x 0.8	1
37	24329-YJ70110-H200	Block 2	2
38	51014-YJ70110-0000	Vibration Mount, Support Leg	2
39	90001-0625-0305	Hexagon Flange Bolt, M6 x 25, Black Zinc	1
40	90415-0600-Z301	Lock Washer, Toothed, Black Zinc	1
41	30009-Y910110-0000	Grounding Wire, 260mm	1
42	90408-0600-E305	Flat Washer, Black Zinc	3
43	90403-0600-0305	Spring Washer, Black Zinc	2
44	90303-0600-3305	Hexagon Nut, M6, Black Zinc	1
45	90312-0600-0301	Wing Nut, M6, Black Zinc	1
46	90504-Y9X0110-0305	Pin Shaft, Black Zinc	2
47	54110-YJ90110-H2A0	Handle, Ø25 x 1.2	1
48	54101-YGM0110-L400	Handle Sheath	1
49	90103-0416-5301	Screw, M4 x 16, Black Zinc	2
50	90722-YEC0110-0001	Plug, End	2
51	90583-YGK0110-03A0	R Pin, Black Zinc	2
52	18101-Z0D0310-00A0	Exhaust Outlet Gasket	1
53	18100-YGM0213-H7A0	Muffler Assembly	1
54	90001-0816-0305	Hexagon Flange Bolt, M8 x 16, Black Zinc	3
55	90303-0800-0301	Hexagon Nut, M8, Black Zinc	2
56	90139-0510-0900	Hexagon Flange Bolt, M5 x 10, Black Zinc	4
57	18250-YGM0110-0000	Spark Arrestor	1
58	31112HYGM0210-0000	DC Wire Harness, Battery	1
59	31114HYGM0110-0001	DC Wire Harness, Engine	1
60	31110-Y9X0110-00A0	Battery,12V/14Ah, 150x85x130	1

#	Part Number	Description	Qty.
61	31115-Y6D0110-0001	Band, Battery, 246×20×3.5	1
62	90303-0500-31A0	Hexagon Nut, M5, White Zinc	2
63	90403-0500-03	Standard Spring Washer, Black Zinc	2
64	31330-YJ90110-0000	Rotor, AL, D190 x 158	1
65	31310-YJ90110-0000	Stator, AL, D190 x 158	1
66	31303HY090110-0000	Terminal Block	1
67	31320-YHD0120-0000	Carbon Brush Subassembly	1
68	31300-YJ90110-0000	Alternator Assembly, AL, D190 x 158	1
69	90001-0516-0105	Hexagon Flange Bolt, M5 x 16, White Zinc	6
70	30021-YJ70111-00A0	Bracket, Motor	1
71	31316HYDK0110-0000	Stator Fixing Bolt, M5 x 235	2
72	90408-Y030110-0100	Flat Washer, White Zinc	1
73	30049-Y950110-0101	Bolt M10 x 285, Rotor, White Zinc	1
74	30048-Y950110-0100	Bolt M6 x 199, Stator, White Zinc	4
75	30060-YHD0110-0000	AVR	1
76	51124-YJ70110-0100	Mounting Bracket, White Zinc	1
77	90007-0512-A301	Hexagon Flange Bolt, M5 x 12, White Zinc	2
78	30022-YJ70110-L400	Cover, End Housing, Yellow	1
79	30023-YGM0110-0900	Stopper, Motor Right Cover	1
80	30024-Y730110-0001	Shroud, Motor	1
81	90001-0510-0105	Hexagon Flange Bolt, M5 x 10, White Zinc	2
82	35680-YJ90110-Q200	Seat, Panel	1
83	35632-YGM0111-0000	Display, INT1BOF	1
84	31234-YGK0110-0000	30Amp Circuit Breaker, Push Button, 125/250V	2
85	35654-YGK0110-0000	Cover, Push Button	4
86	35627-YEE0210-0000	33Amp Circuit Breaker, 2P flip, 250V	1
87	31234-YBE0210-0000	20Amp Circuit Breaker, Push Button, 250V	2
88	30008-YJ30110-0000	Control Module, OV0402	1
89	30007-Y9X0210-0000	The Charging Module	1
90	30008-YJ30210-0000	Control Module, EV10	1
91	35614-Y090110-0000	L14-30R Receptacle, 30A, 125V/250V	1

#	Part Number	Description	Qty.
92	35614-Y400110-0000	14-50R Receptacle, 50A, 125V/250V	1
93	35654-YGK0610-0000	Receptacle Cover, L14-30R	1
94	35654-YGK0810-0000	Receptacle Cover, 14-50R	1
95	35654-YGK0910-0000	Receptacle Cover, 5-20R	2
96	35614-Y9X0110-0000	5-20R GFCI Receptacle, 20A, 125V	2
97	35650-YJ90110-H200	Control Panel	1
98	35610-YJ90210-H200	Control Panel Assembly	1
99	90007-0616-A305	Hexagon Flange Bolt, M6 x 16, Black Zinc	4
100	90727-Y020110-00A0	Band 1	2
101	30009-YJ70110-0000	Grounding Wire, 110mm	1
102	90729-YJ90110-0000	Vent Hose, 9.5× 16.8×290	1
103	16750-YJ70111-0000	Fuel Valve Assembly	1
104	35643-YJ70111-Q2A0	Knob, Switch Dial, Engine	1
105	82007-YJ70110-L400	Decorative Covers	1
106	90124-Y9T0510-00A0	Self Tapping Screw, PT5×16	4
107	77100-Z6D0110-0000	LPG Regulator	1
108	16287-YJ30110-0000	Dust Cap	1
109	90748-1016-00A0	Clamp, 12-18	3
110	90134-YB00110-00A0	Bolt, Cross Hexagon Pan Head, M5 x 12, Black Zinc	3
111	90103-0412-01	Screw, M4 x 12, White Zinc	1
112	77300-YJ70110-0000	LPG Hose with Regulator	1
113	96003-ZSS1710-0000	Driving Assembly	1
114	96003-ZSS1810-0000	Panel Assembly	1
115	96003-ZSS1910-0000	Handle Assembly	1
116	35160-YJ90110-0000	Switch Assembly, Engine	1
117	90685-YJ30110-Q200	Clamp	1
118	90001-0620-0305	Hexagon Flange Bolt, M6 x 20, Black Zinc	2
119	90001-0816-0109	Hexagon Flange Bolt, M8 x 16, White Zinc	2
120	18030-YJ70110-0900	Muffler Bracket	1
121	80019-YJP0210-H7A0	Guide Hood, Muffler	1
122	90007-0612-A301	Hexagon Flange Bolt, M6 x 12, White Zinc	4

#	Part Number	Description	Qty.
123	90408-0500-E1A0	Flat Washer, Ø5, White Zinc	2
124	90001-0512-0301	Hexagon Flange Bolt, M5 x 12, Black Zinc	2

ENGINE PARTS DIAGRAM



ENGINE PARTS LIST

#	Part Number	Description	Qty.
1	90001-0612-0101	Hexagon Flange Bolt, M6 x 12, White Zinc	4
2	12410-Z0D0110-01A0	Cylinder Head Cover Subassembly, White Zinc	1
3	12004-Z0J0510-0000	Cylinder Head Cover Gasket	1
4	14310-Z0D0110-0000	Valve Rocker	2
5	17004-Z0D0210-0000	Tube, Breather	1
6	14318-Z990110-0000	Rocker Arm Shaft Assembly	2
7	90001-0612-03	Hexagon Flange Bolt, M6 x 12, Black Zinc	10
8	12419-Z950210-0000	Cylinder Head Pin Limit Plate, 1.5	1
9	12109-Z0D0110-00A0	Valve Lock Clamp	4
10	12104-Z010110-0000	Rotator, Valve	2
11	12112-Z0D0110-0000	Valve Spring Retainer	2
12	12103-Z990110-0000	Valve Spring	2
13	12003-Z0N0110-0100	Cylinder Head Bolt, M10x 85, White Zinc	4
14	90203-Z010110-0301	Stud, M8 x 34, Black Zinc	2
15	12101-Z020110-0000	Seal Guide	1
16	30010-Z010110-00A0	Spark Plug, F6RTC	1
17	12140-Z6B0210-0BA0	Cylinder Head	1
18	12131-Z6B0110-00A0	Cylinder Head Gasket	1
19	90502-1220-00	Pin, 12 x 20	2
20	12121-Z6B0110-0000	Exhaust Valve	1
21	12111-Z0D0210-0000	Inlet Valve	1
22	14070-Z0D0110-0000	Valve Lifter	2
23	14081-Z080110-0000	Valve Tappet	2
24	13200-Z0J0110-00A0	Piston Ring Assembly	1
25	13111-Z6B0210-00A0	Piston	1
26	13010-Z6B0210-00A0	Connecting Rod	1
27	13121-Z100110-00A0	Piston Pin	1
28	13122-Z100110-0000	Piston Pin Clip	2
29	11007-Z080110-0300	Drain Plug Bolt, M12x18, Black Zinc	2
30	90412-Z080110-0000	Washer, Ø21x Ø12x 2	2

#	Part Number	Description	Qty.
31	19304-Z100210-0101	Cylinder Body Shroud	1
32	19306-Z0D0110-0100	Crankcase Air Deflector, White Zinc	1
33	90001-0610-03	Hexagon Flange Bolt, M6 x 10, Black Zinc	2
34	11310-Z6B0110-0BA0	Crankcase Subassembly	1
35	09100-Z170310-0100	Starter Motor	1
36	90684-Z030120-0001	Clip, Ø6 x 10.6 x 100	1
37	28101-Z080110-0001	Plug, Rubber	1
38	90001-0835-0102	Hexagon Flange Bolt, M8 x 35, White Zinc	2
39	90682-Z0J0110-0001	Oil Seal, Ø50 x Ø40 x 9	2
40	90548-0202-CL	Bearing, 6202	2
41	37060-Z080410-0000	Engine oil Sensor, W/O Nut	1
42	90001-0616-01	Hexagon Flange Bolt, M6 x 16, White Zinc	2
43	90305-Z010210-0101	Hexagon Flange Nut, M10, White Zinc	1
44	13401-Z0D0110-0000	Balancing Shaft	1
45	13300-Z0D0110-00A0	Crankshaft Assembly	1
46	14200-Z0D0110-0009	Camshaft Assembly	1
47	90502-0812-00	Pin, Ø8x 12	2
48	11001-Z0D0110-0000	Crankcase Gasket	1
49	16400-Z100110-0000	Governor Gear Assembly	1
50	90547-6208-00A1	Bearing, 6208	1
51	15010-Z0D0110-L400	Oil Dipstick Subassembly	1
52	11411-Z0D0110-0BA1	Crankcase Cover	1
53	90001-0840-03	Hexagon Flange Bolt, M8 x 40, Black Zinc	9
54	16520-Z0D0110-0100	Throttle Control Assembly, White Zinc	1
55	16061-Z0D0110-0000	Governor Arm	1
56	90682-Z100210-0001	Oil Seal, Ø14 x Ø8x 4	1
57	90412-Z080210-0000	Washer, Ø19.5x Ø8.4x 0.8	2
58	90501-Z010110-0001	Pin, White Zinc	1
59	16070-Z100310-01A0	Governor Support Subassembly, White Zinc	1
60	16072-Z010110-0001	Governor Support Bolt, M6 x 21, White Zinc	1

#	Part Number	Description	Qty.
61	90305-0600-3101	Hexagon Flange Nut, M6, Blue Zinc	3
62	16063-Z0D0110-0100	Spring, Governor	1
63	16012-Z080110-0000	Throttle Valve Returning Spring	1
64	16062-Z100110-0001	Gouverneur Rod, White Zinc	1
65	90684-Z080110-0001	Clip	2
66	28110-Z710210-L401	Shroud	1
67	28261-Z980110-0001	Retainer Ring, Recoil Starter	1
68	28200-Z590110-H301	Recoil Starter Assembly	1
69	90001-0620-03	Hexagon Flange Bolt, M6 x 20, Black Zinc	3
70	30400-Z0D0110-00A0	Ignition Coil	1
71	90001-0628-01	Hexagon Flange Bolt, M6 x 28, White Zinc	2
72	13510-Z0D0410-0000	Flywheel Subassembly	1
73	19352-Z100120-00A2	Cooling Fan, Engine	1
74	28002-Z0D0110-0000	Starter Pulley, White Zinc	1
75	13501-Z080110-0000	Flywheel Nut, M16 x 1.5, White Zinc	1
76	90204-Z100410-00A0	Stud, M6/M8 x 100, Black Zinc	2
77	17002-Z0D0110-0000	Gasket, Inlet	1
78	16003-Z0D0110-0001	Carburetor Insulator Plate	1
79	16001-Z100110-0000	Carburetor Gasket	1
80	16100-Z6D0111-00M0	Carburetor Assembly	1
81	90685-Z030610-01A1	Clamp, Ø8 x 7 x 0.6, White Zinc	1
82	90686-Z510110-00M1	Fuel Tube, Ø4.5 x Ø8.5 x 190	1
83	90748-1016-00A0	Clamp	1
84	90729-Z6D0110	Vent Tube, Ø9.5×Ø16.8×485	1
85	17001-Z0D0110-0000	Air Cleaner Gasket	1
86	17100-Z0D0210-000A	Air Cleaner	1
87	17151-Z0D0210-0000	Element 1, Air Cleaner	1
88	17151-Z0D0310-0000	Element 2, Air Cleaner	1
89	16112-Z080110-0000	Seal Ring, Float	1

#	Part Number	Description	Qty.
90	16161-Z0C0110-00A2	Main Jet(H128×0.39), Standard	1
	16161-Z191210-00A2	Main Jet(H128 x 0.41), Altitude 3000-6000 Feet	/
	16161-Z100410-00A2	Main Jet(H128×0.43), Altitude 6000-8000 Feet	/
91	90681-Z080110-0000	Seal Ring	1
92	QGT-R500DV-001	Cylinder Head Subassembly	1
93	HYQ-R500DV-001	Carburetor Subassembly	1

WIRING DIAGRAM

R9000DPN-PA (CMP8.0KW船型电动机双燃料201035) 201035

