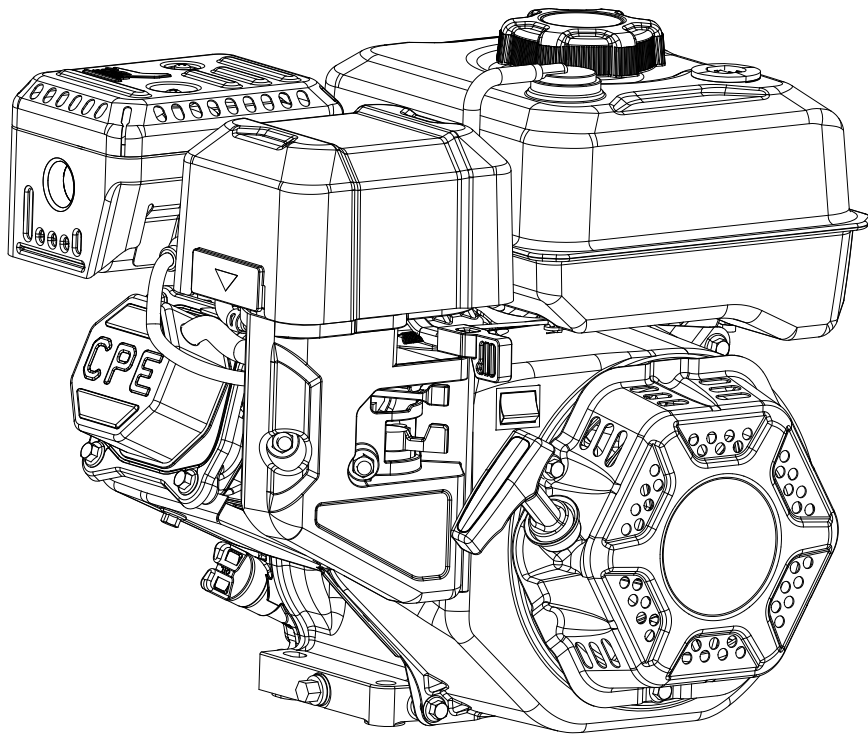




Champion Power Equipment, Inc.

MODEL #100738



PARTS INFORMATION

224cc ENGINE

SERIAL NUMBER RANGE: ALL



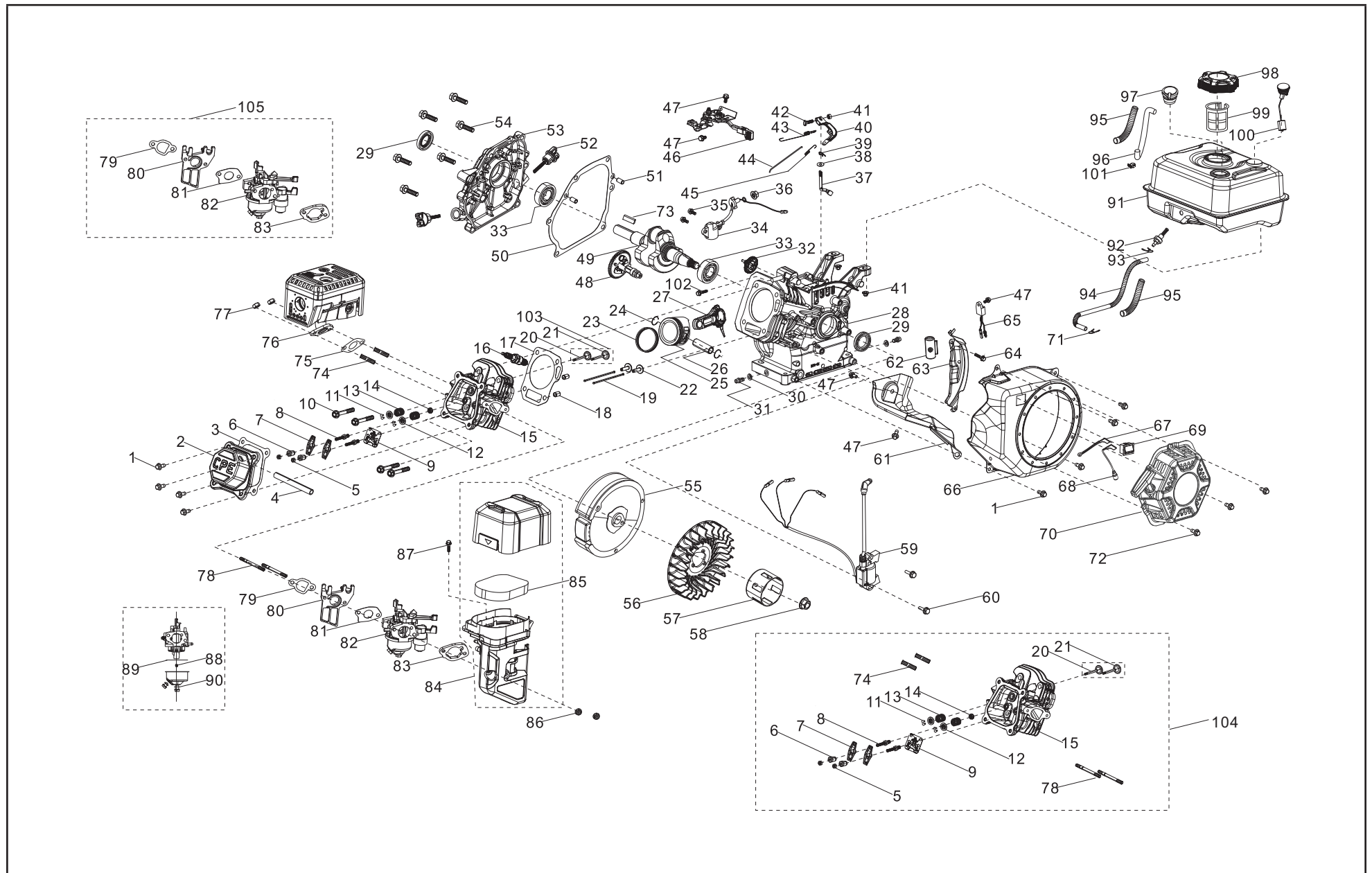
To order replacement parts please visit:
shop.championpowerequipment.com
or call **1-877-338-0999**.

TABLE OF CONTENTS

Engine Parts Diagram 3

Engine Parts List..... 4

ENGINE PARTS DIAGRAM



ENGINE PARTS LIST

#	Part Number	Description	Qty.
1	90001-0612-0101	Hexagon Flange Bolt, M6 x 12, Blue White Zinc	8
2	12410-Z440110-0001	Cylinder Head Cover Subassembly, Blue White Zinc	1
3	12004-Z440110-00A0	Cylinder Head Cover Gasket	1
4	17004-Z440110-0002	Tube, Breather, Ø8 x Ø12 x 90	1
5	14312-Z010110-0000	Valve Lock Nut	2
6	14314-Z010110-0000	Valve Adjusting Nut	2
7	14311-Z010110-0000	Valve Rocker	2
8	14313-Z010110-0000	Valve Adjusting Bolt	2
9	14090-Z010110-0000	Lifter Stopper Plate Subassembly, Blue White Zinc	1
10	12003-Z010110-0001	Cylinder Head Bolt, M8 x 60, Blue White Zinc	4
11	12109-Z810110-0000	Valve Lock Clamp	4
12	12112-Z810210-0000	Valve Spring Retainer	2
13	12103-Z010110-0000	Valve Spring	2
14	12101-Z810210-0000	Seal Guide	1
15	12140-Z810210-00A0	Cylinder Head Subassembly	1
16	30010-Z010110-0000	Spark Plug, F6RTC	1
17	12131-Z950210-0000	Cylinder Head Gasket	1
18	90502-1114-00A0	Pin, 11 x 14	2
19	14071-Z440110-0000	Valve Lifter	2
20	12121-Z810120-0000	Exhaust Valve	1
21	12111-Z810110-0000	Inlet Valve	1
22	14081-Z040110-0000	Valve Tappet	2
23	13200-Z140210-00A9	Piston Ring Assembly	1
24	13122-Z510210-0000	Piston Pin Clip	2
25	13111-Z810120-00A0	Piston	1
26	13121-Z810110-0000	Piston Pin, Ø13 x Ø45.9	1
27	13010-Z810210-00A0	Connecting Rod	1
28	11310-Z810120-00A9	Crankcase Subassembly	1

#	Part Number	Description	Qty.
29	90682-Z300110-0001	Oil Seal, Ø25 x Ø41.25 x 6	2
30	90408-Z010110-00A0	Washer, Ø10 x Ø15.8 x 1.5	2
31	11007-Z010110-0001	Drain Plug Bolt, M10 x1.25 x15, Blue White Zinc	2
32	16400-Z810210-0000	Governor Gear Assembly	1
33	90547-0205-00A0	Bearing	2
34	37060-Z010120-0001	Engine oil Sensor, W/O Nut	1
35	90001-0614-01A0	Hexagon Flange Bolt, M6 x 14, Blue White Zinc	2
36	90305-Z010210-0101	Hexagon Flange Nut, M10, Blue White Zinc	1
37	16061-Z010110-0000	Governor Arm	1
38	90408-Z010210-00A0	Washer, Ø 6.2 x Ø 15 x 0.6	1
39	90501-Z010110-0001	Pin, Blue White Zinc	1
40	16070-Z010110-0001	Governor Support Subassembly, Blue White Zinc	1
41	90305-0600-3101	Hexagon Flange Nut, M6, Blue White Zinc	3
42	16072-Z010110-0001	Governor Support Bolt, M6 x 21, Blue White Zinc	1
43	16063-Z810210-0000	Spring, Governor	1
44	16062-Z010110-0001	Governeor Rod, Blue White Zinc	1
45	16012-Z010310-0000	Throttle Valve Returning Spring	1
46	16520-Z012610-0100	Throttle Control Assembly, Blue White Zinc	1
47	90001-0610-0101	Hexagon Flange Bolt, M6 x 10, Blue White Zinc	5
48	14200-Z810310-0000	Camshaft Assembly	1
49	13300-Z812110-0000	Crankshaft Assembly	1
50	11001-Z440110-00A0	Crankcase Gasket	1
51	90502-0912-00A0	Pin, 9 x 12	2
52	15010-Z290110-L401	Oil Dipstick Subassembly	2
53	11411-Z440410-00A0	Crankcase Cover	1
54	90001-0832-0101	Hexagon Flange Bolt, M8 x 32, Blue White Zinc	6
55	13510-Z440410-0000	Flywheel Subassembly	1

#	Part Number	Description	Qty.
56	19352-Z440110-0001	Impeller	1
57	28002-Z0L0110-0000	Starter Pulley, Blue White Zinc	1
58	13501-Z010110-00A0	Flywheel Nut, M14 x 1.5, Blue White Zinc	1
59	30400-Z441010-0001	Ignition Coil	1
60	90001-0625-01A0	Hexagon Flange Bolt, M6 x 25, Blue White Zinc	2
61	19304-Z010610-0001	Cylinder Body Shroud, Blue White Zinc	1
62	90684-Z010510-0000	Clip	1
63	19340-Z011010-0000	Lower Shield, Blue White Zinc	1
64	90001-0616-01A0	Hexagon Flange Bolt, M6 x 16, Blue White Zinc	1
65	37050-Z010210-0001	Oil Protector, Blue White Zinc	1
66	28110-Z810310-L400	Shroud	1
67	35555-Z810110-0000	Switch Connector Grounding Wire	1
68	35541-Z010610-0000	Stop Engine Connecting Wire	1
69	35540-Z010610-R901	Stop Engine Switch Subassembly	1
70	28200-Z141010-H200	Recoil Starter Assembly	1
71	90251-0608-03	Bolts and Washer	3
72	90685-Z030610-01A1	Clamp, Ø8 x 0.6 x 7	1
73	90521-U060110-00A0	Key	1
74	90203-Z010110-0000	Stud, M8 x 34, Black Zinc	2
75	18001-Z440110-00A0	Exhaust Gasket	1
76	18100-Z140411-0003	Muffler Assembly	1
77	90303-0800-3101	Hexagon Nut, M8, Blue White Zinc	2
78	90204-Z620110-00A0	Stud, M6 x 115, Black Zinc	2
79	16002-Z010110-0000	Carburetor Insulator Gasket	1
80	16003-Z010110-0000	Carburetor Insulator Plate	1
81	16001-Z010110-0000	Carburetor Gasket	1
82	16100-Z811411-00M3	Carburetor Assembly	1
83	17001-Z010210-0000	Air Cleaner Gasket	1
84	17100-Z011910-00A1	Air Cleaner	1
85	17151-Z2M0110-0000	Air Cleaner Element	1
86	90305-0600-33	Hexagon Flange Nut, M6, Black Zinc	2

#	Part Number	Description	Qty.
87	90007-0630-A1A0	Hexagon Flange Bolt, M6 x 30, Blue White Zinc	1
88	16161-Z152010-00A1	Main Jet, Standard	1
	16161-Z151810-00A5	Main Jet, Altitude 3000-6000 Feet	1
	16161-Z151610-00A3	Main Jet, Altitude 6000-8000 Feet	1
89	16112-Z010110-0000	Seal Ring, Float	1
90	90681-Z010610-0000	Seal Ring	1
91	16620-Z810110-H200	Fuel Tank	1
92	16680-Z010110-0001	Fuel Tank Oil Outlet Subassembly	1
93	90740-Z010510-00A1	Clamp	1
94	90686-Z010710-00M1	Fuel Pipe, Ø4.5 x Ø8.5 x 160	1
95	30431-Z010110-0003	Rubber Jacket, Ø9.5 x Ø11 x 90, Black	2
96	16805-Z810110-0001	Rubber Hose, Air Cleaner, Ø4.5 x Ø8.5 x 260	1
97	15150-Z810110-0001	Valve, One Way	1
98	16730-Z810110-0001	Fuel Tank Cap	1
99	16652-Z010810-0001	Fuel Strainer	1
100	37200-Z810210-0001	Fuel Gauge	1
101	90685-Z080110-00A0	Clamp, Ø8.5 x 0.6 x 8	1
102	90001-0630-0101	Hexagon Flange Bolt, M6 x 30, Blue White Zinc	1
103	12110-Z810120-0099	Valve Set	1
104	QGT-R225P-001	Cylinder Head Subassembly	1
105	HYQ-R225P-002	Carburetor Subassembly	1