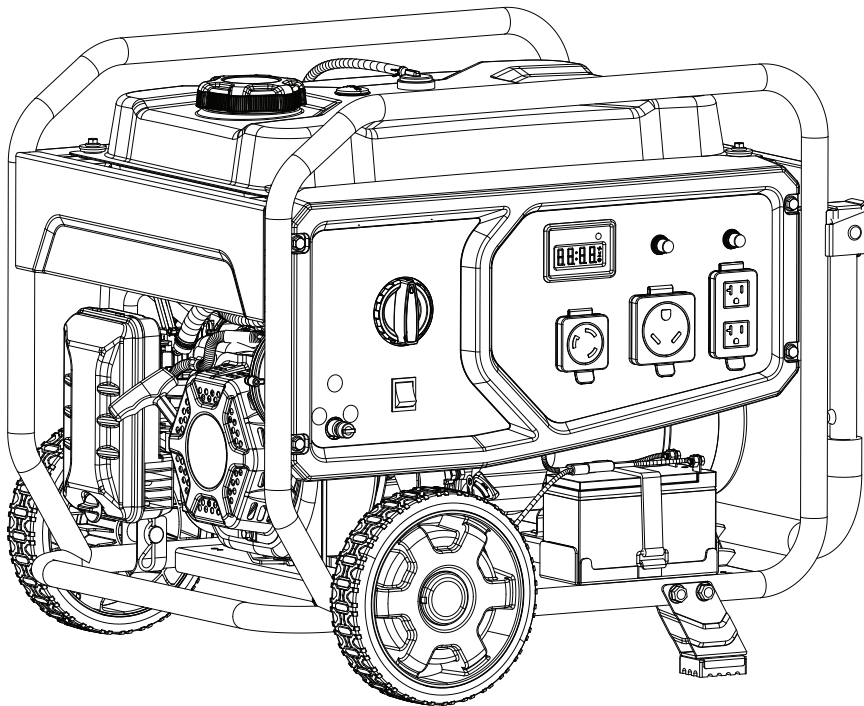


# Cabela's<sup>®</sup>

**MODEL #201006**



## **PARTS INFORMATION**

**4000W DUAL FUEL PORTABLE GENERATOR**  
**SERIAL NUMBER RANGE: ALL**



To order replacement parts please visit:  
[shop.championpowerequipment.com](http://shop.championpowerequipment.com)  
or call **1-877-338-0999**.

**POWERED by**  
**CHAMPION**  
POWER EQUIPMENT

REV 20221215

## **TABLE OF CONTENTS**

<b>Generator Diagram</b> .....	<b>3</b>
<b>Generator Parts List</b> .....	<b>4</b>
<b>Engine Diagram</b> .....	<b>5</b>
<b>Engine Parts List</b> .....	<b>6</b>
<b>Cylinder Head Diagram</b> .....	<b>8</b>
<b>Cylinder Head Parts List</b> .....	<b>9</b>
<b>Carburetor Diagram</b> .....	<b>10</b>
<b>Carburetor Parts List</b> .....	<b>11</b>
<b>Alternator Diagram</b> .....	<b>12</b>
<b>Alternator Parts List</b> .....	<b>13</b>
<b>Fuel Tank Diagram</b> .....	<b>14</b>
<b>Fuel Tank Parts List</b> .....	<b>15</b>
<b>Control Panel Diagram</b> .....	<b>16</b>
<b>Control Panel Parts List</b> .....	<b>17</b>
<b>Frame Assembly Diagram</b> .....	<b>18</b>
<b>Frame Assembly Parts List</b> .....	<b>19</b>
<b>Wiring Diagram</b> .....	<b>20</b>

# GENERATOR DIAGRAM

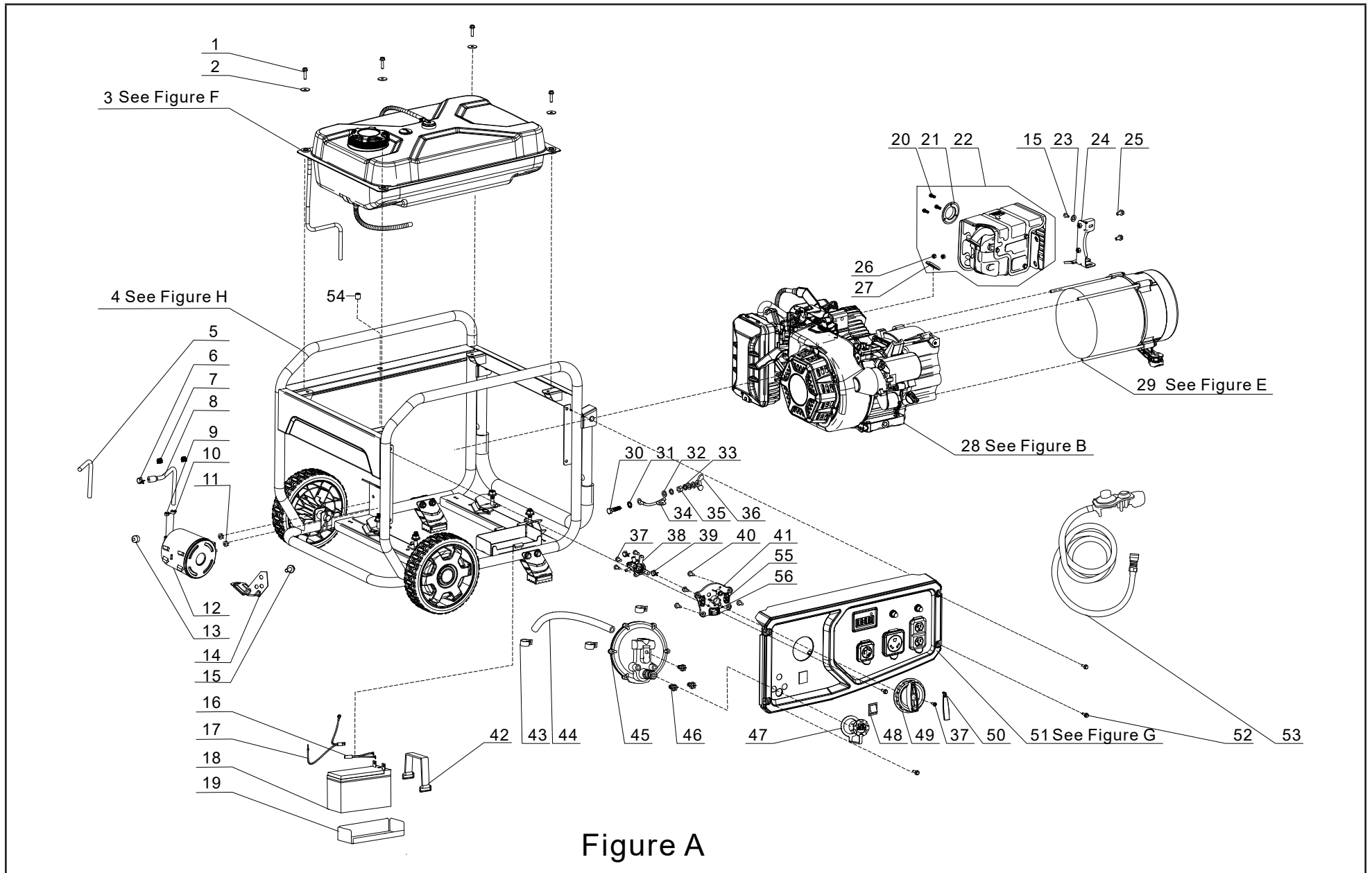


Figure A

## GENERATOR PARTS LIST

#	Part Number	Description	Qty.
1	90007-0620-A301	Hexagon Flange Bolt, M6 x 20, Black Zinc	4
2	90408-Y020110-0005	Flat Washer, Ø6, Black Zinc	4
3	201006 - YYXZ - F	Fuel Tank Assembly - See Figure F	1
4	201006 - JJZJ - H	Frame - See Figure H	1
5	30431-YCM0310-0001	Rubber Sleeve, Ø9.5 x Ø11 x 150	1
6	90685-Z030410-0G00	Clamp, Ø10.7 x 8 x 0.6	1
7	90685-YJ30110-Q200	Clamp, Ø8 x Ø9.5	2
8	16805-YGK0110-0001	Connection Pipe, Air Cleaner	1
9	90685-Z030610-0G01	Clamp, Ø8 x 0.6	1
10	90685-Z020110-0G00	Clamp, Ø9.5 x 8 x 0.8	1
11	90305-0600-0302	Hexagon Flange Nut, M6, Black Zinc	2
12	16801-YGK0110-00A0	Carbon Canister, Ø90 x 93, 400 cc	1
13	30351-YGK0110-00A0	Cover, Carbon Canister	1
14	17003-Y110130-0001	Air Cleaner Support	1
15	90001-0612-0305	Hexagon Flange Bolt, M6 x 12, Black Zinc	2
16	31112HYHB0110-0000	DC Wire Harness, Battery	1
17	31114HYHB0110-0000	DC Wire Harness, Engine	1
18	31110-YHB0110-00A0	Battery 12VDC, 9Ah	1
19	93097-YHB0110-00A0	Thermal Baffle	1
20	90106-0408-0000	Cross Recess Pan Head Screw, M4 x 8, Black Zinc	3
21	18250-YJ30110-0000	Spark Arrestor	1
22	18100-YJ30110-H7A0	Muffler Assembly	1
23	90406-0600-E305	Flat Washer, Ø6.4 x 18x1.6, Black Zinc	1
24	18030-YJ30110-H7A0	Muffler Bracket	1
25	90001-0816-0305	Hexagon Flange Bolt, M8 x 16, Black Zinc	2
26	90303-0800-3305	Flange Nut, M8, Black Zinc	2
27	18001-Z950110-00A0	Exhaust Outlet Gasket	1
28	R225DNO00FB-CMP308	Engine - See Figure B	1
29	201006 - DJZJ - E	Alternator - See Figure E	1

#	Part Number	Description	Qty.
30	90001-0625-0305	Hexagon Flange Bolt, M6 x 25, Black Zinc	1
31	90415-0600-Z301	Lock Washer, Toothed, Black Zinc	1
32	90408-0600-E305	Flat Washer, Black Zinc	3
33	90403-0600-0305	Spring Washer, Black Zinc	2
34	30009-Y910110-0001	Grounding Wire	1
35	90303-0600-3305	Hexagon Nut, M6, Black Zinc	1
36	90312-0600-0301	Wing Nut, M6, Black Zinc	1
37	90254-0416-51A0	Screw Assembly, M4x16, White Zinc	4
38	16750-YJ30110-0000	Fuel Valve Assembly	1
39	90685-Z080210-0G00	Clamp, Ø9 x 8x0.8	2
40	90124-Y9T0510-00A0	Self Tapping Screw, PT5x16	4
41	16757-YJ30110-Q2A0	Seat, Fuel Valve	1
42	31115-Y4G0110-0000	Band, Battery, 166x20x3.5	1
43	90748-1016-00A0	Clamp, Ø10 x 1.6	3
44	90729-YE40110-00A1	Vent Pipe	1
45	77100-Z6T0110-0000	Gas Pressure Reducing Valve	1
46	90134-YB00110-00A0	Bolt, Cross Hexagon Pan Head, M5 x 12	3
47	16287-YJ30110-0000	Dust Cap	1
48	35160-YJ10110-0000	Switch Combination	1
49	35643-YJ70110-Q2A0	Knob	1
50	82007-YJ70110-J300	Decorative Covers PMS 4195C	1
51	35610-YJ30111-H700	Control Panel Assembly - See Figure G	1
52	90007-0616-A305	Flange Bolt, M6 x 16, Black Zinc	4
53	77300-YJ30110-0000	LPG Hose With Regulator	1
54	90698-Y1Z0110-0001	Protective Rubber Sleeve	1
55	35190-YJ70210-0000	Switch 1, Engine Stop	1
56	35190-YJ70110-0000	Switch 2, Engine Stop	1

# ENGINE DIAGRAM

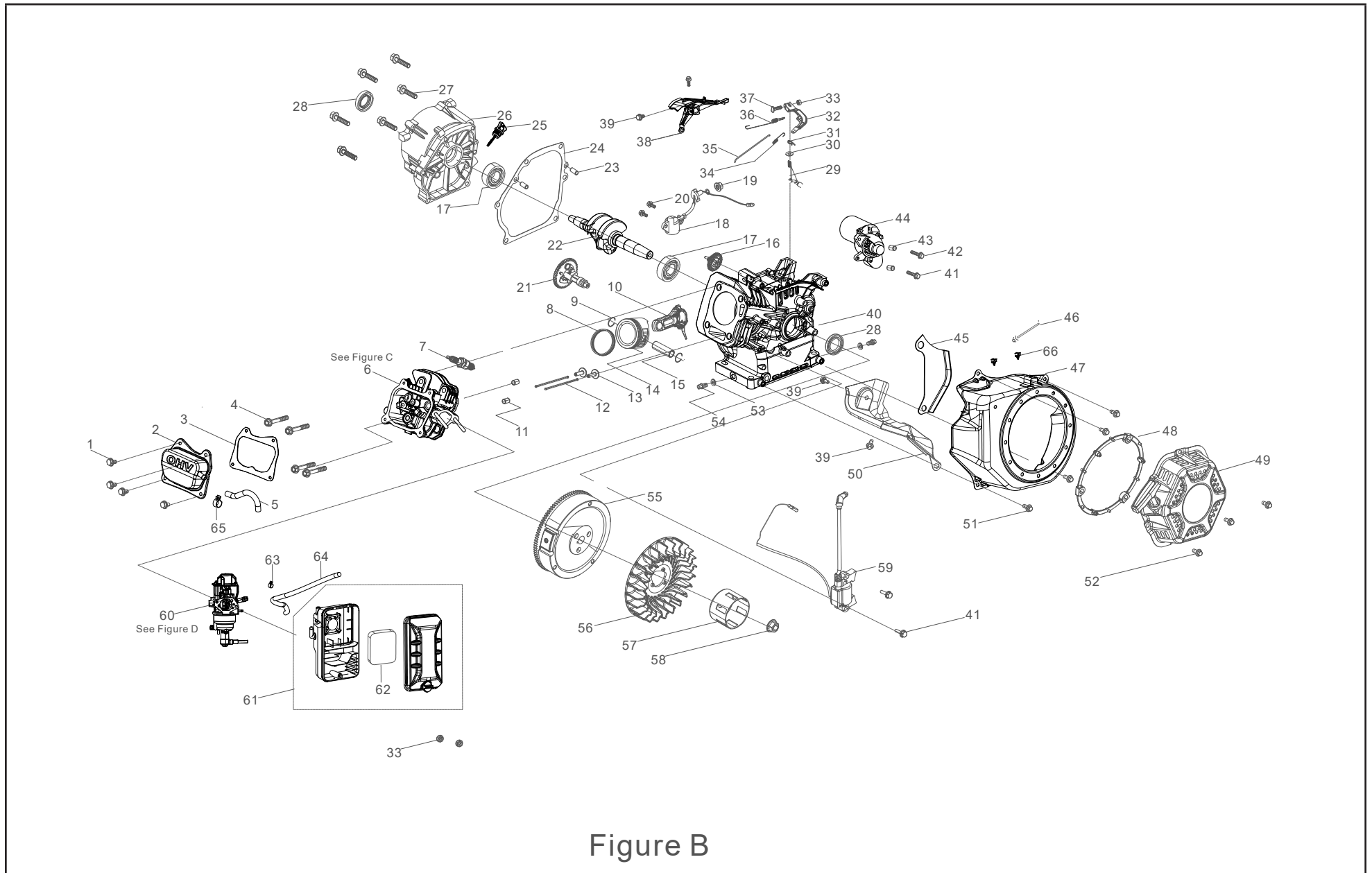


Figure B

**ENGINE PARTS LIST**

#	Part Number	Description	Qty.
1	90001-0612-0101	Hexagon Flange Bolt, M6 x 12, White Zinc	4
2	12410-Z4A0110-0100	Cylinder Head Cover Subassembly, White Zinc	1
3	12004-Z950410-00A0	Cylinder Head Cover Gasket	1
4	12003-Z010310-0000	Cylinder Head Bolt, M8 x 60, Black Zinc	4
5	17004-Z6X0110-0000	Tube, Breather, Ø8 x Ø12	1
6	R225DNV - QGT - C000	Cylinder Head - See Figure C	1
7	30010-Z010110-0000	Spark Plug, F6RTC	1
8	13200-Z390110-0000	Piston Ring Assembly	1
9	13122-Z010110-0000	Piston Pin Clip	2
10	13010-Z950110-00A0	Connecting Rod	1
11	90502-1114-00A0	Pin, Ø11 x 14	2
12	14071-Z950110-0000	Valve Lifter	2
13	14081-Z040110-0000	Valve Tappet	2
14	13111-Z4A0110-00A0	Piston	1
15	13121-Z010110-0000	Piston Pin, Ø18 x Ø54	1
16	16400-Z0X0110-00A0	Governor Gear Assembly	1
17	90547-0205-00A0	Bearing	2
18	37060-Z010510-0000	Engine oil Sensor, W/O Nut	1
19	90305-Z010210-0300	Hexagon Flange Nut, M10, Black Zinc	1
20	90001-0614-01A0	Hexagon Flange Bolt, M6 x 14, White Zinc	2
21	14200-Z4A0210-00A0	Camshaft Assembly	1
22	13300-Z950111-00A0	Crankshaft Assembly	1
23	90502-0912-00A0	Pin, 9 x 12	2
24	11001-Z440110-00A0	Crankcase Gasket	1
25	15010-Z2M0110-Q200	Oil Dipstick Subassembly	1
26	11411-Z530111-0BA0	Crankcase Cover	1
27	90001-0832-03	Hexagon Flange Bolt, M8 x 32, Black Zinc	6
28	90682-Z300110-0001	Oil Seal, Ø25 x Ø41.25 x 6	2
29	16061-Z010110-0000	Governor Arm	1
30	90408-Z010210-00A0	Washer, Ø6.2 x Ø15 x 0.6	1

#	Part Number	Description	Qty.
31	90501-Z010110-0001	Pin, White Zinc	1
32	16070-Z010110-0001	Governor Support Subassembly, White Zinc	1
33	90305-0600-33	Hexagon Flange Nut, M6, Black Zinc	3
34	16012-Z010310-0000	Throttle Valve Returning Spring	1
35	16062-Z010210-0100	Governor Rod, White Zinc	1
36	16063-Z010310-01A0	Spring, Governor, Ø6 x Ø0.8 x 115, White Zinc	1
37	16072-Z010310-0000	Governor Support Bolt, M6 x 21, Black Zinc	1
38	16520-Z4A0110-0000	Air Guide, Engine Fan, White Zinc	1
39	90001-0610-03	Hexagon Flange Bolt, M6 x 10, Black Zinc	4
40	11310-Z4A0210-0BA0	Crankcase Subassembly	1
41	90001-0625-01A0	Hexagon Flange Bolt, M6 x 25, White Zinc	3
42	90001-0635-01A0	Hexagon Flange Bolt, M6 x 35, White Zinc	1
43	90502-0810-00A0	Pin, , Ø8 x 10	2
44	09100-Z200310-0100	Starter Motor	1
45	19340-Z050410-0000	Lower Shield, White Zinc	1
46	90684-Z010310-0001	Clip, Ø6 x 10.6 x 130	1
47	28110-Z200710-L400	Shroud	1
48	28261-Z2M0110-0000	Retainer Ring, Recoil Starter	1
49	28200-Z141010-H200	Recoil Starter Assembly	1
50	19304-Z950120-0001	Cylinder Body Shroud	1
51	90001-0612-03	Hexagon Flange Bolt, M6 x 12, Black Zinc	4
52	90251-0618-03	Bolts With Washer, Black Zinc	3
53	90408-Z010510-00A0	Washer, Ø10 x Ø15.8 x 1.5	2
54	11007-Z010310-0000	Drain Plug Bolt, M10 x1.25 x15, Black Zinc	2
55	13510-Z440510-0000	Flywheel Subassembly	1
56	19352-Z440110-0001	Engine Fan	1
57	28002-Z1E0110-0000	Starter Pulley, White Zinc	1
58	13501-Z010110-00A0	Flywheel Nut, M14 x 1.5, White Zinc	1
59	30400-Z441110-0000	Ignition Coil	1
60	201006 - HYQ - D	Carburetor - See Figure D	1

#	Part Number	Description	Qty.
61	17100-Z2M0110-0000	Air Cleaner Assembly	1
62	17151-Z300310-0000	Element, Air Cleaner	1
63	90748-1016-00A0	Clamp, Ø10 x 16	1
64	90729-Z6T0110-0000	Vent Pipe, Ø9 x Ø16.8 x 300	1
65	90740-Z010810-01A0	Clamp, Ø11 x 14	1
66	90685-Z940310-0001	Clip	2

## CYLINDER HEAD DIAGRAM

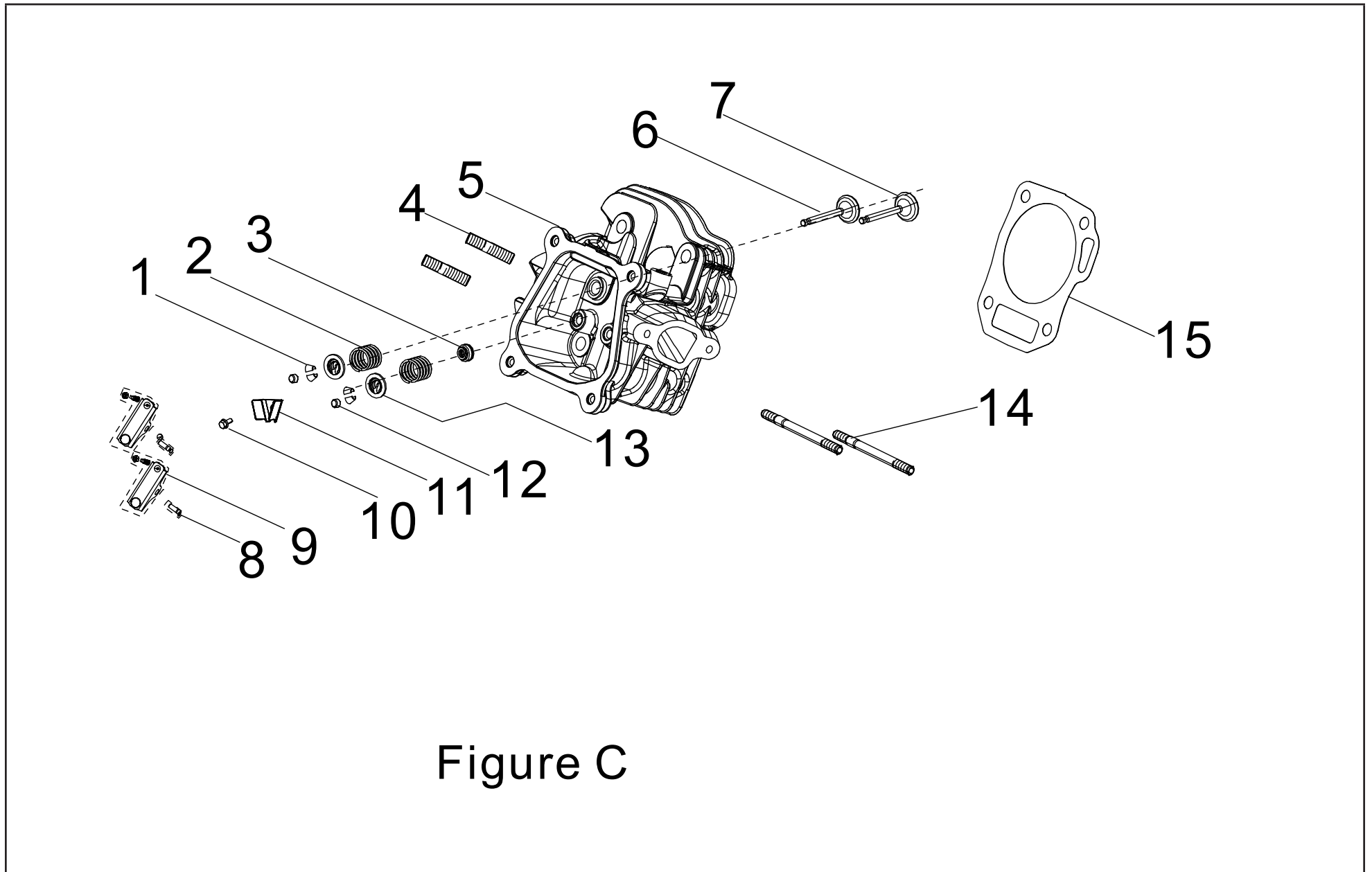


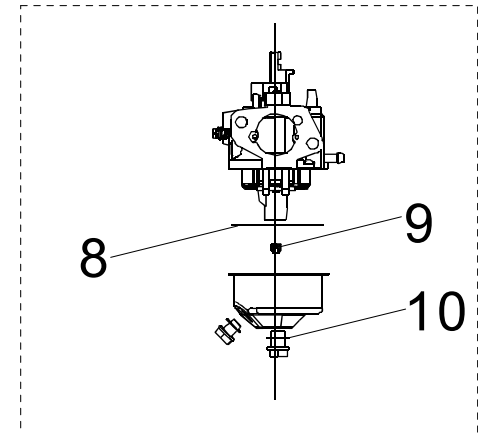
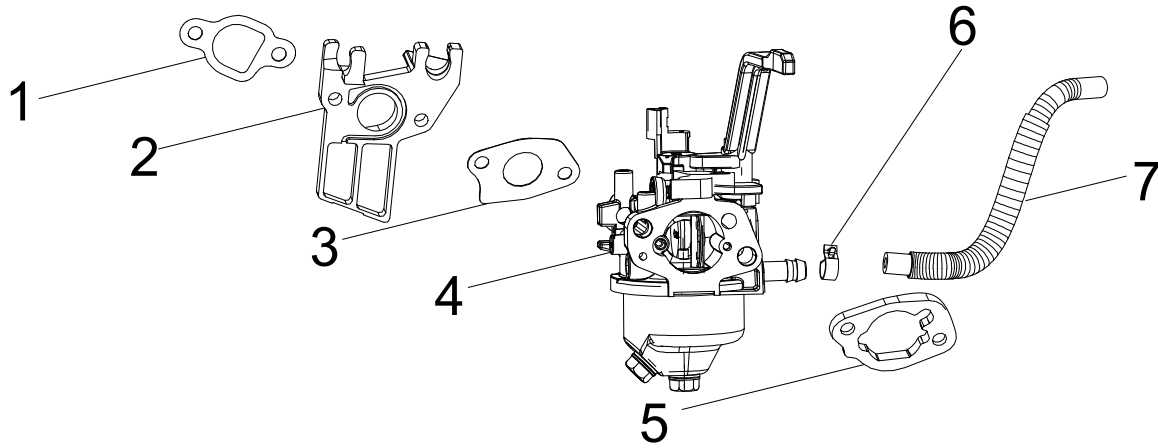
Figure C



## CYLINDER HEAD PARTS LIST

#	Part Number	Description	Qty.
1	12109-Z810110-0000	Valve Lock Clamp	4
2	12103-Z010110-0000	Valve Spring	2
3	12101-Z810210-0000	Valve Seal Guide	1
4	90203-Z010110-0000	Stud, M8 x 34, Black Zinc	2
5	12140-Z4A0110-0BA0	Cylinder Head Subassembly	1
6	12121-Z4A0110-00A0	Exhaust Valve	1
7	12111-Z4A0110-00A0	Inlet Valve	1
8	14318-Z950110-0000	Rocker Shaft Assembly	2
9	14310-Z950110-00A0	Valve Rocker Assembly	2
10	90001-0610-03	Hexagon Flange Bolt, M6 x 10, Black Zinc	1
11	12419-Z950310-00A0	Pin Stopper Plate, Cylinder Head Cover	1
12	12104-Z4A0110-00A0	Lash Cap, Valve, Ø5.6 x Ø8 x 3.55	2
13	12112-Z810210-0000	Valve Spring Retainer	2
14	90204-Z010210-0000	Stud, M6 x 96, Black Zinc	2
15	12131-Z4A0110-00A0	Gasket, Cylinder Head	1

## CARBURETOR DIAGRAM



See Figure D

**CARBURETOR PARTS LIST**

#	Part Number	Description	Qty.
1	16002-Z950110-0000	Carburetor Insulator Gasket	1
2	16003-Z950110-0000	Carburetor Insulator Plate	1
3	16001-Z010110-0000	Carburetor Gasket	1
4	16100-Z6S0110-00M0	Carburetor Assembly	1
5	17001-Z010210-0000	Air Cleaner Gasket	1
6	90685-Z080210-0001	Clamp, Ø8 x 8 x 0.8	1
7	90686-Z6T0210-00M0	Fuel Pipe, Ø4 x Ø10 x 385	1
8	16112-Z010110-0000	Seal Ring, Float	1
9	16161-Z151910-00A1	Main Jet (78#), Standard	1
	16161-Z151710-00A1	Main Jet (76#), Altitude 3000-6000 Feet	/
	16161-Z151510-00A2	Main Jet (74#), Altitude 6000-8000 Feet	/
10	90681-Z010510-0000	Seal Ring	1

# ALTERNATOR DIAGRAM

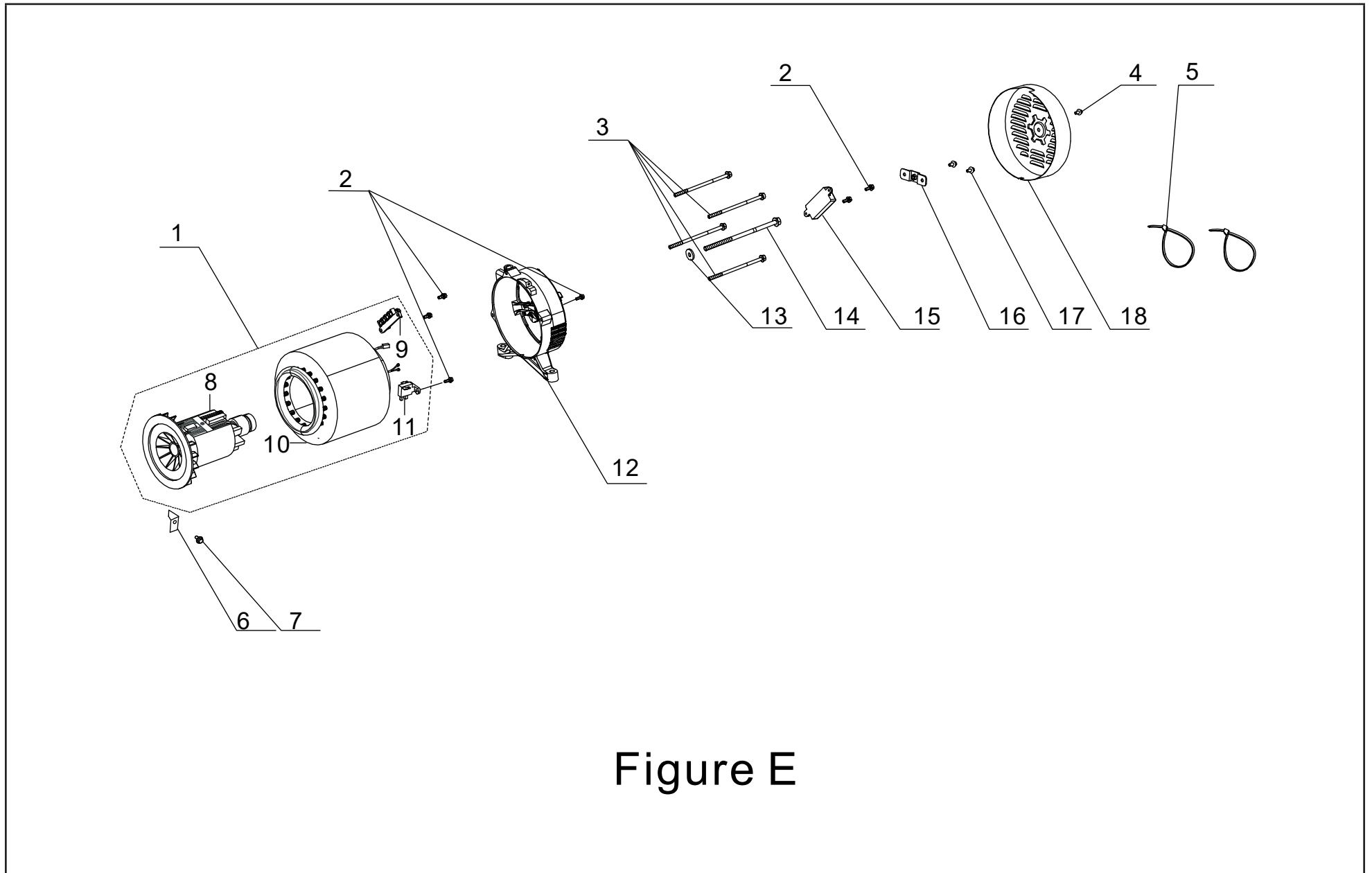


Figure E

**ALTERNATOR PARTS LIST**

#	Part Number	Description	Qty.
1	31300-YJ30110-0000	Alternator Assembly, AL, Ø160 x 130	1
2	90001-0516-01A1	Hexagon Flange Bolt, M5 x 16, Black Zinc	6
3	30048-YE30110-0900	Bolt M6 x 174, Stator, White Zinc	4
4	90007-0508-A301	Hexagon Flange Bolt, M5 x 8, Black Zinc	1
5	90727-Y040110-00A0	Band, 3.5 x 1.9	2
6	30023-Y020110-0900	Stopper, Motor Right Cover	1
7	90001-0612-0305	Flange Bolt, M6 x 12, Black Zinc	1
8	31330-YJ10110-0000	Rotor, AL, Ø160 x 130	1
9	31303HY020110-0000	Terminal Block	1
10	31310-YJ30110-0000	Stator, AL, Ø160 x 130	1
11	31320-YGK0110-0000	Carbon Brush Subassembly	1
12	30021-YJ30111- 00A0	Motor Bracket	1
	SN:≥RV2205110744		
13	90408-Y020210-0001	Flat Washer, Ø8.3 x Ø23 x 3,Black Zinc	1
14	30049-YE30110-0001	Bolt M8 x 230, Rotor, White Zinc	1
15	30060-YGK0110-0000	AVR	1
16	51124HYJ30110-0100	Mounting Bracket, Blue White Zinc	1
17	90005-0512-01A1	Hexagon Flange Bolt, M5 x 12, Blue White Zinc	2
18	30022-YJ30110-J300	Cover, End Housing PMS 4195C	1

## FUEL TANK DIAGRAM

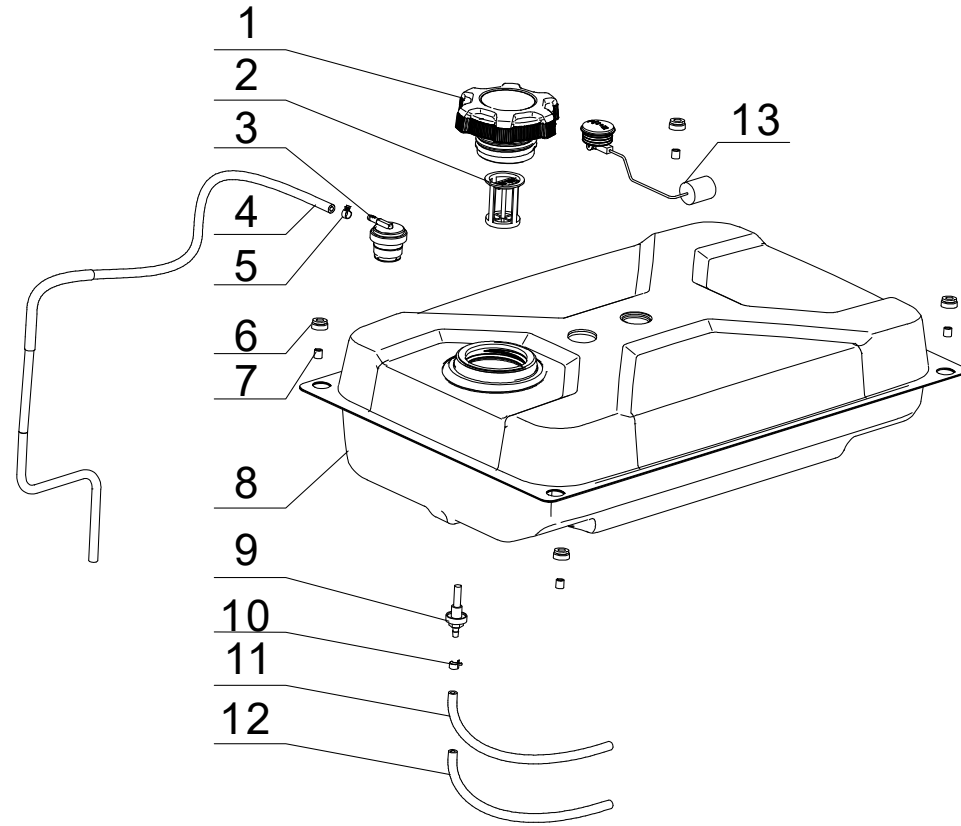


Figure F

**FUEL TANK PARTS LIST**

#	Part Number	Description	Qty.
1	16730-YGM0110-00A0	Fuel Tank Cap	1
2	16652-YGM0110-00A0	Fuel Filter	1
3	15150-YGK0110-00A0	One Way Valve	1
4	16804-YGK0210-0000	Tube, Fuel Tank Vent	1
5	90740-Z010610-00A1	Clamp, Ø9	1
6	16601-Y020210-0001	Vibration Mount, Fuel Tank	4
7	90683-Y020210-0100	Bushing, White Zinc	4
8	16620-YGK0310-J3A0	Fuel Tank, 4.7 gal, RMS 4195C	1
9	16680-YJ30110-00A0	Fitting, Fuel Tank Drain	1
10	90685-Z030410-0G00	Clamp, Ø10.7, Black Zinc	1
11	90686-YJ30210-00M0	Tube, Fuel Supply	1
12	30431-Z120310-0000	Rubber Sleeve, Ø13 x Ø11.5x 180	1
13	37200-YJ30110-00A0	Fuel Gauge	1

# CONTROL PANEL DIAGRAM

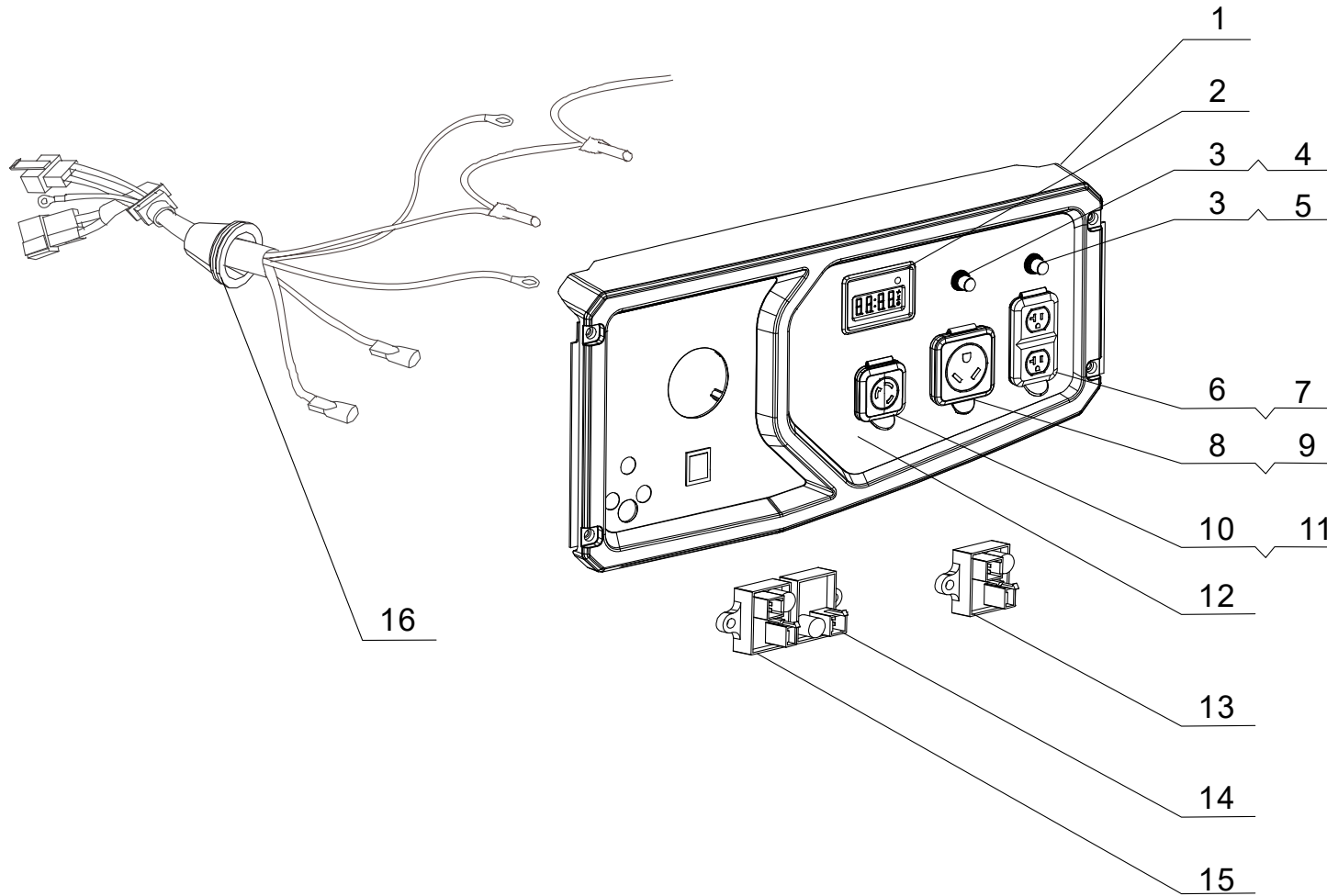


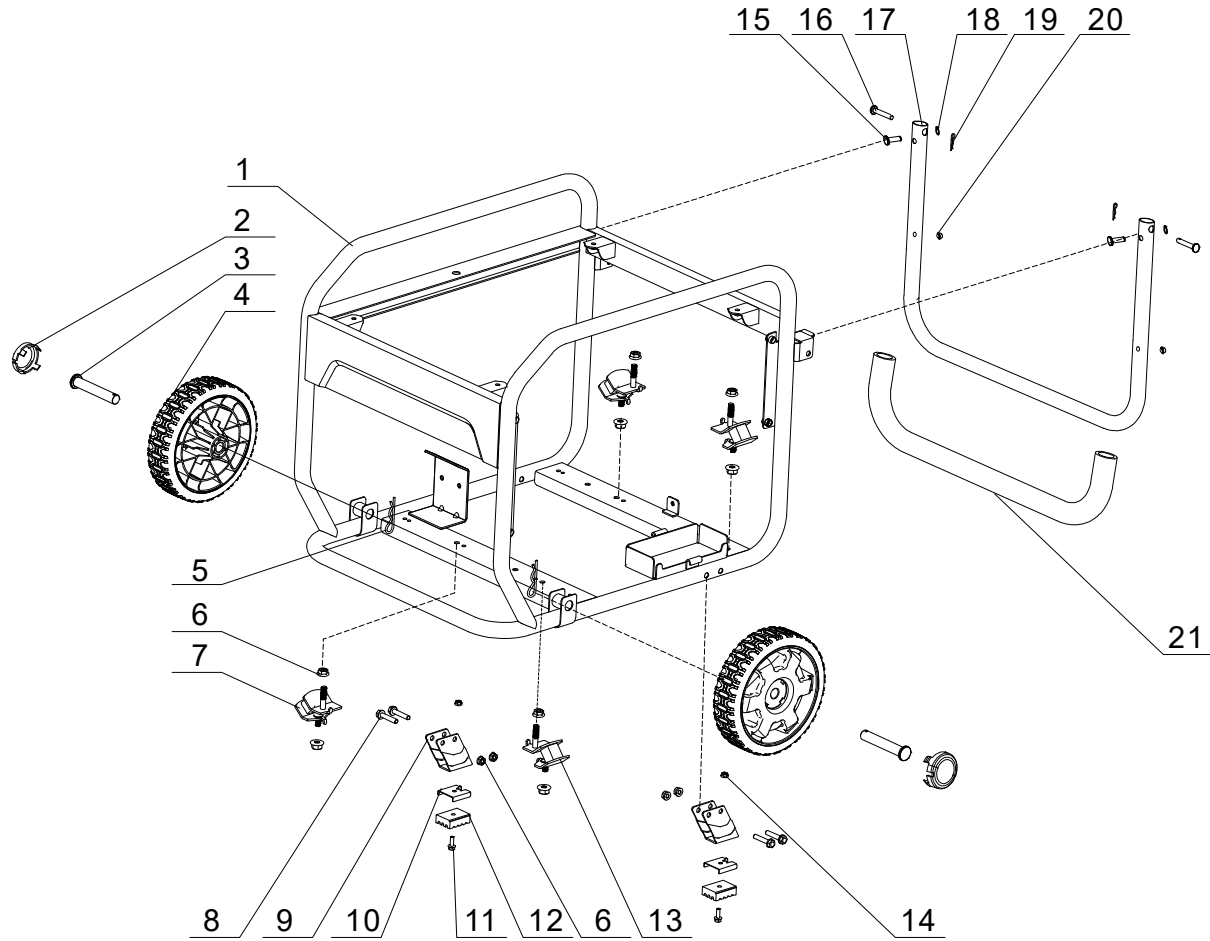
Figure G



**CONTROL PANEL PARTS LIST**

#	Part Number	Description	Qty.
1	35680-YJ30110-Q200	Housing, Control Panel	1
2	35632-YGM0110-0000	Display, INT1BOF	1
3	35654-YGK0110-0000	Cover, Push Botton	2
4	31234-YGK0110-0000	30 Amp Circuit Breaker, Push Botton	1
5	31234-YBE0210-0000	20 Amp Circuit Breaker, Push Botton	1
6	35614-Y730110-0000	5-20R Duplex Receptacle, 20A, 125V	1
7	35654-YBE0110-0000	Receptacle Cover, 5-20R	1
8	35614-Y2D0110-0000	TT-30R Receptacle, 30A, 125V	1
9	35654-YGK0310-0000	Receptacle Cover, TT-30R	1
10	35614-Y090210-0000	L5-30R Receptacle,30A,125V	1
11	35654-YGK0210-0000	Receptacle Cover,L5-30R	1
12	35650-YJ30110-H700	Control Panel	1
13	30008-YJ30210-0000	Control Module, Carburetor	1
14	30007-Y9X0210-0000	Charging Module	1
15	30008-YJ30110-0000	OVF Module	1
16	35660-YJ30110-0000	Wiring Harness, Control Panel	1

# FRAME ASSEMBLY DIAGRAM



FigureH

**FRAME ASSEMBLY PARTS LIST**

#	Part Number	Description	Qty.
1	51100-YJ30110-H7A0	Frame Assembly, Ø25, 590 × 461 × 480, Black C	1
2	44001-YJ30110-J300	Cover, Hub Decorated, PMS 4195C	2
3	44020-Y9X0110-0306	Roll Pin, Ø16 x 89.5, Black Zinc	2
4	44110-YJ30110-0000	8in. Wheel, PMS 4195 C	2
5	90501-Y2C0110-03A1	Pin, Black Zinc	2
6	90305-0800-3305	Hexagon Flange Nut, M8, Black Zinc	12
7	51005HY020120-0000	Vibration Mount 1, Frame	2
8	90001-0840-0301	Hexagon Flange Bolt, M8 x 40, Black Zinc	4
9	51016-YJ30110-H7A0	Support Leg	2
10	24329-YJ70110-H700	Bracket, Anti-Rotation	2
11	90001-0620-0305	Hexagon Flange Bolt, M6 x 20, Black Zinc	2
12	51014-YJ70110-0000	Vibration Mount, Support Leg	2
13	51011HY020120-0000	Vibration Mount 2, Frame	2
14	90305-0600-0302	Hexagon Flange Nut, M6, Black Zinc	2
15	90504-YJ70110-0300	Pin Shaft, Ø8 × 25, Black Zinc	2
16	90504-Y9X0110-0305	Pin Shaft, Ø8 × 40, Black Zinc	2
17	54110HYJ30110-H7A0	Handle, Ø25 x 1.2	1
18	90573-0800-0301	Spring Washer	2
19	90583-YGK0110-03A0	R-Clip Pin, Black Zinc	2
20	90722-YEC0110-0001	Plug, Handle	2
21	54101-YJ30110-0000	Handle Sheath	1

# WIRING DIAGRAM

