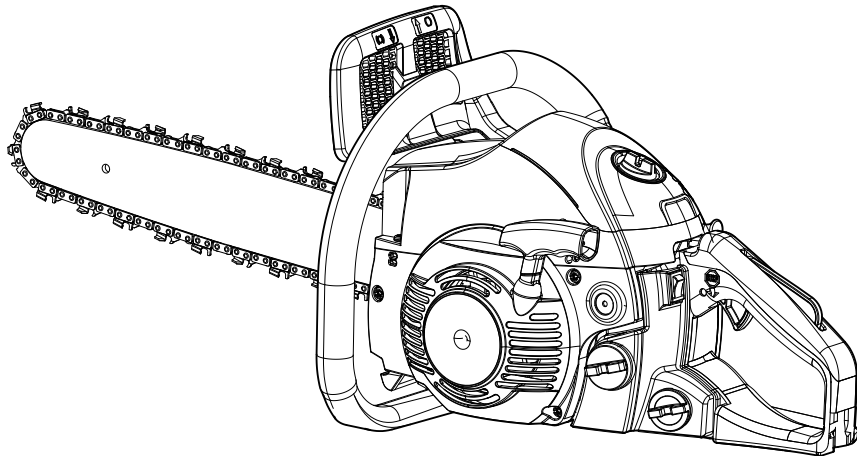




Champion Power Equipment, Inc., Santa Fe Springs, CA USA

MODEL #100647



PARTS INFORMATION

CHAINSAW

SERIAL NUMBER RANGE: ALL

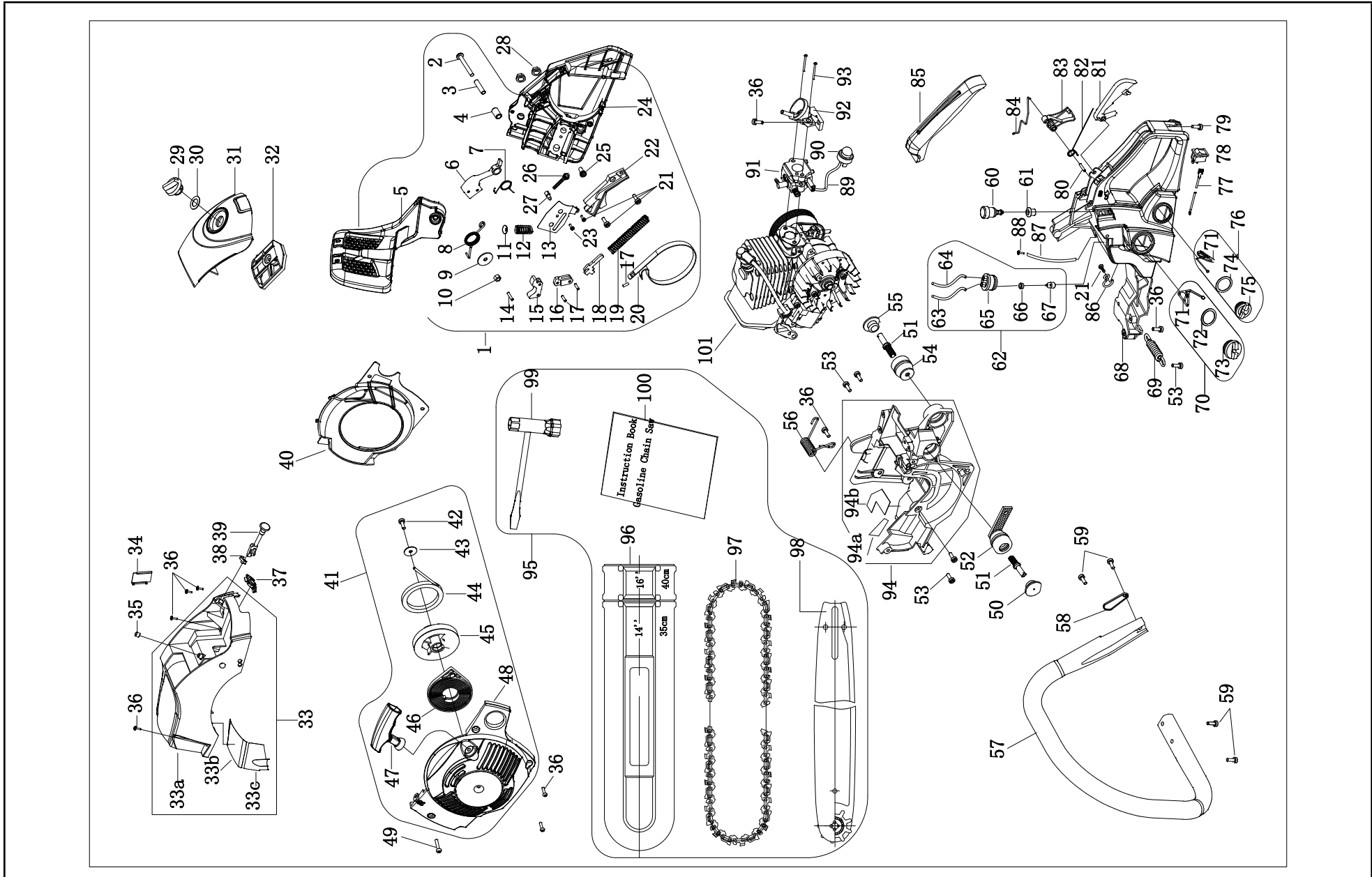


To order replacement parts please visit:
shop.championpowerequipment.com
or call **1-877-338-0999**.

TABLE OF CONTENTS

Chainsaw Parts Diagram	3
Chainsaw Parts List	4
Engine Parts Diagram	6
Engine Parts List	7

CHAINSAW PARTS DIAGRAM



CHAINSAW PARTS LIST

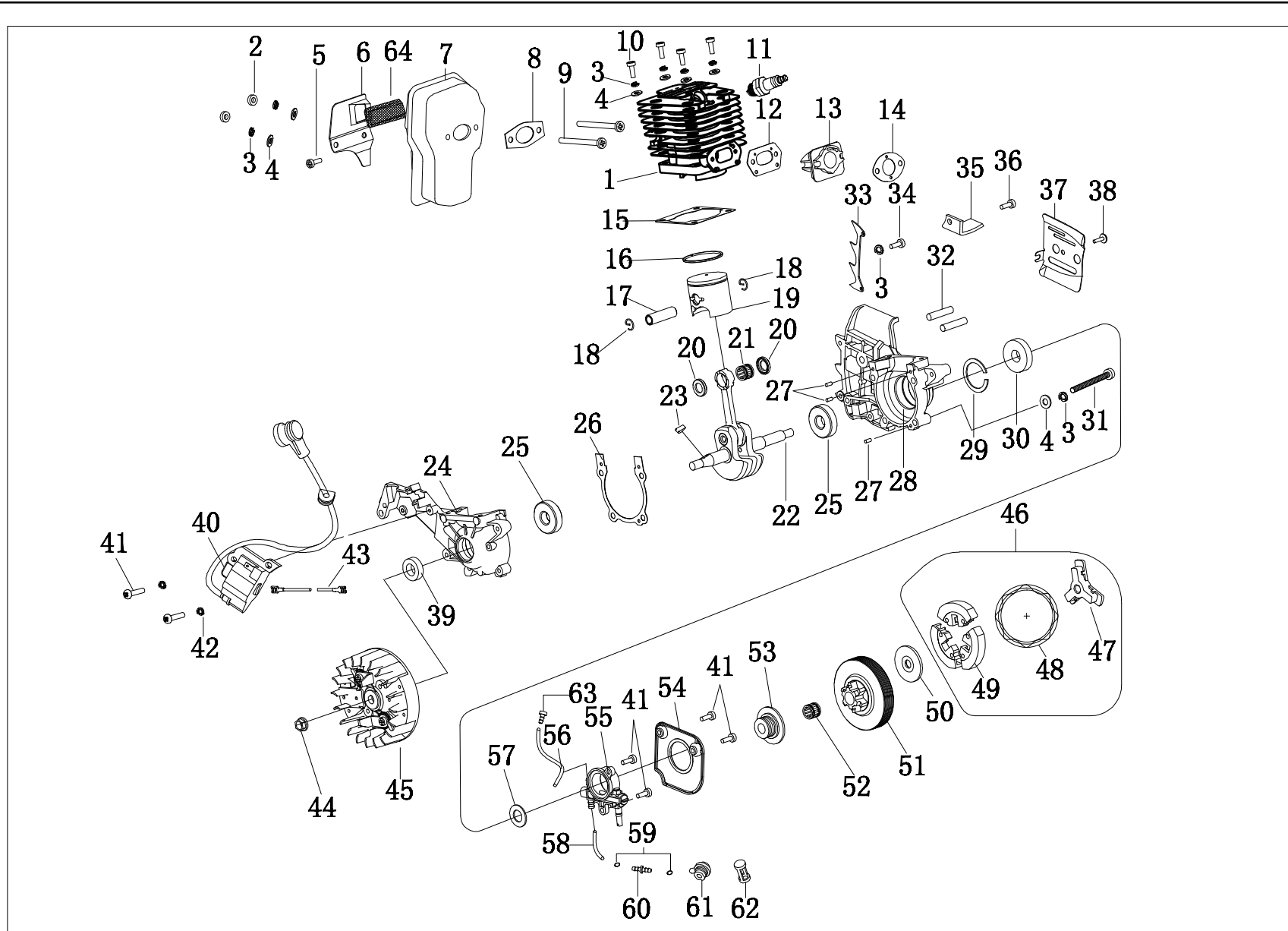
#	Part Number	Description	Qty.
1	A38.0812.0000	Chain Brake Assembly	1
2	A38.0312.0015	Screw M5 × 40	1
3	A38.0312.0012	Shield Gland	1
4	A38.0312.0011	Heavy Brock Gland	1
5	A38.0812.0001	Front Damper	1
6	A38.0312.0200	Heavy Block	1
7	A38.0312.0007	Heavy Block Spring	1
8	A38.0312.0008	Brake Torsion Rod Spring	1
9	A38.0312.0013-2	Washer Ø5.2 × Ø23 × 1.2	1
10	01.03.0113	Lock-Nut M5	1
11	A38.0312.0006-1	Spring Base	1
12	A38.0312.0005	Front Guard Spring	1
13	A38.0312.0014	Tensioner Cover Plate	1
14	GB/T119.2	Pin Ø3 × 14	1
15	A38.0312.0004-18	Main Lever	1
16	A38.0312.0003-18	Secondary Pull-Rod	1
17	01.05.0161	Pin Ø3 × 9	3
18	A38.0312.0010	Brake Control Rod	1
19	A45.0112.0009	Brake Spring	1
20	A38.0312.0009	Brake Strap	1
21	01.01.4121	Tapping Screw ST4.2 × 10	3
22	A38.0312.0001	Brake Spring Cover Plate	1
23	01.01.3131	Tapping Screw ST4.2 × 10	1
24	A38.0812.0100	Right Cover	1
25	A45.0112.0023	Tension Gear	1
26	A45.0112.0021	Tightener Screw	1
27	A45.0112.0022	Tension Block	1

#	Part Number	Description	Qty.
28	01.03.0073	Nut M8	2
29	A45.0113.0100	Air Filter Lock Nut	1
30	A45.0113.0005	Lock Nut Washer Ø15 × Ø26 × 1	1
31	A38.0513.0002	Air Filter Cover	1
32	A38.0304.0000	Air Filter	1
33	A38.0513.0000	Upper Cover Assembly	1
33a	A38.0513.0001	Upper Cover Plate , 109C Yellow	1
33b	A38.0513.0003	Upper Heat Isolation Plate	1
33c	A38.0513.0004	Side Heat Isolation Plate	1
34	A38.0313.0005	Anti-Freeze Block	1
35	A38.0313.0004	Shock Block	1
36	01.01.3031	Tapping Screw St4.8 × 16	8
37	A38.0300.0005	Dust Shield	1
38	A38.0300.0008	Choke Lever Retaining Bracket	1
39	A38.0500.0100	Choke Rod	1
40	A38.0500.0001	Bossing	1
41	A38.0510.0000	Starter Assembly	1
42	01.01.3031	Tapping Screw St 4.8 x 16	1
43	01.04.0161	Washer	1
44	A38.0310.0003	Start Stretching Wire 3 × 920	1
45	A38.0310.0001	Start Plate	1
46	A45.0110.0004	Start Coil-Spring	1
47	A62.0110.0002	Start Handle	1
48	A38.0510.0100	Start Cover	1
49	01.01.3201	Tapping Screw St4.8 × 19	1
50	A45.0100.0002	Dust Cover	1
51	A25.0100.0016	Bolt	2

#	Part Number	Description	Qty.
52	A38.0307.0400	Cushion Socket	1
53	01.01.3191	Screw M5 × 14	5
54	A38.0307.0300	Cushion Socket	1
55	A38.0300.0006	Dust Cover	1
56	A38.0300.0002	Front Handle Spring	1
57	A38.0300.0001C	Front Handle	1
58	A38.0300.0010-1	Torsion Rod Spring Cover Plate	1
59	01.01.3041	Tapping Screw St4.8 × 25	4
60	A45.0111.0200	Balancer Body Assembly	1
61	A38.0311.0006	Balancer Root	1
62	12.01.0013	Fuel Tube Assembly	1
63	03.01.2.189	Fuel Tube	1
64	A38.0311.0002-1	Turn Round Tube	1
65	A38.0311.0005	Fuel Tube Seat	1
66	A38.0311.0015	Heavy Block	1
67	A38.0311.0400	Petrol Filter Components	1
68	A38.0511.0100	Base	1
69	A38.0300.0003	Base Spring	1
70	A38.0611.0200	Petrol Cover Assembly	1
71	A38.0311.0302	Anti-Drop Plate	1
72	03.01.2.100	O Ring Ø24.7 × 3.55	1
73	A38.0611.0201-28	Petrol Cover	1
74	03.01.2.110	O Ring Ø19 × 3.5	1
75	A38.0611.0301-22	Oil Cover	1
76	A38.0611.0300	Oil Cover Assembly	1
77	A38.0306.0400	Ground Conductor	1
78	02.05.92	Extinction Switch	1
79	01.01.3051	Tapping Screw St4.8 × 25	1
80	01.05.0081	Pin Ø5 × 25	1
81	A38.0511.0001-19	Trigger Control Rack	1

#	Part Number	Description	Qty.
82	A45.0111.0005	Trigger Torsion Rod Spring	1
83	A38.0311.0009-47	Trigger	1
84	A38.0500.0002	Throttle	1
85	A38.0511.0002	Handle Cover	1
86	A38.0311.0012	Circlip For Nozzle	1
87	A38.0311.0008	Vent Tube Ø3.5 × 6.5 × 65	1
88	01.01.3121	Tapping Screw St4 × 14	1
89	03.01.2.153	Pump Tube 2.5 × 5 × 175	1
90	A38.0311.0100	Purge Pump	1
91	06.08.02.840A	Carburetor	1
92	A38.0301.0500	Air Intake Support	1
93	A38.0301.0600	Carburetor Screw	2
94	A38.0507.0100	Case	1
94a	A38.0307.0002	Engine Base Side Aluminum-foil Paper	1
94b	A38.0307.0001	Engine Base Heat Isolation Plate	1
95	A38.0519.0000	Accessories	1
96	07.04.1.10.401	18" Bar Cover	1
97	30013895	18" Chain	1
98	30013896	18" Guide Bar	1
99	A45.0119.0100	Plug Wrench	1
100	A38.0519.0100	Manual	1
101	12.01.0649	Engine Assembly	1

ENGINE PARTS DIAGRAM



ENGINE PARTS LIST

#	Part Number	Description	Qty.
1	A41.0101.0001-7	Cylinder Body	1
2	01.03.0113	Nut M5	2
3	01.04.0091	Lock Washer Ø5	11
4	01.04.0121	Plate Washer Ø5	10
5	01.01.3191	Screw M5 × 14	1
6	A38.0305.0001	Silencer Cover Plate	1
7	A38.0305.0200-1	Silencer Body	1
8	A38.0301.0008	Silencer Sealing Gasket	1
9	A38.0301.0013	Muffler Connecting Screw	2
10	01.01.6201	Screw M5 × 20	4
11	A45.0106.0500-2	Spark Plug	1
12	A38.0301.0009	Inlet Pipe Sealing Gasket	1
13	A38.0301.0005	Admitting Pipe	1
14	A38.0301.0010	Carburetor Sealing Gasket	1
15	A38.0301.0007	Cylinder Sealing Gasket	1
16	A41.0103.0001A	Piston Ring	1
17	A38.0303.0002	Piston Pin	1
18	A38.0303.0003	Piston Pin Circlip	2
19	A41.0103.0100	Piston	1
20	A38.0303.0004	Needle Bearing Ring	2
21	A38.0303.0200	Needle Bearing Ø10 × Ø14 × 11	1
22	A38.0303.0100	Crank Shaft Components	1
23	A45.0101.0036	Semicircular Key 3 × 3.5 × 10	1
24	A38.0302.0001	Left Crank Case	1
25	01.05.1270	Bearing 6201 Grade D 12 × 32 × 10	2
26	A38.0302.0003	Case Body Sealing Gasket	1
27	01.05.0161	Pin Ø3 × 9	3
28	A38.0302.0002	Right Crank Case	1

#	Part Number	Description	Qty.
29	01.04.1021	Shield Ring 32	1
30	A38.0302.0100	Oil Seal Ø12 × Ø32 × 5.5	1
31	01.01.6205	Screw M5 × 30	4
32	01.02.1061	Double-Screw Bolt Aym8-M8 × 26-8.8	2
33	A45.0101.0024	Spiked Bumper	1
34	01.01.6102	Screw M5 × 12	1
35	A38.0301.0016-1	Chain Catcher	1
36	A38.0301.0017	Chain Catcher Screw	1
37	A38.0301.0006	Damper	1
38	01.01.3061	Screw M4 × 10	1
39	A38.0302.0200	Oil Seal Ø12 × Ø22 × 7	1
40	A38.0306.1400-1	Igniter	1
41	01.01.3051	Screw M4 × 14	6
42	01.04.0191	Washer Ø4	2
43	A38.0306.0300	Extinction Conductor	1
44	01.03.0073	Nut M8 × 1	1
45	A38.0306.1300	Magneto Rotor	1
46	A38.0301.0300	Clutch Assembly	1
47	A38.0301.0301	Retainer	1
48	A38.0301.0303	Clutch Extension Spring	1
49	A38.0301.0302	Shoe Block	3
50	A38.0301.0002	Clutch Adjusting Washer	1
51	A38.0301.0001	Clutch Shell	1
52	A38.0301.0400	Needle Bearing Ø10 × Ø13 × 13	1
53	A38.0301.0014	Worm	1
54	A38.0300.0009	Cover Plate	1
55	A38.0314.0100	Oil Pump	1

#	Part Number	Description	Qty.
56	A38.0314.0001	Oil Outgoing Tube Ø3 × 6.5 × 75	1
57	A38.0301.0015	Worm Washer Ø10 × Ø18 × 1	1
58	A38.0314.0004	Oil Ingoing Tube Ø3.3 × 6.5 × 68	1
59	A45.0102.0103	Oil Tube Clip	2
60	A38.0314.0005	Oil Tube Tie-In	1
61	A38.0314.0006	Nozzle	1
62	A38.0314.0007	Oil Filter Screen	1
63	A38.0314.0002	Oil Spray Nozzle	1
64	A38.0305.0002	Spark Arrester	1