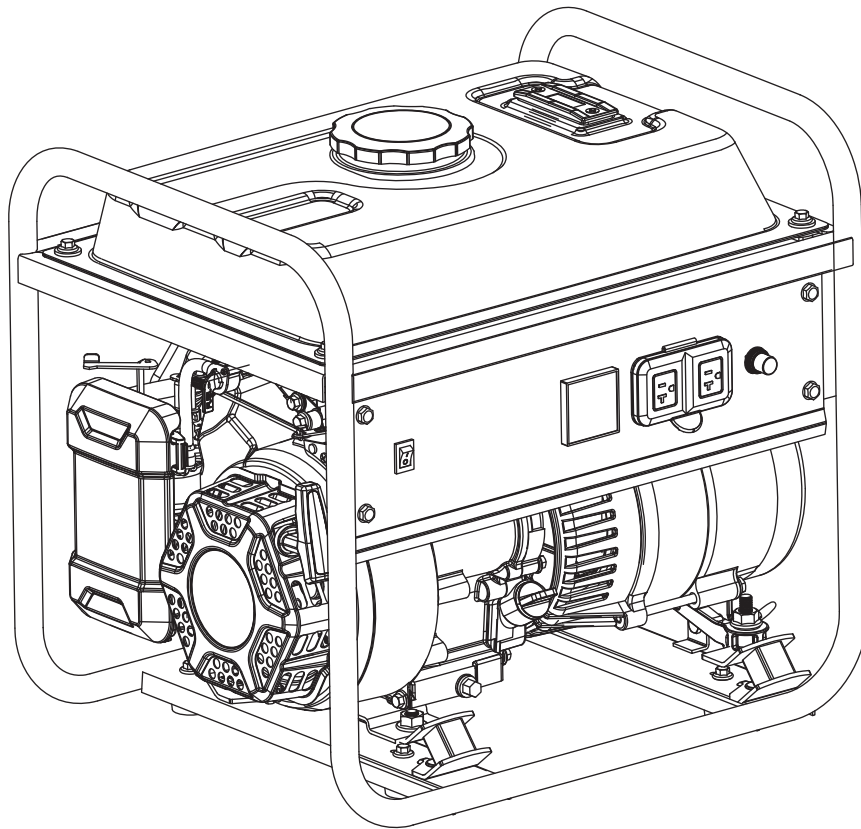


Champion Power Equipment, Inc., Santa Fe Springs, CA USA

MODEL #200915



PARTS INFORMATION

1200W PORTABLE GENERATOR

SERIAL NUMBER RANGE: ALL

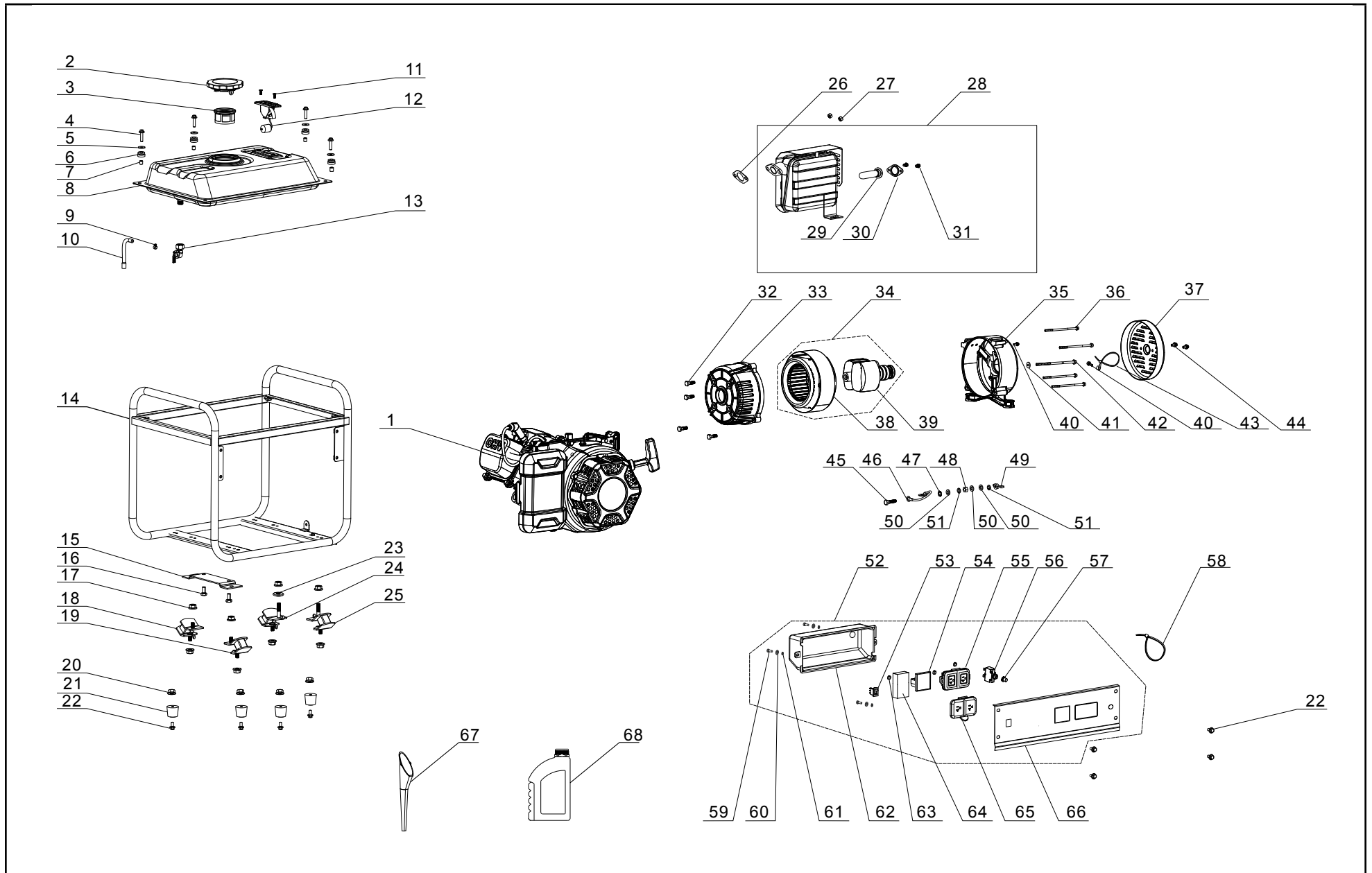


To order replacement parts please visit:
shop.championpowerequipment.com
or call **1-877-338-0999**.

TABLE OF CONTENTS

Generator Parts Diagram	3
Generator Parts List	4
Engine Parts Diagram	6
Engine Parts List	7
Wiring Diagram	9

GENERATOR PARTS DIAGRAM



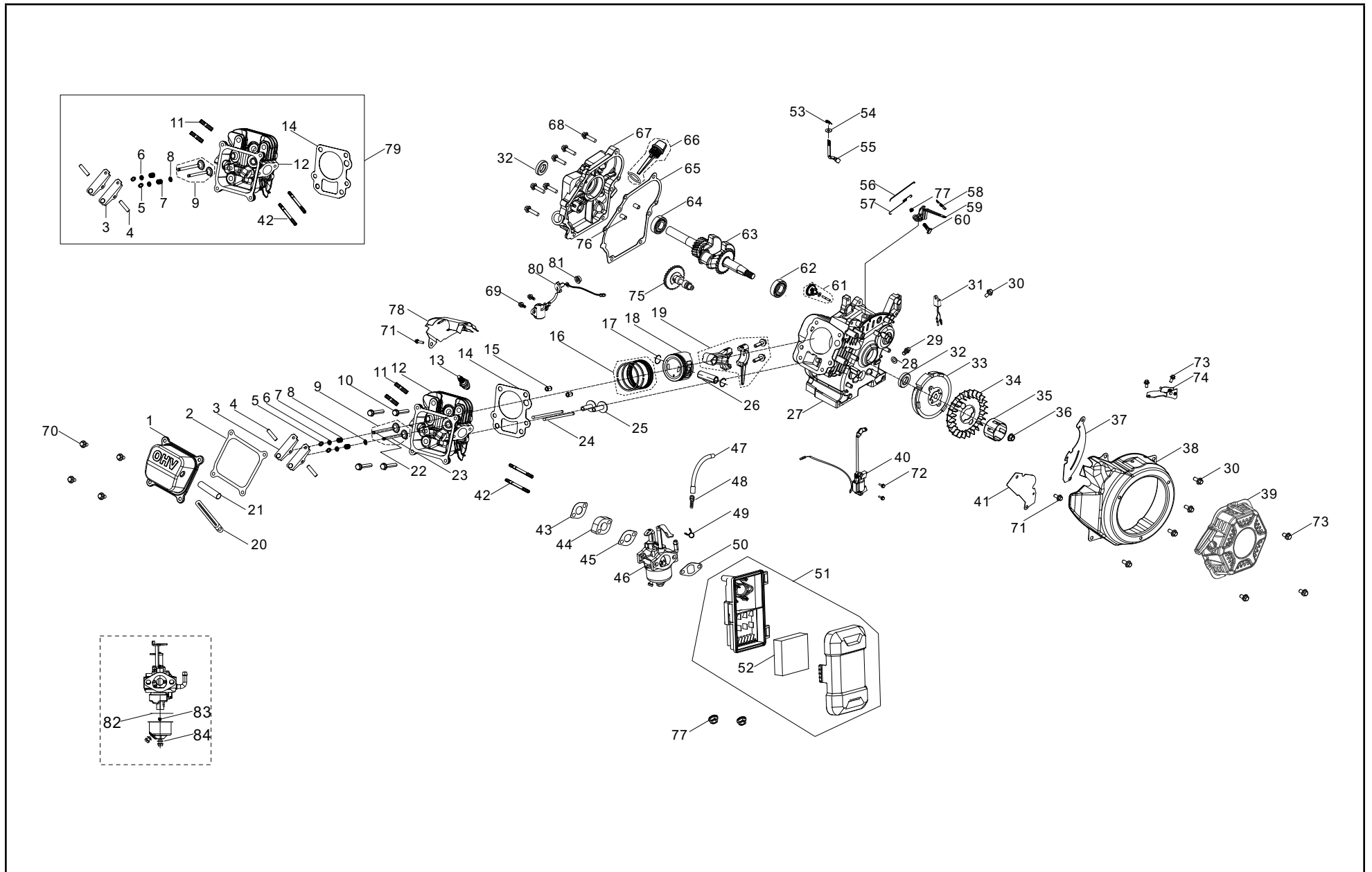
GENERATOR PARTS LIST

#	Part Number	Description	Qty.
1	R80MV0000FB-CMP307	Engine, 79cc	1
2	16730-Y020210-00A0	Fuel Tank Cap	1
3	16652-YGJ0110-00A0	Fuel Filter	1
4	90001-0620-0305	Flange Bolt, M6 x 20, Black Zinc	4
5	90408-Y840110-0001	Flat Washer, Black Zinc	4
6	16601-Y2D0110-0001	Support Sleeve, Fuel Tank	4
7	90683-Y9H0110-0900	Bushing	4
8	16620-YGJ0110-L4A0	Fuel Tank, 5.5L, Yellow	1
9	90685-Z030610-0300	Clamp, Ø8	1
10	30431-Y020110-0001	Rubber Sleeve	1
11	90104-0512-5301	Screw, M5 x12	2
12	37200-Y450110-H3A1	Fuel Gauge	1
13	16750-Y900111-0001	Fuel Valve Assembly	1
14	51100-YGJ0210-H2A0	Frame Assembly, Ø19 x 1.2, 440 x 340 x 400	1
15	51002-Y450110-H2A0	Fixed Plate, Engine	1
16	90001-0816-0305	Flange Bolt, M8 x 16, Black Zinc	2
17	90305-0800-3305	Flange Nut, M8, Black Zinc	8
18	51005HY450110-0000	Vibration Mount 1, Frame	1
19	51011HY450110-0000	Vibration Mount 2, Frame	1
20	90305-0600-0302	Flange Nut, M6, Black Zinc	4
21	51014HY020120-00A0	Vibration Mount, Support Leg	4
22	90001-0612-0305	Flange Bolt, M6 x 12, Black Zinc	8
23	90406-0800-0301	Washer, Black Zinc	1
24	51011HY020120-0000	Vibration Mount 3, Frame	1
25	51005HY020120-0000	Vibration Mount 4, Frame	1
26	18001-Z510110-00A0	Gasket, Exhaust Outlet	1
27	90303-0800-3305	Flange Nut, M8, Black Zinc	2
28	18100-YGJ0110-00A0	Muffler Assembly	1
29	18250-YGK0110-0000	Spark Arrestor, Inner	1
30	18255-YGJ0110-0000	Cover Plate, Spark Arrestor	1

#	Part Number	Description	Qty.
31	90134-YGK0110-00A0	Cross Hexagon Head Bolt, M5 x 10	2
32	90001-0820-0301	Flange Bolt, M8 x 20, Black Zinc	4
33	30031-Y490110-0BA0	Adapter, Alternator Front End	1
34	31300-YGJ0210-0000	Alternator Assembly, AL, D160 x 54	1
35	30021-Y450110-0BA0	End Housing	1
36	30048-Y450110-0900	Bolt M6 x 100, Stator	4
37	30022-YGK0110-L400	Cover, End Housing, Yellow	1
38	31310-YGJ0210-0000	Stator, AL, D160 x 54	1
39	31330-YGJ0210-0000	Rotor, AL, D160 x 54	1
40	90001-0516-0105	Flange Bolt, M5 x 16, Blue White Zinc	2
41	90408-Y020210-0001	Flat Washer	1
42	30049-Y450110-0001	Bolt M8 x 180, Rotor	1
43	90727-Y020110-0000	Cable Tie	1
44	90001-0512-0301	Flange Bolt, M5 x 12, Black Zinc	2
45	90001-0625-0305	Flange Bolt, M6 x 25, Black Zinc	1
46	30009-Y910110-0000	Grounding Wire	1
47	90415-0600-Z301	Lock Washer, Toothed, Black Zinc	1
48	90303-0600-3305	Flange Nut, M6, Black Zinc	1
49	90312-0600-0301	Wing Nut, M6, Black Zinc	1
50	90408-0600-E305	Flat Washer, Black Zinc	3
51	90403-0600-0305	Spring Washer, Black Zinc	2
52	35610-YGJ0210-H200	Control Panel Assembly	1
53	35160-Y5V0210-0000	Switch, Engine	1
54	35632-YGK0110-0000	Intelligauge, VFT-2	1
55	35614-Y730110-0000	5-20R Receptacle, 20A, 125V	1
56	31234-YGJ0110-0000	Circuit Breaker, Push Button, 10A	1
57	35654-YGK0110-0000	Cover, Circuit Breaker	1
58	90727-Y130110-00A0	Cable Tie	1
59	90103-0512-51	Screw, M5 x12	3
60	90408-0500-E1A0	Flat Washer	3

#	Part Number	Description	Qty.
61	90403-0500-01A0	Spring Washer	3
62	35601-YGJ0110-0000	Rear Case, Control Panel	1
63	90305-0400-71	Flange Nut, M14, Blue White Zinc	3
64	35639-YGJ0110-0000	Control Module	1
65	35654-YGJ0110-0000	Receptacle Cover, 5-20R, Duplex	1
66	35650-YGJ0110-H200	Control Panel	1
67	93106-Z010110-0001	Oil Funnel	1
68	15300-YGJ0110-00A0	Bottle of Engine Oil	1

ENGINE PARTS DIAGRAM



ENGINE PARTS LIST

#	Part Number	Description	Qty.
1	12410-Z0M0110-0001	Cylinder Head Cover	1
2	12004-Z0M0210-00A0	Cylinder Head Cover Gasket	1
3	14310-Z0M0110-0000	Rocker Subassembly, Valve	2
4	14318-Z950110-0000	Rocker Shaft	2
5	12109-Z810110-0000	Clamp, Valve Lock	4
6	12112-Z810210-0000	Valve Spring Retainer	2
7	12103-Z510110-0000	Valve Spring	2
8	12101-Z810210-0000	Seal Guide	1
9	12110-Z0M0110-00A0	Valve Set	1
10	12003-Z510110-0300	Cylinder Head Bolt, M8 x 55, Black Zinc	4
11	90203-Z010110-0000	Stud, M8 x 34, Black Zinc	2
12	12140-Z0M0110-0BA0	Cylinder Head	1
13	30010-Z350210-00A0	Spark Plug, A5RTC	1
14	12131-Z210110-0000	Cylinder Head Gasket	1
15	90502-0814-00A0	Pin, 8 x 14	2
16	13200-Z450210-0000	Piston Ring Assembly	1
17	13122-Z450110-0000	Piston Pin Clip	2
18	13111-Z0M0110-00A0	Piston	1
19	13010-Z210110-00A0	Connecting Rod	1
20	90684-Z030120-0001	Clip, Ø6 x Ø10.6 x 100	1
21	17004-Z0M0410-0001	Tube, Breather, Ø8 x Ø12 x 68	1
22	12121-Z0M0110-0000	Exhaust Valve	1
23	12111-Z0M0110-0000	Intake Valve	1
24	14071-Z0M0110-0000	Valve Lifter	2
25	14081-Z010110-0000	Valve Tappet	2
26	13121-Z450110-0000	Piston Pin	1
27	11310-Z210711-0BA0	Crankcase	1
28	90408-Z010110-00A0	Washer, Ø10 x Ø15.8 x 1.5	1
29	11007-Z010310-0000	Drain Plug Bolt, M10 x1.25 x15, Black Zinc	1
30	90001-0612-03	Hexagon Flange Bolt, M6 x 12, Black Zinc	5

#	Part Number	Description	Qty.
31	37050-Z010210-0001	Diode, Oil Sensor	1
32	90682-Z510110-0000	Oil Seal, Ø17 x Ø30 x 6	2
33	13510-Z510110-0000	Flywheel	1
34	19352-Z510110-00A1	Fan, Engine	1
35	28002-Z0M0110-0000	Starter Pulley	1
36	13501-Z510110-00A0	Flywheel Nut, M12 x 1.25, White Zinc	1
37	19306-Z510110-0001	Air Deflector, Crankcase	1
38	28110-Z0M0210-L400	Fan Cover, Yellow	1
39	28200-Z0M0110-H200	Recoil Starter Assembly	1
40	30400-Z0M0211-0002	Ignition Coil	1
41	30028-Z510110-0001	Shroud Shield	1
42	90204-Z010210-0000	Stud, M6 x 96, Black Zinc	2
43	17002-Z510110-0000	Gasket, Innet	1
44	16003-Z510210-0000	Carburetor Insulator Plate	1
45	16001-Z510110-0000	Gasket, Carburetor	1
46	16100-Z0M0411-00M0	Carburetor	1
47	90686-Z511510-00M0	Tube, Fuel, Ø4.5 x Ø8.5 x 140	1
48	16652-Z800110-00A0	Fuel Strainer	1
49	90685-D095-0EA0	Clamp, Ø9.5 x 8 x 0.8	1
50	17001-Z510110-0000	Gasket, Air Cleaner	1
51	17100-Z0M0110-0000	Air Cleaner Assembly	1
52	17151-Z0M0110-0000	Element, Air Cleaner	1
53	90501-Z010110-0000	Pin, Blue White Zinc	1
54	90408-Z010210-00A0	Washer, Ø6.2 x Ø15 x 0.6	1
55	16061-Z510210-0000	Governor Arm	1
56	16062-Z0M0110-00A1	Throttle Rod, Blue White Zinc	1
57	16012-Z510110-0000	Spring, Throttle Return	1
58	16063-Z210110-0100	Spring, Governor	1
59	16070-Z510210-0001	Governor Lever Bracket, White Zinc	1
60	16072-Z010310-0000	Governor Support Bolt, M6 x 21, Black Zinc	1

#	Part Number	Description	Qty.
61	16400-Z210110-0000	Governor Gear Assembly	1
62	90547-0203-00	Bearing	1
63	13300-Z210110-0000	Crankshaft	1
64	90547-6303-00A1	Bearing	1
65	11001-Z510130-0000	Gasket, Crankcase	1
66	15010-Z510140-L401	Oil Dipstick	1
67	11411-Z510111-0BA0	Crankcase Cover	1
68	90001-0625-03	Hexagon Flange Bolt, M6 x 25, Black Zinc	6
69	90001-0614-0101	Hexagon Flange Bolt, M6 x 14, White Zinc	2
70	90001-0612-0101	Hexagon Flange Bolt, M6 x 12, White Zinc	4
71	90001-0610-03	Hexagon Flange Bolt, M6 x 10, Black Zinc	2
72	90001-0620-0101	Hexagon Flange Bolt, M6 x 20, White Zinc	2
73	90001-0608-03	Hexagon Flange Bolt, M6 x 8, Black Zinc	5
74	16520-Z510220-0100	Throttle Control Bracket, White Zinc	1
75	14200-Z0M0110-00A0	Camshaft	1
76	90502-0812-00A0	Pin, 8 x 12	2
77	90305-0600-33	Hexagon Flange Nut, M6, Black Zinc	3
78	19304-Z510310-0001	Air Deflector, Cylinder Body	1
79	80V-001	Cylinder Head Assembly	1
80	37060-Z510140-0001	Engine oil Sensor, W/O Nut	1
81	90305-Z010210-0300	Hexagon Flange Nut, M10, Black Zinc	1
82	16112-Z510110-0000	Seal Ring, Float	1
83	16161-Z150410-00A1	Main Jet, Standard	1
	16161-Z150210-00A3	Main Jet, Altitude 3000-6000 Feet	1
	16161-Z155610-00A1	Main Jet, Altitude 6000-8000 Feet	1
84	90681-Z510210-00A0	Seal Ring	1

WIRING DIAGRAM

