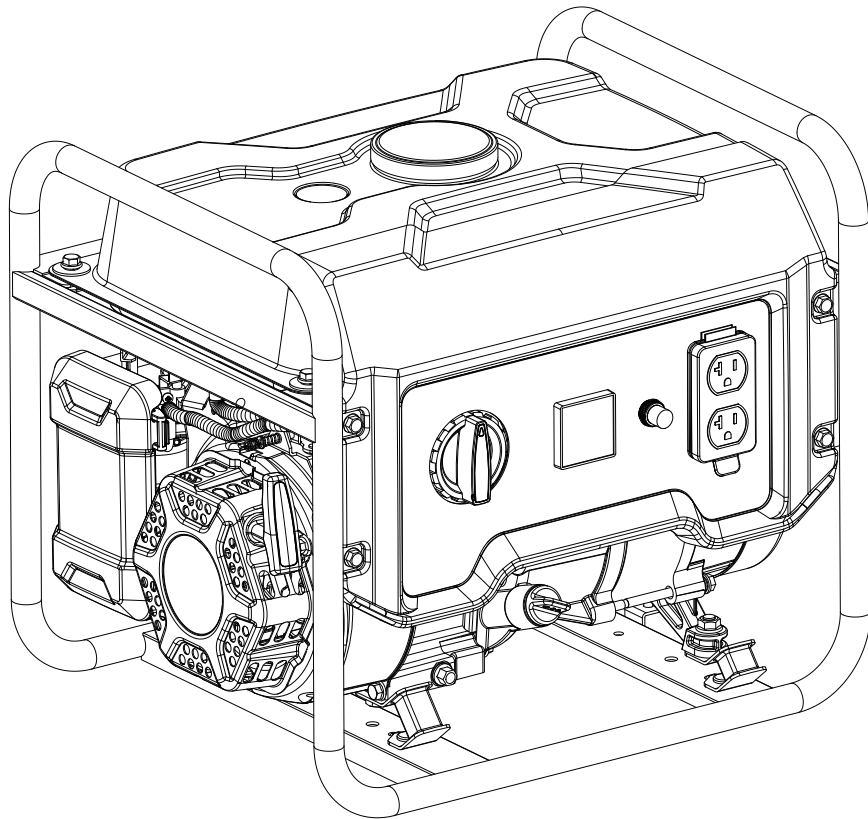




Champion Power Equipment, Inc.

MODEL #201069



PARTS INFORMATION

1200W PORTABLE GENERATOR

SERIAL NUMBER RANGE: ALL



To order replacement parts please visit:
shop.championpowerequipment.com
or call **1-877-338-0999**.

TABLE OF CONTENTS

Generator Parts Diagram	3
Generator Parts List	4
Engine Parts Diagram	5
Engine Parts Part List	6
Cylinder Head Part Diagram	8
Cylinder Head Part List	9
Alternator Part Diagram	10
Alternator Part List	11
Fuel Tank Part Diagram	12
Fuel Tank Part List	13
Control Panel Part Diagram	14
Control Panel Part List	15
Frame Part Diagram	16
Frame Assembly Part List	17
Wiring Diagram	18

GENERATOR PARTS DIAGRAM

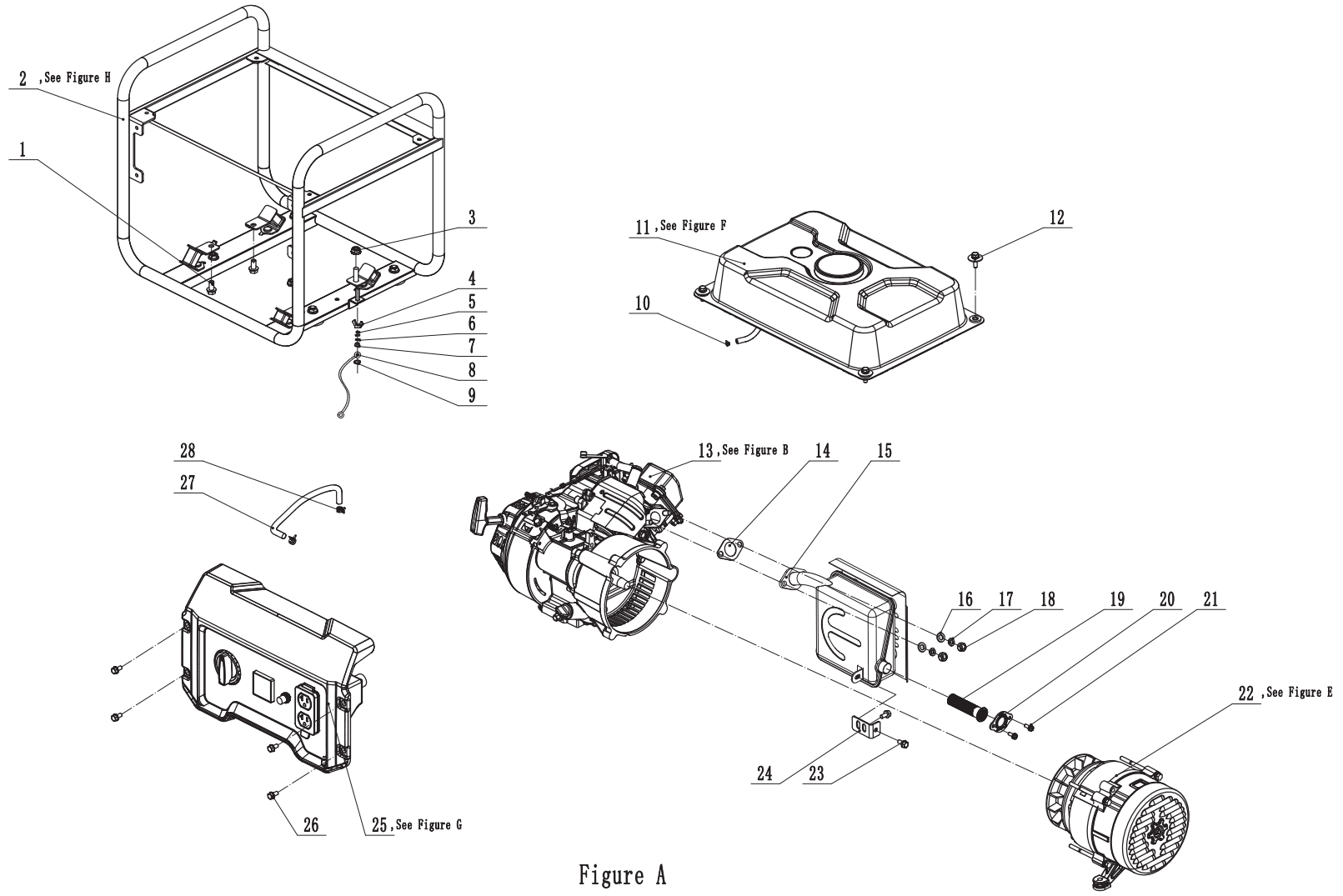


Figure A

GENERATOR PARTS LIST

#	Part Number	Description	Qty.
1	1.16674.0812	Flange Bolt M8 x 12	2
2	61182.201069	Frame, Wheel Kit, See Figure H	1
3	1.6177.1.08	Lock Nut M8, Flange	2
4	1.62.06	Butterfly Type Nut M6	1
5	1.93.06	Lock Washer Ø6	1
6	1.97.1.06	Washer Ø6	2
7	1.6177.1.06	Lock Nut M6, Flange	1
8	5.1900.105	Grounding Line, 200mm	1
9	1.862.06	Lock Washer Ø6, Toothed	1
10	2.06.016	Clamp Ø8.7 x b8	1
11	113.070000.15.48	Fuel Tank, Yellow, See Figure F	1
12	2.08.143.1	Flange Bolt/Washer Assembly M6 x 20, Black	4
13	12.402	Engine, See Figure B	1
14	12.100001.02	Gasket, Exhaust	1
15	12.101000.02	Muffler Assembly	1
16	1.848.08	Washer Ø8	2
17	1.93.08	Lock Washer Ø8	2
18	1.6175.08	Nut M8	2
19	46.101300.08	Spark Arrester Assembly	1
20	46.101503.08	Plate, Spark Arrester	1
21	1.9074.4.0514	Screw/Washer Assembly M5 x 14	2
22	113.190000.13	Alternator Assembly, AI, Ø160 x 58 mm, See Figure E	1
23	1.5789.0612	Flange Bolt M6 x 12	2
24	12.100100.01	Bracket, Muffler	1
25	201069.21	Control Panel Assembly, See Figure G	1
26	1.5789.0615.1	Flange Bolt M6 x 15, Black	4
27	113.070011.06	Fuel Tube, 200 mm + 70 mm	1
28	2.06.007	Clamp Ø8.2 x b8	3

ENGINE PARTS DIAGRAM

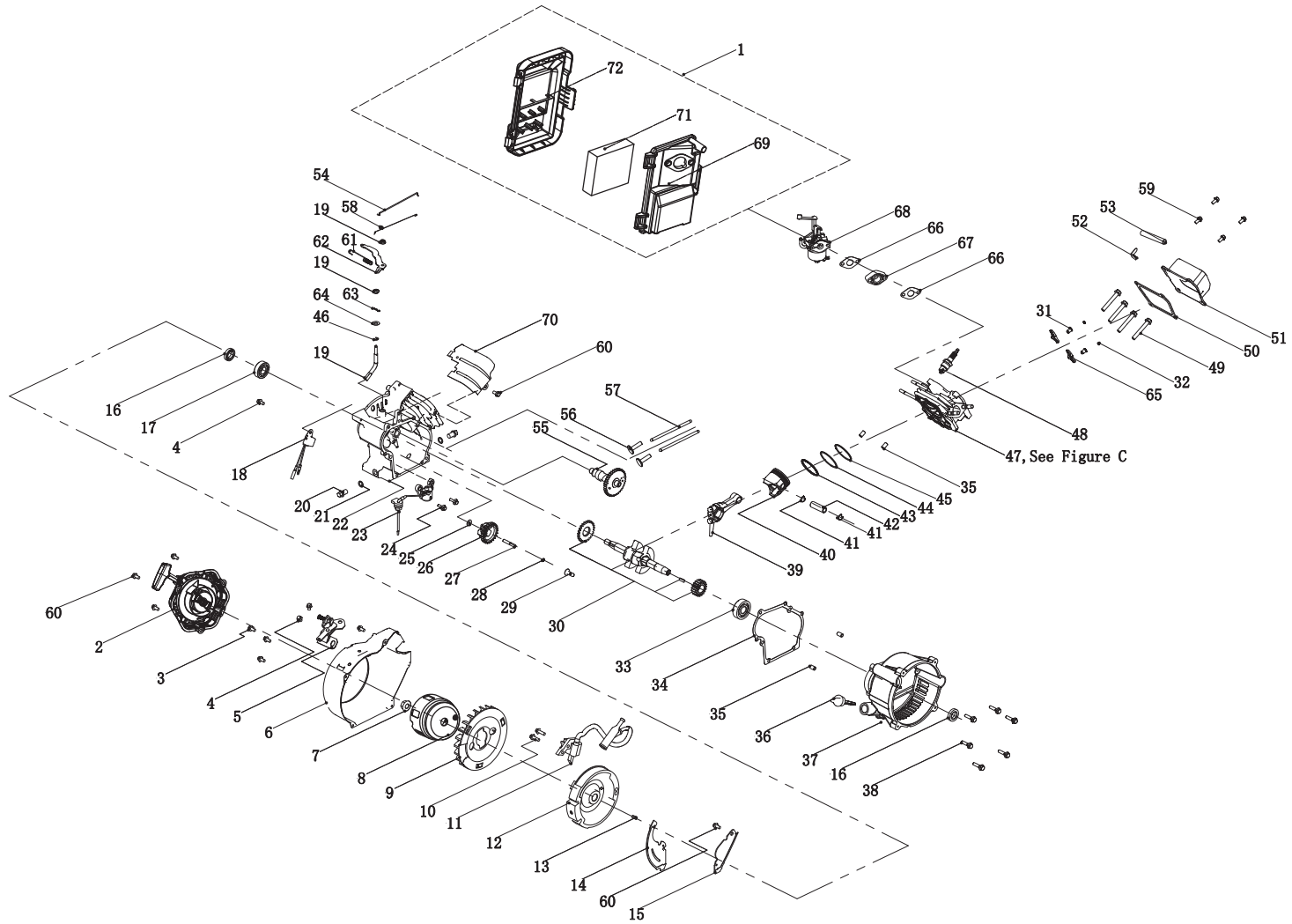


Figure B

ENGINE PARTS PART LIST

#	Part Number	Description	Qty.
1	12.091000.02	Air Cleaner Assembly	1
2	12.061000.04.2.48	Recoil Assembly	1
3	1.16674.0612	Flange Bolt M6 x 12	4
4	1.5789.0608	Flange Bolt M6 x 8	3
5	12.111000.01	Speed Control Assembly	1
6	12.080100.00.48	Fan Cover, Yellow	1
7	1.6177.2.12	Flange Nut M12	1
8	12.060001.02	Pulley Starter	1
9	12.080001.00	Cooling Fan	1
10	1.16674.0620	Flange Bolt M6 x 20	2
11	12.123000.01	Ignition Coil	1
12	15.120100.00	Flywheel	1
13	2.14.016	Woodruff Key, 5 x 6.5 x 16	1
14	12.080014.00	Air Guide Plate, Back	1
15	12.080014.01	Air Guide Plate, Front	1
16	2.11.009	Oil Seal Ø17 x Ø30 x 6	2
17	1.276.6203	Bearing 6203	1
18	21.120400.00	Diode Assembly	1
19	12.110001.80	Shaft, Governor Arm	1
20	2.08.037	Drain Bolt M10 x 1.25 x 25	2
21	2.03.016	Washer Ø10 x Ø16 x 1.5, Drain Bolt	2
22	12.030100.02	Crankcase	1
23	12.127000.03	Oil Level Sensor	1
24	1.16674.0616	Flange Bolt M6 x 16	2
25	2.03.020.1	Washer Ø6.2 x Ø15 x 0.5, Black	1
26	12.110100.00	Gear, Governor	1
27	12.110013.00	Shaft, Governor Gear	1
28	21.110011.00	Clip, Governor Gear	1
29	12.110012.00	Bushing, Governor Gear	1
30	12.050100.04	Crankshaft	1

#	Part Number	Description	Qty.
31	21.040020.00	Screw, Valve Adjustment	2
32	21.040021.00	Nut M6 x 0.5, Lock	2
33	1.276.6303	Bearing 6303	1
34	12.030008.01	Gasket, Crankcase Cover	1
35	2.04.002	Dowel Pin Ø8 x 14	4
36	15.031000.00.48	Oil Dipstick Assembly, Yellow	1
37	15.030007.00	Cover, Crankcase	1
38	1.5789.0625	Flange Bolt M6 x 25	6
39	12.050200.00	Connecting Rod	1
40	12.050005.02	Piston	1
41	2.09.005	Circlip Ø16 x Ø1	2
42	12.050003.01	Pin, Piston	1
43	11.050303.00	Ring, Oil	1
44	11.050302.00	Ring, Second Piston	1
45	11.050301.00	Ring, First Piston	1
46	1.896.06	Circlip Ø6	1
47	15.010000.00	Cylinder Head Assembly, See Figure C	1
48	2.15.005 (E6RTC)	Spark Plug E6RTC	1
49	1.5789.0855	Flange Bolt M8 x 55	4
50	21.020002.00	Gasket, Cylinder Head Cover	1
51	15.021000.00	Cover, Cylinder Head	1
52	15.020007.00	Baffle, Wire	1
53	15.020001.00	Breather Tube	1
54	12.110006.00	Rod, Governor	1
55	12.041000.02	Camshaft	1
56	15.040013.00	Lifter, Valve	2
57	15.040005.00	Push Rod	2
58	12.110005.00	Spring, Throttle Return	1
59	1.5789.0615	Flange Bolt M6 x 15	4
60	1.5789.0612	Flange Bolt M6 x 12	5

#	Part Number	Description	Qty.
61	12.110007.21	Spring, Governor	1
62	12.110003.00	Arm, Governor	1
63	12.110008.00	Pin, Shaft	1
64	2.03.019	Washer Ø8.2 x Ø17 x 0.8	1
65	15.040009.00	Rocker Arm	2
66	12.130002.01	Gasket, Insulator	2
67	12.130001.00	Insulator, Carburetor	1
68	12.131000.01	Carburetor	1
	12.131000.02		
69	12.091100.02	Base, Air Cleaner	1
70	15.080300.00	Air Guide, Upper	1
71	12.091003.02	Element, Air Cleaner	1
72	12.091200.02	Cover, Air Cleaner	1

CYLINDER HEAD PART DIAGRAM

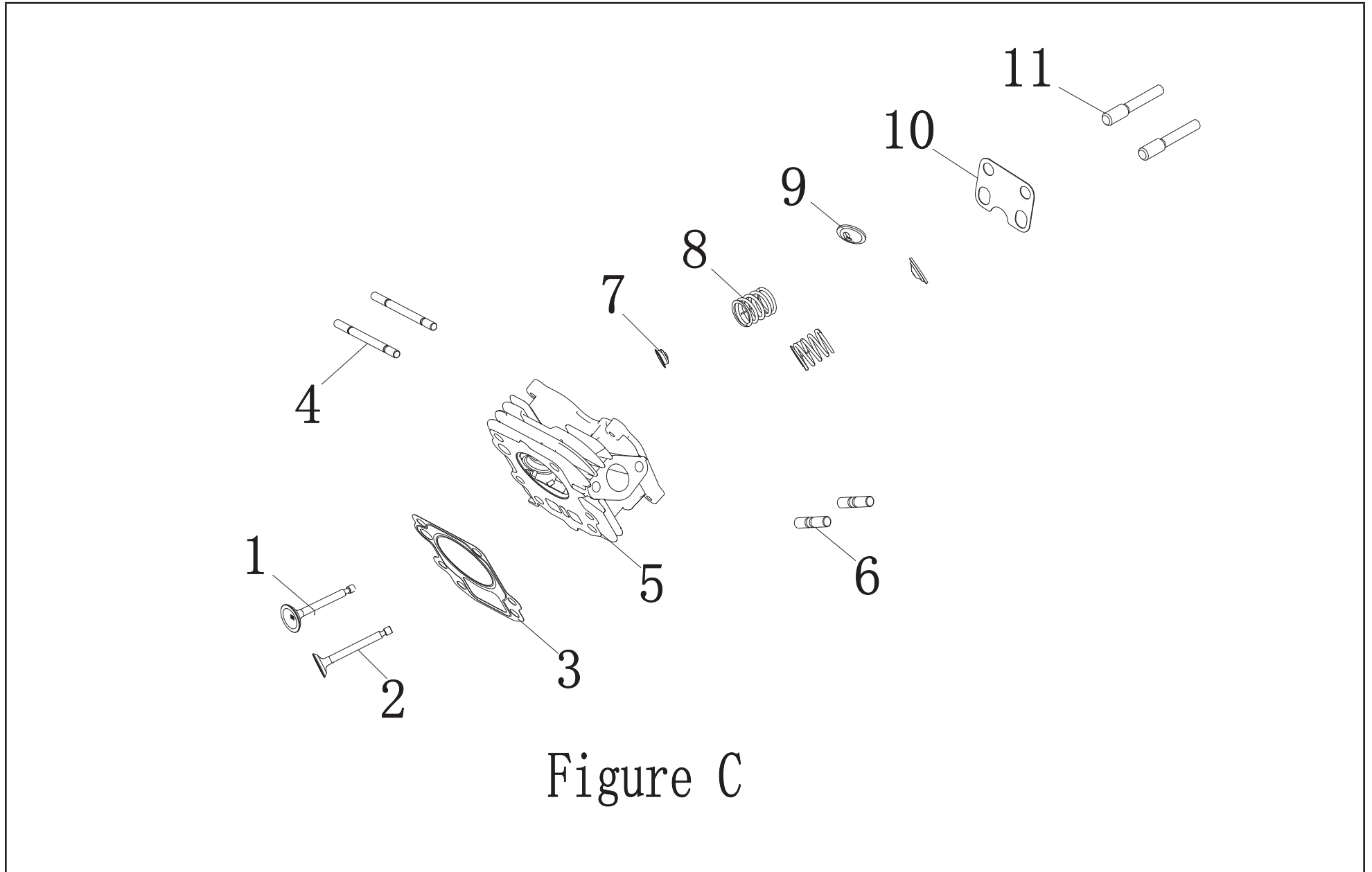


Figure C

CYLINDER HEAD PART LIST

#	Part Number	Description	Qty.
1	12.040002.80	Valve, Intake	1
2	12.040006.80	Valve, Exhaust	1
3	12.030009.00	Gasket, Cylinder Head	1
4	2.01.019	Stud Bolt M6 x 89	2
5	15.010100.00	Cylinder Head	1
6	2.01.010	Stud Bolt M8 x 35	2
7	23.040017.00	Oil Seal, Valve	1
8	12.040003.00	Spring, Valve	2
9	12.040014.80	Valve Cotter	2
10	15.040004.00	Guide Plate, Push Rod	1
11	83.040010.01	Bolt, Rocker Arm	2

ALTERNATOR PART DIAGRAM

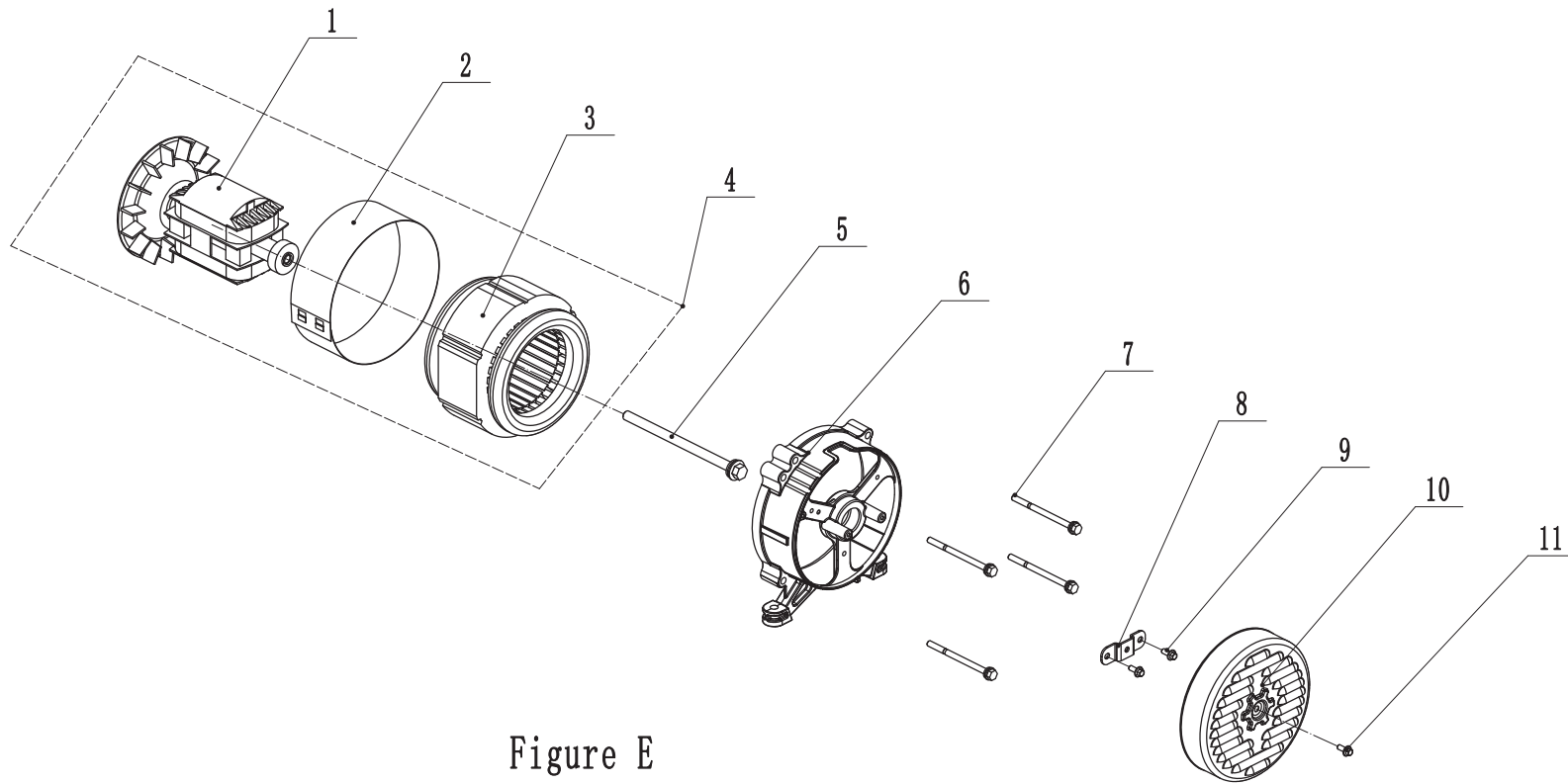


Figure E

ALTERNATOR PART LIST

#	Part Number	Description	Qty.
1	113.191100.13	Rotor Assembly, Al, Ø160 x 58 mm	1
2	113.191002.00	Stator Cover	1
3	113.191200.13	Stator Assembly, Al, Ø160 x 58 mm	1
4	113.191000.13	Alternator Assembly, Al, Ø160 x 58 mm	1
5	2.08.148	Flange Bolt/Washer Assembly M8 x 160	1
6	115.190002.00	End Housing	1
7	2.08.073	Flange Bolt/Washer Assembly M6 x 90	4
8	122.190018.03	Dead plate	1
9	1.16674.0512.2	Flange Bolt M5 x 12	2
10	122.190003.01.48	Cover, End Housing, Yellow	1
11	2.08.068.1	Flange Bolt M5 x 13, Black	1

FUEL TANK PART DIAGRAM

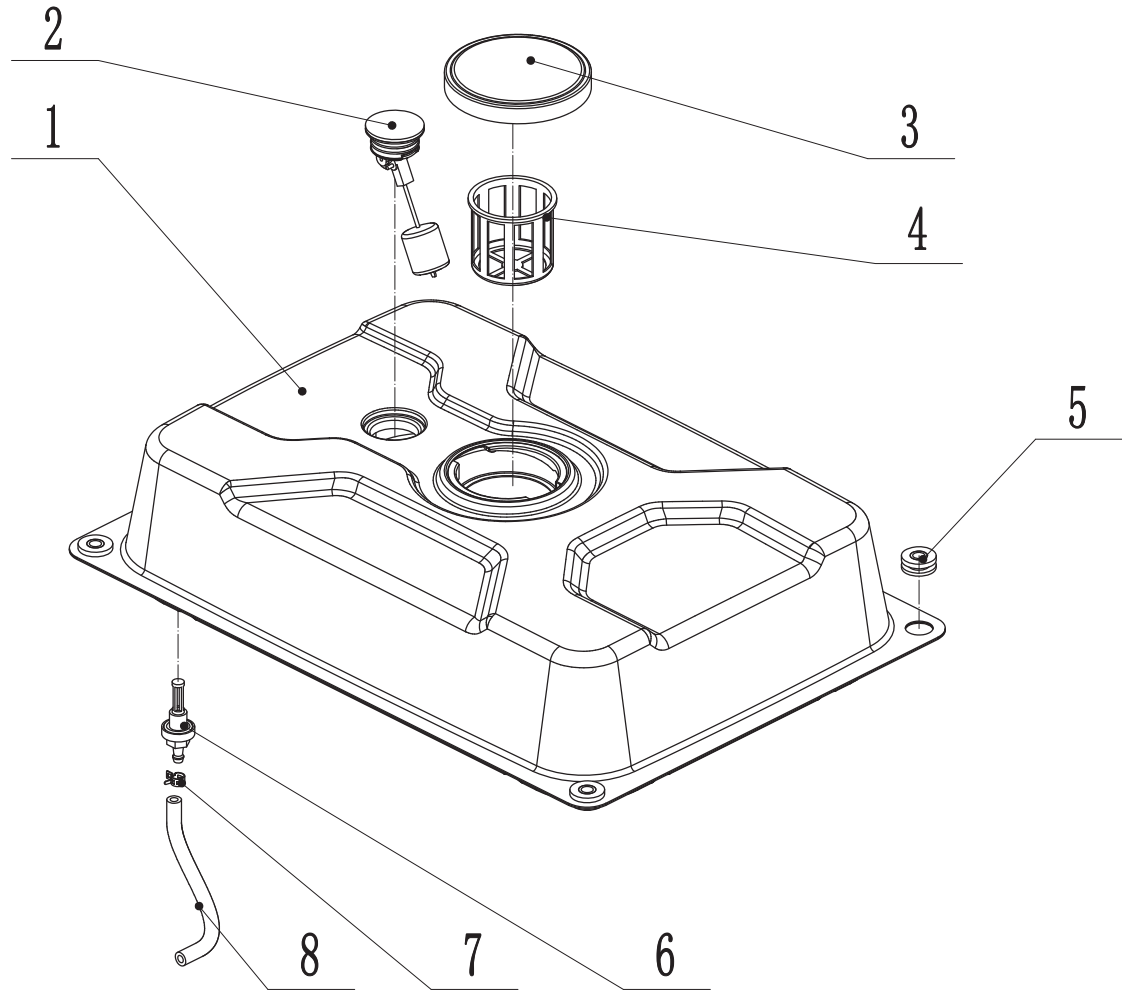


Figure F

FUEL TANK PART LIST

#	Part Number	Description	Qty.
1	113.071000.15.48	Fuel Tank, 7.2L, Yellow	1
2	113.072000.03	Fuel Gauge Assembly	1
3	122.070100.02	Fuel Tank Cap	1
4	122.070300.02	Fuel Filter	1
5	122.070015.01	Mount Vibration, Fuel Tank	4
6	21.070600.01	Fitting, Fuel Tank	1
7	2.06.007	Clamp Ø8.2 x b8	1
8	113.070011.07	Tube, Fuel Supply, 180 mm + 25 mm	1

CONTROL PANEL PART DIAGRAM

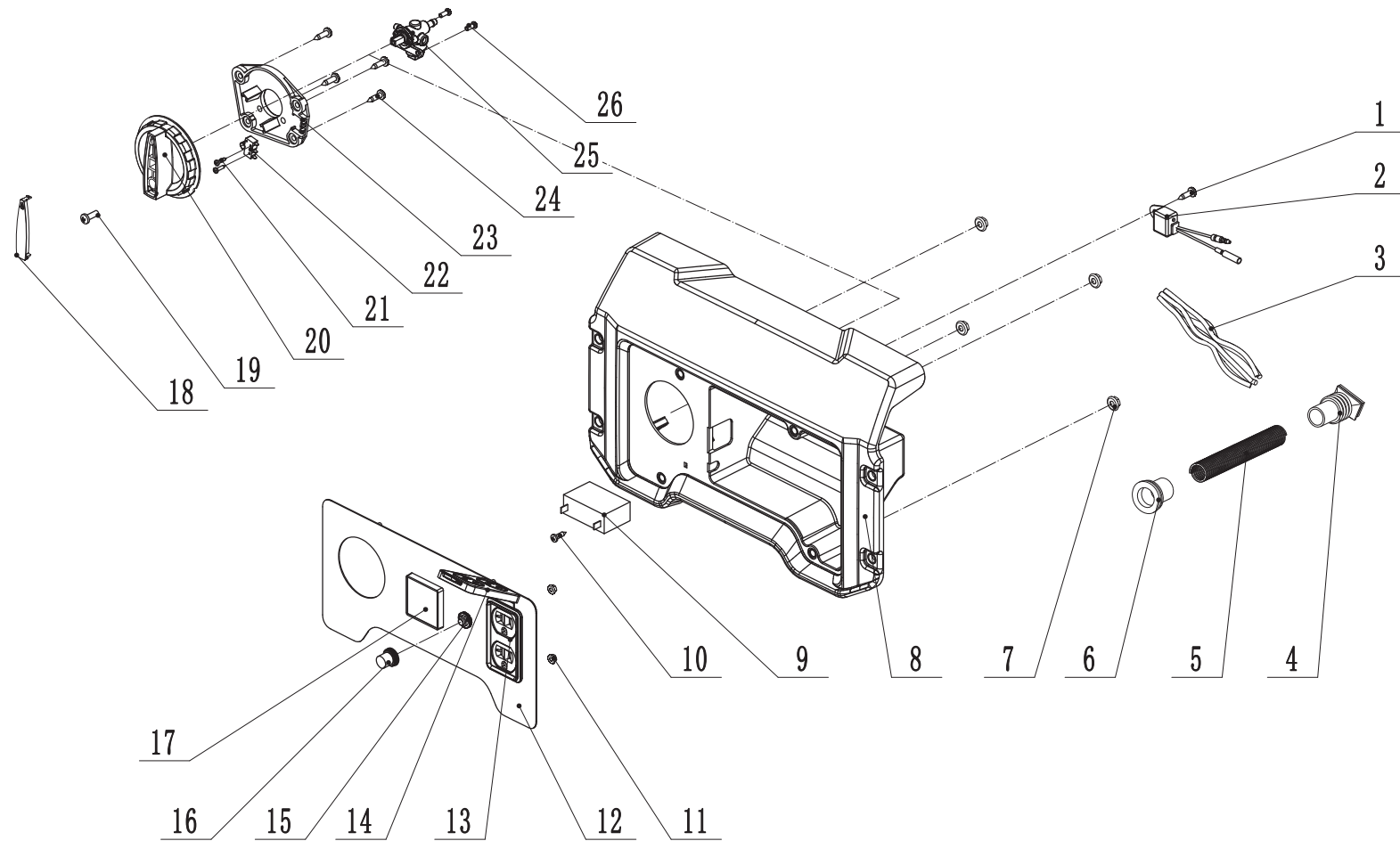


Figure G

CONTROL PANEL PART LIST

#	Part Number	Description	Qty.
1	1.845.4213	Screw, ST4.2 x 13	1
2	21.120400.00	Diode Assembly	1
3	201069.21.10	Wire Assembly	1
4	122.210003.02	Wire Jacket, Control Box	1
5	5.1330.014	Sheath, Wire	1
6	122.210003.04	Plug, End Cover	1
7	1.6177.1.05	Lock Nut M5, Flange	4
8	113.210002.13	Control Panel Housing	1
9	5.1860.005	Capacitor, 11 μ F	1
10	1.845.4216	Screw, ST4.2 x 16	1
11	1.6177.1.04.1	Lock Nut M4, Flange, Black	2
12	113.25.1.2	Control Panel	1
13	5.1120.027	Receptacle 5-20R, Duplex	1
14	5.1870.025	Receptacle Cover, Receptacle 5-20R, Duplex	1
15	5.1210.910	10Amp Circuit Breaker, Push Button, CSA	1
16	5.1870.014	Circuit Breaker Cover	1
17	5.1430.008.99	Intelligauge, VFT-2	1
18	62.139002.00.48	Cover, Fuel Select Dial	1
19	1.9074.4.0414.1	Screw/Washer Assembly M4 x 14, Black	1
20	122.139001.01	Fuel Select Dial	1
21	1.845.0.2210	Screw, ST2.2 x 10	2
22	5.1050.005	Switch	1
23	122.139004.01	Fixed Plate	1
24	1.845.4816	Screw, ST4.8 x 16	4
25	62.070400.00	Fuel Valve	1
26	1.818.0410	Screw M4 x 10	2

FRAME PART DIAGRAM

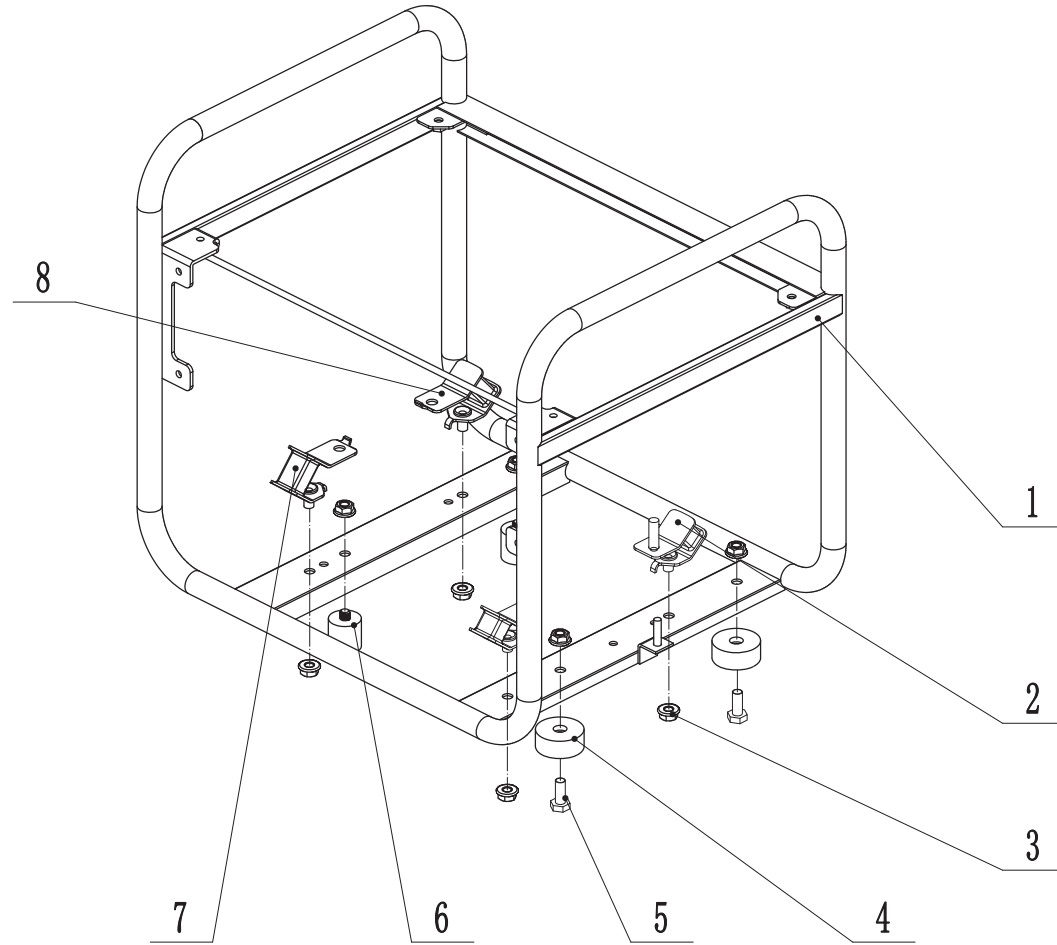


Figure H

FRAME ASSEMBLY PART LIST

#	Part Number	Description	Qty.
1	61182.0.6.2	Frame, 450 x 365 x 398mm	1
2	113.201200.02	Motor Mount	2
3	1.6177.1.08	Lock Nut M8, Flange	8
4	203.201400.01	Rubber Foot, Large	2
5	1.5783.0820	Bolt M8 x 20	2
6	122.201400.01	Rubber Foot, Small	2
7	113.201200.01	Motor Mount, Right	1
8	113.201200.00	Motor Mount, Left	1

WIRING DIAGRAM

