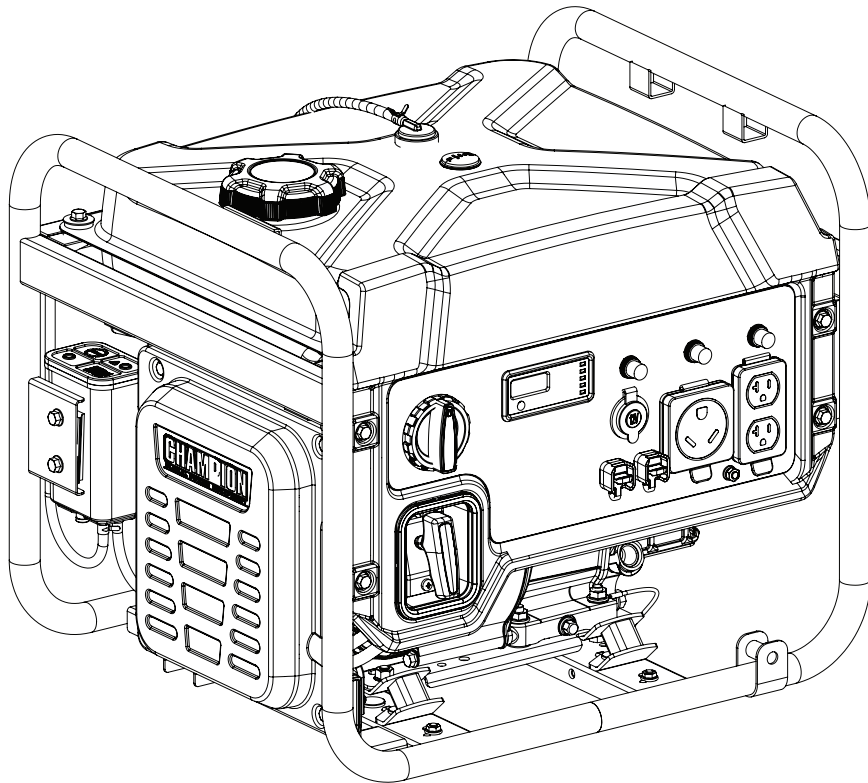




Champion Power Equipment, Inc., Santa Fe Springs, CA USA

MODEL #201049



PARTS INFORMATION

4500W OPEN FRAME INVERTER

SERIAL NUMBER RANGE: ALL

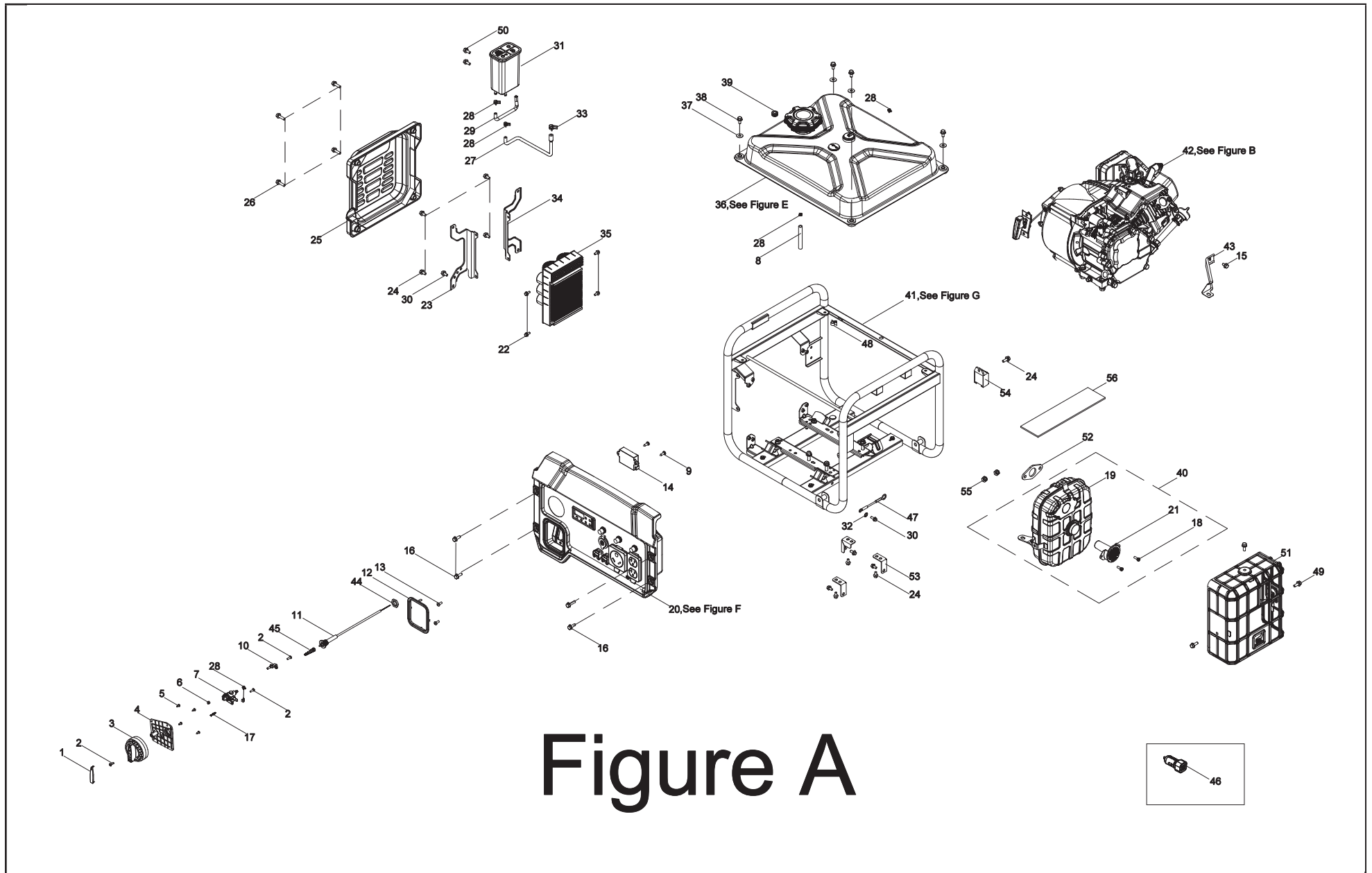


To order replacement parts please visit:
shop.championpowerequipment.com
or call **1-877-338-0999**.

TABLE OF CONTENTS

Generator Parts Diagram	3
Generator Parts List	4
Engine Parts Diagram	5
Engine Parts Part List	6
Cylinder Head Diagram	8
Cylinder Head Part List	9
Carburetor Diagram	10
Carburetor Part List	11
Fuel Tank Diagram	12
Fuel tank Part List	13
Control Panel Diagram	14
Control Panel Part List	15
Frame Assembly Diagram	16
Frame assembly Part List	17
Wiring Diagram	18

GENERATOR PARTS DIAGRAM



GENERATOR PARTS LIST

#	Part Number	Description	Qty.
1	100712234	Cover, Dial Knob	1
2	100031845-0002	Screw M4 x 12	3
3	100725108	Fuel Dial	1
4	100725109	Mounting Seat, Fuel Dial	1
5	100032963-0003	Self-tapping Screw ST3.5 x 13	4
6	100725112	Slide Block, Fuel Switch	1
7	100728457	Fuel Valve	1
8	100730997	Fuel Tube, Ø4 x Ø8 x 255	1
9	100011002-0003	Self-tapping Screw ST4.2 x 19	2
10	100725113	Stopper, Fuel Dial	1
11	100726676	Choke Lever Rack	1
12	100725010	Deco Trim, Recoil	1
13	100010954-0001	Screw M5 x 12	2
14	5.1830.022	CO Shutdown Module	1
15	100011570-0001	Flange Bolt M6 x 12	1
16	100011264-0002	Flange Bolt M6 x 16	4
17	100725111	Fuel Dial Spring	1
18	100718327	Mounting Bolt, Spark Arrester	2
19	100151976	Muffler	1
20	100726625-0001	Panel Assembly, See Figure F	1
21	100154368	Spark Arrester Assembly	1
22	100011250-0002	Flange Bolt M5 x 14	4
23	100725872	Bracket, Inverter Module, Right	1
24	100011261-0004	Flange Bolt M6 x 12	11
25	100725013-0001	Protective Cover, Inverter Module	1
26	100011266-0003	Flange Bolt M6 x 20	4
27	100726330	Vent Tube, Long	1
28	100005148	Clamp Ø8	6
29	100725015	Vent Tube, Short	1
30	100011260-0005	Flange Bolt M6 x 10, GB5789	2

#	Part Number	Description	Qty.
31	100157588	Carbon Canister, 320 cc	1
32	100128826-0001	Lock Washer Ø6, Toothed	1
33	100090871	Clamp Ø9.7 x 8	1
34	100725861	Bracket, Inverter Module, Left	1
35	100731716	Inverter Module, 120V 60Hz	1
36	100735082	Fuel Tank Assembly, See Figure E	1
37	100010437-0001	Washer Ø6.5 x 1.5 x Ø18.2	4
38	100011267-0002	Flange Bolt M6 x 22	4
39	100009075	Sheath, Vent Tube	1
40	100151975	Muffler Subassembly	1
41	100730438	Frame Assembly - See Figure C	1
42	1ZC7DC006	Engine, 224 cc, See Figure B	1
43	100158476	Holder, Air Cleaner	1
44	100729582	Nut M16 x 1.5	1
45	100728967	Spring, Choke Level	1
46	100155005	12VDC USB Adapter	1
47	100729994	Grounding Wire	1
48	100000667	Clamp Ø8 x 8	1
49	100097575-0002	Flange Bolt M6 x 10, QC340	3
50	100011260-0003	Flange Bolt M6 x 10	2
51	100142015-0001	Muffler Cover	1
52	100058175	Fitting, Fuel Tank	1
53	100725011-0001	Shipping Bracket	3
54	100748227	Rectifier Bridge, Capacitance	1
55	100011422-0004	Flange Nut M8, GB6170	2
56	100726331	Insulation Foam	1

ENGINE PARTS DIAGRAM

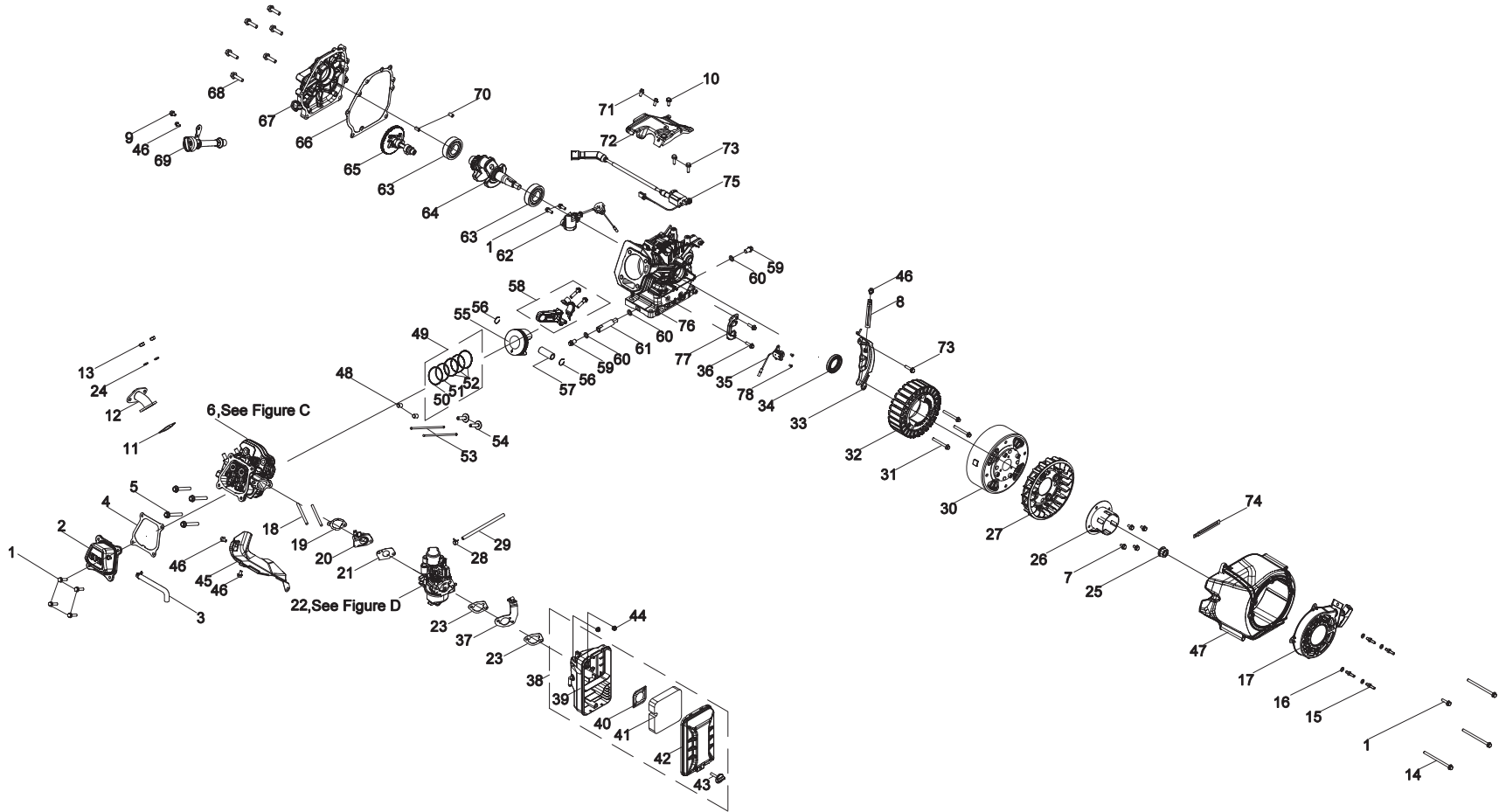


Figure B

ENGINE PARTS PART LIST

#	Part Number	Description	Qty.
1	100011264-0003	Flange Bolt M6 x 16, GB5789	7
2	100002335	Cylinder Head Cover(Cpe)	1
3	100719261	Breather Tube	1
4	100066138	Gasket, Cylinder Head Cover	1
5	100002464-0001	Flange Bolt M8 x 60	4
6	100159588	Cylinder Head Assembly, See Figure C	1
7	100011581-0001	Flange Bolt M6 x 14	4
8	100062546	Wire Clip B 1	1
9	100011263-0002	Flange Bolt M6 x 15	1
10	100055588-0006	Flange Bolt M6 x 20, GB16674	1
11	100006526	Gasket, Muffler	1
12	100142016	Exhaust Pipe	1
13	100011422-0004	Flange Nut M8, GB6170	2
14	100011284-0003	Flange Bolt M6 x 100	3
15	100011565	Flange Bolt M6 x 10, GB16674.1	4
16	100010894	Washer Ø6	4
17	100730958-0001	Recoil Starter	1
18	100061091	Stud Bolt M6 x 98	2
19	100078607	Gasket, Insulator	1
20	100122101	Insulator, Carburetor	1
21	100078606	Gasket, Carburetor	1
22	100732016	Carburetor Assembly, See Figure D	1
23	100713488	Gasket, Air Cleaner Base	2
24	100010887-0004	Spring Washer Ø8	2
25	100011459-0003	Flange Nut M14 x 1.5	1
26	100724985	Pulley, Starter	1
27	100087582	Fan, Engine Cooling	1
28	100005149	Clamp	1
29	100730998	Fuel Pipe, Ø4 x Ø10 x 310	1
30	100126953	Rotor Assembly, Permanent Magneto, Ø180 x 64 mm	1

#	Part Number	Description	Qty.
31	100011540-0007	Flange Bolt M6 x 50	3
32	100731163	Stator Assembly, Ø156 x35 mm	1
33	100130948	Lower Guard	1
34	100017644	Oil Seal Ø25 x Ø41.25 x 6	1
35	100727615	Trigger	1
36	100055591-0007	Flange Bolt M6 x 12, GB16674	2
37	100142011	Choke Lever Rack	1
38	100731202	Air Cleaner Assembly	1
39	100731587	Air Cleaner Base	1
40	100005078	Air Cleaner Baffle	1
41	100004771	Air Cleaner Element	1
42	100717012	Air Cleaner Cover	1
43	100004949	Air Cleaner Bolt	1
44	100011463-0002	Flange Nut M6	2
45	100007083	Air Guide, Lower	1
46	100011260-0005	Flange Bolt M6 x 10	4
47	100724983-0001	Fan Cover	1
48	100010558	Dowel Pin Ø10 x 16	2
49	100003243	Piston Ring Set	1
50	100072134	1st Piston Ring	1
51	100072135	2nd Piston Ring	1
52	100072136	Oil Ring	1
53	100149269	Push Rod	2
54	100149234	Lifter, Valve	2
55	100003086	Piston	1
56	100003221	Circlip, Wrist Pin	2
57	100003123	Wrist Pin	1
58	100003446	Connecting Rod	1
59	100010272	Drain Bolt, M10 x 1.25 x 15	2
60	100010459	Washer Ø10 x 1.5 x Ø16	3

#	Part Number	Description	Qty.
61	100002910-0001	Oil Drain Pipe	1
62	100731194	Oil Level Sensor	1
63	100010761	Bearing, TM6205	2
64	100126476	Crankshaft	1
65	100099599	Camshaft	1
66	100010148	Gasket, Crankcase Cover	1
67	100128008	Cover, Crankcase	1
68	100011319-0001	Flange Bolt M8 x 32	6
69	100152738-0001	Oil Dipstick Assembly	1
70	100010550	Dowel Pin Ø8 x 14	2
71	100011215-0001	Flange Bolt M6 x 12	2
72	100122168	Control Assembly	1
73	100011266-0004	Flange Bolt M6 x 20	3
74	100000655	Wire Clip B	1
75	100727607	Ignition Coil	1
76	100725320	Crankcase	1
77	100122099	Bracket, Trigger	1
78	100051029-0004	Screw M4 x 6	2

CYLINDER HEAD DIAGRAM

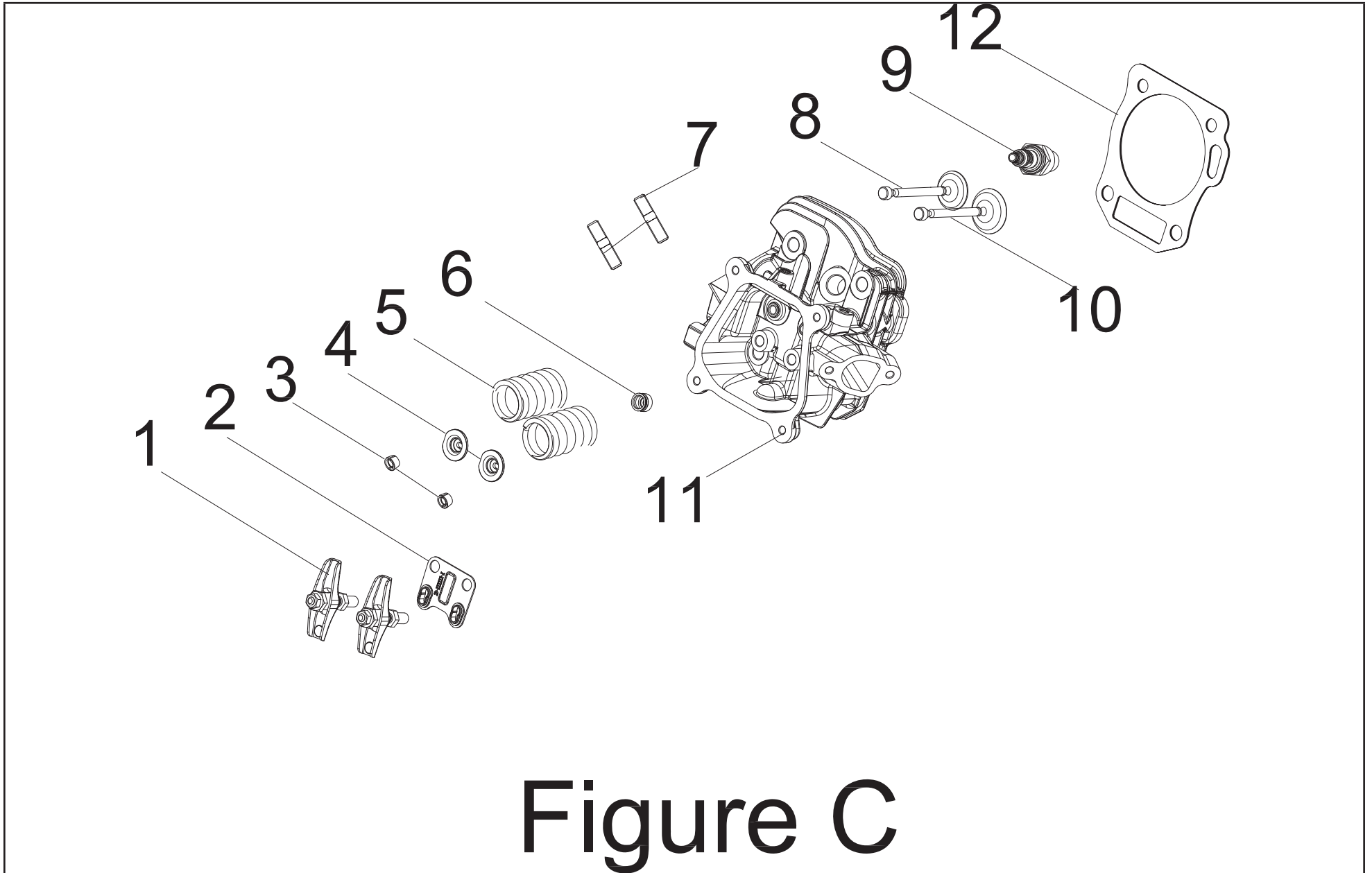


Figure C

CYLINDER HEAD PART LIST

#	Part Number	Description	Qty.
1	100149239	Rocker Arm Assembly	2
2	100050881	Guide Plate, Push Rod	1
3	100050896	Valve Collet	4
4	100073758	Valve Spring Seat, Upper	2
5	100713979	Spring, Valve	2
6	100004599	Oil Seal, Intake Valve	1
7	100010387	Stud Bolt M8 x 34	2
8	100713981	Exhaust Valve	1
9	100009378	Spark Plug F6RTC	1
10	100713980	Intake Valve	1
11	100079792	Cylinder Head	1
12	100155656	Gasket, Cylinder Head	1

CARBURETOR DIAGRAM

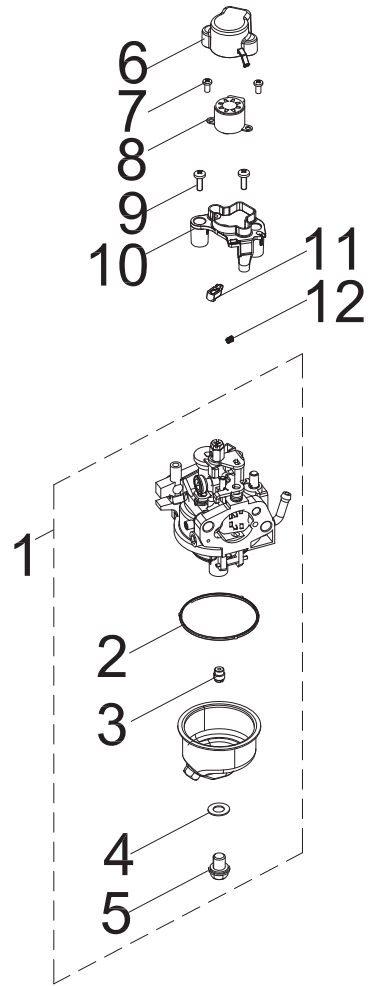


Figure D

CARBURETOR PART LIST

#	Part Number	Description	Qty.
1	100730340	Carburetor	1
2	100005717	O-Ring, Fuel Bowl	1
3	100005766	Main Jet Standard (68)	1
	100713414	Main Jet Altitude 1000-3000m (66)	/
4	100006037	Gasket, Fuel Bowl Mounting Bolt	1
5	100005725	Mounting Bolt, Fuel Bowl	1
6	100050035	Protection Cover, Stepping Motor	1
7	100051029-0004	Screw M4 x 6	2
8	100727606	Stepping Motor	1
9	100010947-0001	Screw M4 x 12	2
10	100158241	Stepping Motor Seat	1
11	100033258	Clamp, Stepping Motor Guide	1
12	100052405	Spring	1

FUEL TANK DIAGRAM

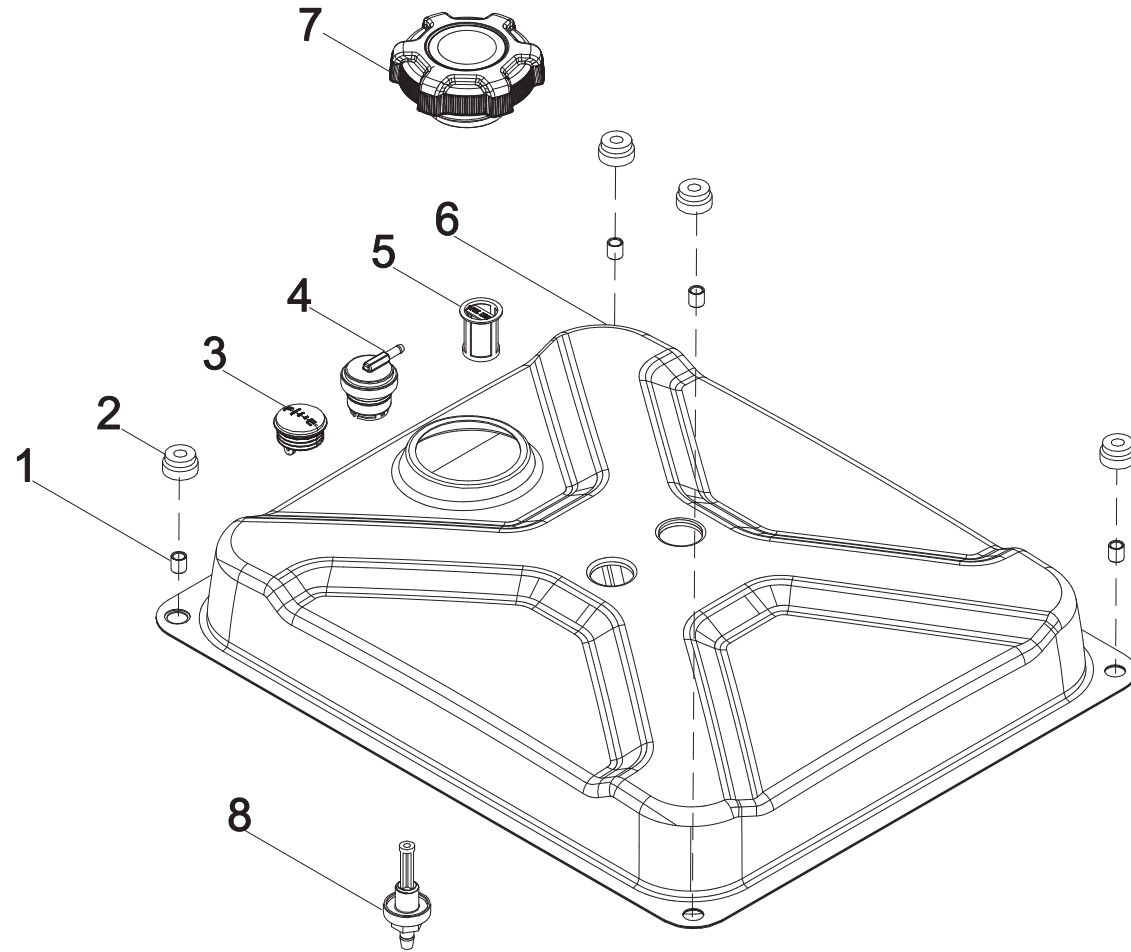


Figure E

FUEL TANK PART LIST

#	Part Number	Description	Qty.
1	100715500	Bushing, Ø9 x Ø6.6 x 10	4
2	100711813	Vibration Mounting, Fuel Tank	4
3	100727794	Fuel Gauge	1
4	100099571	Reversal Valve	1
5	100098838	Fuel Filter Assembly	1
6	100727618-0001	Fuel Tank, 11L	1
7	100142004	Fuel Tank Cap	1
8	100714546	Fitting, Fuel Tank	1

CONTROL PANEL DIAGRAM

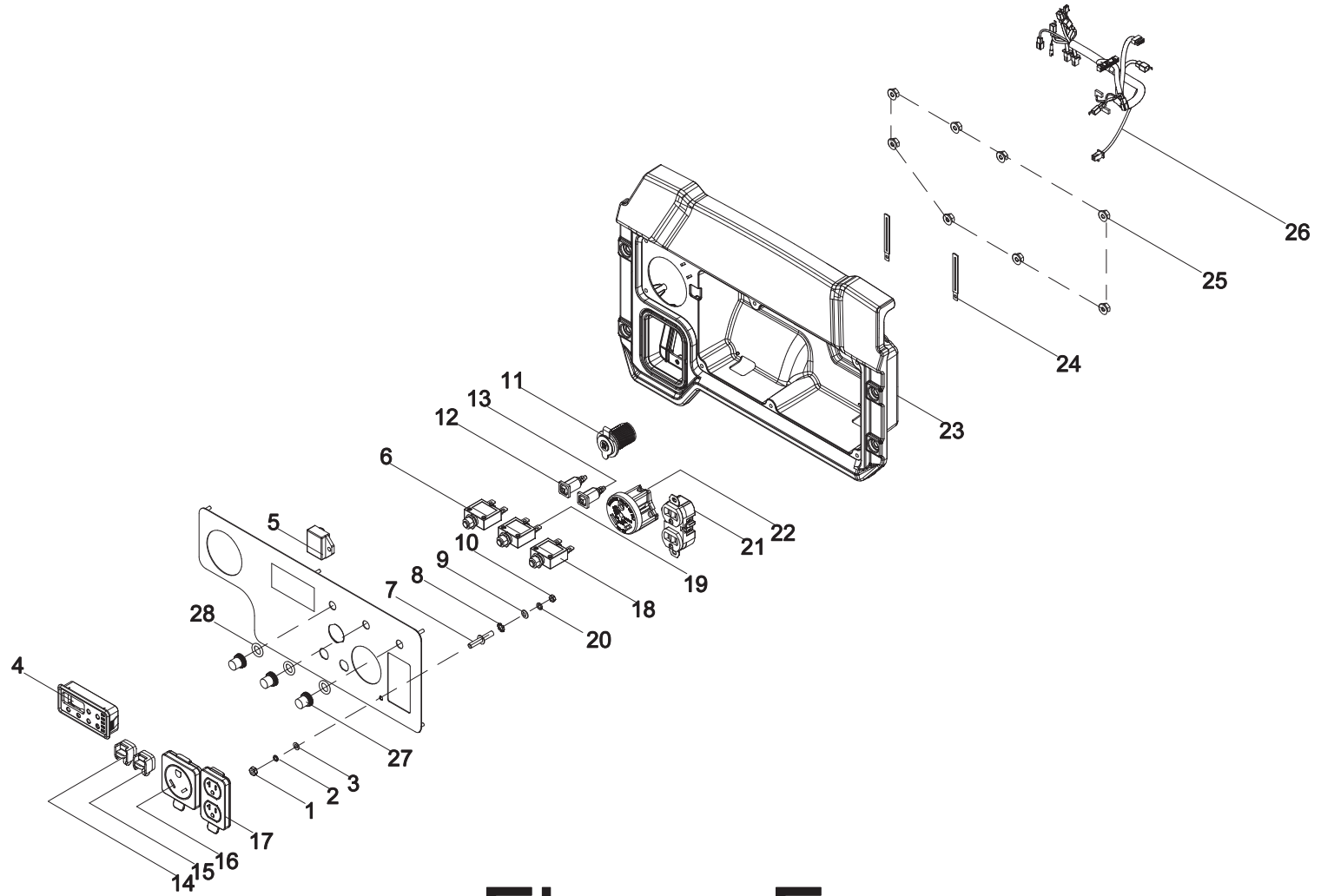


Figure F

CONTROL PANEL PART LIST

#	Part Number	Description	Qty.
1	100011421-0002	Flange Nut M6, GB6170	1
2	100010886-0002	Spring Washer Ø6	1
3	100010910-0002	Washer Ø6	1
4	100731288	Intelligauge, INT5CINV	1
5	100137347-0001	Ignition Module	1
6	10057719	8Amp Circuit Breaker, Push Button	1
7	100092320-0002	Grounding Stud	1
8	100011025-0001	Lock Washer Ø6, Toothed	1
9	100010919-0001	Washer Ø5	1
10	100011419-0003	Flange Nut M5	1
11	100019782	Receptacle, 12 VDC	1
12	100746006-0001	Parallel Outlet Socket, Red	1
13	100746006-0002	Parallel Outlet Socket, Black	1
14	100735685-0001	Cover, Parallel Outlet Socket, Red	1
15	100735685-0002	Cover, Parallel Outlet Socket, Black	1
16	100731572	Receptacle Cover, TT-30R	1
17	100731575	Receptacle Cover, 5-20R, Duplex	1
18	100019747	20Amp Circuit Breaker, Push Button	1
19	100019756	30Amp Circuit Breaker, Push Button	1
20	100010885-0003	Spring Washer Ø5	1
21	100020029	Receptacle 5-20R, Duplex	1
22	100020008	Receptacle TT-30R	1
23	100725008	Control Panel Housing	1
24	100000655	Wire Clip B	2
25	100011446-0001	Flange Nut M4	8
26	100727491	Wire Harness Assembly	1
27	100120180	Cover, Circuit Breaker	3
28	100031552	O-Ring	3

FRAME ASSEMBLY DIAGRAM

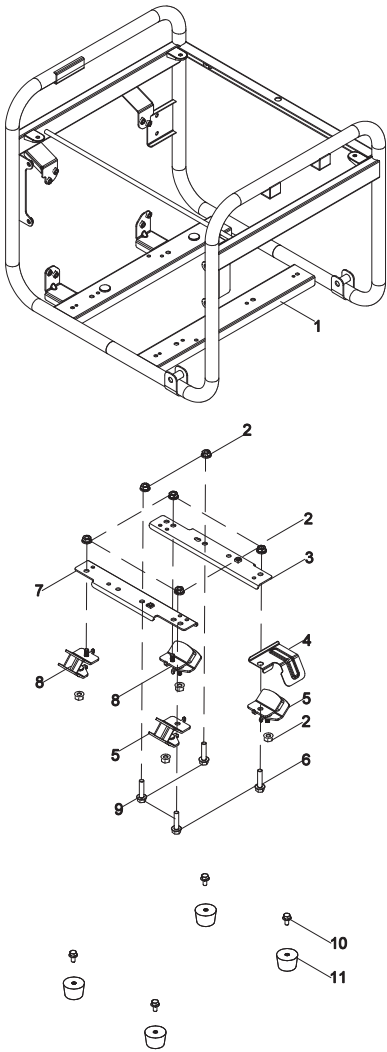


Figure G

FRAME ASSEMBLY PART LIST

#	Part Number	Description	Qty.
1	100730625-0001	Frame	1
2	100079483-0001	Flange Nut M8	10
3	100731886	Front Mounting Bracket, Engine	1
4	100162980	Insulator shield	1
5	100093523	Vibration Mount 2, Support	2
6	100011323-0001	Flange Bolt M8 x 38	1
7	100162854	Rear Mounting Bracket, Engine	1
8	100093524	Vibration Mount 1, Support	2
9	100011320-0002	Flange Bolt M8 x 35	3
10	100011452-0003	Flange Nut M6	4
11	100022335	Damping Pad	4
12	100010964-0002	Screw M6 x 12	4

WIRING DIAGRAM

