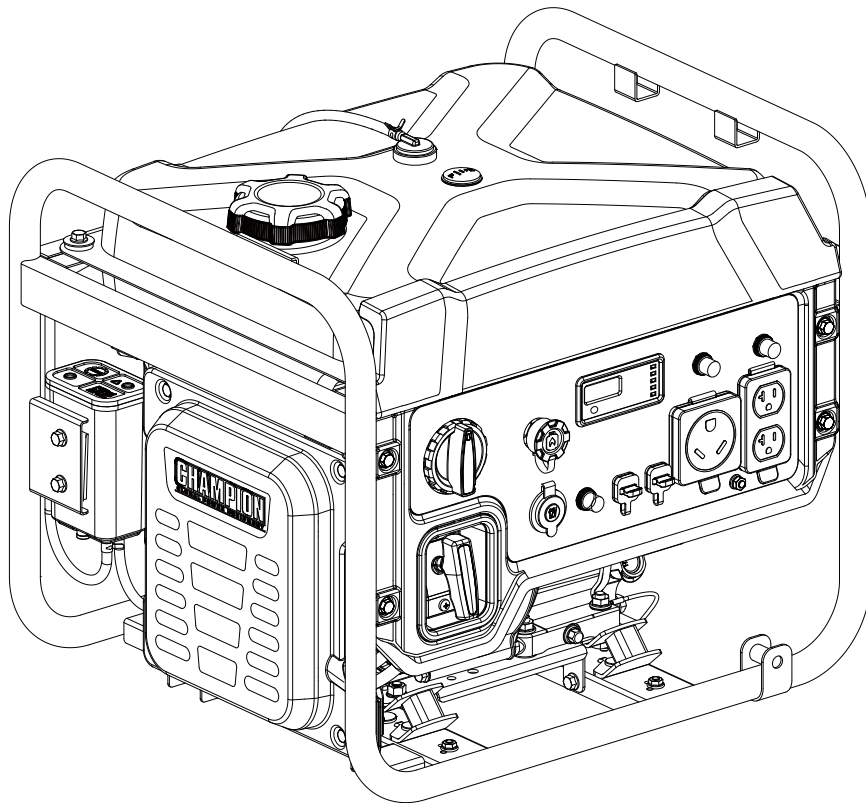




Champion Power Equipment, Inc., Santa Fe Springs, CA USA

**MODEL #200978**



## **PARTS INFORMATION**

**4500W DUAL FUEL OPEN FRAME INVERTER**

**SERIAL NUMBER RANGE: ALL**

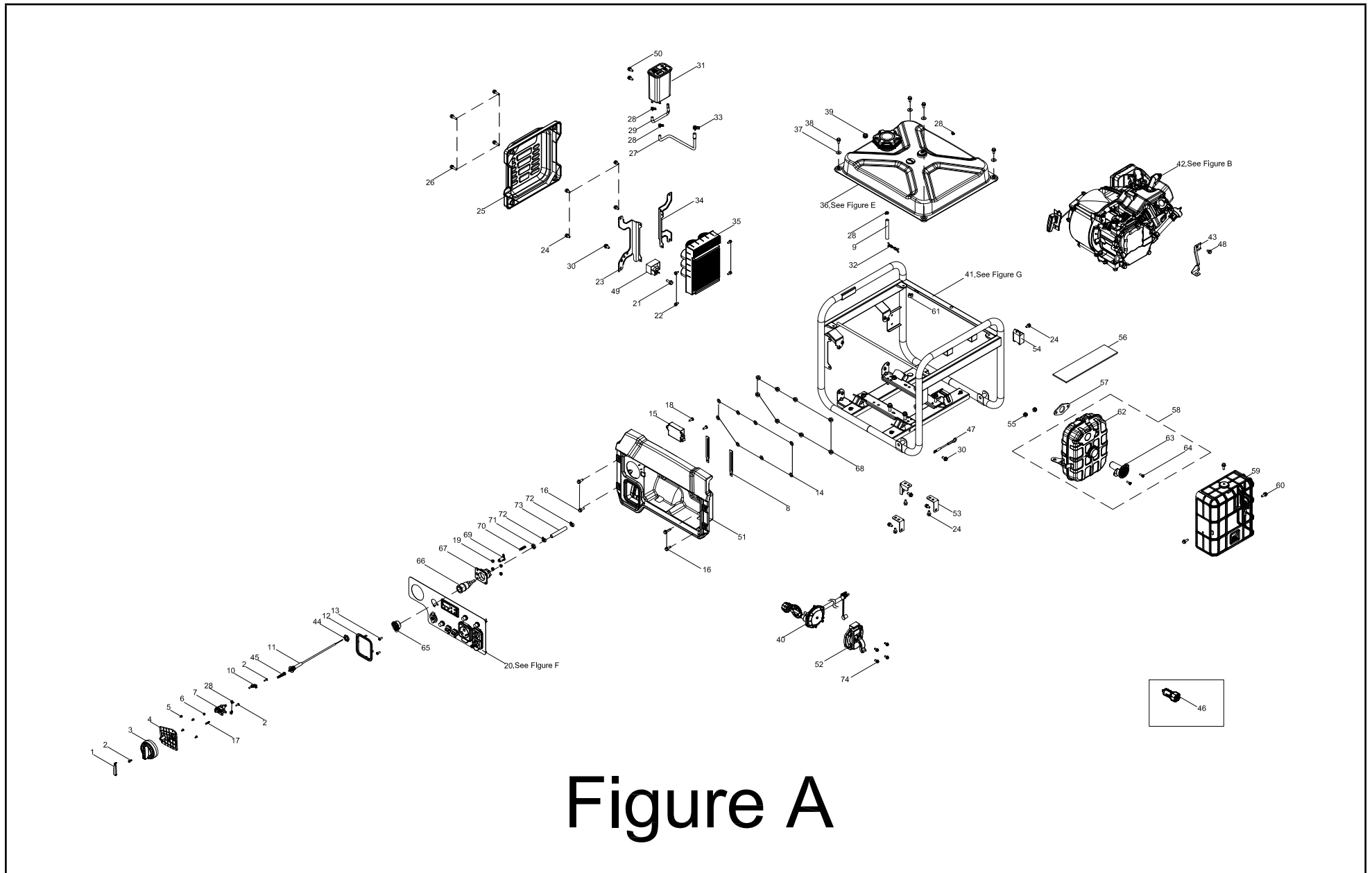


To order replacement parts please visit:  
**[shop.championpowerequipment.com](http://shop.championpowerequipment.com)**  
or call **1-877-338-0999**.

## **TABLE OF CONTENTS**

<b>Inverter Parts Diagram .....</b>	<b>3</b>
<b>Inverter Parts List .....</b>	<b>4</b>
<b>Engine Parts Diagram .....</b>	<b>6</b>
<b>Engine Parts Part List .....</b>	<b>7</b>
<b>Cylinder Head Part Diagram .....</b>	<b>9</b>
<b>Cylinder Head Part List .....</b>	<b>10</b>
<b>Carburetor Part Diagram .....</b>	<b>11</b>
<b>Carburetor Part List .....</b>	<b>12</b>
<b>Fuel Tank Part Diagram .....</b>	<b>13</b>
<b>Fuel Tank Part List .....</b>	<b>14</b>
<b>Control Panel Part Diagram .....</b>	<b>15</b>
<b>Control Panel Part List .....</b>	<b>16</b>
<b>Frame Part Diagram .....</b>	<b>17</b>
<b>Frame Part List .....</b>	<b>18</b>
<b>Wiring Diagram .....</b>	<b>19</b>

# INVERTER PARTS DIAGRAM



# Figure A

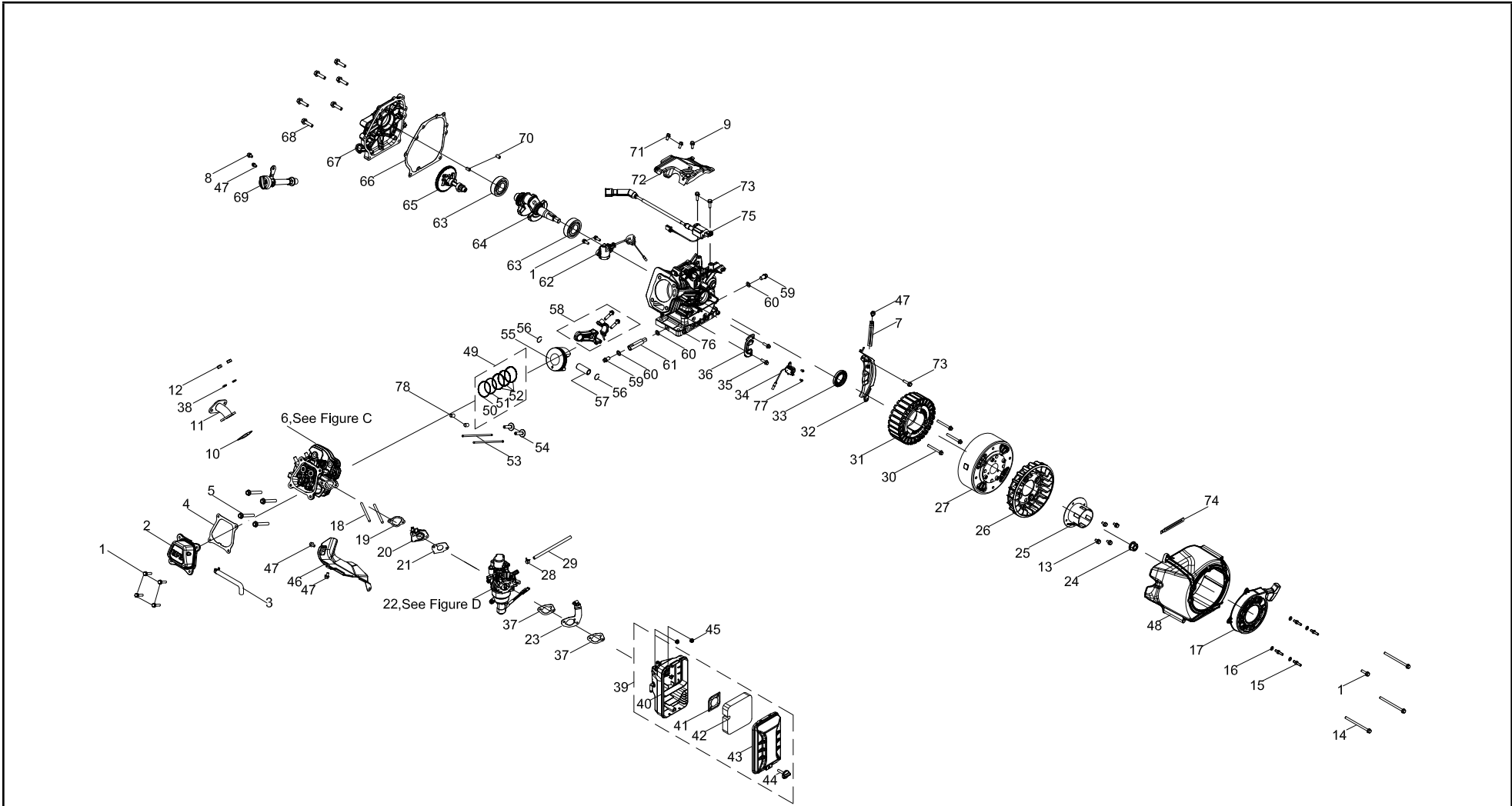
## INVERTER PARTS LIST

#	Part Number	Description	Qty.
1	100712234	Cover, Dial Knob	1
2	100031845-0002	Screw M4 x 12	3
3	100725108	Fuel Dial	1
4	100725109	Mounting Seat, Fuel Dial	1
5	100032963-0003	Self-tapping Screw ST3.5 x 13	4
6	100725112	Slide Block, Fuel Switch	1
7	100728457	Fuel Valve	1
8	100062546	Wire Clip B	2
9	100730997	Fuel Tube, Ø4 x Ø8 x 255	1
10	100725113	Stopper, Fuel Dial	1
11	100726676	Choke Lever Rack	1
12	100725010	Deco Trim, Recoil	1
13	100010954-0001	Screw M5 x 12	2
14	100010909-0003	Washer Ø5, GB97.1	8
15	5.1830.022	CO Shutdown Module	1
16	100011264-0002	Flange Bolt M6 x 16	4
17	100725111	Spring, Fuel Dial	1
18	100011002-0003	Self-tapping Screw ST4.2 x 19	2
19	100011065-0002	Flange Nut M4	4
20	100727490-0001	Panel Assembly, See Figure F	1
21	100011264-0003	Flange Bolt M6 x 16	1
22	100011518-0001	Flange Bolt M5 x 14	4
23	100725872	Bracket, Inverter Module, Right	1
24	100011261-0004	Flange Bolt M6 x 12	11
25	100725013	Protective Cover, Inverter Module	1
26	100011266-0003	Flange Bolt M6 x 20	4
27	100726330	Vent Tube, Long	1
28	100005148	Clamp Ø8	6
29	100725015	Vent Tube, Short	1
30	100011260-0005	Flange Bolt M6 x 10, GB5789	2

#	Part Number	Description	Qty.
31	100157588	Carbon Canister, 320 cc	1
32	100000658	Clamp	1
33	100005159	Clamp Ø10.5 x 8	1
34	100725861	Bracket, Inverter Module, Left	1
35	100731716	Inverter Module, 120V 60Hz	1
36	100735082	Fuel Tank Assembly, See Figure E	1
37	100010437-0001	Washer Ø6.5 x 1.5 x Ø18.2	4
38	100011267-0002	Flange Bolt M6 x 22	4
39	100009075	Sheath, Vent Tube	1
40	100715708	LPG Hose with Regulator	1
41	100730438	Frame Assembly - See Figure C	1
42	1ZC7DFS04	Engine, 224 cc, See Figure B	1
43	100158476	Holder, Air Cleaner	1
44	100729582	Nut M16 x 1.5	1
45	100728967	Spring, Choke Level	1
46	100155005	12VDC USB Adapter	1
47	100729994	Grounding Wire	1
48	100055592-0005	Flange Bolt M6 x 10	1
49	100715460	Fuel Solenoid Valve Controller	1
50	100011260-0003	Flange Bolt M6 x 10	2
51	100729982	Control Panel Housing	1
52	100715007	Mounting Cover, Gas Pressure Valve	1
53	100725011	Shipping Bracket	3
54	100713834	Rectifier Bridge, Capacitance	1
55	100011422-0004	Flange Nut M8, GB6170	2
56	100726331	Insulation Foam	1
57	100058175	Gasket, Muffler, Graphite	1
58	100151975	Muffler Subassembly	1
59	100142015-0001	Muffler Cover	1
60	100097575-0002	Flange Bolt M6 x 10, QC340	3

#	Part Number	Description	Qty.
61	100000667	Clamp Ø8 x 8	1
62	100151976	Muffler	1
63	100154368	Spark Arrester Assembly	1
64	100718327	Mounting Bolt, Spark Arrester	2
65	100158478	Protector Cover, Quick Connector	1
66	100715707	Self-locking Quick Connector, Female	1
67	100157218	Mounting Seat, Self-locking Quick Connector	1
68	100011450-0001	Nut M4	8
69	100157217	Sliding Block, Mounting Seat	1
70	100157221	Spring, Mounting Seat	1
71	100160807	Nut M10	1
72	100159468-0001	Clamp, Fuel Hose	2
73	100729983	Gas Hose, 325 mm	1
74	100011570-0007	Flange Bolt M6 x 12	4

# ENGINE PARTS DIAGRAM



## Figure B

**ENGINE PARTS PART LIST**

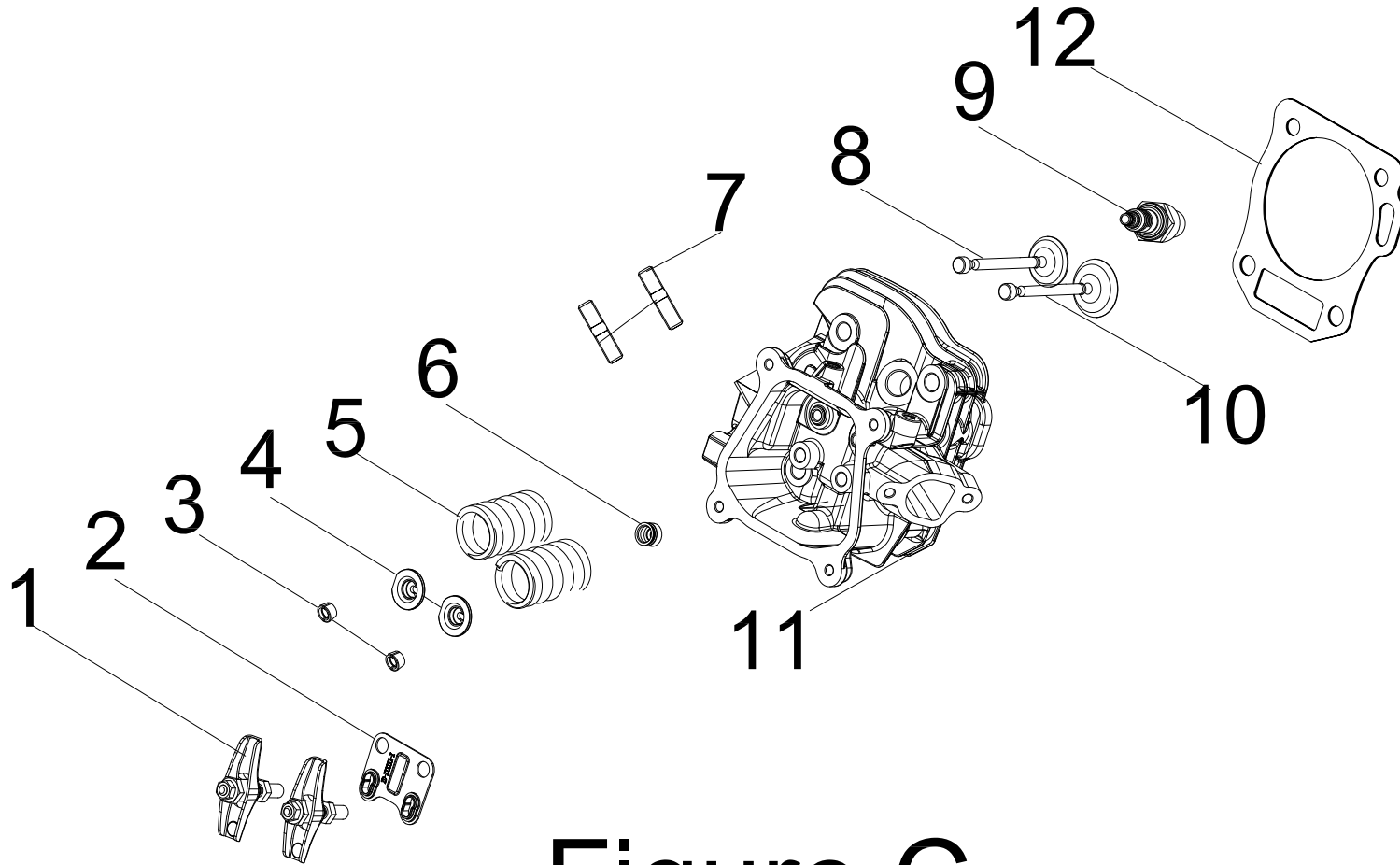
#	Part Number	Description	Qty.
1	100011264-0003	Flange Bolt M6 x 16, GB5789	7
2	100002335	Cylinder Head Cover(Cpe)	1
3	100719261	Breather Tube	1
4	100066138	Gasket, Cylinder Head Cover	1
5	100002464-0001	Flange Bolt M8 x 60	4
6	100723697	Cylinder Head Assembly, See Figure C	1
7	100062546	Wire Clip B 1	1
8	100011263-0002	Flange Bolt M6 x 15	1
9	100055588-0006	Flange Bolt M6 x 20, GB16674	1
10	100006526	Gasket, Muffler	1
11	100142016	Exhaust Pipe	1
12	100011422-0004	Flange Nut M8, GB6170	2
13	100011581-0001	Flange Bolt M6 x 14	4
14	100011284-0003	Flange Bolt M6 x 100	3
15	100135072	Flange Bolt M6	4
16	100010894	Washer Ø6	4
17	100724977-0001	Recoil Starter	1
18	100061091	Stud Bolt M6 x 98	2
19	100078607	Gasket, Insulator	1
20	100122101	Insulator, Carburetor	1
21	100078606	Gasket, Carburetor	1
22	100732018	Carburetor Assembly, See Figure D	1
23	100142011	Choke Lever Rack	1
24	100011459-0003	Flange Nut M14 x 1.5	1
25	100724985	Pulley, Starter	1
26	100087582	Cooling Fan	1
27	100126953	Rotor Assembly, Permanent Magneto, Ø180 x 64 mm	1
28	100005148	Clamp	1
29	100730998	Fuel Tube, Ø4 x Ø8 x 350	1

#	Part Number	Description	Qty.
30	100011540-0007	Flange Bolt M6 x 50	3
31	100731163	Stator Assembly, Ø156 x35 mm	1
32	100130948	Lower Guard	1
33	100017644	Oil Seal Ø25 x Ø41.25 x 6	1
34	100727615	Trigger	1
35	100055591-0007	Flange Bolt M6 x 12, GB16674	2
36	100122099	Bracket, Trigger	1
37	100713488	Gasket, Air Cleaner Base	2
38	100010887-0004	Spring Washer Ø8	2
39	100731202	Air Cleaner Assembly	1
40	100731587	Air Cleaner Base	1
41	100005078	Air Cleaner Baffle	1
42	100004771	Air Cleaner Element	1
43	100717012	Air Cleaner Cover	1
44	100004949	Air Cleaner Bolt	1
45	100011463-0002	Flange Nut M6	2
46	100007083	Air Guide, Lower	1
47	100011260-0005	Flange Bolt M6 x 10	4
48	100724983-0001	Fan Cover	1
49	100003243	Piston Ring Set	1
50	100072134	1st Piston Ring	1
51	100072135	2nd Piston Ring	1
52	100072136	Oil Ring	1
53	100149269	Push Rod	2
54	100149234	Lifter, Valve	2
55	100003086	Piston	1
56	100003221	Circlip, Wrist Pin	2
57	100003123	Wrist Pin	1
58	100003446	Connecting Rod	1
59	100010272	Drain Bolt, M10 x 1.25 x 15	2

#	Part Number	Description	Qty.
60	100010459	Washer Ø10 x 1.5 x Ø16	3
61	100002910-0001	Oil Drain Pipe	1
62	100731194	Oil Level Sensor	1
63	100010761	Bearing, TM6205	2
64	100126476	Crankshaft	1
65	100099599	Camshaft	1
66	100010148	Gasket, Crankcase Cover	1
67	100128008	Cover, Crankcase	1
68	100011319-0001	Flange Bolt M8 x 32	6
69	100152738-0001	Oil Dipstick Assembly	1
70	100010550	Dowel Pin Ø8 x 14	2
71	100011215-0001	Flange Bolt M6 x 12	2
72	100122168	Control Assembly	1
73	100011266-0004	Flange Bolt M6 x 20	3
74	100000655	Wire Clip B	1
75	100727607	Ignition Coil	1
76	100725320	Crankcase	1
77	100051029-0004	Screw M4 x 6	2
78	100010558	Dowel Pin Ø10 x 16	2



## CYLINDER HEAD PART DIAGRAM

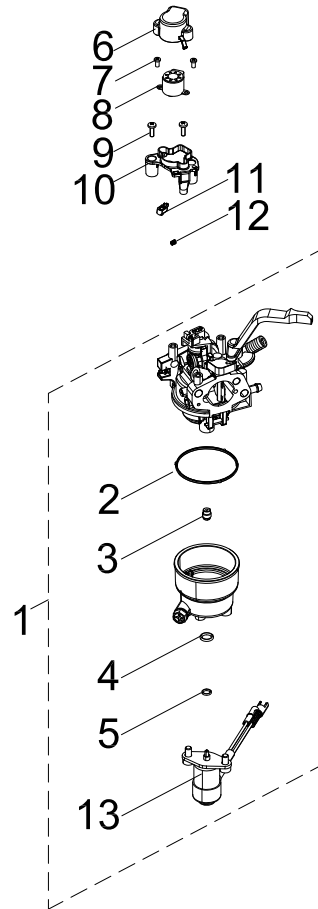


# Figure C

**CYLINDER HEAD PART LIST**

#	Part Number	Description	Qty.
1	100149239	Rocker Arm Assembly	2
2	100050881	Guide Plate, Push Rod	1
3	100050896	Valve Collet	4
4	100073758	Valve Spring Seat, Upper	2
5	100713979	Spring, Valve	2
6	100004599	Oil Seal, Intake Valve	1
7	100010387	Stud Bolt M8 x 34	2
8	100713981	Exhaust Valve	1
9	100009378	Spark Plug F6RTC	1
10	100713980	Intake Valve	1
11	100716398	Cylinder Head	1
12	100155656	Gasket, Cylinder Head	1

## CARBURETOR PART DIAGRAM

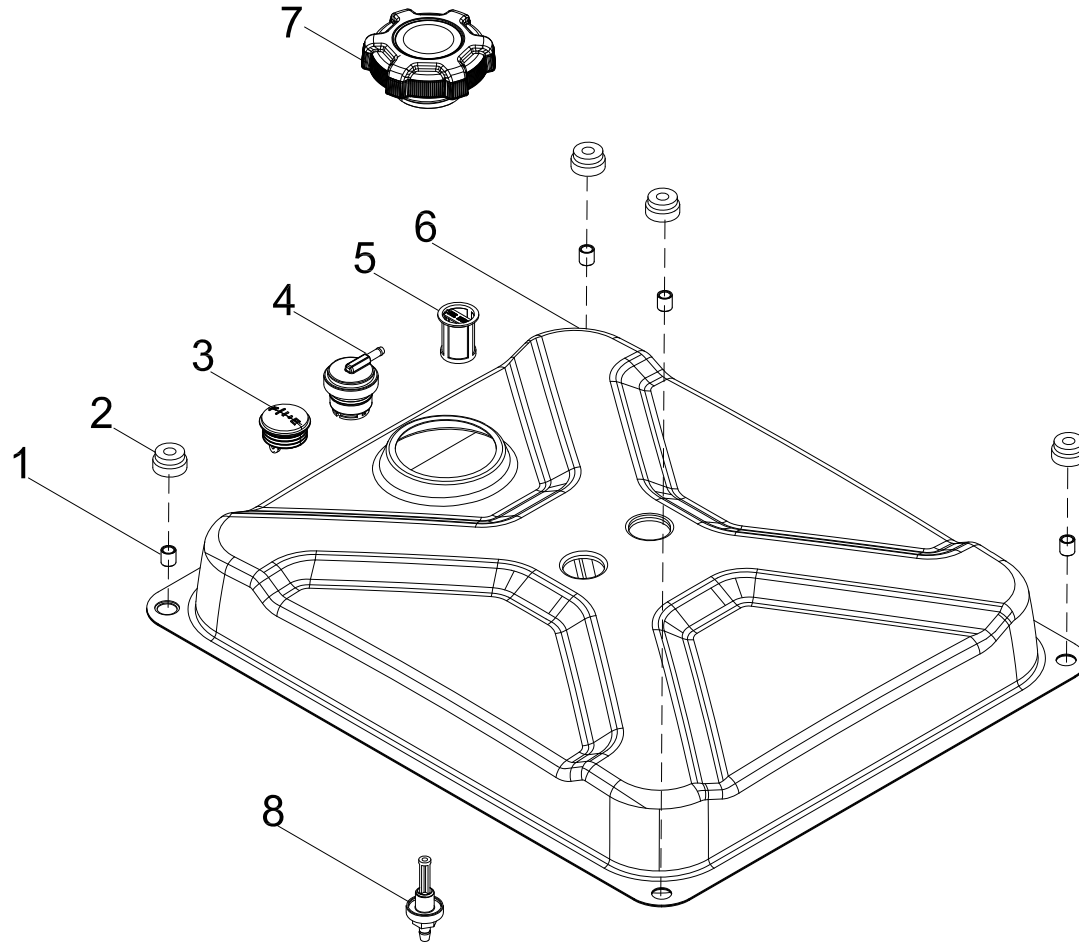


# Figure D

**CARBURETOR PART LIST**

#	Part Number	Description	Qty.
1	100714245	Carburetor	1
2	100005717	O-Ring, Fuel Bowl	1
3	100005766	Main Jet Standard (#68)	1
	100713414	Main Jet Altitude 1000-3000m (#66)	/
4	100130186	O-Ring, Solenoid Valve Base	1
5	100130185	O-Ring, Solenoid Valve	1
6	100050035	Protection Cover, Stepping Motor	1
7	100051029-0004	Screw M4 x 6	2
8	100727606	Stepping Motor	1
9	100010947-0001	Screw M4 x 12	2
10	100030062	Stepping Motor Seat	1
11	100033258	Clamp, Stepping Motor Guide	1
12	100052405	Spring	1
13	100718072	Solenoid Valve	1

## FUEL TANK PART DIAGRAM



# Figure E

**FUEL TANK PART LIST**

#	Part Number	Description	Qty.
1	100715500	Bushing, Ø9 x Ø6.6 x 10	4
2	100711813	Vibration Mounting, Fuel Tank	4
3	100727794	Fuel Gauge	1
4	100099571	Reversal Valve	1
5	100098838	Fuel Filter Assembly	1
6	100727618-0001	Fuel Tank, 11L	1
7	100142004	Fuel Tank Cap	1
8	100714546	Fitting, Fuel Tank	1

## CONTROL PANEL PART DIAGRAM

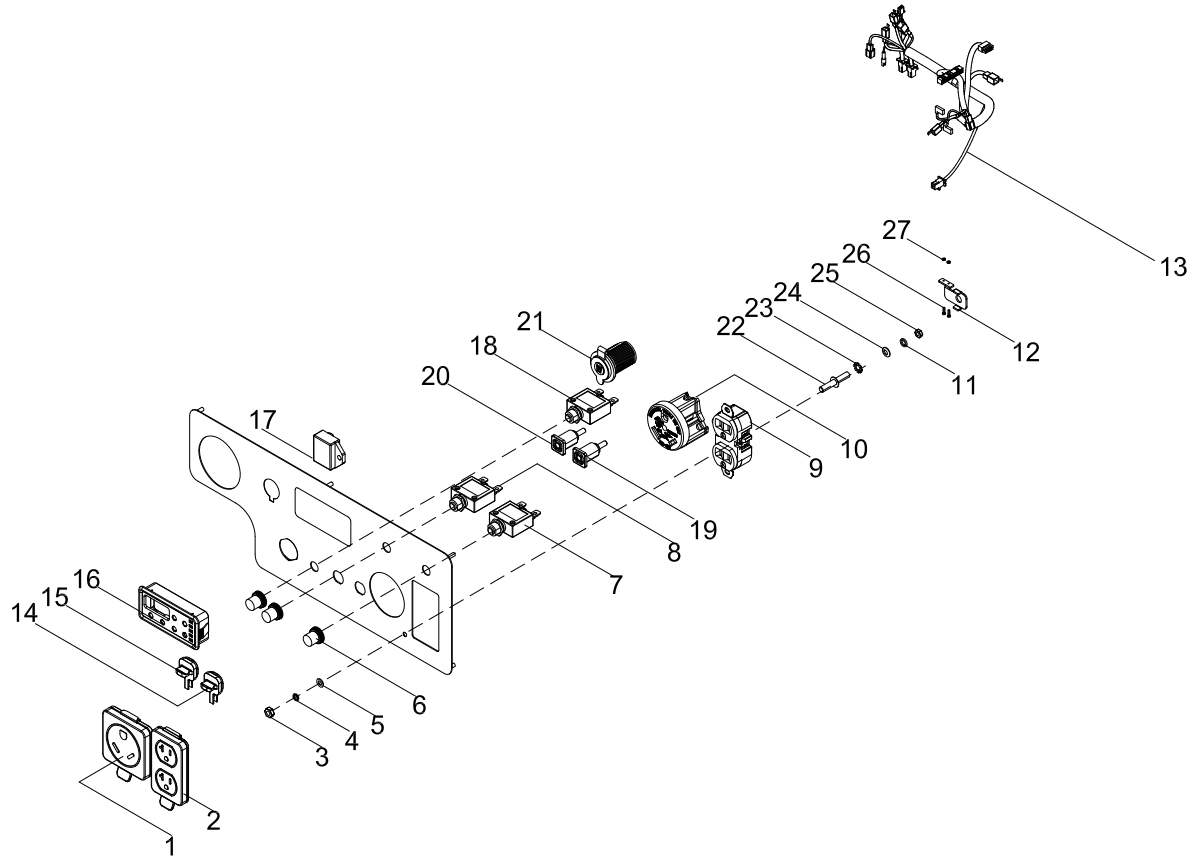


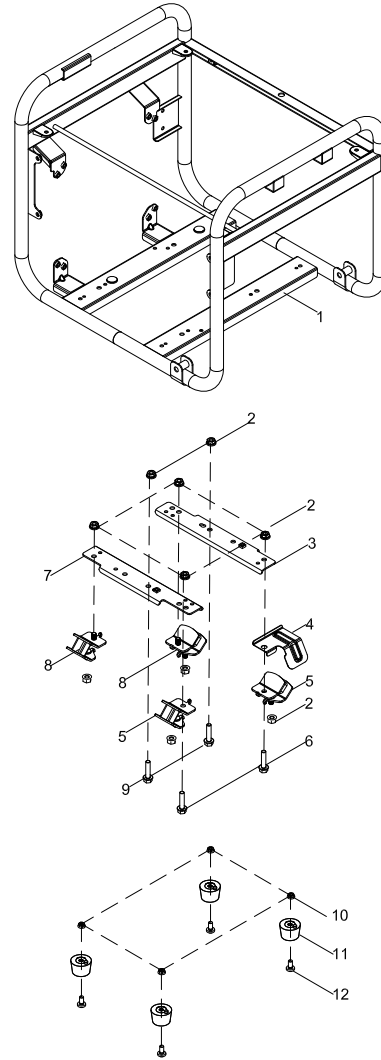
Figure F

**CONTROL PANEL PART LIST**

#	Part Number	Description	Qty.
1	100731572	Receptacle Cover, TT-30R	1
2	100731575	Receptacle Cover, 5-20R, Duplex	1
3	100011421-0002	Flange Nut M6, GB6170	1
4	100010886-0002	Spring Washer Ø6	1
5	100010910-0002	Washer Ø6	1
6	100120180	Cover, Circuit Breaker	3
7	100019747	20Amp Circuit Breaker, Push Button	1
8	100019756	30Amp Circuit Breaker, Push Button	1
9	100020029	Receptacle 5-20R, Duplex	1
10	100020008	Receptacle TT-30R	1
11	100010885-0003	Spring Washer Ø5	1
12	100157215	Mounting Plate	1
13	100727493	Wire Harness Assembly	1
14	100150096-0002	Cover, Parallel Outlet Socket, Black	1
15	100150096-0001	Cover, Parallel Outlet Socket, Red	1
16	100731288	Intelligauge, INT5CINV	1
17	100137347-0001	Ignition Module	1
18	10057719	8Amp Circuit Breaker, Push Button	1
19	100091059-0002	Parallel Outlet Socket, Black	1
20	100091059-0001	Parallel Outlet Socket, Red	1
21	100019782	Receptacle, 12 VDC	1
22	100092320-0002	Grounding Stud	1
23	100011025-0001	Lock Washer Ø6, Toothed	1
24	100010919-0001	Washer Ø5	1
25	100011419-0003	Flange Nut M5	1
26	100719040-0001	Screw M2.5 x 18	2
27	100096063-0001	Flange Nut M2.5	2



## FRAME PART DIAGRAM



# Figure G

**FRAME PART LIST**

#	Part Number	Description	Qty.
1	100730625-0001	Frame	1
2	100079483-0001	Flange Nut M8	10
3	100731886	Front Mounting Bracket, Engine	1
4	100162980	Insulator shield	1
5	100093523	Vibration Mount 2, Support	2
6	100011323-0001	Flange Bolt M8 x 38	2
7	100162854	Rear Mounting Bracket, Engine	1
8	100093524	Vibration Mount 1, Support	2
9	100011320-0002	Flange Bolt M8 x 35	2
10	100011452-0003	Flange Nut M6	4
11	100022335	Damping Pad	4
12	100010964-0002	Screw M6 x 12	4

# WIRING DIAGRAM

