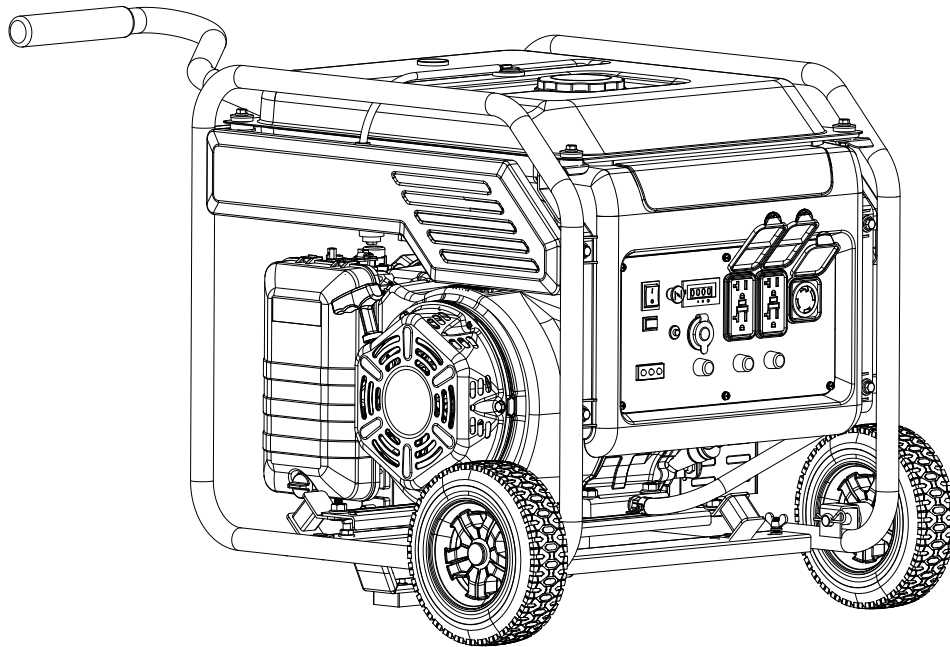




Champion Power Equipment, Inc., Santa Fe Springs, CA USA

**MODEL #100519**



## **PARTS INFORMATION**

**6250W OPEN FRAME INVERTER**

**SERIAL NUMBER RANGE: BEFORE 21MAR0300060**

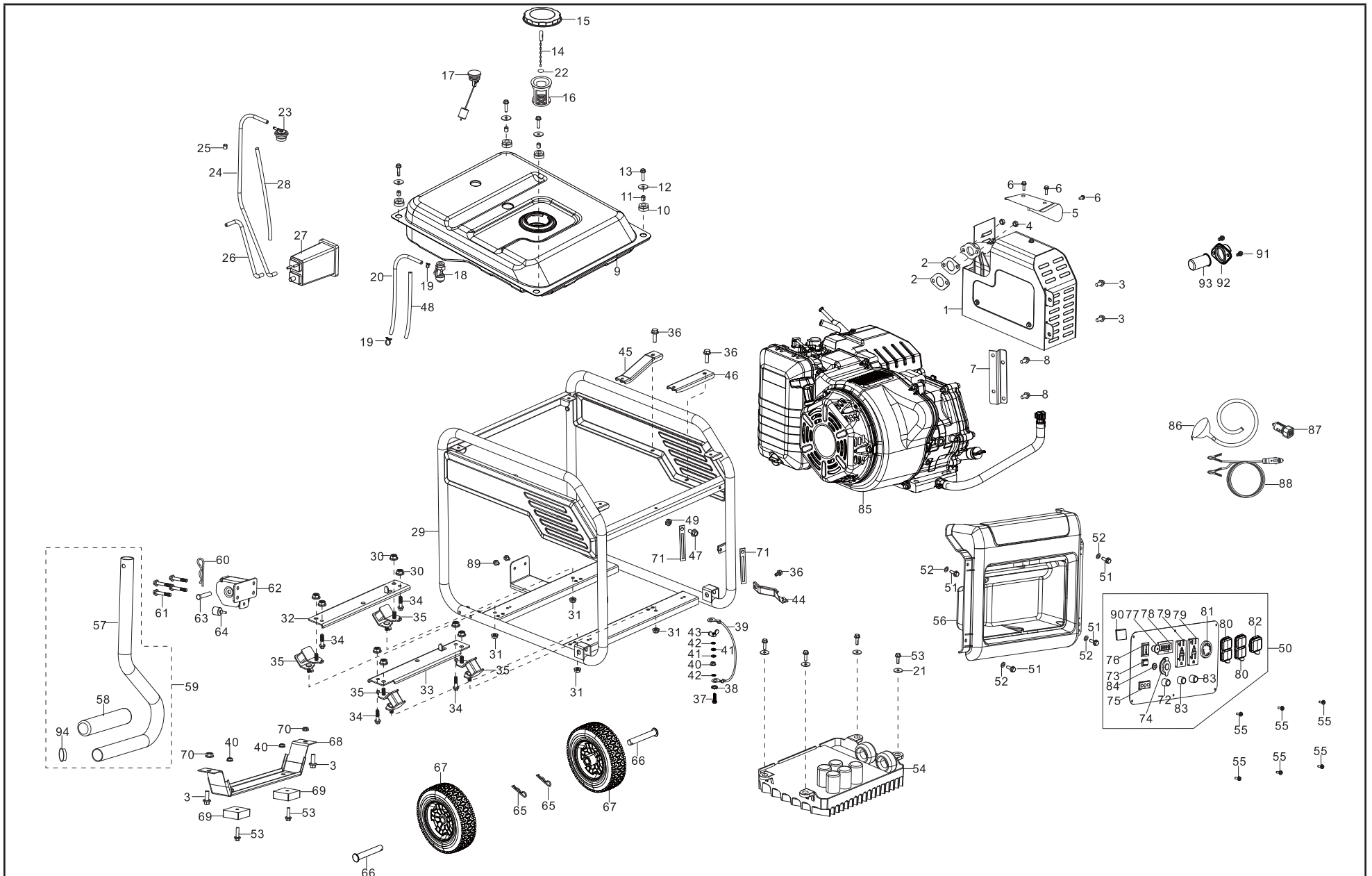


To order replacement parts please visit:  
**[shop.championpowerequipment.com](http://shop.championpowerequipment.com)**  
or call **1-877-338-0999**.

## **TABLE OF CONTENTS**

<b>Generator Parts Diagram .....</b>	<b>3</b>
<b>Generator Parts List.....</b>	<b>4</b>
<b>Engine Parts Diagram .....</b>	<b>6</b>
<b>Engine Parts List.....</b>	<b>7</b>
<b>Wiring Diagram .....</b>	<b>9</b>

# GENERATOR PARTS DIAGRAM



## GENERATOR PARTS LIST

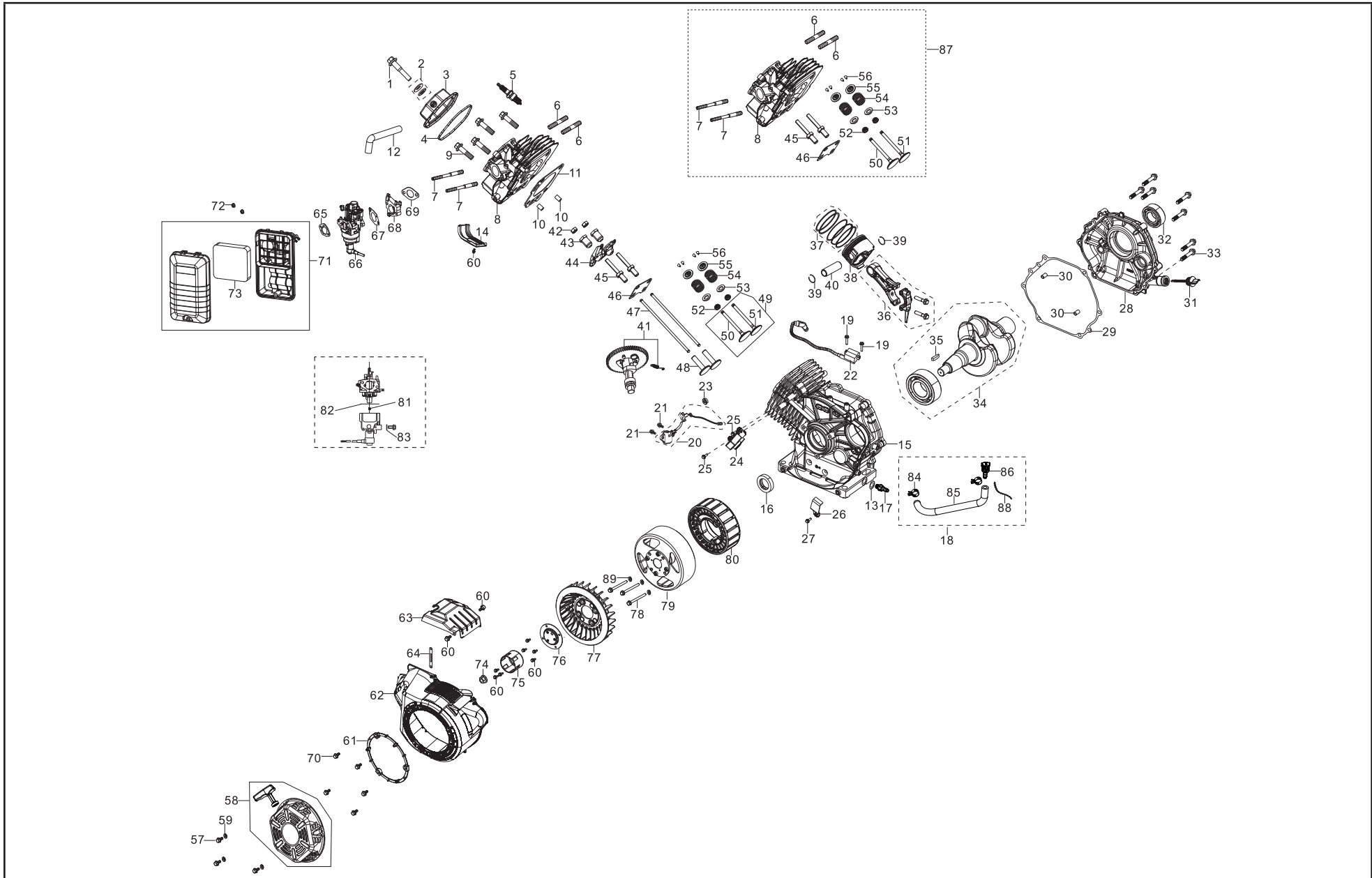
#	Part Number	Description	Qty.
1	18100-Y9X0310-H300	Muffler Assembly	1
2	18001-Z080110-00A0	Exhaust Outlet Gasket	2
3	90001-0816-03	Flange Bolt, M8 x 16, Black Zinc	4
4	90303-0800-33	Flange Nut, M8, Black Zinc	2
5	18013-Y9X0120-H300	Muffler Shield	1
6	90022-0612-03	Flange Bolt, M6 x 12, Black Zinc	3
7	18030-YA40110-H300	Muffler Bracket	1
8	90005-0816-03	Flange Bolt, M8 x 16	2
9	16620-Y9X0111-L400	Fuel Tank, 16L	1
10	16601-Y020120-0000	Fuel Tank Rubber Sleeve	4
11	90683-Y020110-0000	Bushing, Ø8.7 x 12.2, Blue White Zinc	4
12	90408-Y020110-0000	Flat Washer, Ø6, Black Zinc	4
13	90007-0625-A3	Flange Bolt, M6 x 25, Black Zinc	4
14	16744-Y730110-0000	Chain, Fuel Tank Cap	1
15	16730-Y020610-H700	Fuel Tank Cap	1
16	16652-Y020120-00A0	Fuel Filter	1
17	37200-Y2V0110-0000	Fuel Gauge	1
18	16750-YA40211-0000	Fuel Valve Assembly	1
19	90685-D080-0EAO	Clamp, Ø8	2
20	90686-Z080610-00M2	Fuel Tube, Ø4.5 x Ø8.5 x 195	1
21	90408-Y990210-0000	Flat Washer, Ø22 x 6.3 x 2	4
22	16658-Y730110-0000	Clip, Ø0.8 x Ø10, Chain	1
23	15150-Y1Z0110-0000	One Way Valve	1
24	16804-Y9X0310-0000	Connection Pipe, Ø4.5 x Ø8.5 x 800	1
25	90698-Y1Z0110-0000	Protective Rubber Sleeve, Ø8.5	1
26	16805-Y9X0110-0000	Connection Pipe, Air Cleaner, Ø4.5-6.5 x Ø8.5- 10.5 x 230	1
27	16801-Y9K0111-0000	Carbon Canister	1
28	30431-Y9X0110-0000	Rubber Sleeve, Ø9.5 x Ø11 x 300	1

#	Part Number	Description	Qty.
29	51100-YBE0111-H700	Frame Assembly, Ø25 x 1.2, 580 x 485 x 510	1
30	90306-1000-31A0	Flange Nut, M10 x 1.25, Blue White Zinc	8
31	90305-0800-31A0	Flange Nut, M8, Blue White Zinc	4
32	51002-YA40210-H700	Dead Plate 1, Engine, 330	1
33	51002-YA40310-H700	Dead Plate 2, Engine, 370	1
34	90002-1040-01A0	Flange Bolt, M10 x 1.25 x 40, Blue White Zinc	4
35	51005HY9X0110-0000	Vibration Mount, Frame	4
36	90001-0612-03	Flange Bolt, M6 x 12, Black Zinc	3
37	90001-0625-03	Flange Bolt, M6 x 25, Black Zinc	1
38	90415-0600-Z1	Lock Washer, Ø6, Toothed, Blue White Zinc	1
39	30009-YBE0110-0000	Grounding Wire	1
40	90305-0600-33	Flange Nut, M6, Black Zinc	3
41	90408-0600-E3	Flat Washer, Black Zinc	2
42	90403-0600-03	Flat Washer, Black Zinc	2
43	90312-0600-33	Wing Nut, M6, Black Zinc	1
44	17003-YA40110-0100	Air Cleaner Support	1
45	30081HYA40210-H700	Holder 1, Control Unit	1
46	30081HYA40110-H700	Holder 2, Control Unit	1
47	90001-0608-03	Flange Bolt, M6 x 8, Black Zinc	1
48	30431-Z010110-0000	Rubber Sleeve, Ø9.5 x Ø11 x 90	1
49	90314-0600-33	Wing Nut, M6, Black Zinc	1
50	35610-YBE0512-H300	Control Panel Subassembly	1
51	90007-0616-A3	Flange Bolt, M6 x 16, Black Zinc	4
52	90406-0600-E3	Washer, Ø6.4 x Ø18 x 1.6, Black Zinc	4
53	90001-0620-03	Flange Bolt, M6 x 20, Black Zinc	6
54	30043-YBE0111-0000	Inverter, 4.8Kw/240V/60Hz	1
55	90255-0510-53	Pan Head Screw And Washer Assembly, M5 x 10, Black Zinc	6
56	35680-Y9X0210-Q200	Control Box	1
57	54110-Y9X0310-H700	Handle, Ø28 x 1.2	1
58	54101-Y990110-0000	Handle Sheath, Ø28 x 150	1

#	Part Number	Description	Qty.
59	CMP-SBG-5500	Handle Assembly	1
60	90583-YGK0110-03A0	R Pin	1
61	90001-0630-03	Flange Bolt, M6 x 30, Black Zinc	4
62	54113HY9X0110-H700	Handle Tube Connecting Seat	1
63	90504-Y9X0110-0300	Pin Shaft, Ø8 x 45, Black Zinc	1
64	51008-Y2D0210-0000	Shock Absorption Pole	1
65	90501-Y2C0110-0300	Cotter Pin, Black Zinc	2
66	44020-Y9X0110-0300	Roll Pin, Ø16 x 98, Black Zinc	2
67	44110-Y9X0110-L400	8in. Wheel, Yellow	2
68	51016-Y9X0110-H700	Support Leg	1
69	51014HY9X0110-0000	Vibration Mount, Support Leg, 15 mm	2
70	90305-0800-33A0	Flange Nut, M8, Black Zinc	2
71	90684-Z010310-0000	Clip, 130 mm	2
72	31234-YBE0110	8Amp Circuit Breaker, Push Button	1
73	35160-Y0G0110-0000	Economy Switch	1
74	35619-Y110110	Automotive Receptacle, 12V DC	1
75	30700-YBE0110	Ignitor	1
76	35160-Y450110-0000	Switch, 16A/250V	1
77	16080-Y9K0110	Choke Cable Assembly	1
78	35632-Y9X0310	Intelligauge, VFT-3	1
79	35614-Y9X0110	GFCI 5-20R Receptacle	2
80	35654-YBE0110	Receptacle Cover, GFCI 5-20R	2
81	35614-Y090110	L14-30R Receptacle, 125V/250V/30A	1
82	35654-YBE0210	Receptacle Cover, L14-30R	1
83	31234-YBE0210	20Amp Circuit Breaker, Push Botton	2
84	35646-Y2V0110	Reset Button, AC250V/0.5A	1
85	R300MI000FB-CMP319	Engine, 301cc	1
86	93106HY020210-0000	Flexible Oil Funnel	1
87	35613-YBE0210-0000	USB Adapter	1
88	93041-YBE0110-0000	Battery Charger Cables, 2 m	1
89	90001-0610-03	Bolt M6 x 10, Black Zinc	2
90	35621-YBE0210-0000	Bridge Rectifiers	<u>1</u>

#	Part Number	Description	Qty.
91	90005-0510-01	Flange Bolt, M5 x 10, Blue White Zinc	2
92	18213-Z800310-0000	Plate, Spark Arrestor	1
93	18250-Y9X0110-0000	Spark Arrestor	1
94	90722-Y2D0110-0000	End Plug, Handle	1

# ENGINE PARTS DIAGRAM



## ENGINE PARTS LIST

#	Part Number	Description	Qty.
1	12032-Z080110-0101	Cylinder Head Cover Bolt Subassembly, Blue White Zinc	1
2	12034-Z080110-0091	Cylinder Head Cover Gasket Subassembly, Blue White Zinc	1
3	12410-Z580110-0100	Cylinder Head Cover Subassembly, Octagon, Blue White Zinc	1
4	12004-Z580110-0099	Cylinder Head Cover Gasket	1
5	30010-Z010110-0000	Spark Plug, F6RTC	1
6	90203-Z010110-0000	Stud, M8 x 34, Black Zinc	2
7	90204-Z0C0120-0301	Stud, M6/8 x 108, Black Zinc	2
8	12140-Z0C0210-0BA0	Cylinder Head Subassembly	1
9	12003-Z080110-0001	Cylinder Head Bolt, M10 x 80, Blue White Zinc	4
10	90502-1220-00A0	Pin, Ø12 x Ø20	2
11	12131-Z730210-0000	Cylinder Head Gasket	1
12	17004-Z080510-00A0	Breather Tube, Ø10.5 x Ø15 x 125	1
13	90412-Z080110-00A0	Flat Washer	1
14	19304-Z080110-0006	Cylinder Body Shroud, Blue White Zinc	1
15	11310-Z0C0310-0B09	Crankcase Subassembly	1
16	90682-Z080110-0000	Oil Seal, Ø30 x Ø46 x 8	1
17	90689-Z120110-0001	Connecting, Oil Drain Fuel Hose, Ø6.5 x Ø12, M12x1.5	1
18	11011HZ980110-L401	Oil Drain Fuel Hose, d=9.5, D=17, L=330, Black	1
19	90001-0520-0102	Hexagon Flange Bolt, M5 x 20, Blue White Zinc	2
20	37060-Z080120-0000	Oil Sensor	1
21	90001-0616-01A0	Hexagon Flange Bolt, M6 x 16, Blue White Zinc	2
22	30400-Z980110-0003	Ignition Coil	1
23	90305-Z010210-0101	Hexagon Flange Nut, M10 x 15, Blue White Zinc	1

#	Part Number	Description	Qty.
24	30130-Z980120-0000	Trigger	1
25	90001-0516-01A0	Hexagon Flange Bolt, M5 x 16, Blue White Zinc	2
26	30002-Z980111-0000	Magneto Wiring Clamp	1
27	90001-0510-01A0	Hexagon Flange Bolt, M5 x 10, Blue White Zinc	1
28	11411-Z0C0110-0BA1	Crankcase Cover Assembly	1
29	11001-Z580120-0000	Crankcase Gasket	1
30	90502-0912-00A0	Pin, Ø9 x Ø12	2
31	15010-Z080130-L401	Oil Dipstick Subassembly, 109C	1
32	90547-0206-00TM	Deep Groove Ball Bearing	1
33	90001-0835-0102	Hexagon Flange Bolt, M8 x 35, Blue White Zinc	7
34	13300-Z0C0110-RBTM	Crankshaft Assembly	1
35	90524-Z010110-0000	Woodruff Key	1
36	13010-Z730120-00A9	Connecting Rod	1
37	13200-Z730110-0099	Piston Rings Set	1
38	13111-Z730120-00A9	Piston	1
39	13122-Z730110-0099	Piston Pin Clip	2
40	13121-Z730110-0000	Piston Pin, Ø15 x 53	1
41	14200-Z730120-0099	Camshaft Assembly	1
42	14312-Z010110-0000	Valve Lock Nut	2
43	14314-Z010110-0000	Valve Adjusting Nut	2
44	14311-Z080110-0000	Valve Rocker	2
45	14313-Z010110-0000	Valve Adjusting Bolt	2
46	14090-Z080110-0000	Guide Plate Subassembly, Blue White Zinc	1
47	14070-Z730110-0000	Valve Rod	2
48	14081-Z580110-0000	Valve Lifter	2
49	12110-Z730110-00A9	Valve set	1
50	12111-Z730110-00A0	Inlet Valve	1
51	12121-Z730110-00A0	Exhaust valve	1
52	12101-Z020110-0000	Seal Guide	2
53	12105-Z080110-0000	Valve Spring Seat	2
54	12103-Z730110-0099	Valve Spring	2
55	12112-Z730110-0000	Valve Spring Retainer	2



#	Part Number	Description	Qty.
56	12109-Z730110-0000	Valve Collet	4
57	90001-0620-01	Hexagon Flange Bolt, M6 x 20, Blue White Zinc	3
58	28200-Z980410-H700	Recoil Starter Assembly	1
59	90408-0600-E1	Flat Washer, M6, Blue White Zinc	3
60	90001-0612-0101	Hexagon Flange Bolt, M6 x 12, Blue White Zinc	10
61	28261-Z980110-0000	Circlip, Rope	1
62	28110-Z0C0110-L400	Shroud	1
63	19305-Z0C0120-0001	Cylinder Body Shroud	1
64	90684-Z030120-0000	Clip, 100 mm	1
65	17001-Z080210-0000	Air Cleaner Gasket	1
66	16100-Z0C0211-00M0	Carburetor Assembly	1
67	16001-Z080110-0000	Carburetor Gasket	1
68	16003-Z0C0310-00A0	Carburetor Insulator Plate	1
69	17002-Z080110-0000	Inlet Gasket	1
70	90001-0612-03	Hexagon Flange Bolt, M6 x 12, Black Zinc	5
71	17100-Z101710-0001	Air Cleaner Subassembly	1
72	90305-0600-3101	Hexagon Flange Nut, M6, Blue White Zinc	2
73	17151-Z100810-0000	Element, Air Cleaner	1
74	13501-Z080110-00A0	Flywheel Nut, M16 x 1.5, Blue White Zinc	1
75	28002-Z980110-0000	Starter Pulley, Blue White Zinc	1
76	28020-Z150120-0000	Starter Pulley Base	1
77	19352-Z980110-0000	Impeller	1
78	90102-0660-06A0	Hexagon Socket Cap Screw, M6 x 60	3
79	30110-YBG0110-0000	Rotor Component, Ø210 x 69.5	1
80	30120-YBE0211-0000	Stator Component, Ø179 x 39	1
81	16161-Z153010-00A0	Main Jet, Standard	1
	16161-Z152810-00A0	Main Jet, Altitude 3000-6000 Feet	1
	16161-Z152610-00A0	Main Jet, Altitude 6000-8000 Feet	1
82	16112-Z0C0110-0000	Float Seal Ring	1
83	90681-Z010510-0000	Seal Ring	1
84	90685-Z120210-0000	Clamp	2
85	11011-Z980210-0000	Oil Drain Fuel Hose	1

#	Part Number	Description	Qty.
86	15031-Z980110-0000	Engine Oil Plug	1
87	300i-002	Cylinder Head Subassembly	1
88	90807-Z980110-0000	Anti Take-off Chain	1
89	90408-0600-E1A0	Flat Washer, Ø6	3



# WIRING DIAGRAM

