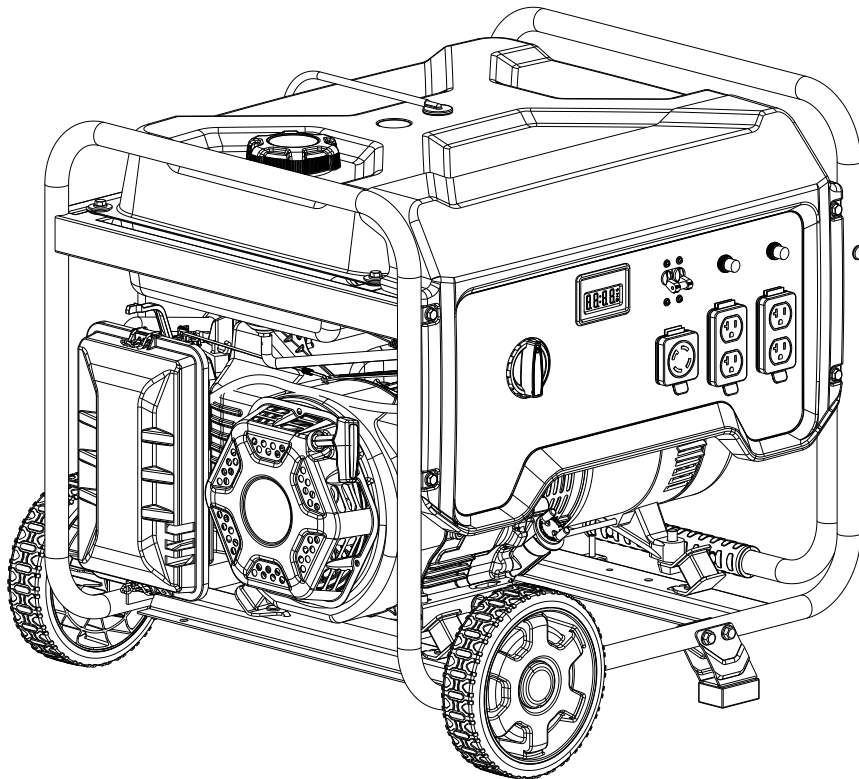




Champion Power Equipment, Inc., Santa Fe Springs, CA USA

**MODEL #201094**



## **PARTS INFORMATION**

**5500W PORTABLE GENERATOR**

**SERIAL NUMBER RANGE: ALL**



To order replacement parts please visit:  
**[shop.championpowerequipment.com](http://shop.championpowerequipment.com)**  
or call **1-877-338-0999**.

## **TABLE OF CONTENTS**

<b>Generator Parts Diagram</b> .....	<b>3</b>
<b>Generator Parts List</b> .....	<b>4</b>
<b>Engine Parts Diagram</b> .....	<b>5</b>
<b>Engine Parts Part List</b> .....	<b>6</b>
<b>Cylinder Head Part Diagram</b> .....	<b>8</b>
<b>Cylinder Head Part List</b> .....	<b>9</b>
<b>Alternator Part Diagram</b> .....	<b>10</b>
<b>Alternator Part List</b> .....	<b>11</b>
<b>Fuel Tank Part Diagram</b> .....	<b>12</b>
<b>Fuel Tank Part List</b> .....	<b>13</b>
<b>Control Panel Part Diagram</b> .....	<b>14</b>
<b>Control Panel Part List</b> .....	<b>15</b>
<b>Frame Part Diagram</b> .....	<b>16</b>
<b>Frame Part List</b> .....	<b>17</b>
<b>Wiring Diagram</b> .....	<b>18</b>

# GENERATOR PARTS DIAGRAM

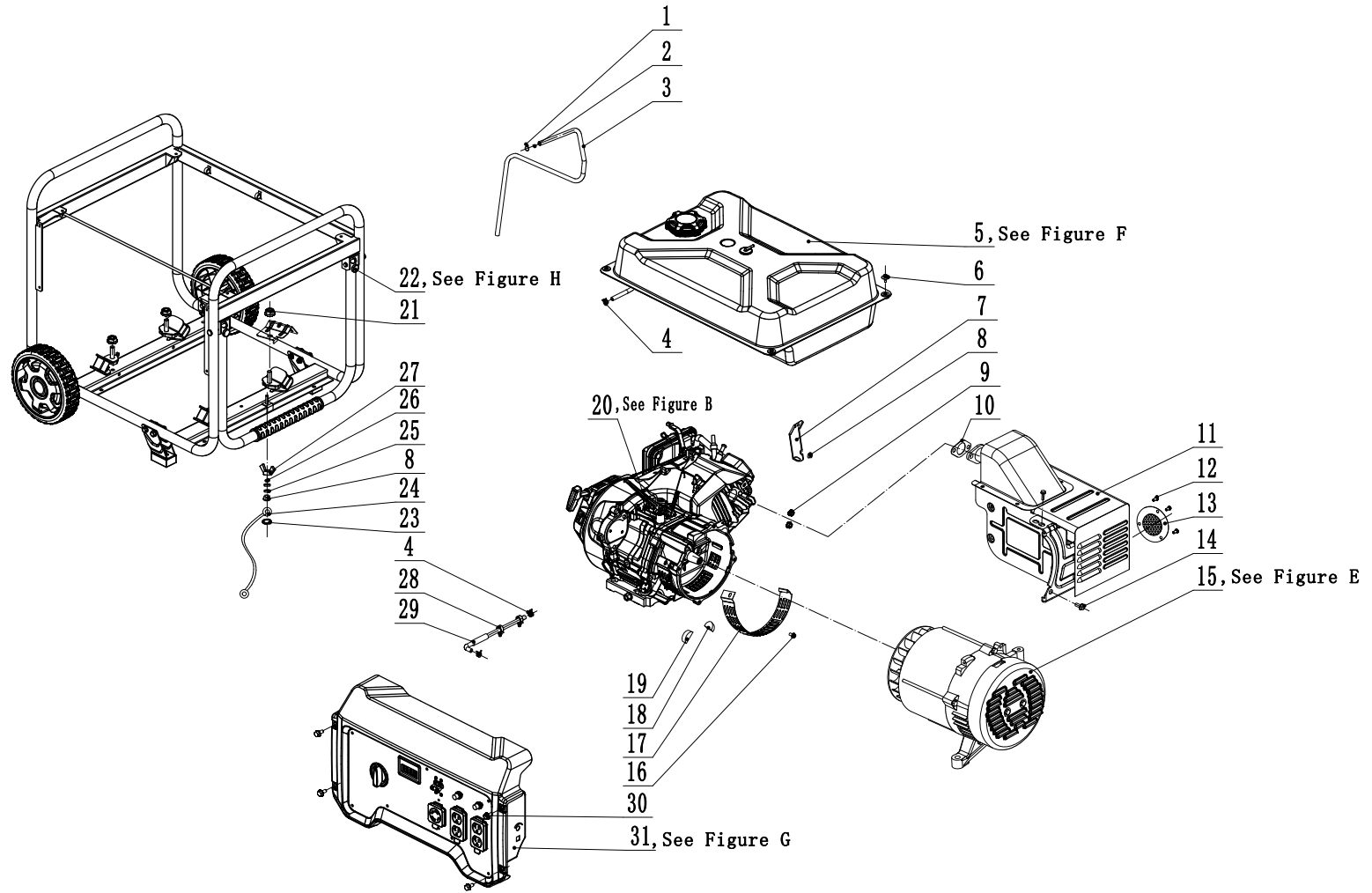


Figure A

**GENERATOR PARTS LIST**

#	Part Number	Description	Qty.
1	2.06.006	Clamp, Ø7 x Ø1	1
2	24.070030.00	Orifice, Breather Tube	1
3	152.070014.08	Tube, Reversal Valve	1
4	2.06.007	Clamp Ø8 x b6	3
5	152.070000.64.48	Fuel Tank Assembly, See Figure F	1
6	2.08.143.1	Flange Bolt/Washer Assembly M6 x 20, Black	4
7	45.090006.20	Bracket, Air Cleaner Support	1
8	1.6177.1.06	Lock Nut M6, Flange	2
9	1.6177.1.08	Lock Nut M8, Flange	2
10	46.100001.07	Gasket, Exhaust	1
11	46.101000.12.2	Muffler Assembly	1
12	1.9074.4.0510	Screw/Washer Assembly M5 x 10	3
13	46.101300.00	Spark Arrester	1
14	1.16674.0820.1	Flange Bolt M8 x 20, Black	2
15	151.190000.15	Alternator Assembly, See Figure E	1
16	1.5789.0608	Flange Bolt M6 x 8	1
17	152.192300.01	Vent, Alternator Fan	1
18	152.190005.00	Rubber, Fore-Cover, A	1
19	152.190005.01	Rubber, Fore-Cover, B	1
20	46.401	Engine Assembly, See Figure B	1
21	1.6177.1.10	Lock Nut M10, Flange	4
22	65309.201094	Frame Assembly, See Figure H	1
23	1.862.06	Lock Washer Ø6, Toothed	1
24	5.1900.029	Grounding Line 150 mm	1
25	1.97.1.06.2	Washer Ø6	2
26	1.93.06	Lock Washer Ø6	1
27	1.62.06	Butterfly Type Nut M6	1
28	2.05.009	Clamp Ø12.5 x 7	2
29	152.070011.29	Fuel Tube, Fuel Valve to Carburator, 430+20mm	1

#	Part Number	Description	Qty.
30	1.5789.0615.1	Flange Bolt M6 x 15, Black	4
31	201094.21	Control Panel Assembly, See Figure G	1

# ENGINE PARTS DIAGRAM

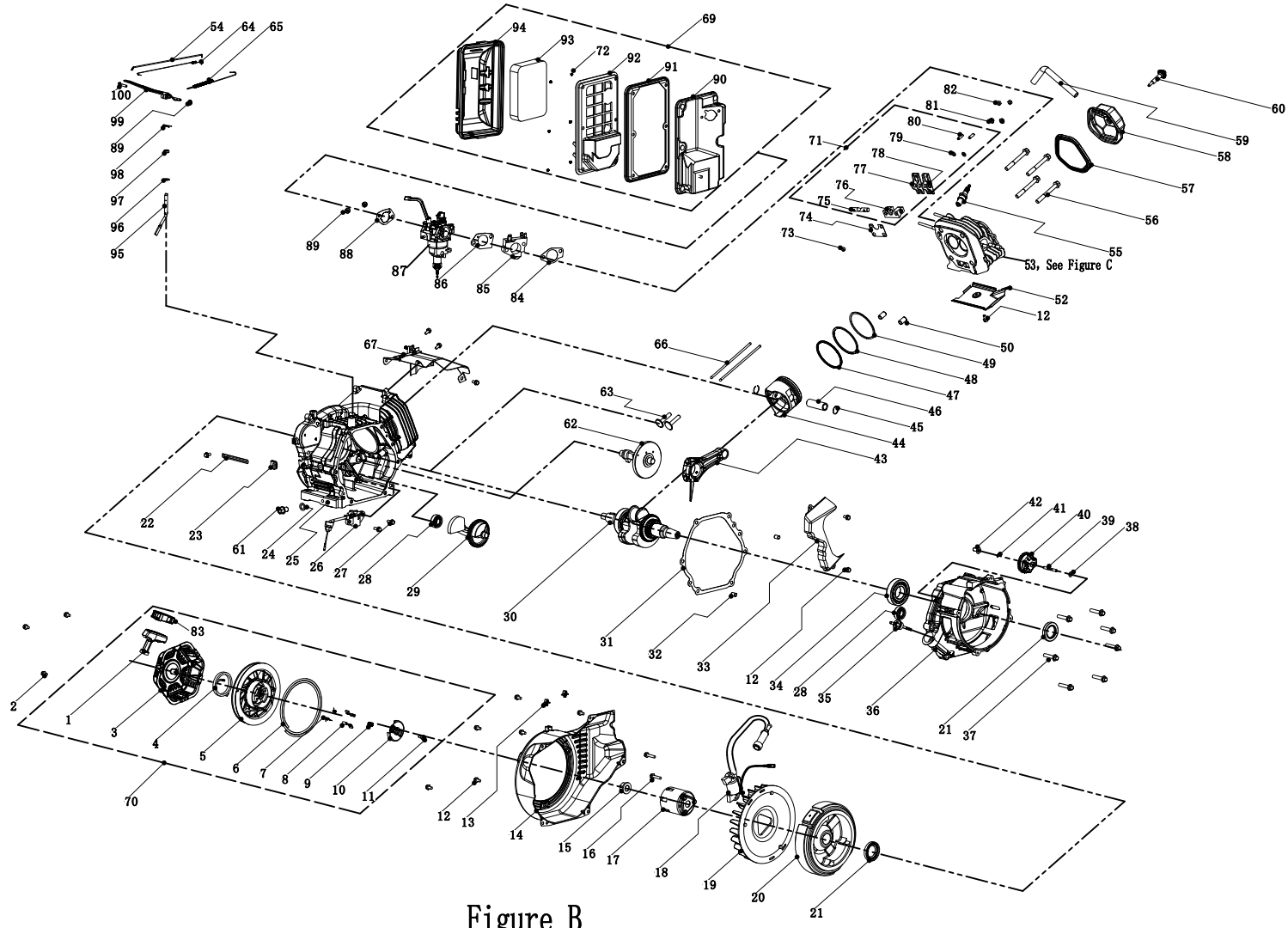


Figure B

**ENGINE PARTS PART LIST**

#	Part Number	Description	Qty.
1	21.061006.02	Handle, Recoil, Soft	1
2	1.16674.0608	Flange Bolt M6 x 8	3
3	46.061100.03.2	Cover, Recoil Starter, Black	1
4	45.060005.00	Spring, Recoil Starter	1
5	45.061102.00	Reel, Recoil Starter	1
6	2.10.003.1	Rope Ø4 x 1550, Black	1
7	45.060003.00	Spring, Ratchet	2
8	45.060002.00	Starter Ratchet, Steel	2
9	45.060009.00	Spring, Ratchet Guide	1
10	45.060007.00	Ratchet Guide	1
11	45.060008.00	Screw, Ratchet Guide	1
12	1.5789.0612	Flange Bolt M6 x 12	12
13	2.05.005	Clamp Ø6	2
14	47.080100.01.48	Fan Cover, Yellow	1
15	2.02.007	Nut M16 x 1.5	1
16	1.5789.0629	Flange Bolt M6 x 29	2
17	45.060001.00	Pulley, Starter	1
18	46.123000.01	Ignition Coil	1
19	45.080001.00	Cooling Fan	1
20	46.120100.06	Flywheel	1
21	2.11.007	Oil Seal Ø35 x Ø52 x 8	2
22	2.05.050	Wire Clip, 100 mm	1
23	152.070031.01	Sheath, Wire	1
24	2.03.023	Washer Ø12.5 x Ø20 x 2, Drain Bolt	1
25	46.030100.04.1	Crankcase	1
26	45.127000.02	Oil Level Sensor	1
27	1.5789.0615	Flange Bolt M6 x 15	2
28	1.276.6202	Bearing 6202	2
29	47.050006.00	Weight Balancer	1
30	45.050100.14	Crankshaft	1

#	Part Number	Description	Qty.
31	46.030008.00	Gasket, Crankcase Cover	1
32	2.04.001	Dowel Pin Ø9 x 14	2
33	46.080600.00	Air Guide, Right Side	1
34	1.276.6207	Bearing 6207	1
35	46.031000.01.48	Oil Dipstick Assembly, Yellow	1
36	45.030007.00	Cover, Crankcase	1
37	1.5789.0840	Flange Bolt M8 x 40	7
38	2.03.021.1	Washer Ø6.4 x Ø13 x 1, Black	1
39	45.110013.00	Shaft, Governor Gear	1
40	45.110100.00	Gear, Governor	1
41	21.110011.00	Clip, Governor Gear	1
42	45.110012.00	Bushing, Governor Gear	1
43	47.050200.00	Connecting Rod	1
44	46.050005.00	Piston	1
45	2.09.004	Circlip Ø21 x Ø1	2
46	45.050003.00	Pin, Piston	1
47	46.050303.00	Ring, Oil	1
48	46.050302.00	Ring, Second Piston	1
49	46.050301.00	Ring, First Piston	1
50	2.04.004	Dowel Pin Ø12 x 20	2
51	46.080400.00	Air Guide, Lower	1
52	46.010000.00	Cylinder Head Assembly, See Figure C	1
53	45.110006.00	Rod, Governor	1
54	2.15.002(F6RTC)	Spark Plug F6RTC	1
55	2.08.014	Flange Bolt M10 x 80	4
56	46.020002.00	Gasket, Cylinder Head Cover	1
57	46.021000.00	Cover, Cylinder Head	1
58	45.020001.02	Breather Tube	1
59	45.020100.00	Bolt, Cylinder Head Cover	1
60	2.08.039	Drain Bolt M12 x 1.5 x 15	1

#	Part Number	Description	Qty.
61	46.041000.00	Camshaft	1
62	45.040013.00	Lifter, Valve	2
63	45.110005.00	Spring, Throttle Return	1
64	45.110007.00	Spring, Governor	1
65	46.040005.00	Push Rod	2
66	46.080300.20	Air Guide, Upper	1
67	45.040017.00	Oil Seal, Valve	2
68	46.091000.11	Air Cleaner Assembly	1
69	46.061000.03.2	Recoil Assembly	1
70	46.040200.00	Rocker Arm Assembly	1
71	1.6177.1.05	Flange Nut M5	6
72	45.040008.00	Rotator, Exhaust Valve	1
73	46.040004.00	Guide Plate, Push Rod	1
74	46.040016.00	Shaft, Rocker Arm	1
75	46.040201.00	Retainer, Rocker Arm	1
76	46.040009.00	Rocker Arm, Intake Valve	1
77	46.040018.00	Rocker Arm, Exhaust Valve	1
78	1.97.1.06	Washer Ø6	2
79	22.040012.00	Screw, Valve Adjustment	2
80	1.6177.1.06	Flange Nut M6	2
81	21.040021.00	Nut M6 x 0.5, Lock	2
82	21.061301.01.48	Support, Handle, Recoil	1
83	46.130002.20	Gasket, Insulator	1
84	45.130001.00	Insulator, Carburetor	1
85	46.130003.20	Gasket, Carburetor	1
86	46.131000.20	Carburetor Assembly	1
87	46.130004.20	Gasket, Air Cleaner	1
88	1.6177.06	Flange Nut M6	3
89	46.091100.09	Base, Air Cleaner	1
90	45.091002.20	Seal, Air Cleaner	1
91	45.091001.20	Separator, Air Cleaner	1
92	45.091003.20	Element, Air Cleaner	1

#	Part Number	Description	Qty.
93	46.091200.11	Cover, Air Cleaner	1
94	45.110001.00	Shaft, Governor Arm	1
95	2.03.019	Washer Ø8.2 x Ø17 x 0.8	1
96	2.11.006	Oil Seal Ø7 x Ø14 x 5	1
97	45.110008.00	Pin, Shaft	1
98	45.110003.00	Arm, Governor	1
99	2.08.040	Bolt M6 x 21, Governor Arm	1

## CYLINDER HEAD PART DIAGRAM

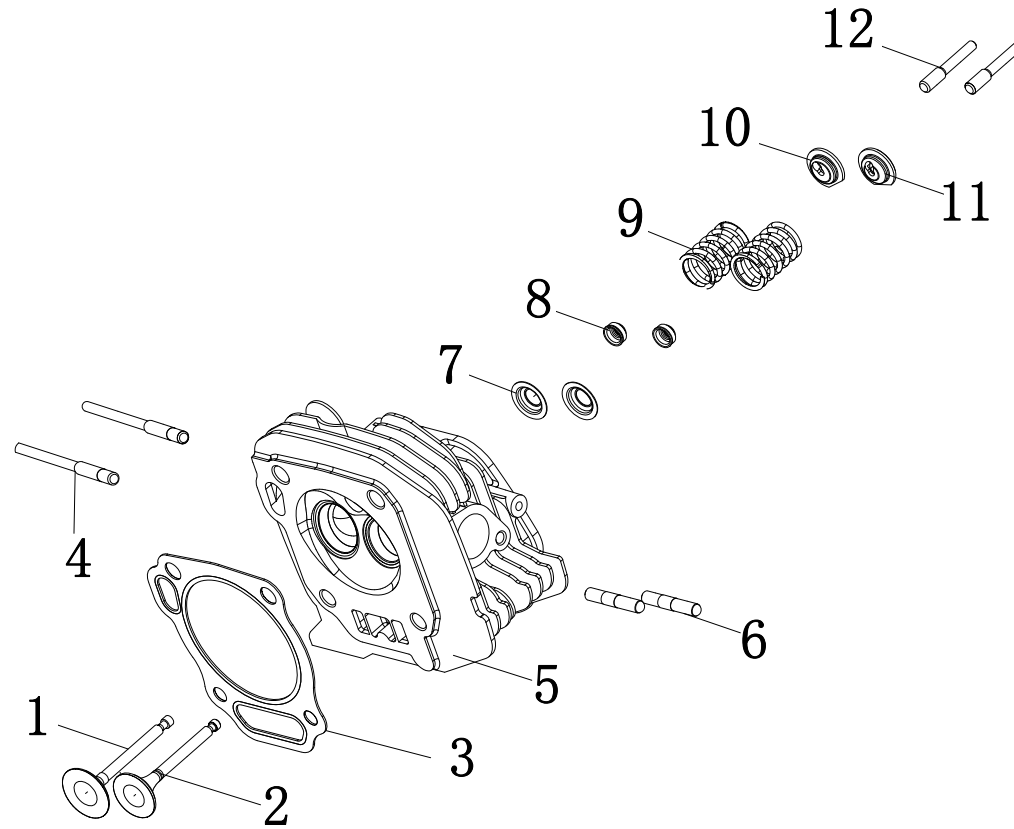


Figure C



**CYLINDER HEAD PART LIST**

#	Part Number	Description	Qty.
1	45.040002.00	Valve, Intake	1
2	45.040006.00	Valve, Exhaust	1
3	46.030009.01	Gasket, Cylinder Head	1
4	2.01.008	Stud Bolt M6 x M8 x 105	2
5	46.010100.00	Cylinder Head	1
6	2.01.010	Stud Bolt M8 x 35	2
7	45.040015.00	Retainer, Valve Spring	2
8	45.040017.00	Oil Seal, Valve	2
9	45.040003.00	Spring, Valve	2
10	45.040001.00	Retainer, Intake Valve Spring	1
11	45.040007.00	Retainer, Exhaust Valve Spring	1
12	23.040010.00	Bolt, Rocker Arm	2

# ALTERNATOR PART DIAGRAM

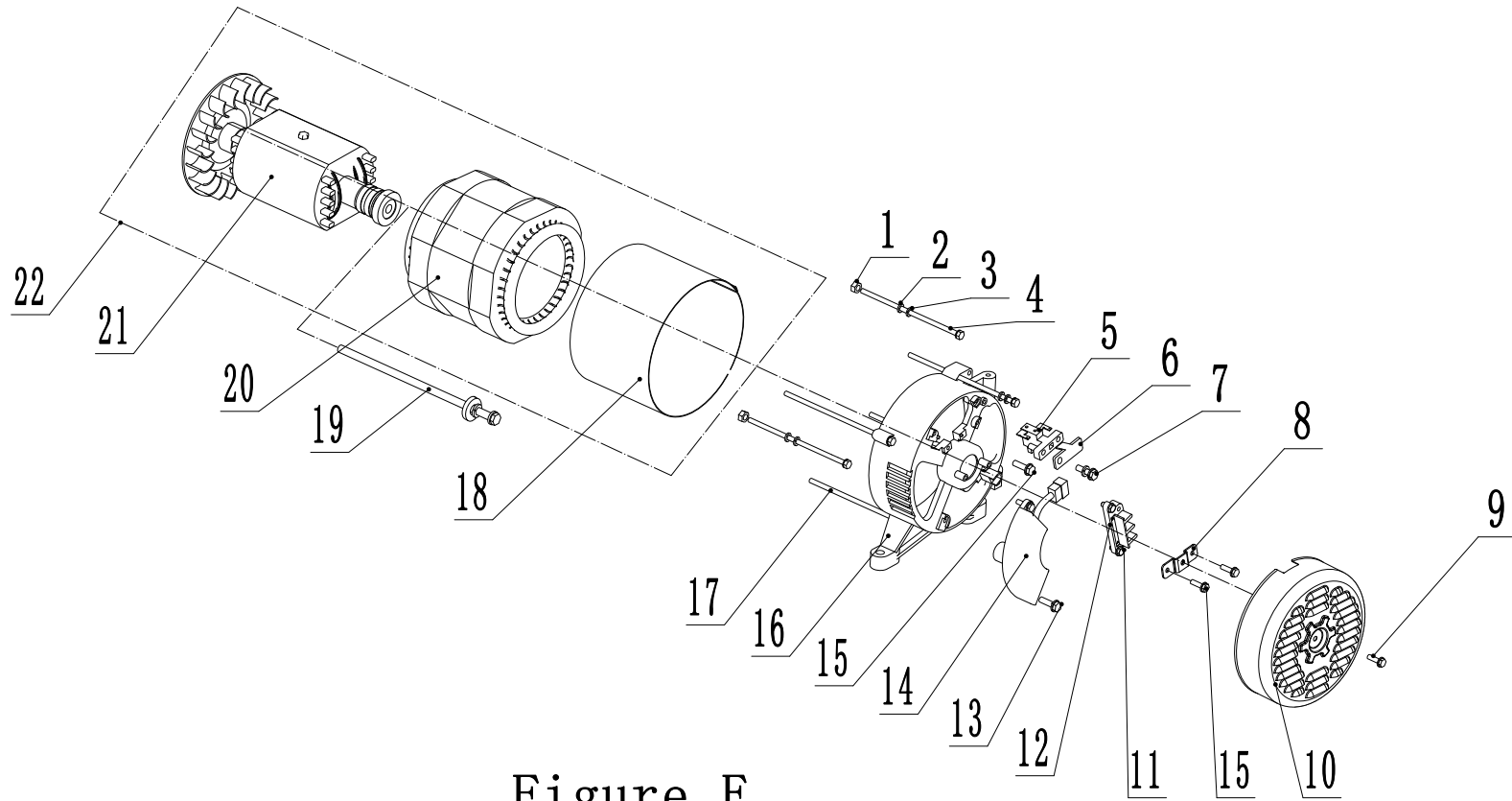


Figure E

**ALTERNATOR PART LIST**

#	Part Number	Description	Qty.
1	1.6175.05	Nut M5	2
2	1.97.1.05	Washer Ø5	2
3	1.93.05	Lock Washer Ø5	2
4	2.08.097	Bolt M5 x 184	2
5	152.190300.00	Carbon Brush Assembly	1
6	122.190004.01	Pinch, Carbon Brush	1
7	1.9074.15.0520	Bolt/Washer Assembly M5 x 20	1
8	122.190018.03	Bracket, End Housing Cover	1
9	2.08.068.1	Flange Bolt M5 x 13, Black	1
10	152.190003.02.48	Cover, End Housing, Yellow	1
11	1.9074.17.0516	Screw/Washer Assembly M5 x 16	2
12	122.190400.02	Terminal Block	1
13	1.16674.0516	Flange Bolt M5 x 16	2
14	153.190200.03	AVR	1
15	1.16674.0512	Flange Bolt M5 x 12	3
16	152.190002.00	End Housing	1
17	2.08.096	Flange Bolt/Washer Assembly M6 x 149	4
18	151.191002.15	Stator Cover	1
19	2.08.095	Flange Bolt/Washer Assembly M10 x 235	1
20	151.191200.15	Stator Assembly, Al, Ø190 x 110 mm	1
21	151.191100.15	Rotor Assembly, Al, Ø190x 110 mm	1
22	151.191000.15	Alternator, Al, Ø190 x 110 mm	1

# FUEL TANK PART DIAGRAM

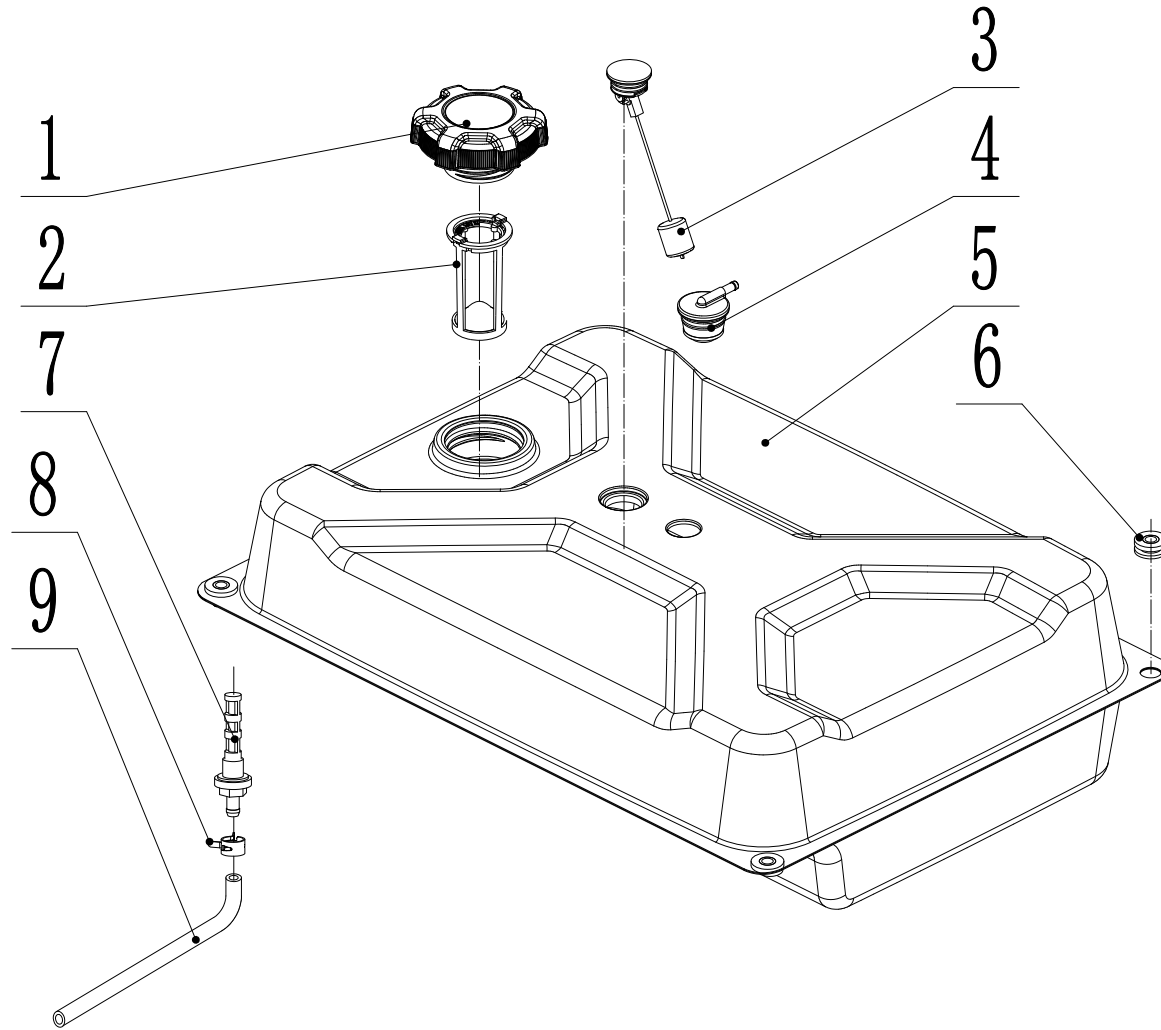


Figure F

**FUEL TANK PART LIST**

#	Part Number	Description	Qty.
1	122.070100.09	Fuel Tank Cap	1
2	122.070300.03	Fuel Filter	1
3	152.072000.06	Fuel Gauge	1
4	24.070800.00	Valve, Reversal	1
5	152.071000.64.48	Fuel Tank, 29.1L, Yellow	1
6	122.070015.01	Mount Vibration, Fuel Tank	4
7	21.070600.03	Fitting, Fuel Tank	1
8	2.06.016	Clamp Ø8.7 x b8	1
9	152.070011.30	Fuel Tube 245+32 mm, Fuel Tank to Fuel Valve	1

# CONTROL PANEL PART DIAGRAM

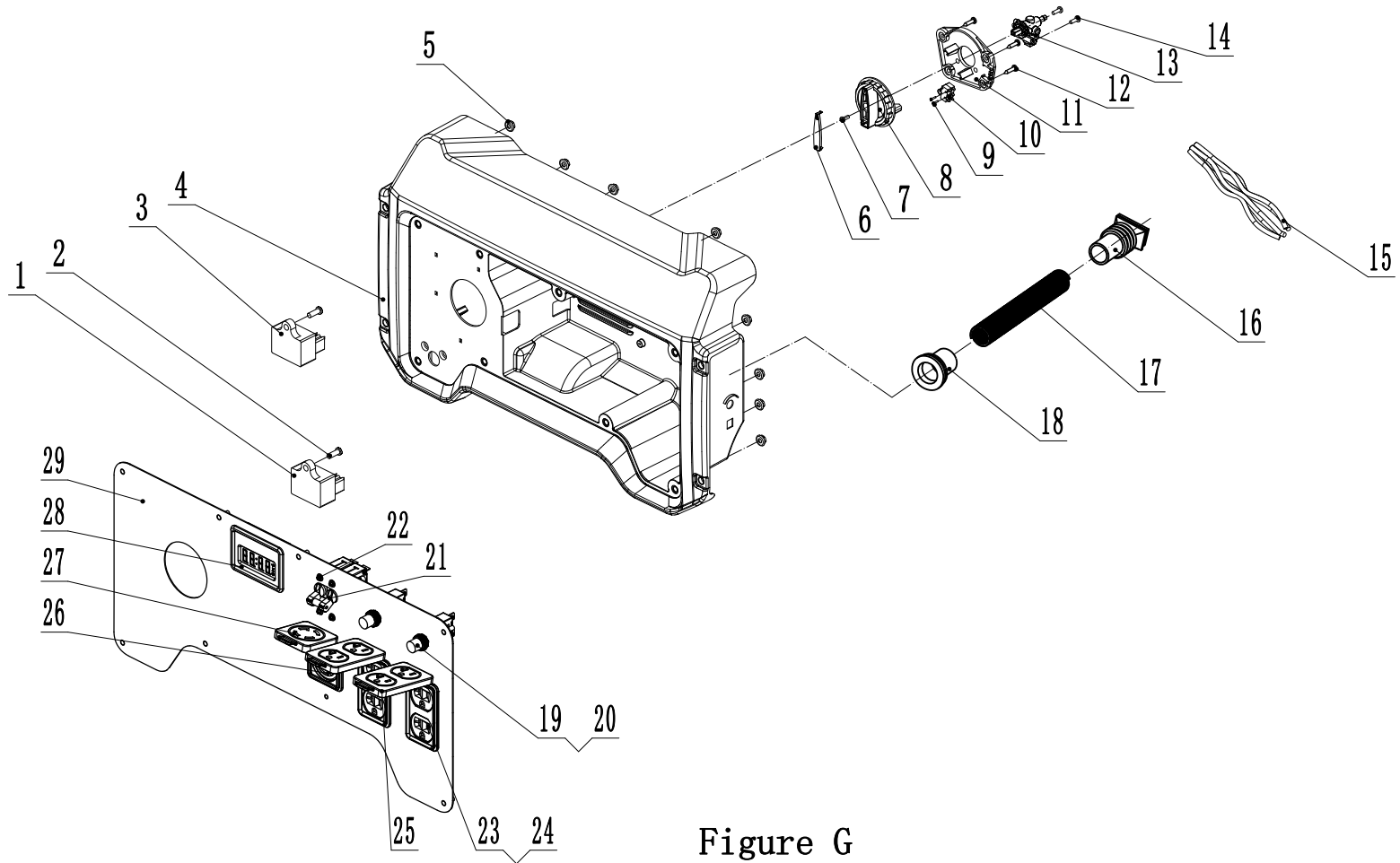


Figure G

**CONTROL PANEL PART LIST**

#	Part Number	Description	Qty.
1	5.1810.000	OVP Module	1
2	1.818.0514.2	Screw M5 x 14	2
3	5.1800.000	Rectifier	1
4	152.210002.63	Control Panel Housing	1
5	1.6177.1.05	Lock Nut M5, Flange, Black	8
6	62.139002.00.48	Cover, Fuel Dial, Yellow	1
7	1.9074.4.0414.1	Screw/Washer Assembly M4 x 14, Black	1
8	122.139001.01	Fuel Dial	1
9	1.845.0.02216	Screw, ST2.2 x 16	2
10	5.1050.006	Microswitch, 2-Pole	1
11	122.139004.01	Plate, Fuel Valve Mounting	1
12	1.845.4816	Screw, ST4.8 x 16	4
13	62.070400.00	Fuel Valve	1
14	1.818.0410	Screw M4 x 10	2
15	201094.21.10	Wire Assembly	1
16	152.210003.03	Plug, Control Box	1
17	5.1320.024	Sheath, Wire	1
18	152.210003.01	Wire Jacket, Control Panel Housing	1
19	5.1210.920	20Amp Circuit Breaker, Push Button, CSA	2
20	5.1870.014	Cover, Push Button Circuit Breaker	2
21	5.1240.923	23Amp Circuit Breaker, Double Pole, CSA	1
22	1.9074.4.0306.1	Screw/Washer Assembly M3 x 6, Black	4
23	5.1120.027	Receptacle 5-20R, CSA	2
24	1.6177.1.04.1	Lock Nut M4, Flange, Black	6
25	5.1870.025	Cover, Receptacle 5-20R	2
26	5.1120.026	Receptacle, L14-30R, CSA	1
27	5.1870.020	Cover, Receptacle L14-30R	1
28	5.1470.005	Intelligauge, INT1BOF	1
29	152.25.5.2	Control Panel	1

# FRAME PART DIAGRAM

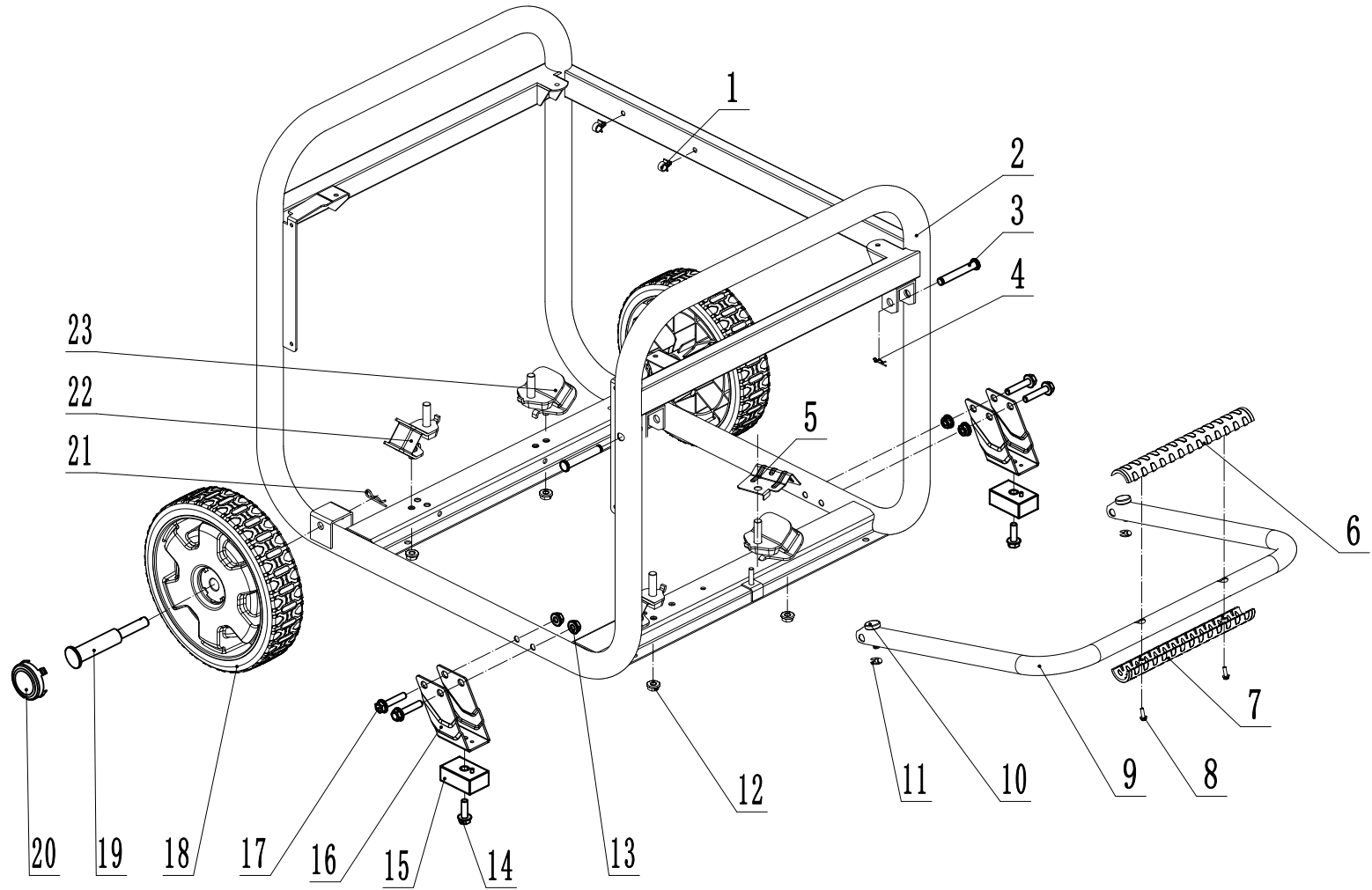


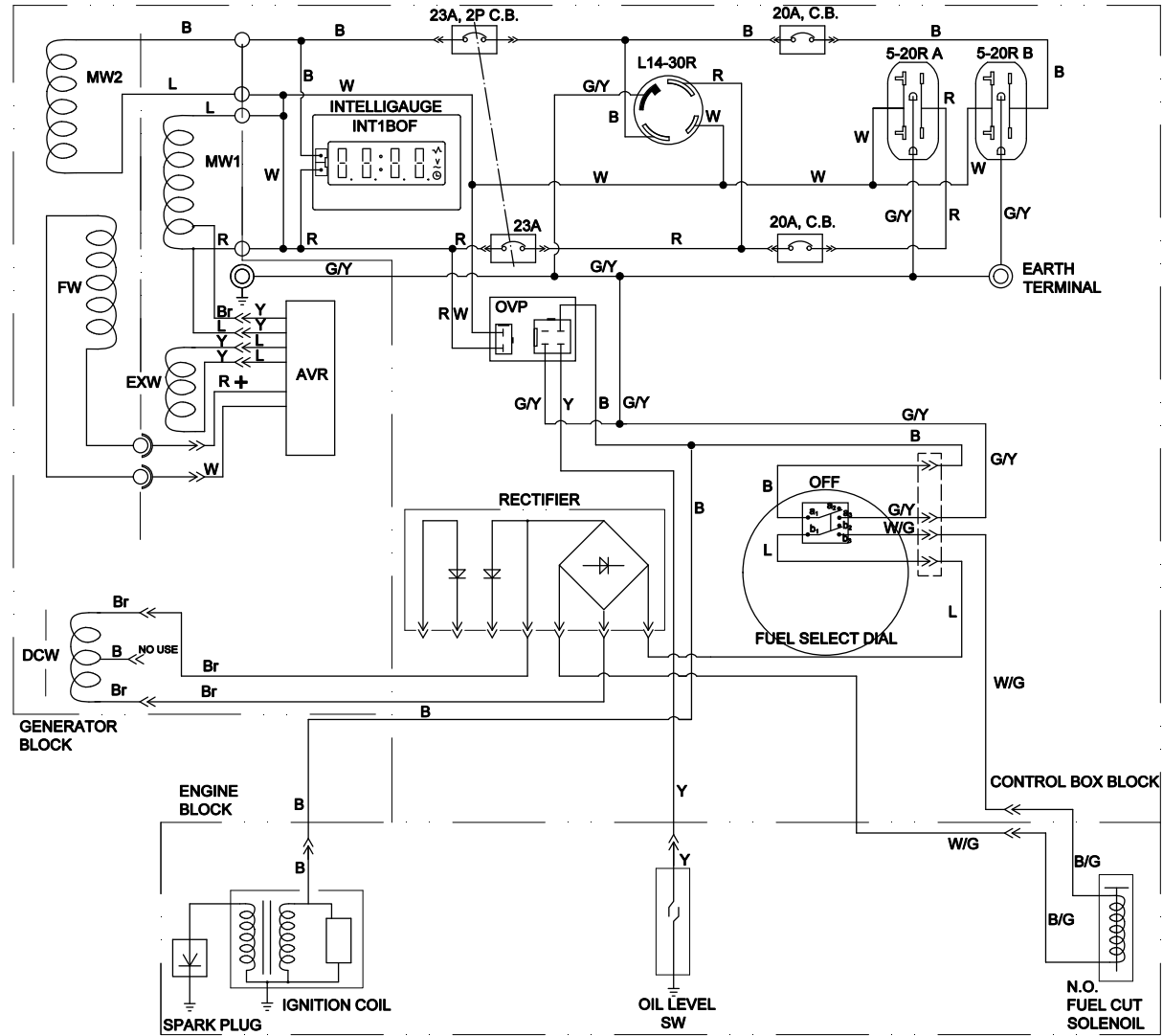
Figure H



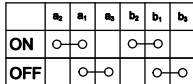
**FRAME PART LIST**

#	Part Number	Description	Qty.
1	2.05.001	Clamp, Ø8 x 6.5	2
2	65309.0.8.2	Frame, 680 x 556 x 567	1
3	152.200703.05	Long Pin, Handle	2
4	11.110008.00	Pin Ø1.6 x 24, "R" Shape , Black	2
5	152.100007.00	Heat Shield, Motor Mount	1
6	122.200702.14.48	Cover, Handle, Lower, Yellow	1
7	122.200702.13.48	Cover, Handle, Upper, Yellow	1
8	1.9074.4.0414.1	Screw/Washer Assembly M4 x 14, Black	2
9	152.200701.22.2	Handle, U Shape, Black	1
10	152.200703.02	Short Pin, Handle	2
11	1.894.1.08	Circlip Ø8	2
12	1.6177.1.08	Lock Nut M8, Flange	4
13	1.6177.1.08.1	Lock Nut M8, Flange , Black	6
14	1.5789.0825.1	Flange Bolt M8 x 25, Black	2
15	122.201400.04	Rubber, Support, 55 x 36 x 22	2
16	152.200002.16.2	Support Leg, 68 mm, Black	2
17	1.5789.0840.1	Flange Bolt M8 x 40, Black	4
18	122.201701.11.48	8 in. Wheel, PU, Yellow	2
19	122.201501.23.1	Pin Roll, Wheel, Ø16 x Ø10 x 97, Black	2
20	122.201702.11.48	Wheel Cover, Tooth Profile 8-10 in, Yellow	2
21	2.16.001.1	Pin Ø2 x 33, "R" Shape , Black	2
22	152.201200.03	Motor Mount 1	2
23	152.201200.04	Motor Mount 2	2

# WIRING DIAGRAM



FUEL SELECT DIAL



B	BLACK	Br	BROWN
Y	YELLOW	B/W	BLACK WHITE
L	BLUE	W/G	WHITE GREEN
G	GREEN	G/Y	GREEN YELLOW
R	RED	W/L	WHITE BLUE
W	WHITE	B/G	BLACK GREEN
O	ORANGE		