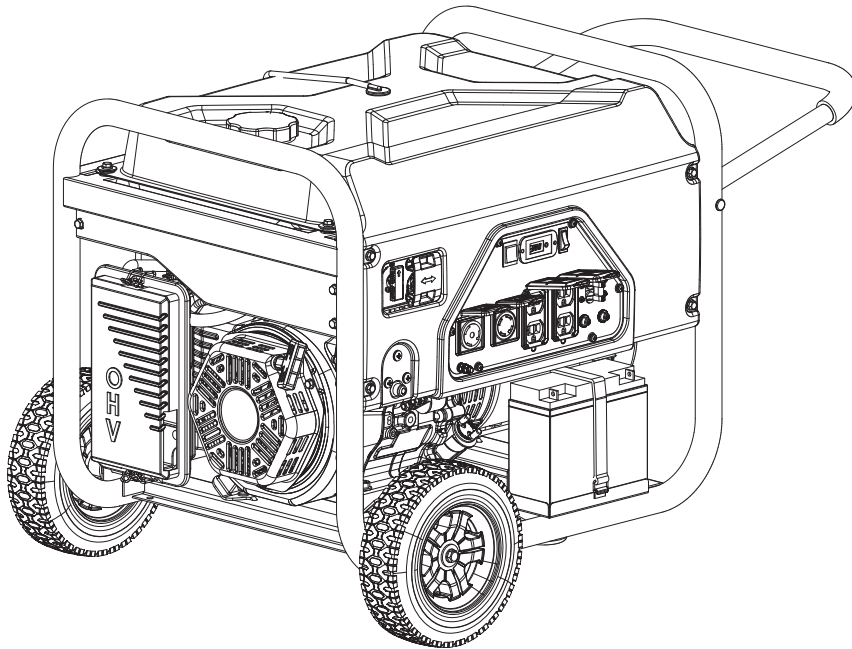




Champion Power Equipment, Inc., Santa Fe Springs, CA USA

**MODEL #100230**



## **PARTS INFORMATION**

**7500W DUAL FUEL ELECTRIC START GENERATOR**

**SERIAL NUMBER RANGE: ALL**

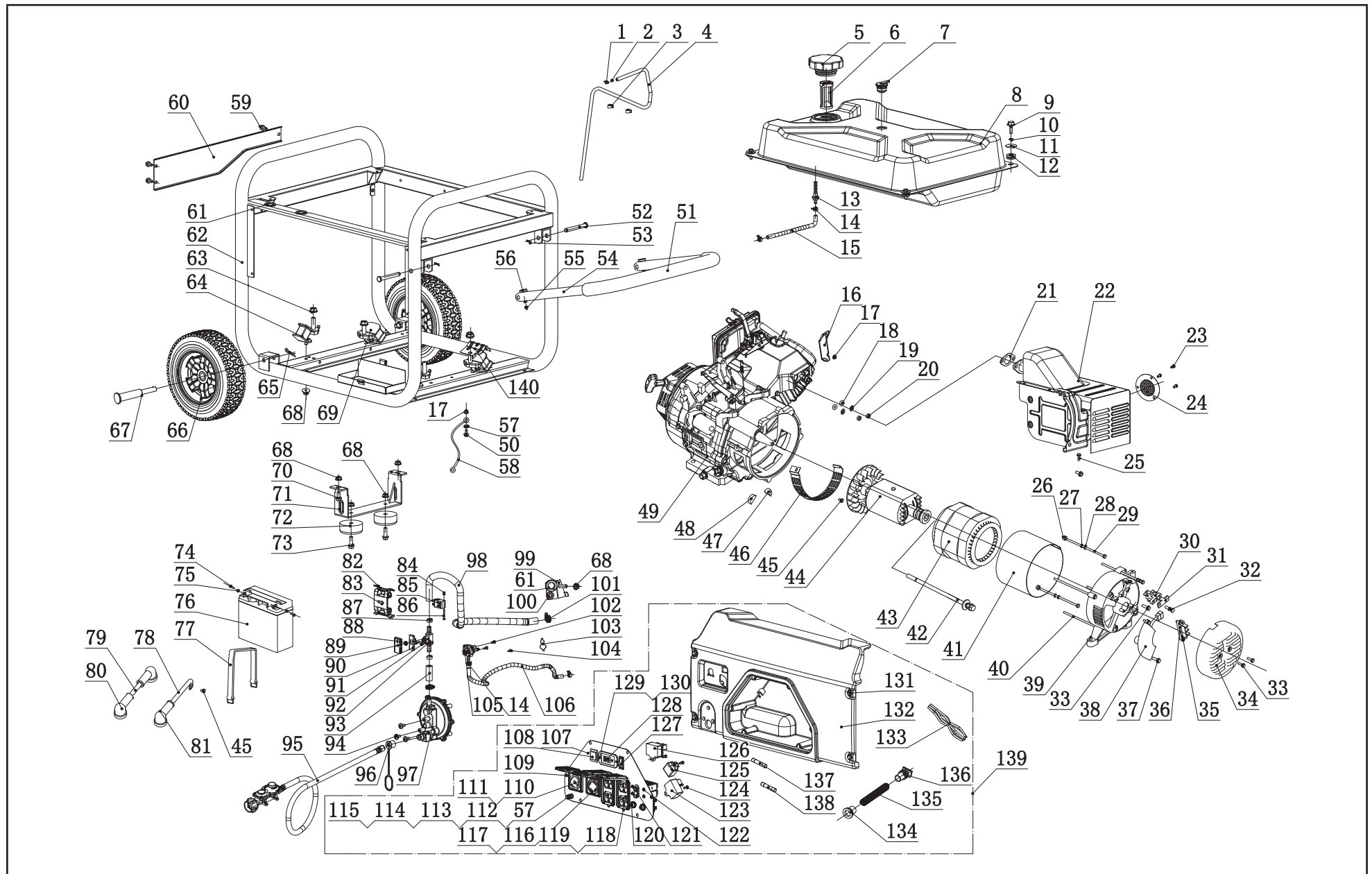


To order replacement parts please visit:  
**[shop.championpowerequipment.com](http://shop.championpowerequipment.com)**  
or call **1-877-338-0999**.

## **TABLE OF CONTENTS**

<b>Generator Parts Diagram .....</b>	<b>3</b>
<b>Generator Parts List.....</b>	<b>4</b>
<b>Engine Parts Diagram .....</b>	<b>7</b>
<b>Engine Parts List.....</b>	<b>8</b>
<b>Wiring Diagram .....</b>	<b>10</b>

# GENERATOR PARTS DIAGRAM



## GENERATOR PARTS LIST

#	Part Number	Description	Qty
1	2.06.006	Clamp Ø7 × Ø1	1
2	24.070030.00	Hole, Breather Tube	1
3	2.05.001	Clamp Ø8 × 6.5	2
4	152.070014.06	Pipe 730 mm, Reversal Valve	1
5	122.070100.07	Fuel Tank Cap	1
6	122.070300.03	Fuel Filter	1
7	24.070800.00	Reversal Valve	1
8	152.071000.31.48	Fuel Tank, 22.9L, Yellow	1
9	1.5789.0620.1	Flange Bolt M6 × 20, Black	4
10	1.93.06	Lock Washer Ø6	4
11	2.03.004.1	Flat Washer, Ø24 × Ø6.5 × 1.5, Black	4
12	122.070015.01	Mount Vibration, Fuel Tank	4
13	21.070600.03	Fitting, Fuel Tank	1
14	2.06.016	Clamp Ø8.7 × b8	4
15	152.070011.08	Fuel Pipe, 265 mm	1
16	45.090006.20	Holder, Air Cleaner	1
17	1.6177.1.06	Lock Nut M6, Flange	2
18	1.848.08	Washer Ø8	2
19	1.93.08	Lock Washer Ø8	2
20	1.6175.08	Nut M8	2
21	46.100001.07	Gasket, Exhaust	1
22	46.101000.01.2	Muffler Assembly	1
23	1.9074.4.0510	Screw/Washer Assembly M5 × 10	3
24	46.101300.00	Spark Arrester Assembly	1
25	1.16674.0820	Flange Bolt M8 × 20	2
26	1.6175.05	Nut M5	2
27	1.97.1.05	Washer Ø5	2
28	1.93.05	Lock Washer Ø5	2
29	2.08.071	Bolt M5 × 229	2
30	152.190300.00	Carbon Brush Assembly	1

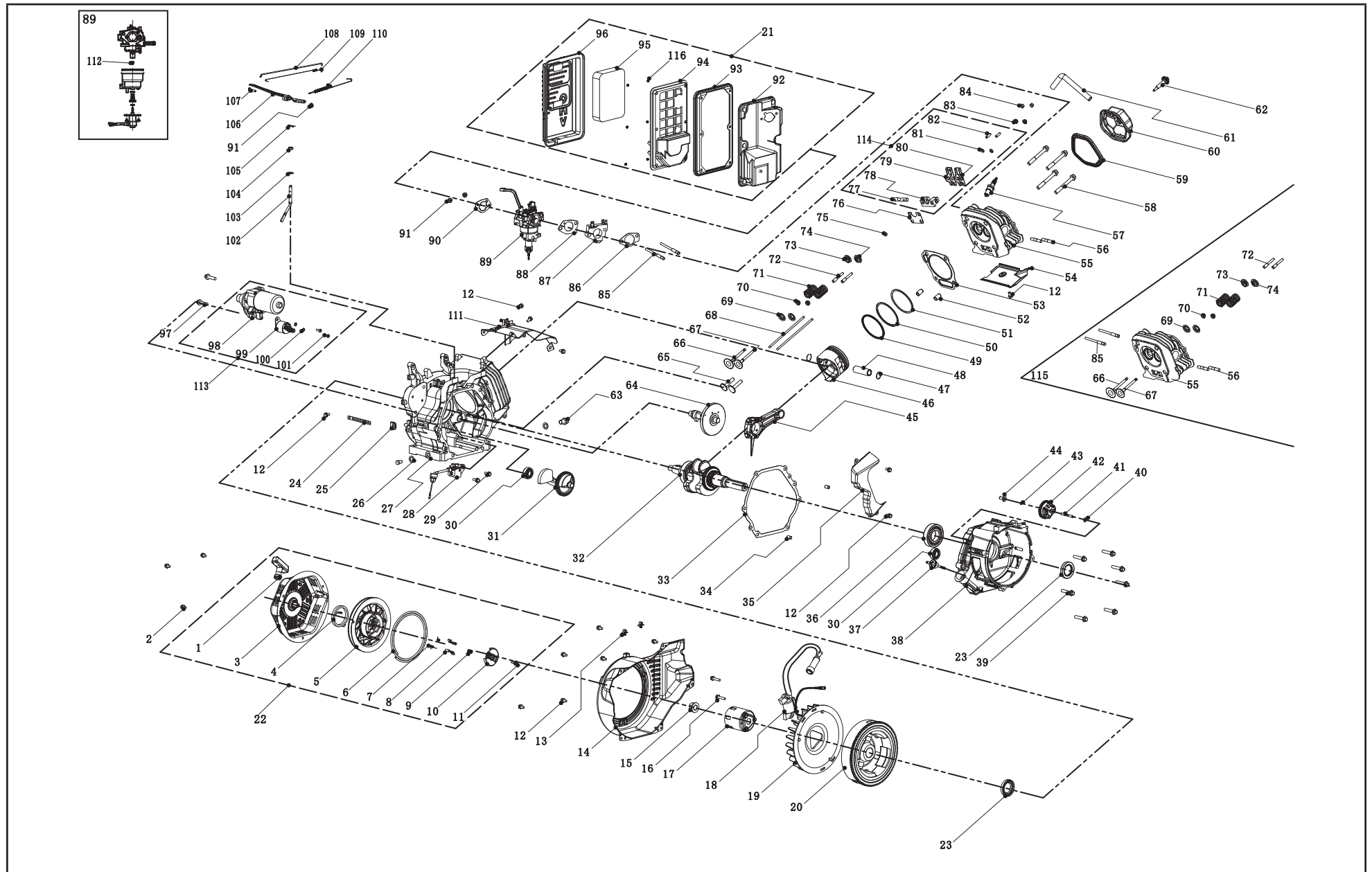
#	Part Number	Description	Qty
31	122.190004.01	Pinch, Carbon Brush	1
32	1.9074.15.0520	Bolt/Washer Assembly M5 × 20	1
33	1.16674.0512.2	Flange Bolt M5 × 12	3
34	152.190003.00.48	End Cover, Generator, Yellow	1
35	1.9074.17.0516	Screw/Washer Assembly M5 × 16	2
36	122.190400.00	Terminal Block	1
37	1.16674.0516	Flange Bolt M5 × 16	2
38	153.190200.04	AVR	1
39	152.190002.00	End Housing	1
40	2.08.069	Flange Bolt/Washer Assembly M6 × 194	4
41	153.191002.00	Cover, Stator	1
42	2.08.070	Flange Bolt/Washer Assembly M10 × 280	1
43	153.191200.18	Stator Assembly, Al, 158 × 190 mm	1
44	153.191100.18	Rotor Assembly, Al, 158 × 190 mm	1
45	1.5789.0608	Flange Bolt M6 × 8	2
46	152.192300.01	Air Guide	1
47	152.190005.00	Plug A, Fore-Cover	1
48	152.190005.01	Plug B, Fore-Cover	1
49	47.693	Engine, 439cc	1
50	1.5789.0612	Flange Bolt M6 × 12	1
51	152.200702.02	Cover, Handle	1
52	152.200703.03	Long Pin, Handle	2
53	11.110008.00	"R" Shape	2
54	152.200701.14	Handle, U Style	1
55	1.894.1.08	Circlip Ø8	2
56	152.200703.02	Short Pin, Handle	2
57	1.862.06	Lock Washer Ø6, Toothed	2
58	5.1900.029	Grounding Line 150 mm	1
59	1.5789.0612.1	Flange Bolt M6 × 12, Black	3
60	152.200800.09.2	Decorative Plate	1

#	Part Number	Description	Qty
61	152.070031.00	Jacket, LPG Hose	3
62	65250.0.10.2	Frame, 700 × 566 × 585	1
63	1.6177.1.10	Lock Nut M10, Flange	4
64	152.201200.03	Motor Mount 1	2
65	2.16.001.1	Pin Ø2 x 33, "R" Shape, Black	2
66	152.201701.09	9.5 in. PU Wheel	2
67	122.201501.25.1	Pin Roll, Wheel, Ø16 x Ø10 x 107, Black	2
68	1.6177.1.08	Lock Nut M8, Flange	9
69	152.201200.04	Motor Mount 2	2
70	1.5789.0816	Flange Bolt M8 × 16	2
71	152.200002.01.2	Support Leg 84 mm	1
72	152.201400.00	Rubber Pad, Support Leg	2
73	1.5789.0825	Flange Bolt M8 × 25	2
74	1.9074.3.0510	Screw/Washer Assembly M5 × 10	2
75	1.6177.1.05	Lock Nut M5, Flange	2
76	9.1000.150	Battery 12V15AH	1
77	152.200904.00	Pinch, Rubber	1
78	5.1900.025	Black Wire 320 mm, Battery	1
79	5.1900.024	Red Wire 480 mm, Battery	1
80	152.200013.02.3	Jacket, Wire, Red	2
81	152.200013.02	Jacket, Wire, Black	1
82	152.201004.00	Lock Catch	2
83	152.200019.00.48	Switch Handle, Yellow	1
84	1.6170.03	Nut M3	1
85	5.1050.000	Switch	1
86	1.819.1.0330	Screw M3 × 30	1
87	2.06.032	Clip Ø17	2
88	1.6182.05	Lock Nut M5	1
89	122.070032.00	Sleeve, Knob	1
90	122.070025.02	Knob	1
91	1.823.0408	Screw M4 × 8	2
92	122.074000.01	Cut-off Valve, B	1

#	Part Number	Description	Qty
93	152.070012.05	Pipe, 40 mm	1
94	2.08.055.1	Bolt M6 × 14, Black	3
95	47.130021.01	LPG Hose With Regulator 3.3 ft. 1 m	1
96	9.1500.002	Sleeve, Connector	1
97	47.136000.01	Pressure-reducing Valve	1
98	152.070012.06	Pipe, 750 mm	1
99	152.200018.00	Supporter	1
100	152.070031.01	Jacket, Fuel Hose	1
101	2.06.023	Clip Ø20	2
102	1.845.4816	Screw ST4.8 × 16	2
103	2.06.050	Clip Ø8 × Ø18	1
104	1.845.3513	Screw ST3.5 × 13	1
105	122.070400.06	Fuel Valve	1
106	152.070011.09	Fuel Pipe, 480 mm	1
107	152.199.08.2	Control Panel	1
108	5.1000.015.3	Ignition Switch, Red	1
109	1.9074.4.0512.1	Screw/Washer Assembly M5 x 12, Black	6
110	5.1120.023	Receptacle L5-30R, CSA	1
111	5.1870.023	Receptacle Cover, L5-30R	1
112	1.5783.0622.3	Bolt M6 × 22, Green	1
113	1.6175.06.3	Nut M6, Green	2
114	1.97.1.06.3	Washer Ø6, Green	2
115	1.93.06.3	Lock Washer Ø6, Green	2
116	5.1120.026	Receptacle L14-30R, CSA	1
117	5.1870.020	Receptacle Cover, L14-30R	1
118	5.1120.027	Receptacle 5-20R, Duplex, CSA	2
119	5.1870.025	Receptacle Cover, 5-20R	2
120	5.1210.920	20Amp Circuit Breaker, Push button, CSA	2
121	5.1240.930	30Amp Circuit Breaker, Double Pole, CSA	1
122	1.9074.4.0306.1	Screw/Washer Assembly M3 × 6, Black	4
123	5.1810.004	VFO Diode, CSA	1
124	1.823.0514	Screw M5 × 14, Black	3

#	Part Number	Description	Qty
125	5.1800.004	Rectifier	1
126	5.1820.009	Charger	1
127	5.1000.014.3	Battery Switch, Red	1
128	5.1430.005	Intelligauge	1
129	1.9074.4.0414.1	Screw/Washer Assembly M4 × 14, Black	2
130	1.6177.1.04.1	Lock Nut M4, Flange, Black	10
131	1.5789.0615.1	Flange Bolt M6 × 15, Black	4
132	152.210002.17	Control Box	1
133	100230.21.10	Wire Assembly	1
134	122.210003.01	Wire Jacket, Control Box	1
135	5.1320.012	Conduit, Plastic, CSA	1
136	152.210003.02	Plug, End Cover	1
137	5.1280.003	Fuse 10A	1
138	5.1280.008	Fuse 5A	1
139	100230.21	Control Panel Assembly	1
140	152.100007.00	Insulation Board, Motor Mount	1

# ENGINE PARTS DIAGRAM



**ENGINE PARTS LIST**

#	Part Number	Description	Qty
1	21.061300.00	Handle, Recoil, Soft	1
2	1.5789.0608	Flange Bolt M6 x 8	3
3	46.061100.00.2	Cover, Recoil Starter, Black	1
4	45.060005.00	Spring, Recoil Starter	1
5	45.061102.00	Reel, Recoil Starter	1
6	2.10.003.1	Rope Ø4 x 1550, Black	1
7	45.060003.00	Spring, Ratchet	2
8	45.060002.00	Starter Ratchet, Steel	2
9	45.060009.00	Spring, Ratchet Guide	1
10	45.060007.00	Ratchet Guide	1
11	45.060008.00	Screw, Ratchet Guide	1
12	1.5789.0612	Flange Bolt M6 x 12	12
13	2.05.009	Clamp Ø12.5 x 7	2
14	47.080100.01.48	Fan Cover, Yellow	1
15	2.02.007	Nut M16 x 1.5	1
16	1.5789.0629	Flange Bolt M6 x 29	2
17	45.060001.00	Pulley, Starter	1
18	46.123000.01	Ignition Coil	1
19	47.080001.00	Cooling Fan	1
20	46.120100.05	Flywheel	1
21	46.091000.03.2	Air Cleaner Assembly, Black	1
22	46.061000.00	Recoil Assembly	1
23	2.11.007	Oil Seal Ø35 x Ø52 x 8	2
24	2.05.050	Wire Clip 100 mm	1
25	152.070031.01	Sheath, Wire	1
26	2.03.023	Washer Ø12.5 x Ø20 x 2, Drain Bolt	1
27	47.030100.05	Crankcase	1
28	45.127000.02	Oil Level Sensor	1
29	1.5789.0615	Flange Bolt M6 x 15	2
30	1.276.6202	Bearing 6202	2

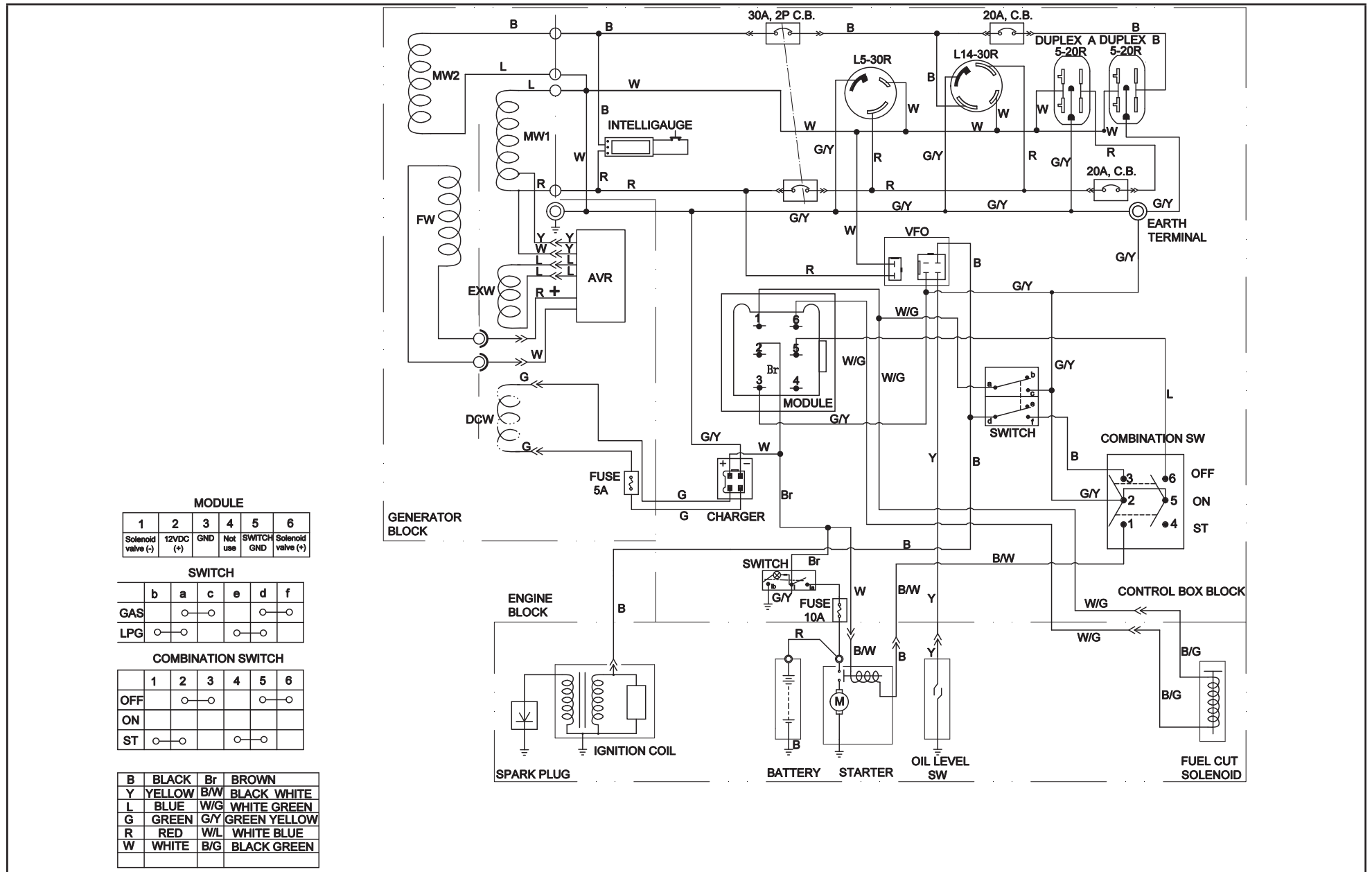
#	Part Number	Description	Qty
31	47.050006.00	Weight Balancer	1
32	47.050100.01	Crankshaft	1
33	46.030008.00	Gasket, Crankcase Cover	1
34	2.04.001	Dowel Pin Ø9 x 14	2
35	46.080600.00	Air Guide, Right Side	1
36	1.276.6207	Bearing 6207	1
37	46.031000.01.48	Oil Dipstick Assembly, Yellow	1
38	45.030007.00	Cover, Crankcase	1
39	1.5789.0840	Flange Bolt M8 x 40	7
40	2.03.021.1	Washer Ø6.4 x Ø13 x 1, Black	1
41	45.110013.00	Shaft, Governor Gear	1
42	45.110100.00	Gear, Governor	1
43	21.110011.00	Clip, Governor Gear	1
44	45.110012.00	Bushing, Governor Gear, Steel	1
45	47.050200.00	Connecting Rod	1
46	47.050005.01	Piston	1
47	2.09.004	Circlip Ø21 x Ø1	2
48	45.050003.00	Pin, Piston	1
49	46.050303.02	Ring, Oil	1
50	46.050302.02	Ring, Second Piston	1
51	46.050301.02	Ring, First Piston	1
52	2.04.004	Dowel Pin Ø12 x 20	2
53	46.030009.02	Gasket, Cylinder Head	1
54	46.080400.00	Air Guide, Lower	1
55	47.010100.01	Cylinder Head	1
56	2.01.010	Stud Bolt M8 x 35	2
57	2.15.002(F6RTC)	Spark Plug F6RTC	1
58	2.08.014	Flange Bolt M10 x 80	4
59	46.020002.00	Gasket, Cylinder Head Cover	1
60	47.021000.00	Cover, Cylinder Head	1



#	Part Number	Description	Qty
61	45.020001.02	Breather Tube	1
62	47.020100.00	Bolt, Cylinder Head Cover	1
63	2.08.039	Drain Bolt M12 x 1.5 x 15	1
64	47.041000.01	Camshaft	1
65	47.040004.00	Lifter, Valve	2
66	47.040002.00	Valve, Intake	1
67	47.040006.00	Valve, Exhaust	1
68	46.040005.00	Push Rod	2
69	45.040015.00	Retainer, Valve Spring	2
70	45.040017.00	Oil Seal, Valve	2
71	45.040003.00	Spring, Valve	2
72	23.040010.00	Bolt, Rocker Arm	2
73	45.040001.00	Retainer, Intake Valve Spring	1
74	45.040007.00	Retainer, Exhaust Valve Spring	1
75	45.040008.00	Rotator, Exhaust Valve	1
76	46.040004.00	Guide Plate, Push Rod	1
77	46.040016.00	Shaft, Rocker Arm	1
78	46.040201.00	Retainer, Rocker Arm	1
79	46.040009.00	Rocker Arm, Intake Valve	1
80	46.040018.00	Rocker Arm, Exhaust Valve	1
81	1.97.1.06	Washer Ø6	2
82	22.040012.00	Screw, Valve Adjustment	2
83	1.6177.1.06	Flange Nut M6	2
84	21.040021.00	Nut M6 x 0.5, Lock	2
85	2.01.008	Stud Bolt M6 x M8 x 105	2
86	46.130002.20	Gasket, Insulator	1
87	45.130001.00	Insulator, Carburetor	1
88	46.130003.20	Gasket, Carburetor	1
89	47.131000.25	Carburetor	1
	47.131000.29		
90	46.130004.20	Gasket, Air Cleaner	1
91	1.6177.06	Flange Nut M6	3

#	Part Number	Description	Qty
92	46.091100.03	Base, Air Cleaner	1
93	45.091002.20	Seal, Air Cleaner	1
94	45.091001.20	Separator, Air Cleaner	1
95	45.091003.20	Element, Air Cleaner	1
96	46.091200.04	Cover, Air Cleaner	1
97	1.5789.0835	Flange Bolt M8 x 35	2
98	45.125100.00	Starter Motor	1
99	45.125200.01	Relay, Starter	1
100	1.93.05	Lock Washer Ø5	2
101	1.16674.0516	Flange Bolt M5 x 16	2
102	45.110001.00	Shaft, Governor Arm	1
103	2.03.019	Washer Ø8.2 x Ø17 x 0.8	1
104	2.11.006	Oil Seal Ø7 x Ø14 x 5	1
105	45.110008.00	Pin, Shaft	1
106	45.110003.01	Arm, Governor	1
107	2.08.040	Bolt M6x21, Governor Arm	1
108	45.110006.00	Rod, Governor	1
109	45.110005.00	Spring, Throttle Return	1
110	45.110007.01	Spring, Governor	1
111	46.080300.20	Air Guide, Upper	1
112	47.131017.21	Main Jet, Standard	1
	47.131017.21.01	Main Jet, Altitude	/
113	45.125000.01	Starter Motor Assembly	1
114	46.040200.00	Rocker Arm Assembly	1
115	47.010000.01	Cylinder Head Assembly	1
116	1.6177.1	Flange Nut M5	6

# WIRING DIAGRAM



**MODULE**

1	2	3	4	5	6
Solenoid valve (-)	12VDC (+)	GND	Not use	SWITCH GND	Solenoid valve (+)

**SWITCH**

	b	a	c	e	d	f
GAS	○	○		○	○	
LPG	○	○		○	○	

**COMBINATION SWITCH**

	1	2	3	4	5	6
OFF		○			○	
ON						
ST	○	○		○	○	

B	BLACK	Br	BROWN
Y	YELLOW	B/W	BLACK WHITE
L	BLUE	W/G	WHITE GREEN
G	GREEN	G/Y	GREEN YELLOW
R	RED	W/L	WHITE BLUE
W	WHITE	B/G	BLACK GREEN