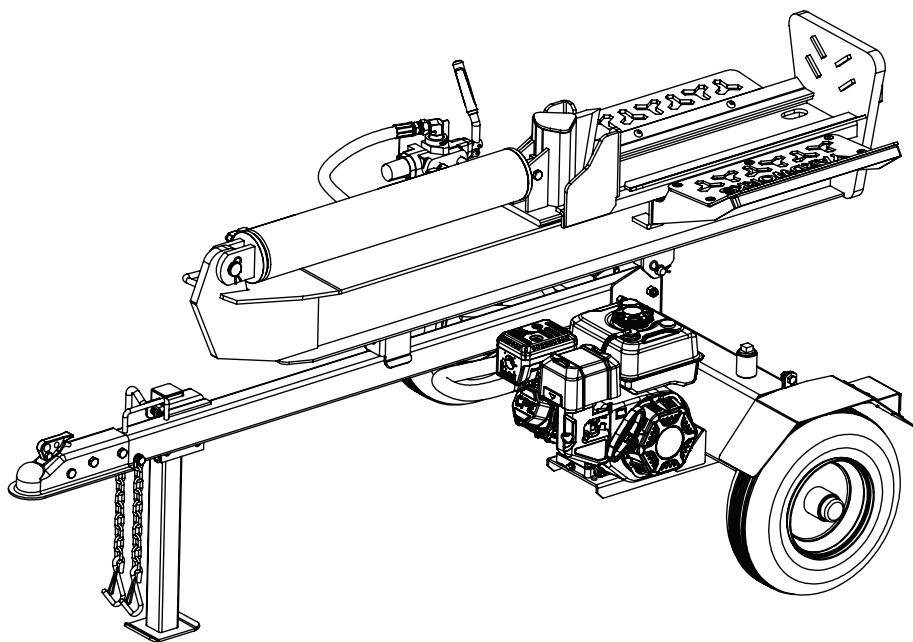




**YARDWORKS**<sup>®/MD</sup>

**MODEL #100876**



## **PARTS INFORMATION**

**25 TON FULL BEAM LOG SPLITTER**

**SERIAL NUMBER RANGE: ALL**

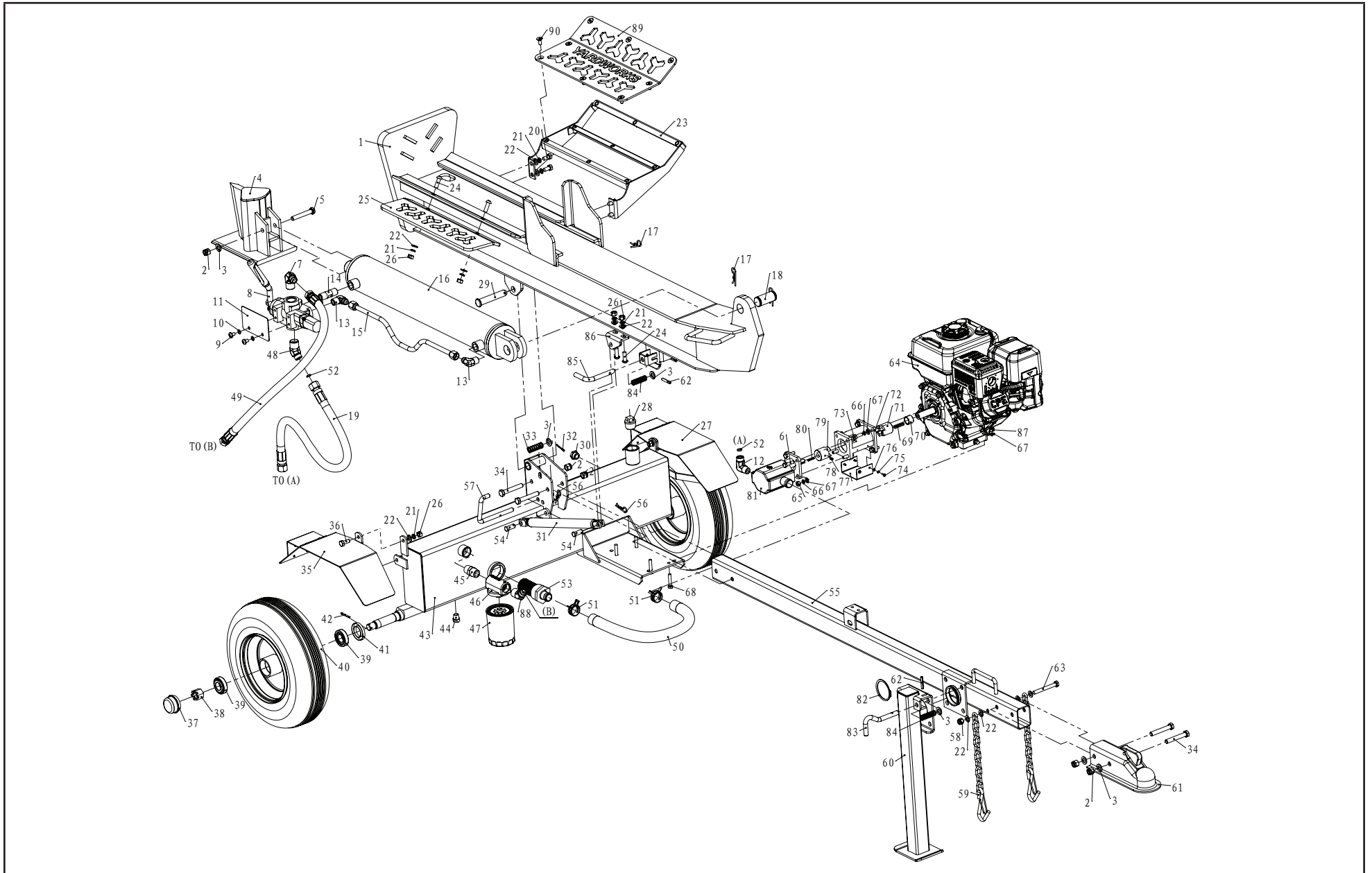


For Customer Assistance Please Call:  
**1.866.523.5218**

## **TABLE OF CONTENTS**

<b>Parts Diagram</b> .....	<b>3</b>
<b>Parts List</b> .....	<b>4</b>
<b>Engine Parts Diagram R224P-E00DU</b> .....	<b>6</b>
<b>Engine Parts List R224P-E00DU</b> .....	<b>7</b>
<b>Engine Parts Diagram 1TC7QG018</b> .....	<b>9</b>
<b>Engine Parts List 1TC7QG018</b> .....	<b>10</b>

# PARTS DIAGRAM



## PARTS LIST

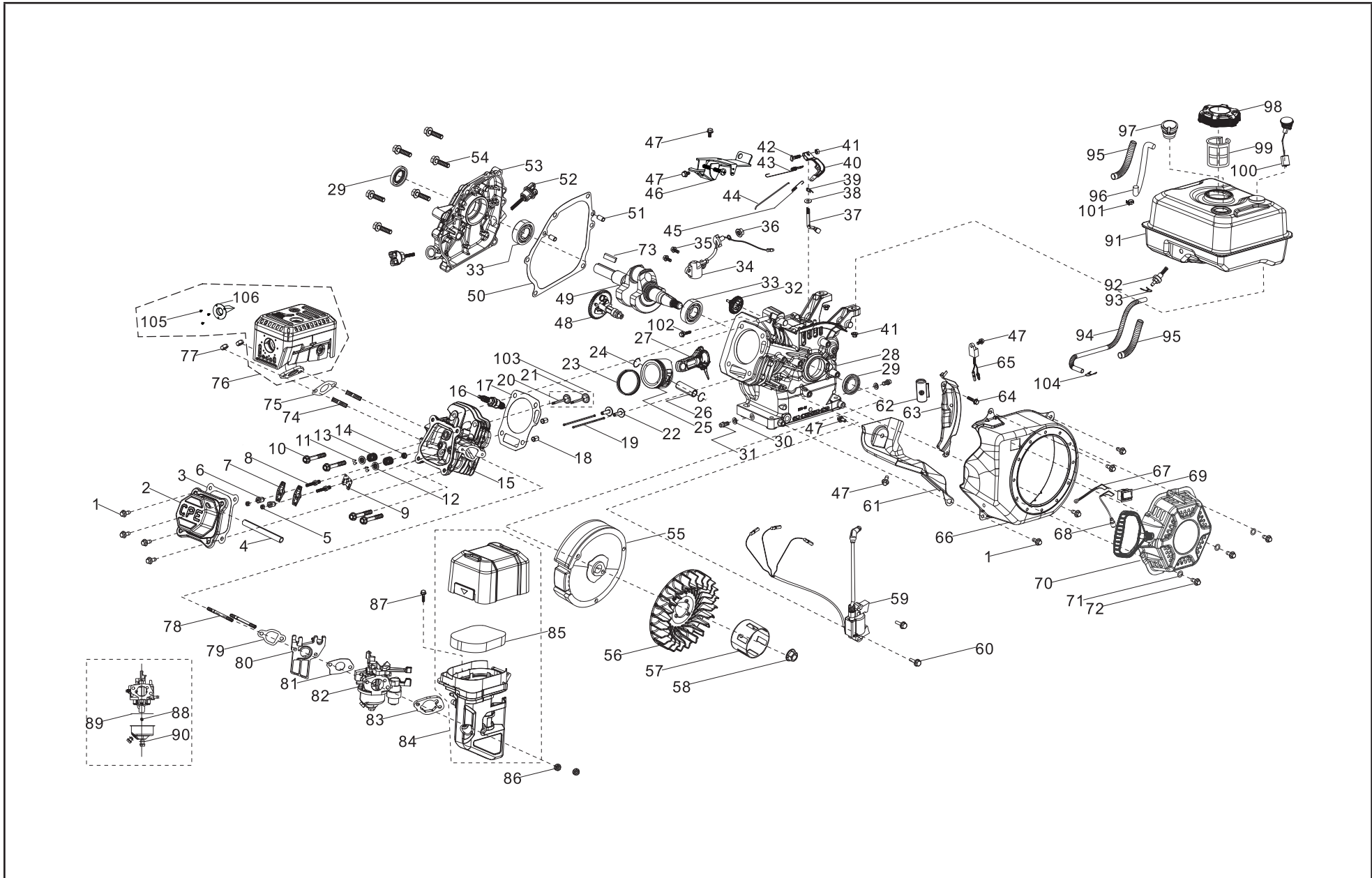
#	Part Number	Description	Qty.
1	PMJ25Y-01-00	Beam, Teal 3145c	1
2	G889.1-2000-M12	Lock Nut M12	5
3	G95-2000-12	Washer Ø12	6
4	PMJ25M-02-00G	Wedge Slide, Cool Gray 11c	1
5	G5782-2000-M12-75	Bolt M12x75(12.9)	1
6	G5783-2000-M8-30	Bolt M8x30	4
7	PMJ25Y-23	JIC Connector, 90 Degree	1
8	PMJ25Y-12	Control Valve	1
9	G818-2000-M8-12	Bolt M8x12	2
10	G859-1987-8	Washer Ø8	2
11	PMJ22J-19	Plate	1
12	PMJ25M-16	Outlet Connector Of Pump	1
13	PMJ25M-29	Right Angle Joiner	2
14	PMJ22M-22	Valve Joiner	1
15	PMJ25M-28	Hydraulic Hose(Valve-Cylinder)	1
16	PMJ25M-08-00G	Cylinder, Cool Gray 11c	1
17	GJY12-3	R Pin	3
18	PMJ25M-13	Wedge Pin	1
19	PMJ25M-15A	Hydraulic Hose(Valve-Pump)	1
20	G5781-2000-M10-20	Bolt M10x20	4
21	G93-1987-10	Lock Washer Ø10	12
22	G95-2000-10	Washer Ø10	16
23	PMJ25Y-36-00G	Log Catcher Bracket, Cool Gray 11c	1
24	G70.2-2000-M10-30	Bolt M10x30	4
25	PMJ25Y-31	Short Log Catcher, Aluminum	1
26	G6170-2000-M10	Nut M10	8
27	PMJ22G-35-00G	Right Fender, Cool Gray 11c	1
28	PMJ22G-18	Screw NPT 1 in.	1
29	PMJ25Y-19	Pin	1

#	Part Number	Description	Qty.
30	G1160.2-89	Oil Scale	1
31	PMJ25Y-28	Gas Lift Assist	1
32	G95-2000-3.2-14	Cotter Pin Ø3.2x14	1
33	PMJ25Y-17	Spring For Vertical Lock Pin	1
34	G5782-2000-M12-75	Bolt M12x75	4
35	PMJ22G-34-00G	Left Fender, Cool Gray 11c	1
36	G5783-2000-M10-25	Bolt M10x25	4
37	PMJ22J-05-02	Axle Cap	2
38	G9459-1988-M20-1.5	Slotted Nut M20x1.5	2
39	L44634 LYC DS	Tapered Bearing	4
40	PMJ22D-05-03G	Wheel, Cool Gray 11c	2
41	PMJ22J-05-01	Cased Seal	2
42	G91-2000-4-32	Cotter Pin Ø4x32	2
43	PMJ25Y-04-00G	Oil Tank, Cool Gray 11c	1
44	PMJ22G-19	Oil Plug	1
45	PMJ22Q-23	Through Joint	1
46	PMJ25M-20-00	Auto Filter Base	1
47	PMJ22G-52	Auto Filter	1
48	PMJ20J-17	Filter Housing "OUT" Connection	2
49	PMJ25Y-22	Hydraulic Hose(Valve-Oil Tank)	1
50	PMJ25M-17	Oil Pipe	1
51	PMJ25Y-38	Clamp d30	2
52	G3452.1-92-10-2.65	O Ring Ø10x2.65	2
53	PMJ22Q-20A	Internal Oil Filter	1
54	G882-88-12-30	Pin 12x30	2
55	PMJ25Y-03-00G	Base Tube, Cool Gray 11c	1
56	PMJ22G-30	R Pin	2
57	PMJ25Y-15	Vertical Lock Pin	1
58	G889.1-2000-M10	Lock Nut M10	1

#	Part Number	Description	Qty.
59	PMJ25M-18-00	Safety Chain With Hook	2
60	PMJ25Y-07-00G	Front Support Leg, Cool Gray 11c	1
61	PMJ22G-40	2-in. Coupler	1
62	G879.2-2000-6-40	Spring Pin 6x40	2
63	G5782-2000-M10-85	Bolt M10x85	1
64	R224P-E00DU SN: ≤ 21068144	Engine, Teal 3145c	1
	1TC7QG018 SN: 21068237 + SN: < NF2211028001		
	R224P-E00DU SN: NF2211028001 +		
65	G6170-2000-M8	Nut M8	4
66	G93-1987-8	Lock Washer Ø8	8
67	G95-2000-8	Washer Ø8	12
68	G5782-2000-M8-40	Bolt M8x40	4
69	G1096-1979-4.78-35	Flat Key 4.78x4.78x35	1
70	PMJ22G-29	Engine Bushing	1
71	PMJ22G-28	Engine Connector	1
72	PMJ22G-27	Gear Pump Stand	1
73	ASME-B18.2.1-1996- 516-24-1	Bolt 5/16 in.-24x1 in.	4
74	G818-2000-M4-10	Cross Head Screw M4x10	4
75	G848-1985-4	Lock Washer Ø4	4
76	G859-1987-4	Washer Ø4	4
77	PMJ22G-32	Connector Cover	1
78	G77-2000-M6-10	Screw M6x10	1
79	PMJ22G-26	Gear Pump Connector	1
80	G1096-1979-3.18-25.4	Flat Key 3.18x25.4	1
81	PMJ22J-14	Gear Pump	1
82	G894.1-86-63	Circlip Ø63	1
83	PMJ25Y-16	Support Leg Lock Pin	1

#	Part Number	Description	Qty.
84	PMJ25Y-18	Spring For Lock Pin	2
85	PMJ25Y-14	Horizontal Lock Pin	1
86	PMJ25Y-25	Bracket, Gas Lift Assist	1
87	G889.1-2000-M8	Lock Nut M8	4
88	PMJ25Y-24	JIC Connector, 135 Degree	1
89	PMJ25Y-36-01	Log Catcher(Top Plate), Aluminum	1
90	G70.3-2000-M8-20	Hexagon Socket Countersunk Head Screw M8x20	8

# ENGINE PARTS DIAGRAM R224P-E00DU



**ENGINE PARTS LIST R224P-E00DU**

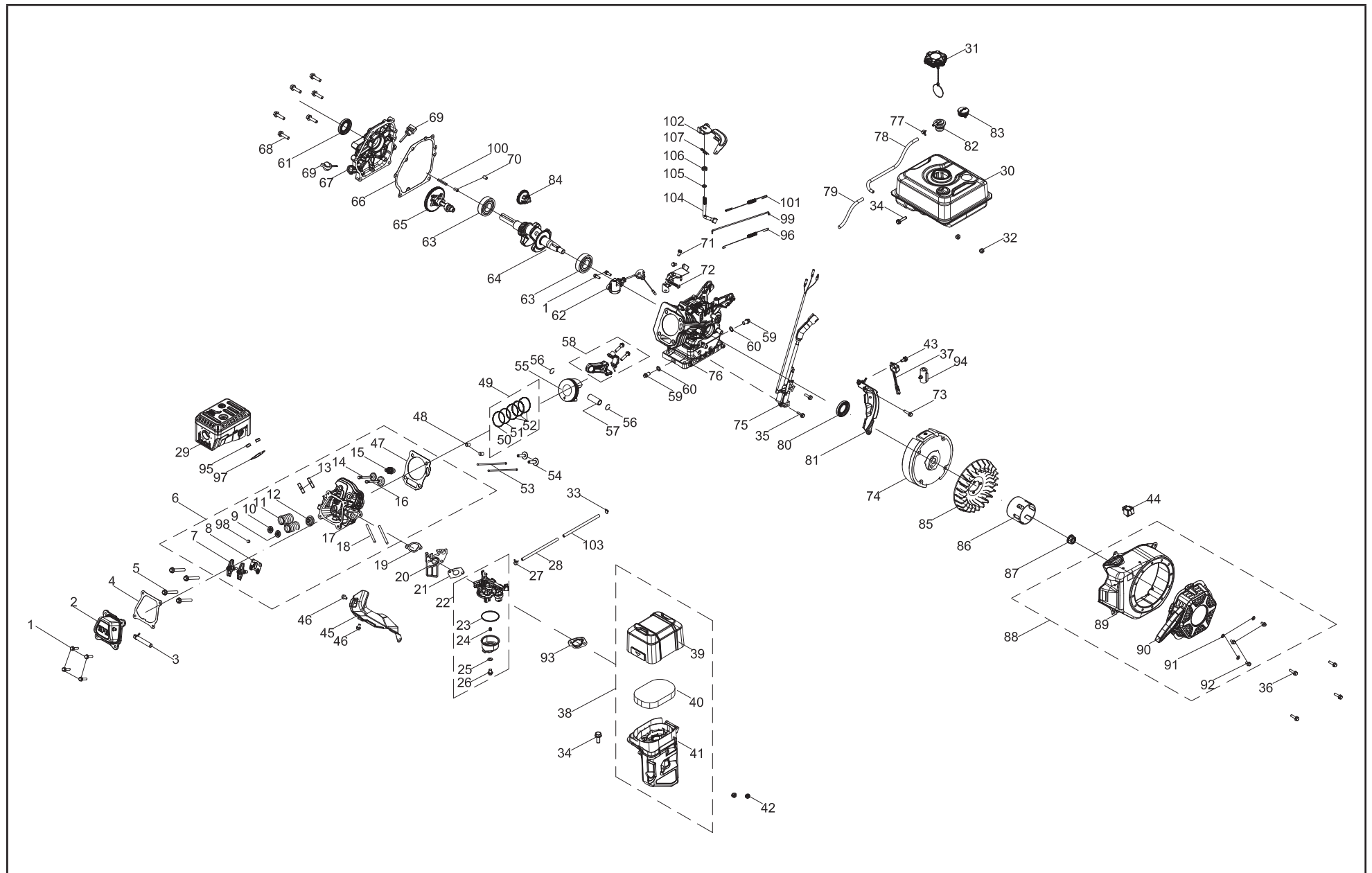
#	Part Number	Description	Qty.
1	90001-0612-0101	Hexagon Flange Bolt, M6 x 12, Blue White Zinc	8
2	12410-Z440110-0001	Cylinder Head Cover Subassembly, Blue White Zinc	1
3	12004-Z440110-00A0	Cylinder Head Cover Gasket	1
4	17004-Z440110-0002	Tube, Breather, Ø8 x Ø12 x 90	1
5	14312-Z010110-0000	Valve Lock Nut	2
6	14314-Z010110-0000	Valve Adjusting Nut	2
7	14311-Z010110-0000	Valve Rocker	2
8	14313-Z010110-0000	Valve Adjusting Bolt	2
9	14090-Z010110-0000	Lifter Stopper Plate Subassembly, Blue White Zinc	1
10	12003-Z010110-0001	Cylinder Head Bolt, M8 x 60, Blue White Zinc	4
11	12109-Z810110-0000	Valve Lock Clamp	4
12	12112-Z810210-0000	Valve Spring Retainer	2
13	12103-Z010110-0000	Valve Spring	2
14	12101-Z810210-0000	Seal Guide	1
15	12140-Z810210-00A0	Cylinder Head Subassembly	1
16	30010-Z010110-0000	Spark Plug, F6RTC	1
17	12131-Z950210-0000	Cylinder Head Gasket	1
18	90502-1114-00A0	Pin, 11 x 14	2
19	14071-Z440110-0000	Valve Lifter	2
20	12121-Z810120-0000	Exhaust Valve	1
21	12111-Z810110-0000	Inlet Valve	1
22	14081-Z040110-0000	Valve Tappet	2
23	13200-Z140210-00A9	Piston Ring Assembly	1
24	13122-Z510210-0000	Piston Pin Clip	2
25	13111-Z810120-00A0	Piston	1
26	13121-Z810110-0000	Piston Pin, Ø13 x Ø45.9	1
27	13010-Z810210-00A0	Connecting Rod	1

#	Part Number	Description	Qty.
28	11310-Z810120-00A9	Crankcase Subassembly	1
29	90682-Z300110-0001	Oil Seal, Ø25 x Ø41.25 x 6	2
30	90408-Z010110-00A0	Washer, Ø10 x Ø15.8 x 1.5	2
31	11007-Z010110-0001	Drain Plug Bolt, M10 x1.25 x15, Blue White Zinc	2
32	16400-Z810210-0000	Governor Gear Assembly	1
33	90547-0205-00	Bearing	2
34	37060-Z010120-0001	Engine oil Sensor, W/O Nut	1
35	90001-0614-01A0	Hexagon Flange Bolt, M6 x 14, Blue White Zinc	2
36	90305-Z010210-0101	Hexagon Flange Nut, M10, Blue White Zinc	1
37	16061-Z010110-0000	Governor Arm	1
38	90408-Z010210-00A0	Washer, Ø6.2 x Ø15 x 0.6	1
39	90501-Z010110-0001	Pin, Blue White Zinc	1
40	16070-Z010110-0001	Governor Support Subassembly, Blue White Zinc	1
41	90305-0600-3101	Hexagon Flange Nut, M6, Blue White Zinc	3
42	16072-Z010110-0001	Governor Support Bolt, M6 x 21, Blue White Zinc	1
43	16063-Z810110-0001	Spring, Governor	1
44	16062-Z010110-0001	Governeor Rod, Blue White Zinc	1
45	16012-Z010310-0000	Throttle Valve Returning Spring	1
46	16520-Z012510-0100	Throttle Control Assembly, Blue White Zinc	1
47	90001-0610-01A1	Hexagon Flange Bolt, M6 x 10, Blue White Zinc	5
48	14200-Z810310-0000	Camshaft Assembly	1
49	13300-Z812110-00A0	Crankshaft Assembly	1
50	11001-Z440110-00A0	Crankcase Gasket	1
51	90502-0912-00A0	Pin, 9 x 12	2
52	15010-Z290110-Q202	Oil Dipstick Subassembly	2
53	11411-Z440410-00A0	Crankcase Cover	1

#	Part Number	Description	Qty.
54	90001-0832-0101	Hexagon Flange Bolt, M8 x 32, Blue White Zinc	6
55	13510-Z440410-0000	Flywheel Subassembly	1
56	19352-Z440110-0001	Impeller	1
57	28002-Z0L0110-0000	Starter Pulley, Blue White Zinc	1
58	13501-Z010110-00A0	Flywheel Nut, M14 x 1.5, Blue White Zinc	1
59	30400-Z441011-0002	Ignition Coil	1
60	90001-0625-01A0	Hexagon Flange Bolt, M6 x 25, Blue White Zinc	2
61	19304-Z010610-0001	Cylinder Body Shroud, Blue White Zinc	1
62	90684-Z010510-0000	Clip	1
63	19340-Z011011-0000	Lower Shield, Blue White Zinc	1
64	90001-0616-01A0	Hexagon Flange Bolt, M6 x 16, Blue White Zinc	1
65	37050-Z010210-0001	Oil Protector, Blue White Zinc	1
66	28110-Z810310-BV00	Shroud	1
67	35555-Z810110-0000	Switch Connector Grounding Wire	1
68	35541-Z010610-0000	Stop Engine Connecting Wire	1
69	35540-Z010610-R901	Stop Engine Switch Subassembly	1
70	28200-Z141210-HL00	Recoil Starter Assembly	1
71	90408-0600-03	Washer, Black Zinc	3
72	90001-0608-03	Hexagon Flange Bolt, M6 x 8, Black Zinc	3
73	90521-U060110-00A0	Key	1
74	90203-Z010110-0000	Stud, M8 x 34, Black Zinc	2
75	18001-Z440110-00A0	Exhaust Gasket	1
76	18100-Z140710-00A0	Muffler Assembly	1
77	90303-0800-3101	Hexagon Nut, M8, Blue White Zinc	2
78	90204-Z620110-00A0	Stud, M6 x 115, Black Zinc	2
79	16002-Z010110-0000	Carburetor Insulator Gasket	1
80	16003-Z010110-0000	Carburetor Insulator Plate	1
81	16001-Z010110-0000	Carburetor Gasket	1
82	16100-000057	Carburetor Assembly	1

#	Part Number	Description	Qty.
83	17001-Z010210-0000	Air Cleaner Gasket	1
84	17100-Z011910-00A1	Air Cleaner	1
85	17151-Z2M0110-0000	Air Cleaner Element	1
86	90305-0600-33	Hexagon Flange Nut, M6, Black Zinc	2
87	90007-0630-A1A0	Hexagon Flange Bolt, M6 x 30, Blue White Zinc	1
88	16161-000031	Main Jet, Standard	1
	16161-000027	Main Jet, Altitude 3000-6000 Feet	/
	16161-000025	Main Jet, Altitude 6000-8000 Feet	/
89	16112-Z010110-0000	Seal Ring, Float	1
90	90681-Z010610-0000	Seal Ring	1
91	16620-Z810110-HL01	Fuel Tank	1
92	16680-Z010110-0001	Fuel Tank Oil Outlet Subassembly	1
93	90740-Z010510-00A1	Clamp	1
94	90686-Z010710-00M1	Fuel Pipe, Ø4.5 x Ø8.5 x 160	1
95	30431-Z010110-0003	Rubber Jacket, Ø9.5 x Ø11 x 90, Black	2
96	16805-Z810110-0001	Rubber Hose, Air Cleaner, Ø4.5 x Ø8.5 x 260	1
97	15150-Z810110-0001	Valve, One Way	1
98	16730-Z810110-0001	Fuel Tank Cap	1
99	16652-Z010810-0001	Fuel Strainer	1
100	37200-Z810210-0001	Fuel Gauge	1
101	90685-D085-0EA0	Clamp, Ø8.5 x 0.6 x 8	1
102	90001-0630-0101	Hexagon Flange Bolt, M6 x 30, Blue White Zinc	1
103	12110-Z810120-00A9	Valve Set	1
104	90685-D080-0EA0	Clamp, Ø8 x 0.6 x 7	1
105	90107-4209-04	Screw, ST4.2 x 9	3
106	18250-Z2M0110-00A0	Spark Arrestor	1

# ENGINE PARTS DIAGRAM 1TC7QG018



**ENGINE PARTS LIST 1TC7QG018**

#	Part Number	Description	Qty.
1	100011264-0003	Flange Bolt M6 x 16, GB5789	6
2	100002335	Cylinder Head Cover (Cpe)	1
3	100002832	Breather Tube	1
4	100079562	Gasket, Cylinder Head Cover	1
5	100002464-0001	Flange Bolt M8 x 60	4
6	100734143	Cylinder Head Assembly	1
7	100004420	Rocker Arm	2
8	100050881	Guide Plate, Push Rod	1
9	100004580	Valve Spring Seat, Intake	1
10	100004585	Valve Spring Seat, Exhaust	1
11	100004564	Spring Valve	2
12	100004600	Oil Seal, Intake Valve	1
13	100010387	Stud Bolt M8 x 34	2
14	100057969	Exhaust Valve	1
15	100009378	Spark Plug F6RTC	1
16	100004522	Intake Valve	1
17	100002378	Cylinder Head	1
18	100733507	Stud Bolt M6 x 115	2
19	100078607	Gasket, Insulator	1
20	100005599	Insulator, Carburetor	1
21	100078606	Gasket, Carburetor	1
22	100730983-0002	Carburetor Assembly	1
23	100005717	O-Ring, Fuel Bowl	1
24	100073724	Main Jet, Standard, #74	1
	100092470	Main Jet, Altitude 1000-3000 m, #72	/
25	100006037	Gasket, Fuel Bowl Mounting Bolt	1
26	100005725	Mounting Bolt, Fuel Bowl	1
27	100005149	Clamp Ø7.5	1
28	100063788	Fuel Tube, Ø4 x Ø8 x 160	1
29	100730892	Muffler	1

#	Part Number	Description	Qty.
30	100730667-0002	Fuel Tank Assembly	1
31	100730969	Fuel Tank Cap	1
32	100011452-0003	Flange Nut M6	2
33	100005137	Clamp	1
34	100011269-0003	Flange Bolt M6 x 28	2
35	100011268-0003	Flange Bolt M6 x 25	2
36	100011262-0003	Flange Bolt M6 x 14	4
37	100010040	Oil Sensor	1
38	100731169	Air Cleaner Assembly	1
39	100734201	Air Cleaner Cover	1
40	100734202	Air Cleaner Element	1
41	100734203	Air Cleaner Base	1
42	100011463-0004	Flange Nut M6, GB6177.1	2
43	100011261-0004	Flange Bolt M6 x 12	1
44	100733063-0001	Switch	1
45	100007083	Air Guide, Lower	1
46	100011260-0005	Flange Bolt M6 x 10, GB5789	2
47	100155656	Gasket, Cylinder Head	1
48	100010558	Dowel Pin Ø10 x 16	2
49	100003243	Piston Ring Set	1
50	100072134	1st Piston Ring	1
51	100072135	2nd Piston Ring	1
52	100072136	Oil Ring	1
53	100004395	Push Rod	2
54	100004262	Lifter, Valve	2
55	100003086	Piston	1
56	100003221	Circlip, Wrist Pin	2
57	100003123	Wrist Pin	1
58	100003446	Connecting Rod Assembly	1
59	100010272	Drain Bolt, M10 x 1.25 x 15	2

#	Part Number	Description	Qty.
60	100010459	Washer Ø10 x 1.5 x Ø16	2
61	100017651	Oil Seal Ø25 x Ø41.25 x 6, Spiral Grain	1
62	100010011	Oil Level Sensor	1
63	100010680	Bearing, 6205	2
64	100023653	Crankshaft	1
65	100099599	Camshaft	1
66	100010148	Gasket, Crankcase Cover	1
67	100066338	Cover, Crankcase	1
68	100011319-0001	Flange Bolt M8 x 32	6
69	100004105-0006	Oil Dipstick Assembly	2
70	100010550	Dowel Pin Ø8 x 14	2
71	100011215-0001	Flange Bolt M6 x 12	2
72	100730968	Control Assembly	1
73	100011266-0004	Flange Bolt M6 x 20	1
74	100009503	Flywheel	1
75	100733580	Ignition Module	1
76	100002680	Crankcase	1
77	100005148	Clamp Ø8	1
78	100730897	Fuel Hose	1
79	100063948	Sheath, Vent Tube	1
80	100017644	Oil Seal Ø25 x Ø41.25 x 6	1
81	100150079	Lower Guard	1
82	100008968	Reversal Valve	1
83	100730895	Fuel Gauge	1
84	100008296	Gear, Governor	1
85	100007028	Cooling Fan	1
86	100007550	Pulley, Starter	1
87	100011459-0003	Flange Nut M14 x 1.5	1
88	100007986	Cotter, Governor Shaft	1
89	100734204-0002	Fan Cover, Teal 3145 C	1
90	100734205-0001	Recoil Starter Assembly	1
91	100010894-0002	Washer Ø6	3

#	Part Number	Description	Qty.
92	100011528-0002	Flange Bolt M6 x 10	3
93	100005629	Gasket, Air Cleaner Base	1
94	100000657	Clip	1
95	100011422-0004	Flange Nut M8, GB6170	2
96	100053141	Spring, Throttle Return	1
97	100006526	Gasket, Muffler	1
98	100004588	Retainer, Valve	1
99	100007947	Rod, Governor	1
100	100010620	Key, 4.75 x 4.75 x 35	1
101	100007855	Spring, Governor	1
102	100039298	Arm, Governor	1
103	100009151	Sheath, Fuel Tube	1
104	100007975	Governor Shaft	1
105	100010113	Sealing Ring, Ø5.2 x 1.9	1
106	100017630	Oil Seal Ø6 x Ø11 x 4	1