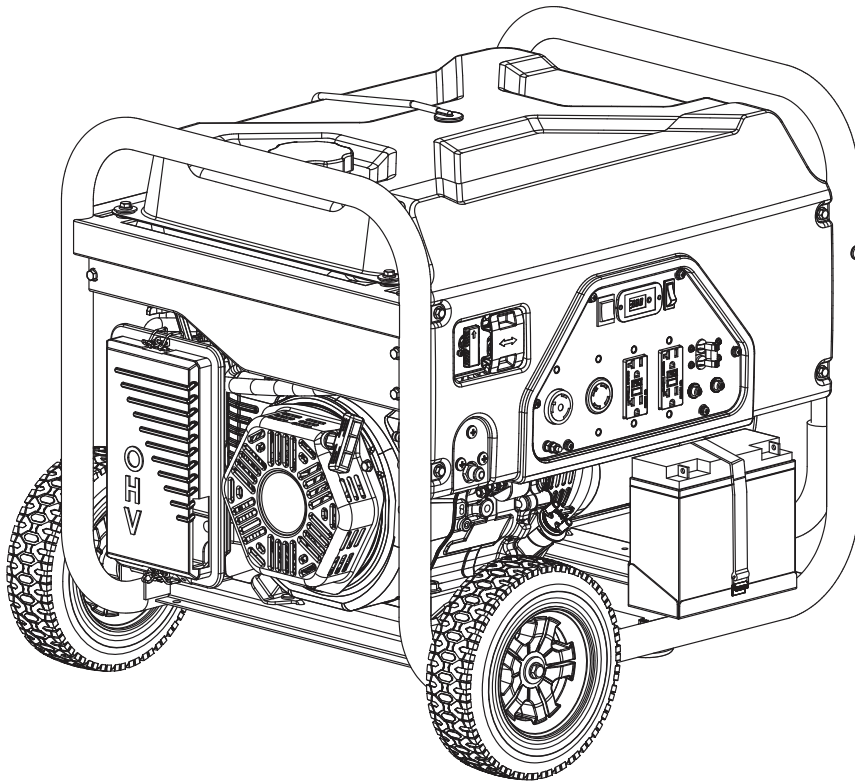




Champion Power Equipment, Inc., Santa Fe Springs, CA USA

MODEL #100297



PARTS INFORMATION

8000W DUAL FUEL ELECTRIC START GENERATOR

SERIAL NUMBER RANGE: ALL

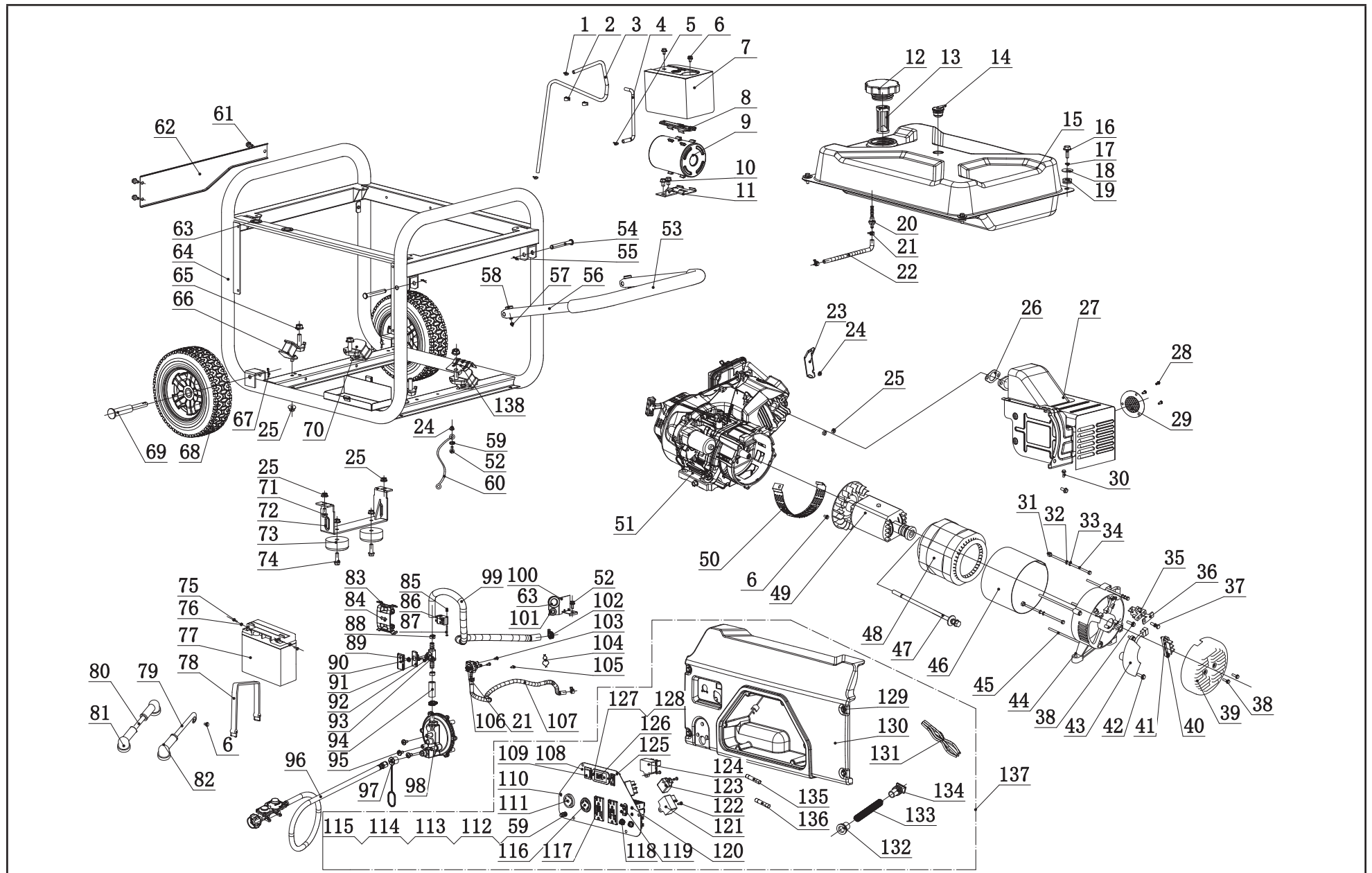


To order replacement parts please visit:
shop.championpowerequipment.com
or call **1-877-338-0999**.

TABLE OF CONTENTS

Generator Parts Diagram	3
Generator Parts List	4
Engine Parts Diagram	7
Engine Parts List	8
Wiring Diagram	10

GENERATOR PARTS DIAGRAM



GENERATOR PARTS LIST

#	Part Number	Description	Qty.
1	2.06.006	Clamp Ø7 × Ø1	2
2	2.05.001	Clamp Ø8 × 6.5	2
3	152.070014.05	Pipe, Reversal Valve, 810 mm	1
4	152.070013.03	Pipe, Air Cleaner, 135 mm	1
5	2.06.004	Clamp Ø8 × Ø1	1
6	1.5789.0608	Flange Bolt M6 × 8	4
7	152.070018.02	Board, Heat Insulation	1
8	152.070702.06	Support Arm, Top	1
9	152.070700.02	Carbon Canister, 650 cc	1
10	1.16674.0812	Flange Bolt M8 × 12	2
11	152.070702.05	Support Arm, Bottom	1
12	122.070100.07	Fuel Tank Cap	1
13	122.070300.03	Fuel Filter	1
14	24.070800.00	Reversal Valve	1
15	152.071000.31.48	Fuel Tank, 22.9L, Yellow	1
16	1.5789.0620.1	Flange Bolt M6 × 20, Black	4
17	1.93.06	Lock Washer Ø6	4
18	2.03.004.1	Flat Washer, Ø24 × Ø6.5 × 1.5, Black	4
19	122.070015.01	Mount Vibration, Fuel Tank	4
20	21.070600.03	Fitting, Fuel Tank	1
21	2.06.016	Clamp Ø8 × b8	4
22	152.070011.08	Fuel Pipe, 265 mm	1
23	45.090006.20	Holder, Air Cleaner	1
24	1.6177.1.06	Lock Nut M6, Flange	2
25	1.6177.1.08	Lock Nut M8, Flange	10
26	47.100001.00	Gasket, Exhaust	1
27	46.101000.01.2	Muffler Assembly	1
28	1.9074.4.0510	Screw/Washer Assembly M5 × 10	3
29	46.101300.00	Spark Arrester Assembly	1

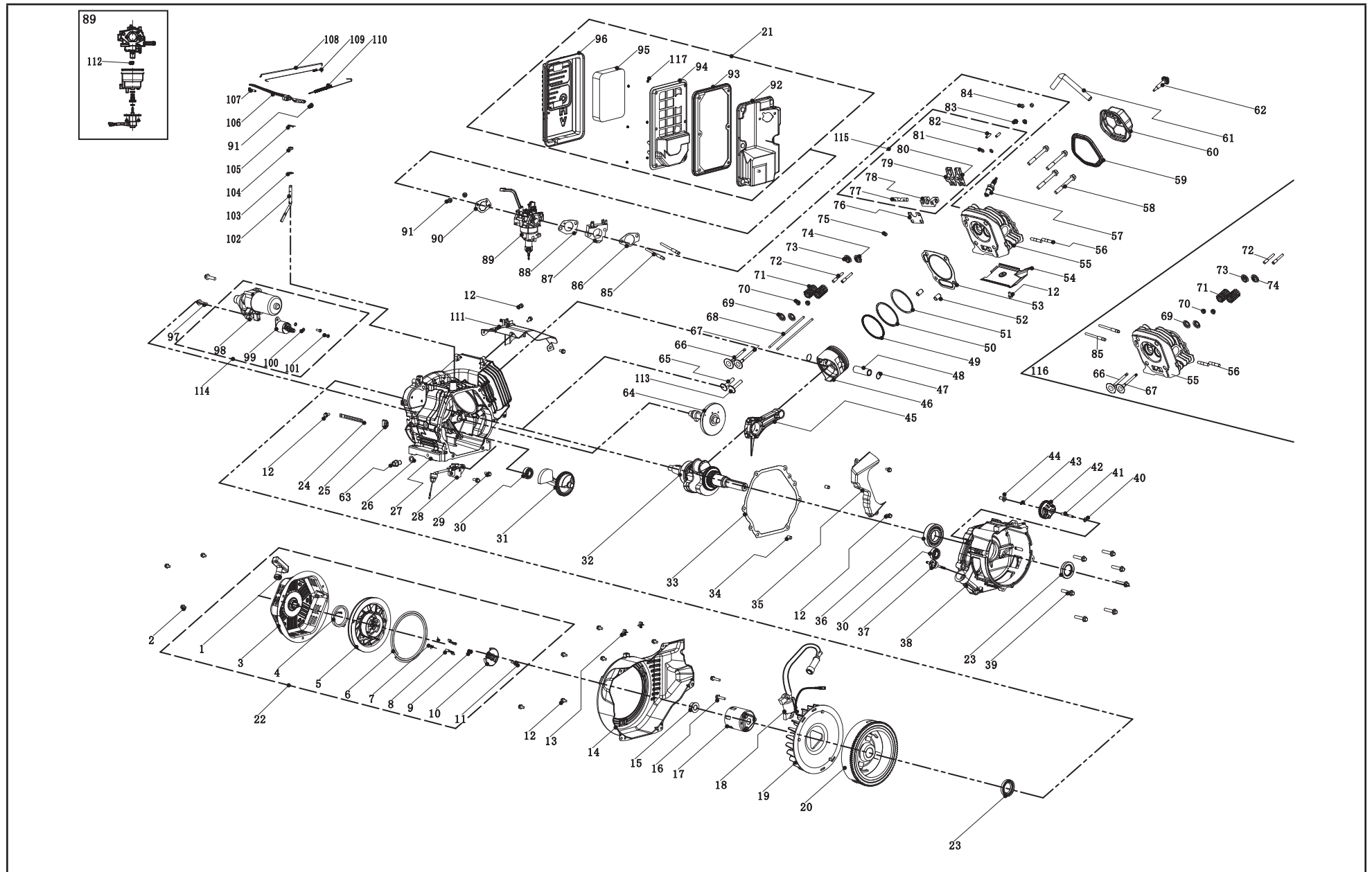
#	Part Number	Description	Qty.
30	1.16674.0820	Flange Bolt M8 × 20	2
31	1.6175.05	Nut M5	2
32	1.97.1.05	Washer Ø5	2
33	1.93.05	Lock Washer Ø5	2
34	2.08.071	Bolt M5 × 229	2
35	152.190300.00	Carbon Bursh Assembly	1
36	122.190004.01	Pinch, Carbon Brush	1
37	1.9074.15.0520	Bolt/Washer Assembly M5 × 20	1
38	1.16674.0512.2	Flange Bolt M5 × 12	3
39	152.190003.00.48	Generator End Cover, Yellow	1
40	1.9074.17.0516	Screw/Washer Assembly M5 × 16	2
41	122.190400.00	Terminal Block	1
42	1.16674.0516	Flange Bolt M5 × 16	2
43	153.190200.03	AVR	1
44	152.190002.00	End Housing	1
45	2.08.069	Flange Bolt/Washer Assembly M6 × 194	4
46	154.191002.00	Stator Cover	1
47	2.08.070	Flange Bolt/Washer Assembly M10 × 280	1
48	154.191200.02	Stator Assembly, Al, Ø204 × 158 mm	1
49	154.191100.02	Rotor Assembly, Al, Ø204 × 158 mm	1
50	152.192300.01	Air Guide	1
51	48.690	Engine, 459cc	1
52	1.5789.0612	Flange Bolt M6 × 12	2
53	152.200702.02	Cover, Handle	1
54	152.200703.03	Long Pin, Handle	2
55	11.110008.00	"R" Shape	2
56	152.200701.14	Handle, U Shape	1
57	1.894.1.08	Circlip Ø8	2
58	152.200703.02	Short Pin, Handle	2

#	Part Number	Description	Qty.
59	1.862.06	Lock Washer Ø6, Toothed	2
60	5.1900.026	Grounding Line 150 mm	1
61	1.5789.0612.1	Flange Bolt M6 × 12, Black	3
62	152.200800.09.2	Decorative Plate	1
63	152.070031.00	Jacket, LPG Hose	3
64	65250.0.10.2	Frame, 700 × 566 × 585	1
65	1.6177.1.10	Lock Nut M10, Flange	4
66	152.201200.03	Motor Mount 1	2
67	2.16.001	Pin Ø2 × 33, "R" Shape	2
68	152.201701.09	9.5 in. Wheel	2
69	122.201501.25	Pin Roll, Wheel, Ø16 × Ø10 × 107	2
70	152.201200.04	Motor Mount 2	2
71	1.5789.0816	Flange Bolt M8 × 16	2
72	152.200002.01.2	Support Leg 84 mm	1
73	152.201400.00	Rubber, Support	2
74	1.5789.0825	Flange Bolt M8 × 25	2
75	1.9074.3.0510	Screw/Washer Assembly M5 × 10	2
76	1.6177.1.05	Lock Nut M5, Flange	2
77	9.1000.150	Battery 12V15AH	1
78	152.200904.00	Pinch, Rubber	1
79	5.1900.014	Black Wire, 320 mm, Battery	1
80	5.1900.021	Red Wire, 480 mm, Battery	1
81	152.200013.02.3	Jacket, Wire, Red	2
82	152.200013.02	Jacket, Wire, Black	1
83	152.201004.00	Lock Catch	2
84	152.200019.00.48	Switch Handle, Yellow	1
85	1.6170.03	Nut M3	1
86	5.1050.000	Switch	1
87	1.819.1.0330	Screw M3 × 30	1
88	2.06.032	Clip Ø17	2
89	1.6182.05	Lock Nut M5	1

#	Part Number	Description	Qty.
90	122.070032.00	Sleeve, Knob	1
91	122.070025.02	Knob	1
92	1.823.0408	Screw M4 × 8	2
93	122.074000.01	Cut-off Valve, B	1
94	152.070012.05	Pipe, 40 mm	1
95	2.08.055	Bolt M6 × 14	3
96	47.130021.01	LPG Hose With Regulator 3.3 ft.	1
97	9.1500.002	Sleeve, Connector	1
98	47.136000.01	Pressure Reducing Valve	1
99	152.070012.06	Pipe, 750 mm	1
100	152.200018.01	Supporter	1
101	152.070031.01	Jacket, Fuel Hose	1
102	2.06.023	Clamp Ø20	2
103	1.845.4816	Screw ST4.8 × 16	2
104	2.06.050	Clamp Ø8 × Ø18	1
105	1.845.3513	Screw ST3.5 × 13	1
106	122.070400.06	Fuel Valve	1
107	152.070011.09	Fuel Pipe, 480 mm	1
108	152.199.14.2	Control Panel	1
109	5.1000.001.3	Ignition Switch, Red	1
110	1.9074.4.0512.1	Screw/Washer Assembly M5 × 12, Black	6
111	5.1120.008	Receptacle L5-30R	1
112	1.5783.0622.3	Bolt M6 × 22, Green	1
113	1.6175.06.3	Nut M6, Green	2
114	1.97.1.06.3	Washer Ø6, Green	2
115	1.93.06.3	Lock Washer Ø6, Green	2
116	5.1120.009	Receptacle L14-30R	1
117	5.1120.050	Receptacle 5-20R, Duplex, GFCI	2
118	5.1210.920	20Amp Circuit Breaker, Push Button, CSA	2
119	5.1240.330	33Amp Circuit Breaker, Double Pole	1
120	1.9074.4.0306.1	Screw/Washer Assembly M3 × 6, Black	4
121	5.1810.003	VFO Diode	1

#	Part Number	Description	Qty.
122	1.823.0514	Screw M5 × 14	3
123	5.1800.004	Rectifier	1
124	5.1820.009	Charger	1
125	5.1000.000.3	Battery Switch, Red	1
126	5.1430.005	Intelligauge	1
127	1.9074.4.0414.1	Screw/Washer Assembly M4 × 14, Black	2
128	1.6177.1.04.1	Flange Lock Nut M4, Black	10
129	1.5789.0615.1	Flange Bolt M6 × 15, Black	4
130	152.210002.17	Control Box	1
131	100297.21.10	Wire Assembly	1
132	122.210003.01	Wire Jacket, Control Box	1
133	5.1330.017	Sheath, Wire, Ø16 × 300 mm	1
134	152.210003.02	Plug, Control Box	1
135	5.1280.003	Fuse, 10A	1
136	5.1280.008	Fuse, 5A	1
137	100297.21	Control Panel Assembly	1
138	152.100007.00	Insulation Board, Motor Mount	1

ENGINE PARTS DIAGRAM



ENGINE PARTS LIST

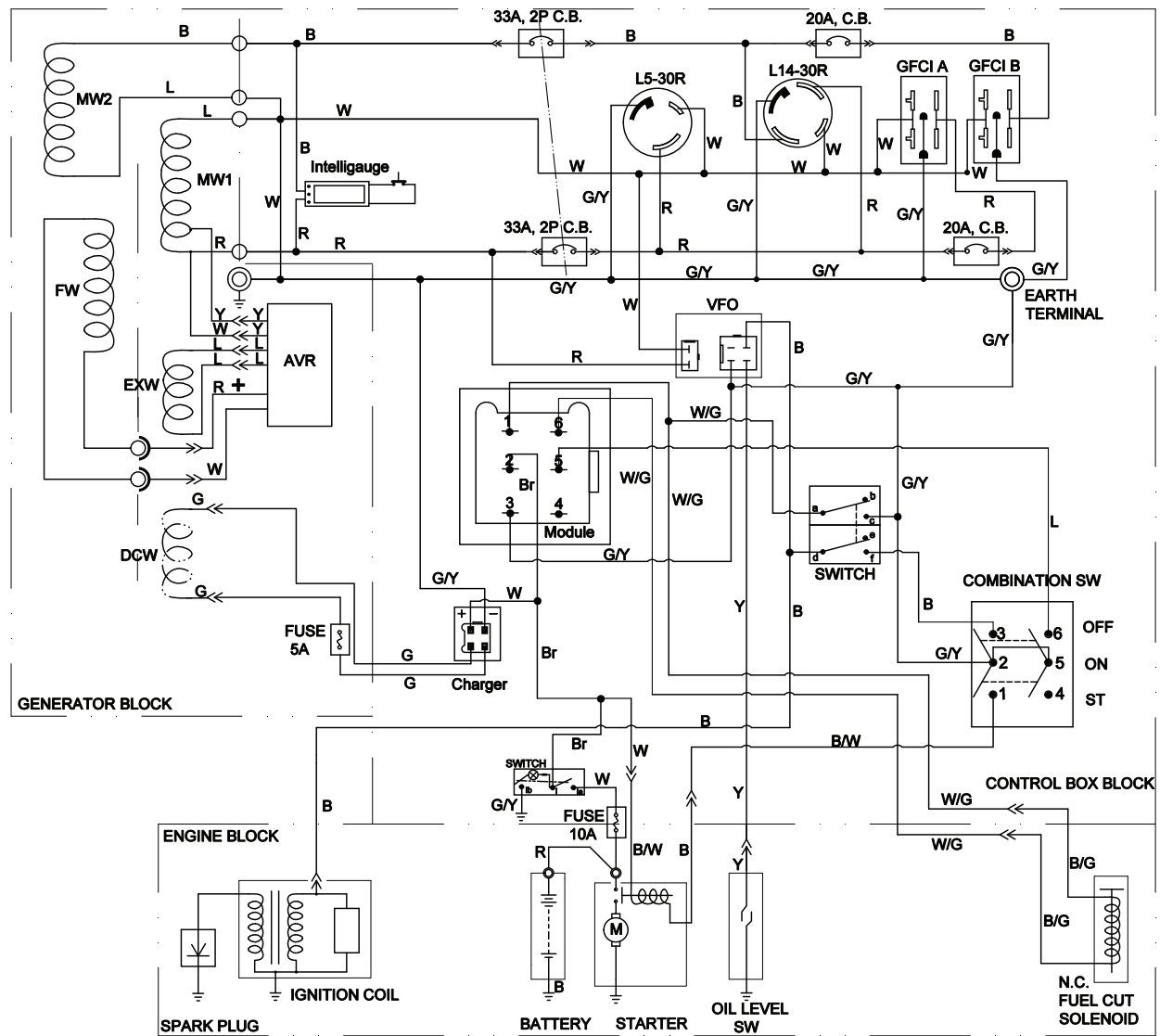
#	Part Number	Description	Qty.
1	21.061300.00	Handle, Recoil, Soft	1
2	1.5789.0608	Flange Bolt M6 × 8	3
3	46.061100.00.2	Cover, Recoil Starter, Black	1
4	45.060005.00	Spring, Recoil Starter	1
5	45.061102.00	Reel, Recoil Starter	1
6	2.10.003.1	Rope Ø4 × 1550, Black	1
7	45.060003.00	Spring, Ratchet	2
8	45.060002.00	Starter Ratchet, Steel	2
9	45.060009.00	Spring, Ratchet Guide	1
10	45.060007.00	Ratchet Guide	1
11	45.060008.00	Screw, Ratchet Guide	1
12	1.5789.0612	Flange Bolt M6 × 12	12
13	2.05.009	Clamp Ø12.5 × 7	2
14	47.080100.01.48	Fan Cover, Yellow	1
15	2.02.007	Nut M16 × 1.5	1
16	1.5789.0629	Flange Bolt M6 × 29	2
17	45.060001.00	Pulley, Starter	1
18	46.123000.03	Ignition Coil	1
19	48.080001.00	Cooling Fan	1
20	46.120100.05	Flywheel	1
21	46.091000.03.2	Air Cleaner Assembly, Black	1
22	46.061000.00	Recoil Assembly	1
23	2.11.007	Oil Seal Ø35 × Ø52 × 8	2
24	2.05.050	Wire Clip 100 mm	1
25	152.070031.01	Sheath, Wire	1
26	2.03.023	Washer Ø12.5 × Ø20 × 2, Drain Bolt	1
27	48.030100.00	Crankcase	1
28	45.127000.02	Oil Level Sensor	1
29	1.5789.0615	Flange Bolt M6 × 15	2
30	1.276.6202	Bearing 6202	2

#	Part Number	Description	Qty.
31	48.050006.00	Weight Balancer	1
32	47.050100.01	Crankshaft Assembly	1
33	46.030008.00	Gasket, Crankcase Cover	1
34	2.04.001	Dowel Pin Ø9 × 14	2
35	46.080600.00	Air Guide, Right Side	1
36	1.276.6207	Bearing 6207	1
37	46.031000.01.48	Oil Dipstick Assembly, Yellow	1
38	45.030007.00	Cover, Crankcase	1
39	1.5789.0840	Flange Bolt M8 × 40	7
40	2.03.021.1	Washer Ø6.4 × Ø13 × 1, Black	1
41	45.110013.00	Shaft, Governor Gear	1
42	45.110100.00	Gear, Governor	1
43	21.110011.00	Clip, Governor Gear	1
44	45.110012.00	Bushing, Governor Gear, Steel	1
45	47.050200.00	Connecting Rod Assembly	1
46	48.050005.00	Piston	1
47	2.09.004	Circlip Ø21 × Ø1	2
48	45.050003.00	Pin, Piston	1
49	48.050303.00	Ring, Oil	1
50	48.050302.00	Ring, Second Piston	1
51	48.050301.00	Ring, First Piston	1
52	2.04.004	Dowel Pin Ø12 × 20	2
53	48.030009.00	Gasket, Cylinder Head	1
54	46.080400.00	Air Guide, Lower	1
55	47.010100.01	Cylinder Head	1
56	2.01.010	Stud Bolt M8 × 35	2
57	2.15.002(F6RTC)	Spark Plug F6RTC	1
58	2.08.122	Flange Bolt M10 × 95	4
59	46.020002.00	Gasket, Cylinder Head Cover	1
60	47.021000.00	Cover, Cylinder Head	1

#	Part Number	Description	Qty.
61	45.020001.02	Breather Tube	1
62	47.020100.00	Bolt, Cylinder Head Cover	1
63	2.08.039	Drain Bolt M12 × 1.5 × 15	1
64	48.041000.00	Camshaft	1
65	48.040013.00	Lifter, Intake Valve	1
66	47.040002.00	Valve, Intake	1
67	47.040006.00	Valve, Exhaust	1
68	46.040005.00	Push Rod	2
69	45.040015.00	Retainer, Valve Spring	2
70	45.040017.00	Oil Seal, Valve	2
71	45.040003.00	Spring, Valve	2
72	23.040010.00	Bolt, Rocker Arm	2
73	45.040001.00	Retainer, Intake Valve Spring	1
74	45.040007.00	Retainer, Exhaust Valve Spring	1
75	45.040008.00	Rotator, Exhaust Valve	1
76	46.040004.00	Guide Plate, Push Rod	1
77	46.040016.00	Shaft, Rocker Arm	1
78	46.040201.00	Retainer, Rocker Arm	1
79	46.040009.00	Rocker Arm, Intake Valve	1
80	46.040018.00	Rocker Arm, Exhaust Valve	1
81	1.97.1.06	Washer Ø6	2
82	22.040012.00	Screw, Valve Adjustment	2
83	1.6177.1.06	Flange Nut M6	2
84	21.040021.00	Nut M6 × 0.5, Lock	2
85	2.01.008	Stud Bolt M6 × M8 × 105	2
86	46.130002.20	Gasket, Insulator	1
87	45.130001.00	Insulator, Carburetor	1
88	46.130003.20	Gasket, Carburetor	1
89	48.131000.12	Carburetor	1
90	46.130004.20	Gasket, Air Cleaner	1
91	1.6177.06	Flange Nut M6	3
92	46.091100.03	Base, Air Cleaner	1

#	Part Number	Description	Qty.
93	45.091002.20	Seal, Air Cleaner	1
94	45.091001.20	Separator, Air Cleaner	1
95	45.091003.20	Element, Air Cleaner	1
96	46.091200.04	Cover, Air Cleaner	1
97	1.5789.0835	Flange Bolt M8 × 35	2
98	45.125100.00	Starter Motor	1
99	45.125200.01	Relay, Starter	1
100	1.93.05	Lock Washer Ø5	2
101	1.16674.0516	Flange Bolt M5 × 16	2
102	45.110001.00	Shaft, Governor Arm	1
103	2.03.019	Washer Ø8.2 × Ø17 × 0.8	1
104	2.11.006	Oil Seal Ø7 × Ø14 × 5	1
105	45.110008.00	Pin, Shaft	1
106	45.110003.01	Arm, Governor	1
107	2.08.040	Bolt M6×21, Governor Arm	1
108	45.110006.00	Rod, Governor	1
109	45.110005.00	Spring, Throttle Return	1
110	45.110007.01	Spring, Governor	1
111	46.080300.20	Air Guide, Upper	1
112	48.131017.01	Standard Main Jet	1
	48.131017.01.01	Altitude Main Jet	
113	45.040013.00	Lifter, Exhaust Valve	1
114	45.125000.01	Starter Motor Assembly	1
115	46.040200.00	Rocker Arm Assembly	1
116	47.010000.01	Cylinder Head Assembly	1
117	1.6177.1	Flange Nut M5	6

WIRING DIAGRAM



SWITCH

	b	a	c	e	d	f
GAS	○	○			○	○
LPG	○	○			○	○

COMBINATION SWITCH

	1	2	3	4	5	6
OFF		○	○			○
ON						
ST	○	○				○

B	BLACK	Br	BROWN
Y	YELLOW	B/W	BLACK WHITE
L	BLUE	W/G	WHITE GREEN
G	GREEN	G/Y	GREEN YELLOW
R	RED	W/L	WHITE BLUE
W	WHITE	B/G	BLACK GREEN