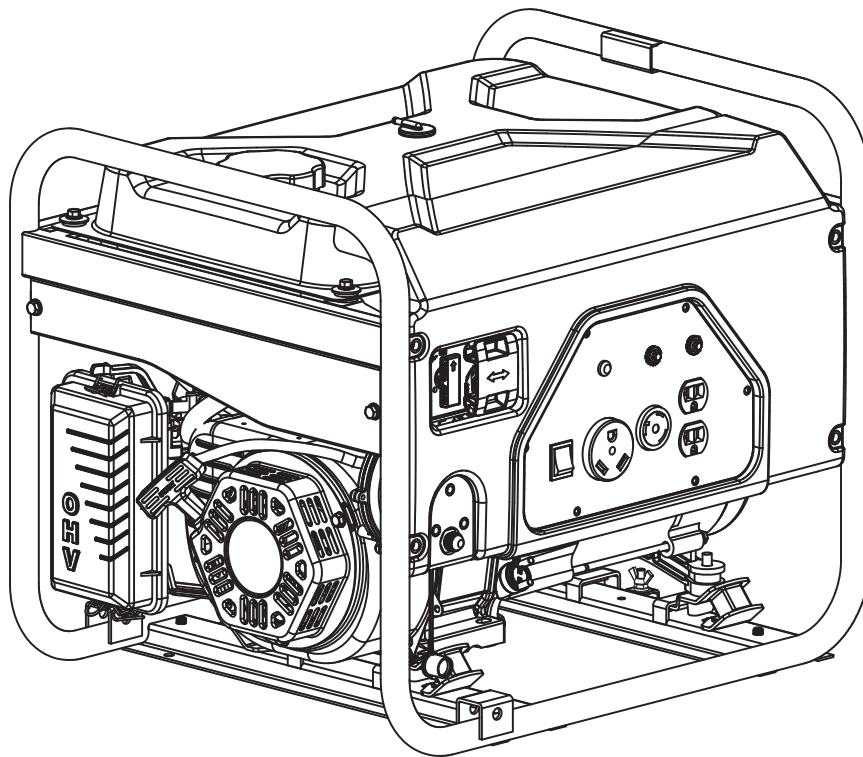


Champion Power Equipment, Inc., Santa Fe Springs, CA USA

MODEL #100479



PARTS INFORMATION

3500W DUAL FUEL GENERATOR

SERIAL NUMBER RANGE: ALL

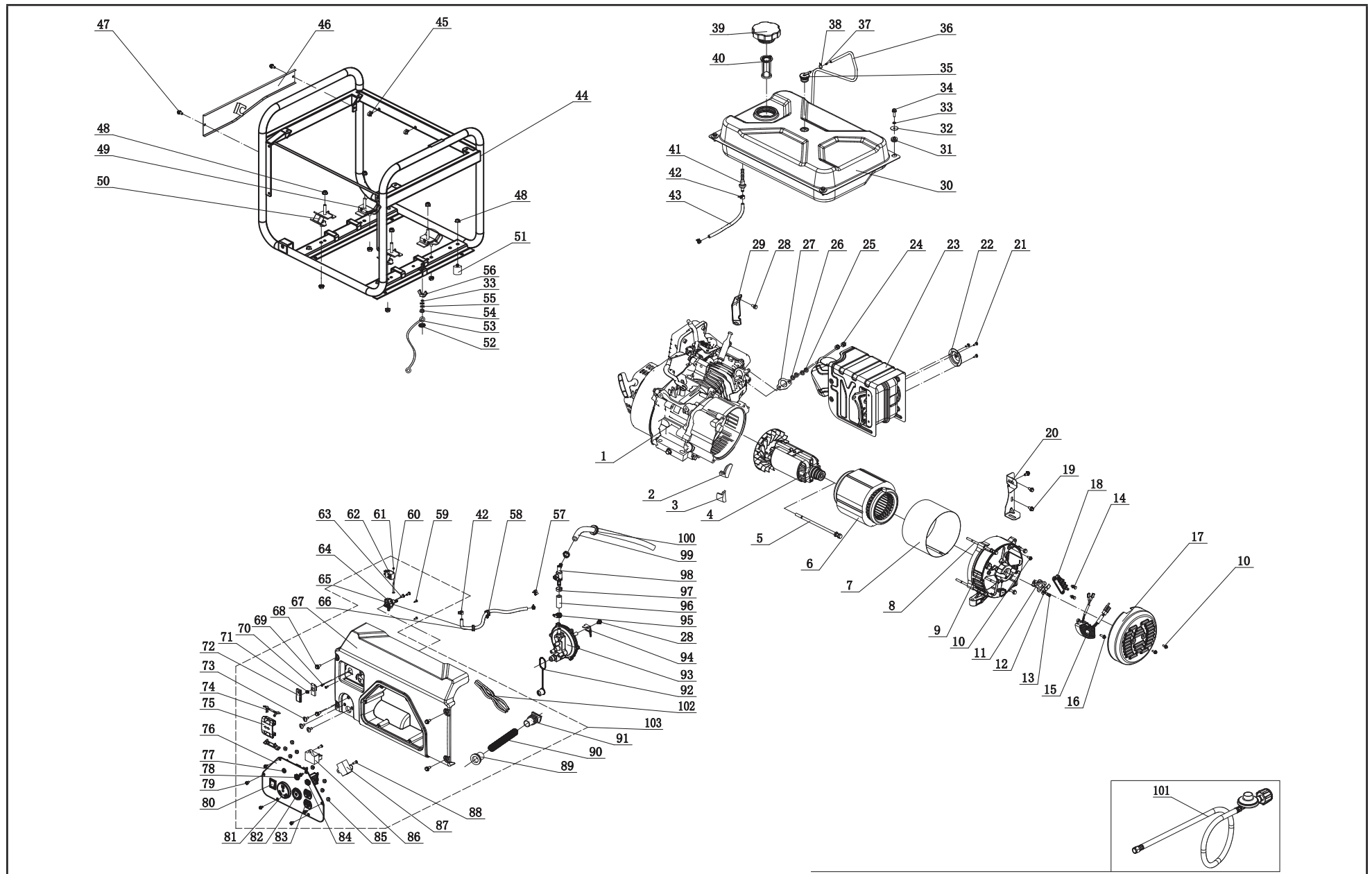
An icon depicting a person wearing a headset and holding a wrench, with an arrow pointing to a box, symbolizing customer support and parts ordering.

To order replacement parts please visit:
shop.championpowerequipment.com
or call **1-877-338-0999**.

TABLE OF CONTENTS

Generator Parts Diagram	3
Generator Parts List	4
Engine Parts Diagram	6
Engine Parts List	7
Wiring Diagram	9

GENERATOR PARTS DIAGRAM



GENERATOR PARTS LIST

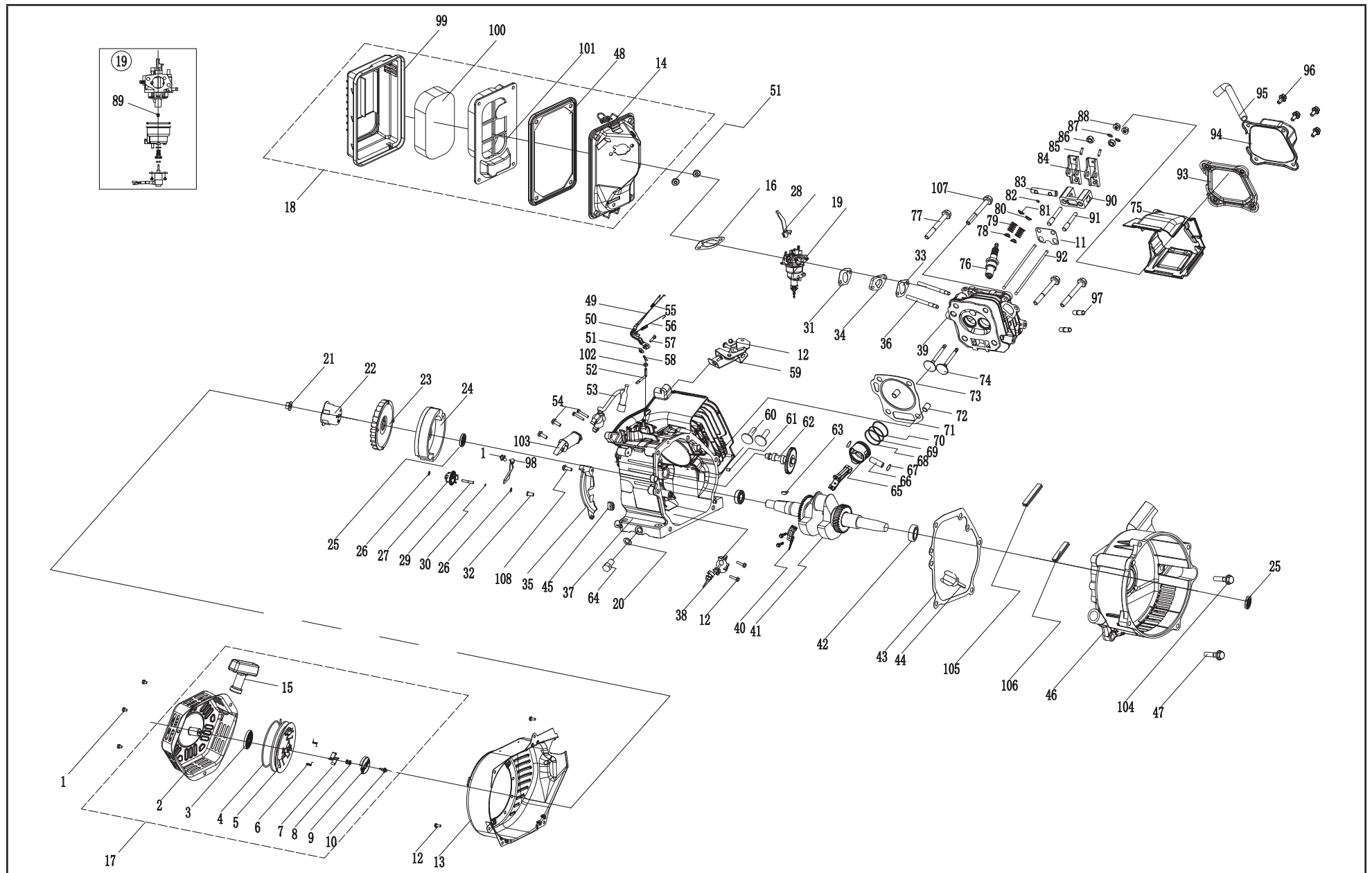
#	Part Number	Description	Qty
1	27.492	Engine, 224cc	1
2	122.190005.00	Rubber, Fore-Cover, B	1
3	122.190005.01	Rubber, Fore-Cover, A	1
4	124.191100.02	Rotor Assembly, Al, Ø160 × 130 mm, CSA	1
5	2.08.109	Flange Bolt/Washer Assembly M8 × 252	1
6	124.191200.02	Stator Assembly, Al, Ø160 × 130 mm, CSA	1
7	124.191002.01	Stator Cover	1
8	2.08.032	Flange Bolt/Washer Assembly M6 × 179	4
9	122.190002.00	End Housing	1
10	1.16674.0512.2	Flange Bolt M5 × 12	3
11	122.190300.00	Carbon Brush Assembly	1
12	122.190004.01	Pinch, Carbon Brush	1
13	1.9074.15.0520	Bolt/Washer Assembly M5 × 20	1
14	1.9074.17.0516	Screw/Washer Assembly M5 × 16	2
15	122.190200.03	AVR	1
16	1.16674.0516	Flange Bolt M5 × 16	2
17	122.190003.00.48	Generator End Cover, Yellow	1
18	122.190400.00	Terminal Block	1
19	1.5789.0615	Flange Bolt M6 × 15	3
20	27.100100.01	Bracket, Muffler	1
21	1.823.0406	Screw M4 × 6	3
22	27.101300.00	Spark Arrester Assembly	1
23	27.101000.01.2	Muffler Assembly	1
24	1.6175.08	Nut M8	2
25	1.93.08	Lock Washer Ø8	2
26	1.848.08	Washer Ø8	2
27	26.100001.00	Gasket, Exhaust	1
28	1.5789.0608	Flange Bolt M6 × 8	2
29	23.090006.21	Holder, Air Cleaner	1
30	122.071000.31.48	Fuel Tank, 13L, Yellow	1

#	Part Number	Description	Qty
31	122.070015.01	Mount Vibration, Fuel Tank	4
32	2.03.004.1	Flat Washer, Ø24 × Ø6.5 × 1.5, Black	4
33	1.93.06	Lock Washer Ø6	5
34	1.5789.0620.1	Flange Bolt M6 × 20, Black	4
35	24.070800.00	Reversal Valve	1
36	122.070014.02	Pipe, Reversal Valve, 670 mm	1
37	24.070030.00	Hole, Breather Tube	1
38	2.06.006	Clamp Ø7 × Ø1	1
39	122.070100.07	Fuel Tank Cap	1
40	122.070300.03	Fuel Filter	1
41	21.070600.01	Fitting, Fuel Tank	1
42	2.06.016	Clamp Ø8.7 × b8	4
43	122.070011.08	Fuel Pipe 245+25 mm, Fuel Tank to Fuel Valve	1
44	62341.29.16.2	Frame, 590 x 486 x 502 mm	1
45	2.05.001	Clamp Ø8 × 6.5	2
46	122.200800.05.2	Decorative Plate, Black	1
47	1.5789.0612.1	Flange Bolt M6 × 12, Black	2
48	1.6177.1.08	Lock Nut M8, Flange	12
49	122.201200.07	Motor Mount 2	2
50	122.201200.06	Motor Mount 1	2
51	122.201400.01	Rubber, Support	4
52	1.862.06	Lock Washer Ø6, Toothed	1
53	5.1900.029	Grounding Line 150 mm, CSA	1
54	1.6177.1.06	Lock Nut M6, Flange	1
55	1.97.1.06	Washer Ø6	2
56	1.62.06	Butterfly Type Nut M6	1
57	2.05.005	Clamp Ø6	1
58	2.05.009	Clamp Ø12.5 × 7	1
59	1.845.3513	Screw ST3.5 × 13	2

#	Part Number	Description	Qty
60	1.819.1.0330	Screw M3 × 30	1
61	1.6170.03	Nut M3	1
62	5.1050.000	Switch	1
63	1.845.4816	Screw ST4.8 × 16	2
64	122.070400.06	Fuel Valve	1
65	122.070011.09	Fuel Pipe, Fuel Valve to Carburator, 395+33 mm	1
66	152.070031.01	Jacket, Fuel Hose	1
67	122.210002.24	Control Box	1
68	1.5789.0615.1	Flange Bolt M6 × 15, Black	4
69	1.819.0408	Screw M4 × 8	2
70	122.070025.02	Knob	1
71	1.6182.05	Lock Nut M5	1
72	122.070032.00	Sleeve, Knob	1
73	2.08.055	Bolt M6 × 14	3
74	152.201004.00	Lock Catch	2
75	152.200019.00.48	Switch Handle, Yellow	1
76	122.19.9.2	Control Panel, Black	1
77	5.1460.016	Indicator light, Green	1
78	5.1210.930	30Amp Circuit Breaker, Push Button, CSA	1
79	1.9074.4.0512.1	Screw/Washer Assembly M5 × 12, Black	6
80	5.1000.004.3	Ignition Switch, Red	1
81	5.1120.036	Receptacle TT-30R	1
82	5.1120.023	Receptacle L5-30R, CSA	1
83	5.1120.027	Receptacle 5-20R Duplex, CSA	1
84	5.1210.920	20Amp Circuit Breaker, Push Button, CSA	1
85	1.6177.1.04.1	Lock Nut M4, Flange, Black	8
86	5.1810.004	VFO Diode, CSA	1
87	5.1820.004	Charger	1
88	1.818.0514.2	Screw M5 × 14	2
89	122.210003.02	Wire Jacket, Control Box, CSA	1
90	5.1320.012	Sheath, Wire, CSA	1

#	Part Number	Description	Qty
91	122.210003.04	Plug, End Cover, CSA	1
92	9.1500.002	Sleeve, Connector	1
93	26.136000.06	Pressure-reducing Valve	1
94	122.200018.00	Supporter	1
95	2.06.023	Clip Ø20	2
96	152.070012.05	Pipe 40 mm	1
97	2.06.032	Clip Ø17	2
98	122.074000.02	Cut-off Valve	1
99	122.070012.05	Pipe 380 mm	1
100	152.070031.00	Jacket, LPG Hose	1
101	26.130021.06	LPG Hose With Regulator 3.3 ft.	1
102	100479.21.10	Wire Assembly	1
103	100479.21	Control Panel Assembly	1

ENGINE PARTS DIAGRAM



ENGINE PARTS LIST

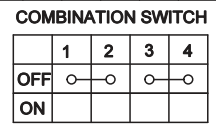
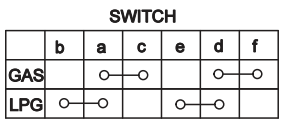
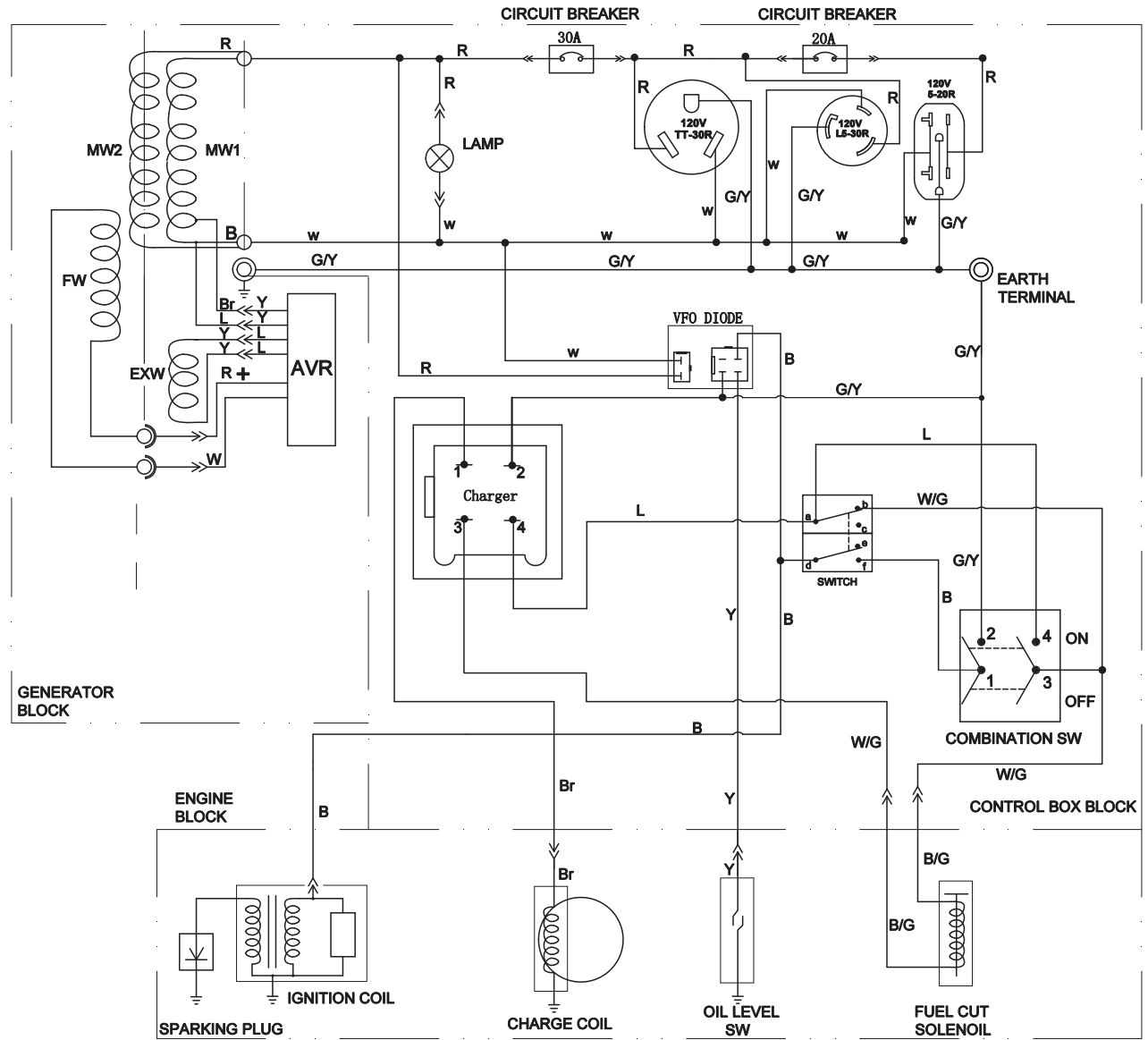
#	Part Number	Description	Qty
1	1.5789.0608	Flange Bolt M6 × 8	4
2	22.061100.00.2	Cover, Recoil Starter, Black	1
3	21.061005.00	Spring, Recoil Starter	1
4	2.10.003.1	Rope Ø4 × 1550, Black	1
5	21.061001.01	Reel, Recoil Starter	1
6	45.060003.00	Spring, Ratchet	2
7	45.060002.00	Starter Ratchet, Steel	2
8	45.060009.00	Spring Guide, Ratchet	1
9	45.060007.00	Ratchet Guide	1
10	45.060008.00	Screw, Ratchet Guide	1
11	24.040004.00	Guide Plate, Push Rod	1
12	1.5789.0612	Flange Bolt M6 × 12	8
13	27.080100.07.48	Fan Cover, Yellow	1
14	24.091100.21	Base, Air Cleaner	1
15	21.061300.00	Handle, Recoil, Soft	1
16	24.130004.20	Gasket, Air Cleaner	1
17	22.061000.00	Recoil Assembly	1
18	27.091000.02	Air Cleaner Assembly	1
19	27.131000.13	Carburetor	1
20	2.03.016	Washer Ø10 × Ø16 × 1.5, Drain Bolt	1
21	2.02.006	Nut M14 × 1.5	1
22	83.060001.01	Pulley, Starter	1
23	27.080001.00	Cooling Fan	1
24	24.120100.11	Flywheel	1
25	2.11.001	Oil Seal Ø25 × Ø41.3 × 6	2
26	2.03.020.1	Washer Ø6.2 × Ø15 × 0.5, Black	2
27	21.110100.00	Gear, Governor	1
28	23.130100.20	Choke Lever	1
29	21.110013.00	Shaft, Governor Gear	1
30	21.110011.00	Clip, Governor Gear	1

#	Part Number	Description	Qty
31	22.130003.00	Gasket, Carburetor	1
32	21.110012.01	Bushing, Governor Gear, Steel	1
33	24.130002.00	Gasket, Insulator	1
34	27.130001.00	Insulator, Carburetor	1
35	23.080600.01	Air Guide, Right Side	1
36	2.01.003	Stud Bolt M6 × 90	2
37	27.030100.01	Crankcase	1
38	21.127000.02	Oil Level Sensor	1
39	26.010100.01	Cylinder Head, 224cc	1
40	27.050200.00	Connecting Rod	1
41	27.050100.00	Crankshaft	1
42	1.276.6205	Bearing 6205	2
43	24.030008.00	Gasket, Crankcase Cover	1
44	22.031000.00.48	Oil Dipstick Assembly, Yellow	1
45	45.030032.00	Sheath, Wire	1
46	27.030007.01	Cover, Crankcase	1
47	1.5789.0832.0.8	Flange Bolt M8 × 32	5
48	23.091002.21	Seal, Air Cleaner	1
49	23.110006.00	Rod, Governor	1
50	27.110003.00	Arm, Governor	1
51	1.6177.06	Flange Nut M6	3
52	21.110001.00	Shaft, Governor Arm	1
53	22.123000.02	Ignition Coil, Silicon Rubber	1
54	1.5789.0625	Flange Bolt M6 × 25	4
55	23.110005.01	Spring, Throttle Return	1
56	23.110007.00	Spring, Governor	1
57	2.08.040	Bolt M6 × 21, Governor Arm	1
58	21.110008.00	Pin, Shaft	1
59	27.111000.20	Control Assembly	1
60	25.040013.00	Lifter, Valve	2

#	Part Number	Description	Qty
61	2.04.001	Dowel Pin Ø9 × 14	2
62	27.041000.01	Camshaft	1
63	2.14.012	Woodruff Key 4 × 7.5 × 19	1
64	2.08.037	Drain Bolt M10 × 1.25 × 25	1
65	27.050005.00	Piston	1
66	23.050003.00	Pin, Piston	1
67	2.09.001	Circlip Ø18 × Ø1	2
68	27.050303.00	Ring, Oil	1
69	27.050302.00	Ring, Second Piston	1
70	27.050301.00	Ring, First Piston	1
71	27.030009.01	Gasket, Cylinder Head	1
72	2.04.003	Dowel Pin Ø10 × 14	2
73	23.040002.02	Valve, Intake	1
74	27.040006.00	Valve, Exhaust	1
75	27.080200.00	Air Shroud, Cylinder	1
76	2.15.002(F6RTC)	Spark Plug F6RTC	1
77	1.5789.0865	Flange Bolt M8 × 65	3
78	23.040017.00	Oil Seal, Valve, Iron	2
79	21.040003.00	Spring, Valve	2
80	21.040007.00	Retainer, Exhaust Valve Spring	1
81	21.040001.00	Retainer, Intake Valve Spring	1
82	21.040008.00	Rotator, Exhaust Valve	1
83	24.040202.00	Shaft, Rocker Arm	1
84	22.040009.00	Rocker Arm, Intake Valve	2
85	22.040012.00	Screw, Valve Adjustment	2
86	21.040021.00	Nut M6 × 0.5, Lock	2
87	1.97.1.06	Washer Ø6	2
88	1.6177.1.06	Flange Nut M6	2
89	27.131017.01	Standard Main Jet	1
	27.131017.01.01	Altitude Main Jet	/
90	24.040201.00	Retainer, Rocker Arm	1
91	23.040010.00	Bolt, Rocker Arm	2

#	Part Number	Description	Qty
92	27.040005.00	Push Rod	2
93	21.020002.01	Gasket, Cylinder Head Cover	1
94	24.021000.00	Cover, Cylinder Head	1
95	23.020001.02	Breather Tube 112 + 35	1
96	1.5789.0615	Flange Bolt M6 × 15	4
97	2.01.010	Stud Bolt M8 × 35	2
98	23.030006.00	Plate, Coil	1
99	27.091200.01	Cover, Air Cleaner	1
100	23.091003.21	Element, Air Cleaner	1
101	23.091001.21	Separator, Air Cleaner	1
102	2.03.021.1	Washer Ø6.4xØ13 × 1, Black	1
103	45.121000.00	Coil, Charging	1
104	2.08.123	Flange Bolt M8 × 40	1
105	27.030013.00	Seal Strip, Crankcase Cover, Long	1
106	27.030013.01	Seal Strip, Crankcase Cover, Short	1
107	2.08.121	Flange Bolt M10 × 65	1
108	1.5789.0620	Flange Bolt M6 × 20	1

WIRING DIAGRAM



B	BLACK	Br	BROWN
Y	YELLOW	B/W	BLACK WHITE
L	BLUE	W/G	WHITE GREEN
G	GREEN	G/Y	GREEN YELLOW
R	RED	W/L	WHITE BLUE
W	WHITE	B/G	BLACK GREEN