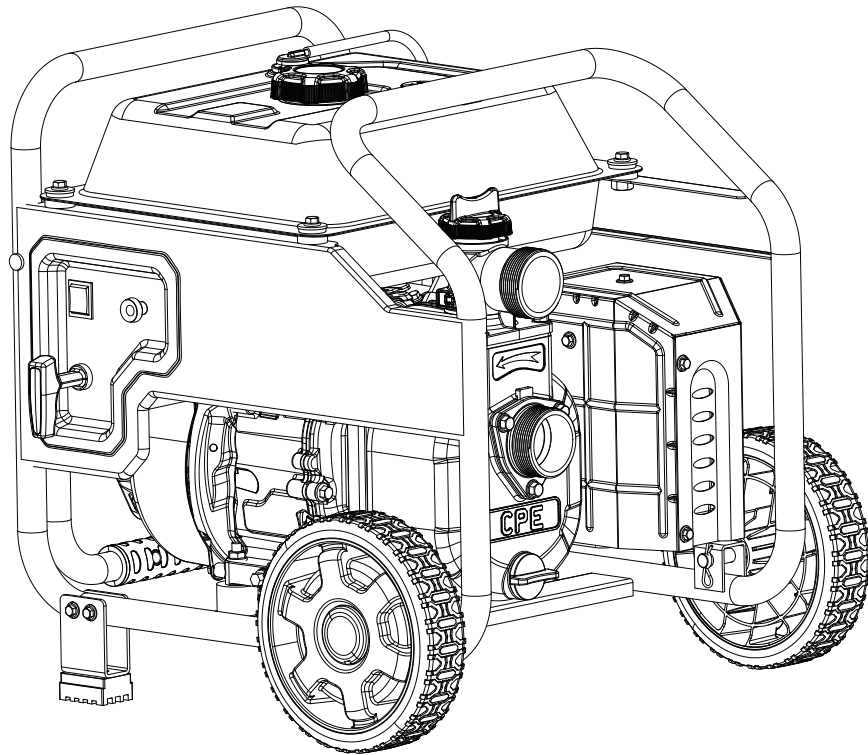


Champion Power Equipment, Inc., Santa Fe Springs, CA USA

MODEL #100742



PARTS INFORMATION

2 IN. (5 CM) SEMI-TRASH PUMP

SERIAL NUMBER RANGE: ALL

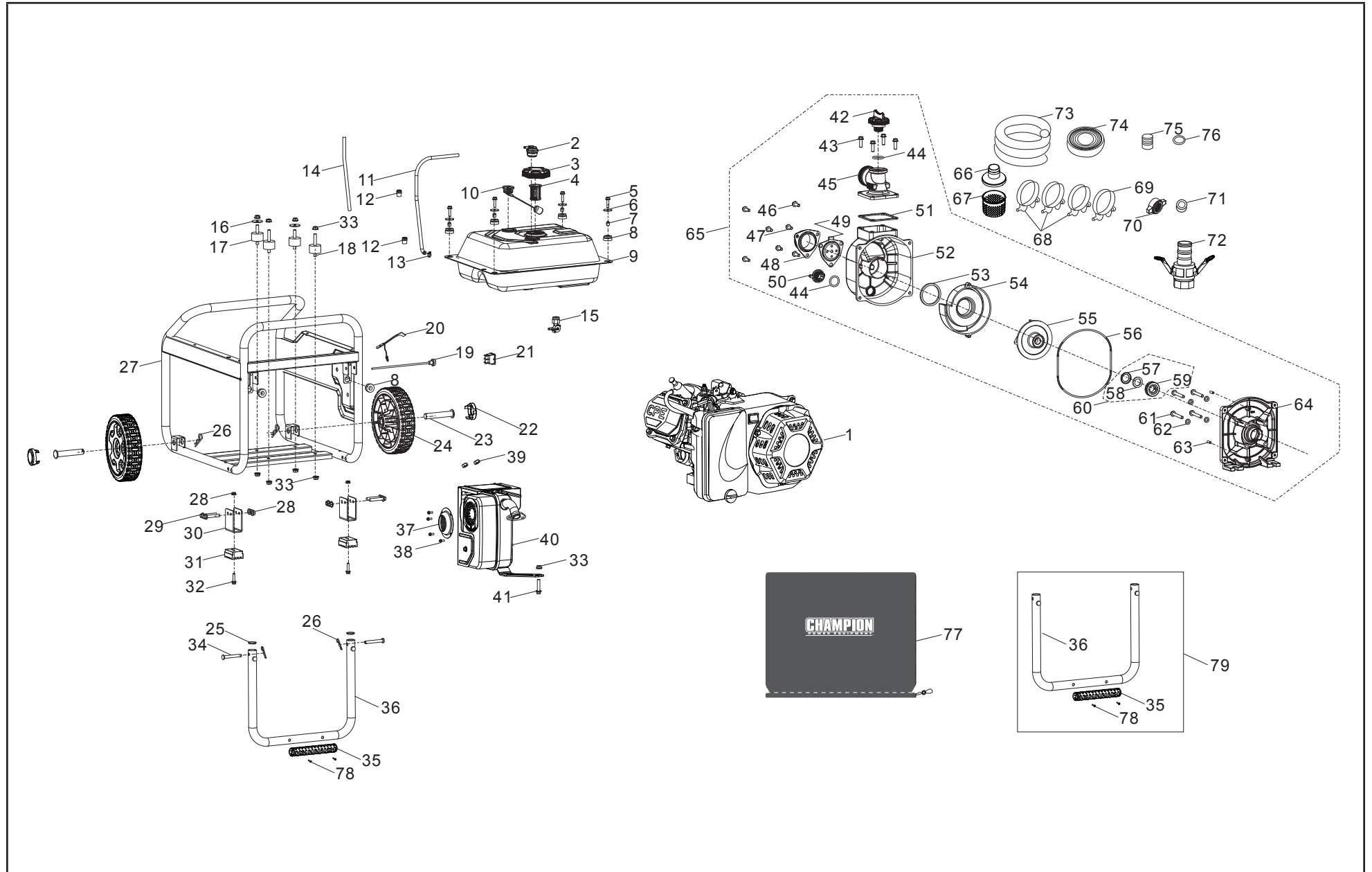


To order replacement parts please visit:
shop.championpowerequipment.com
or call **1-877-338-0999**.

TABLE OF CONTENTS

Trash Pump Parts Diagram	3
Trash Pump Parts List.....	4
Engine Parts Diagram	6
Engine Parts List	7

TRASH PUMP PARTS DIAGRAM



TRASH PUMP PARTS LIST

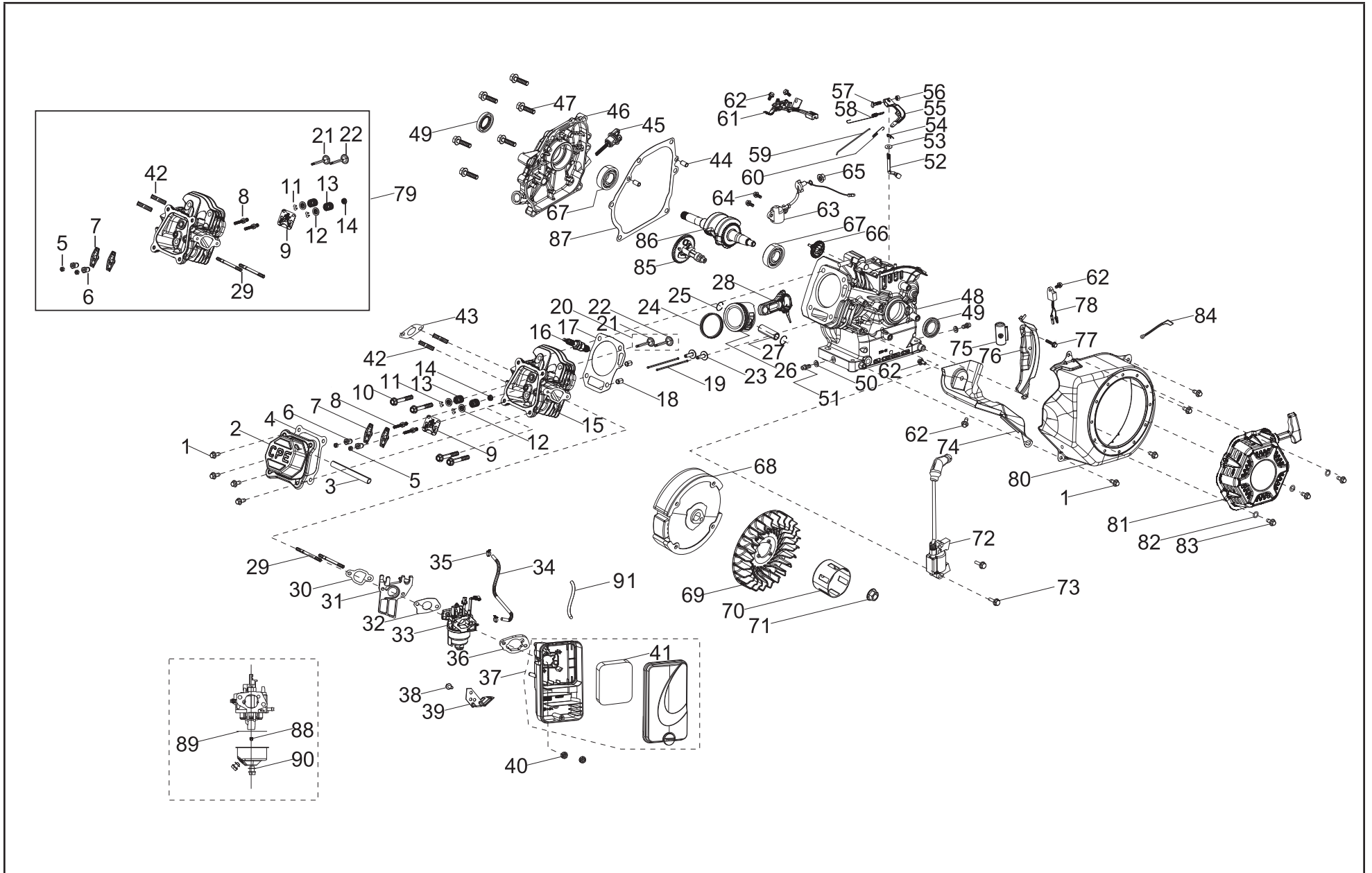
#	Part Number	Description	Qty.
1	R210MP000Q3-CMP303	Engine, 212cc	1
2	15150-Y1Z0110-00A0	Valve, One Way	1
3	16730-Z810110-0001	Fuel Tank Cap	1
4	16652-Z0M0110-00A1	Fuel Filter	1
5	90007-0625-0301	Hexagon Flange Bolt, M6 x 25, Black Zinc	4
6	90408-Y020110-0006	Flat Washer, Black Zinc	4
7	90683-Y020210-0000	Bushing	4
8	16601-Y020120-0001	Rubber, Fuel Tank	6
9	16600-V580110-L400	Fuel Tank Assembly	1
10	37200-Y1Y0110-00A1	Fuel Gauge	1
11	16804-V580110-0001	Fuel Steam Rubber Hose	1
12	90698-Y1Z0110-0001	Protective Rubber Sleeve	2
13	90685-Z030410-0001	Clamp, Ø10.7 x 0.6 x 8	1
14	30431-YBW0210-0000	Rubber Sleeve	1
15	16750-Y900111-0001	Fuel Valve Assembly	1
16	90406-0800-E109	Flat Washer	2
17	51005-V580110-0000	Vibration Mount 1, Frame	2
18	51005HV090210-0000	Vibration Mount 2, Frame	2
19	16080-V580110-0001	Choke Handle Subassembly	1
20	35541-V330310-0000	Engine Stop Wire	1
21	35160-Y450110-0000	Switch Assembly	1
22	44001-V580110-L401	Cover, Hub Decorated	2
23	44020-V580110-0300	Roll Pin, L=96, Black Zinc	2
24	44110-V580110-0000	Wheel	2
25	90722-Y9X0110-0000	End Plug	2
26	90583-YGK0110-03A0	R Pin, Black Zinc	4
27	51100-V580110-H7A0 SN: ≤20MAY2500700	Frame Assembly, Ø25, 510 x 395 x 450	1
	51100-V580111-H7A0 SN: 21FEB1900001+		

#	Part Number	Description	Qty.
28	90305-0600-0301	Hexagon Flange Nut, M6, Black Zinc	6
29	90001-0640-0301	Hexagon Flange Bolt, M6 x 40, Black Zinc	4
30	51016-V580110-H700	Support Leg	2
31	51014HY3Y0110-0000	Vibration Mount, Support Leg	2
32	90001-0625-0306	Hexagon Flange Bolt, M6 x 25, Black Zinc	2
33	90305-0800-0102	Hexagon Flange Nut, M8, Blue White Zinc	9
34	53438-V580110-QCA0	Pin Shaft, Ø8 x 65	2
35	54110-V580110-H7A0 SN: ≤20JUN0700265	Handle Sheath	1
	54101-V580110-L400 SN: 21JUN0700265+		
36	54110-V580110-H7A0 SN: ≤20MAY2500700	Handle, Ø25 x 1.2	1
	54110-V580111-H7A0 SN: ≤20JUN0700265		
	54110-V580210-H7A0 SN: 21JUN0700265+		
37	18250-V580110-0000	Spark Arrestor	1
38	90124-Y2C0110-0100	Screw, ST4.2x9.5	4
39	90303-0800-3101	Nut, M8, Blue White Zinc	2
40	18100-V580110-H3A0	Muffler Assembly	1
41	90001-0835-0102	Hexagon Flange Bolt, M8 x 35, Blue White Zinc	1
42	70107-V580110-L400	Plug, Outlet	1
43	90001-0820-01	Hexagon Flange Bolt, M8 x 20, Blue White Zinc	4
44	70122-V260110-0000	Sealing Ring, Plug	2
45	70108-V330510-0K00	Outlet	1
46	90001-0825-01	Hexagon Flange Bolt, M8 x 25, Blue White Zinc	4

#	Part Number	Description	Qty.
47	90001-0820-01	Hexagon Flange Bolt, M8 x 20, Blue White Zinc	3
48	70116-V330110-0K00	Inlet	1
49	70115-V330110-0000	Inlet Gasket	1
50	70107-V330110-L400	Plug, Pump Body	1
51	70109-V340110-0000	Outlet Gasket	1
52	70105-V330810-0K00	Pump Body	1
53	70104-V330110-0000	Sealing Ring, Whorl Case Seal	1
54	70103-V330110-0000	Whorl Case	1
55	70102-V330210-0000	Water Pump Impeller	1
56	70119-V330110-0000	Sealing Ring, Water Pump Joint	1
57	70125-V260210-0000	Sealing Ring, Impeller	1
58	70309-V330110-0000	Friction-Piece, Silicon Carbide	1
59	70300-V330110-0000	Water Seal, Silicon Carbide	1
60	70300HV330110-0000	Seal Assembly, Mechanism	1
61	90001-V020110-0000	Hexagon Flange Bolt, 5/16-24UNF, L=60, Blue White Zinc	4
62	90409-V260110-0000	Sealing Ring, Bolt	4
63	90505-0618-00	Pin	2
64	70118-V330110-0K00	Water Pump Joint	1
65	70100-V580110-WT00	Water Pump Assembly	1
66	70113-V260210-0000	Filter Cover	1
67	70114-V260210-0000	Filter	1
68	70400-V580210-0200	Hose Clamp, Ø54-Ø57	3
69	70400-V580110-0100	Hose Clamp, Ø52-Ø55	1
70	70111-V260710-0K00	Outlet hose adapter	1
71	93161-V580110-0000	Teflon Tape	1
72	70134-V580110-0P00 SN: ≤20MAY2500700	Cam Lock Coupler	1
	202.250500.01 SN: 21FEB1900001+		

#	Part Number	Description	Qty.
73	71108-V580110-0000	Suction Hose, Green	1
74	71311-V580110-0000	Discharge Hose, Blue	1
75	70112-V260510-0000	Outlet hose fitting	1
76	70131-V260210-0000	Gasket, Hose Coupler	1
77	94026-V580110-00E0	Accessory Bag, 700 x 580 mm	1
78	90103-0416-5301	Screw, M4 x 16, Black Zinc	2
79	YLLQSE-SBG-0000	Handle Assembly	1

ENGINE PARTS DIAGRAM



ENGINE PARTS LIST

#	Part Number	Description	Qty.
1	90001-0612-0101	Hexagon Flange Bolt, M6 x 12, Blue White Zinc	8
2	12410-Z440110-0001	Cylinder Head Cover Subassembly, Blue White Zinc	1
3	17004-Z510110-0001	Breather Tube, Ø8 x Ø12 x 100	1
4	12004-Z440110-00A0	Cylinder Head Cover Gasket	1
5	14312-Z010110-0000	Valve Lock Nut	2
6	14314-Z010110-0000	Valve Adjusting Nut	2
7	14311-Z010110-0000	Valve Rocker	2
8	14313-Z010110-0000	Valve Adjusting Bolt	2
9	14090-Z010110-0000	Lifter Stopper Plate Subassembly, Blue White Zinc	1
10	12003-Z010110-0001	Cylinder Head Bolt, M8 x 60, Blue White Zinc	4
11	12109-Z810110-0000	Valve Lock Clamp	4
12	12112-Z810210-0000	Valve Spring Set	2
13	12103-Z010110-0000	Valve Spring	2
14	12101-Z810210-0000	Seal Guide	1
15	12140-Z810210-0BA0	Cylinder Head Subassembly	1
16	30010-Z010110-0000	Spark Plug	1
17	12131-Z950110-0000	Cylinder Head Gasket	1
18	90502-1114-00	Pin, 11 x 14	2
19	14071-Z440110-0000	Valve Lifter	2
20	12110-Z810120-0099	Valve Set	1
21	12121-Z810120-0000	Exhaust Valve	1
22	12111-Z810110-0000	Intake Valve	1
23	14081-Z040110-0000	Valve Tappet	2
24	13200-Z140210-00A9	Piston Ring Assembly	1
25	13122-Z010110-0000	Piston Pin Clip	2
26	13111-Z140220-0099	Piston	1
27	13121-Z010110-0000	Piston Pin, Ø18 x 54	1

#	Part Number	Description	Qty.
28	13010-Z440210-00A9	Connecting Rod	1
29	90204-Z010210-0000	Stud, M6 x 96, Black Zinc	2
30	16002-Z050110-0000	Carburetor Insulator Gasket	1
31	16003-Z010110-0000	Carburetor Insulator Plate	1
32	16001-Z010110-0000	Carburetor Gasket	1
33	16100-Z4D0111-00M0	Carburetor Assembly	1
34	90686-Z510110-00M1	Fuel Pipe, Ø4.5 x Ø8.5 x 190	1
35	90685-Z030610-01A1	Clamp, Ø8 x 7 x 0.6	2
36	17001-Z010110-0000	Air Cleaner Gasket	1
37	17100-Z810510-0000	Air Cleaner	1
38	90001-0612-0101	Hexagon Flange Bolt, M6 x 12, Blue White Zinc	1
39	17003-Y110130-0001	Air cleaner Support	1
40	90305-0600-33	Hexagon Flange Nut, M6, Black Zinc	2
41	17151-Z300310-00A0	Air Cleaner Element	1
42	90203-Z010110-0000	Stud, M8 x 34, Black Zinc	2
43	18001-Z440110-0000	Exhaust Gasket	1
44	90502-0912-00	Pin, 9 x 12	2
45	15010-Z290110-L401	Oil Dipstick Subassembly	1
46	11411-Z441311-0BA0	Crankcase Cover	1
47	90001-0832-0101	Hexagon Flange Bolt, M8 x 32, Blue White Zinc	6
48	11310-Z531010-0BA0	Crankcase Subassembly	1
49	90682-Z300110-0001	Oil Seal, Ø25 x Ø41.25 x 6	2
50	90408-Z010110-0000	Washer, Ø10 x Ø15.8 x 1.5	2
51	11007-Z010110-0001	Drain Plug Bolt, M10 x1.25 x15, Blue White Zinc	2
52	16061-Z010110-0000	Governor Arm	1
53	90408-Z010210-0000	Washer, Ø6.2 x Ø15 x 0.6	1
54	90501-Z010110-0001	Pin, Blue White Zinc	1

#	Part Number	Description	Qty.
55	16070-Z010110-0001	Governor Support Subassembly, Blue White Zinc	1
56	90305-0600-3101	Hexagon Flange Nut, M6, Blue White Zinc	1
57	16072-Z010110-0001	Governor Support Bolt, M6 x 21, Blue White Zinc	1
58	16063-Z950510-0100	Governor Spring	1
59	16062-Z010110-0001	Governor Rod, Blue White Zinc	1
60	16012-Z010310-0000	Throttle Valve Returning Spring	1
61	16520-Z440410-0101	Throttle Control Assembly, Blue White Zinc	1
62	90001-0610-0101	Hexagon Flange Bolt, M6 x 10, Blue White Zinc	5
63	37060-Z010120-0001	Engine oil Sensor, W/O Nut	1
64	90001-0614-01	Hexagon Flange Bolt, M6 x 14, Blue White Zinc	2
65	90305-Z010210-0101	Hexagon Flange Nut, M10, Blue White Zinc	1
66	16400-Z010110-0000	Governor Gear Assembly	1
67	90547-0205-00A0	Bearing	2
68	13510-Z440410-0000	Flywheel Subassembly	1
69	19352-Z440110-0001	Impeller	1
70	28002-Z0L0110-0000	Starter Pulley, Blue White Zinc	1
71	13501-Z010110-0000	Flywheel Nut, M14 x 1.5, Blue White Zinc	1
72	30400-Z440410-0001	Ignition Coil	1
73	90001-0625-01	Hexagon Flange Bolt, M6 x 25, Blue White Zinc	2
74	19304-Z010610-0001	Cylinder Body Shroud	1
75	90684-Z010510-0000	Clip	1
76	19340-Z011010-0000	Lower Shield	1
77	90001-0616-01	Hexagon Flange Bolt, M6 x 16, Blue White Zinc	1
78	37050-Z010210-0001	Oil Protector, Blue White Zinc	1
79	210P-001	Cylinder Head Subassembly	1
80	28110-Z010610-L400	Shroud	1
81	28200-Z141010-H301	Recoil Starter Assembly	1

#	Part Number	Description	Qty.
82	90408-0600-03	Washer, Black Zinc	3
83	90001-0608-03	Hexagon Flange Bolt, M6 x 8, Black Zinc	3
84	30009-Z010210-0000	Grounding Wiring	1
85	14200-Z530110-0099	Camshaft Assembly	1
86	13300-Z532510-0000	Crankshaft Assembly	1
87	11001-Z440110-00A0	Crankcase Gasket	1
88	16161-Z151610-00A2	Main Jet, Standard	1
	16161-Z151410-00A0	Main Jet, Altitude 3000-6000 Feet	/
	16161-Z151210-00A1	Main Jet, Altitude 6000-8000 Feet	/
89	16112-Z010110-0000	Seal Ring, Float	1
90	90681-Z010610-0000	Seal Ring	1
91	30431-Y020110-0001	Rubber Sleeve	1