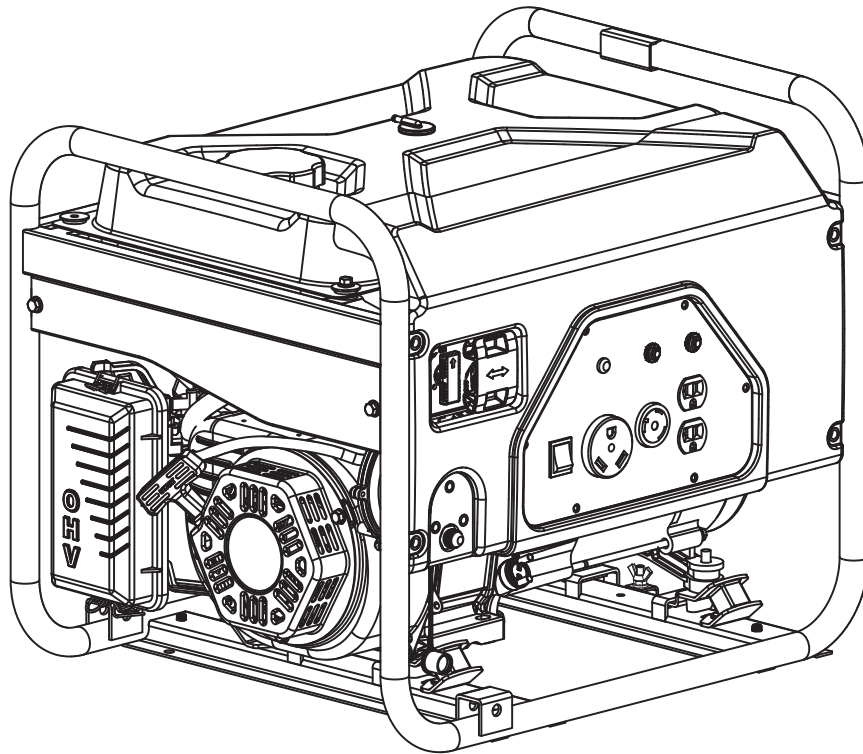




Champion Power Equipment, Inc., Santa Fe Springs, CA USA

**MODEL #100401**



## **PARTS INFORMATION**

**3500W DUAL FUEL GENERATOR**

**SERIAL NUMBER RANGE: ALL**

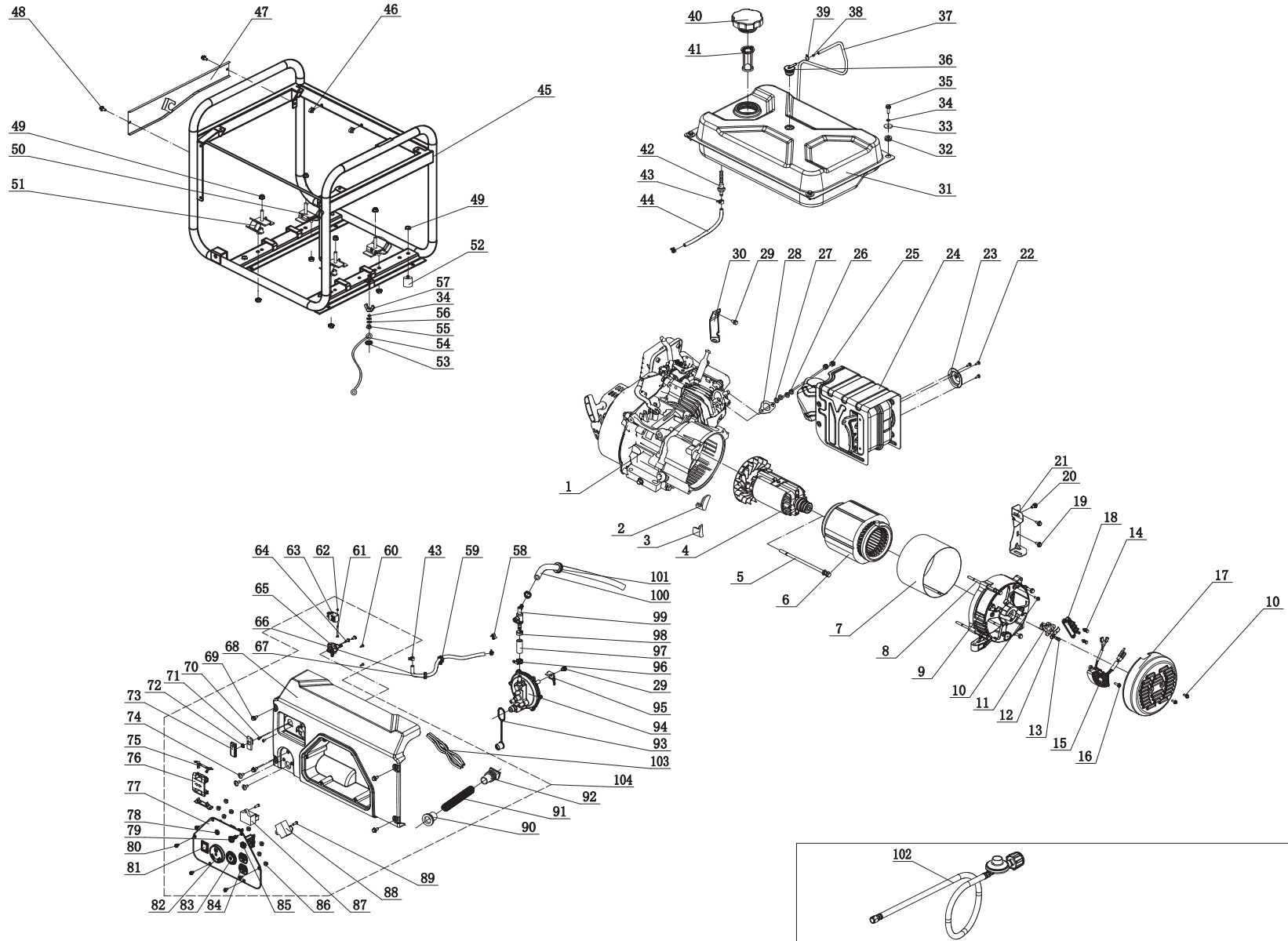


To order replacement parts please visit:  
**[shop.championpowerequipment.com](http://shop.championpowerequipment.com)**  
or call **1-877-338-0999**.

## **TABLE OF CONTENTS**

<b>Parts Diagram</b> .....	<b>3</b>
<b>Parts List</b> .....	<b>4</b>
<b>Engine Parts Diagram</b> .....	<b>6</b>
<b>Engine Parts Part List</b> .....	<b>7</b>
<b>Wiring Diagram</b> .....	<b>9</b>

# PARTS DIAGRAM



## PARTS LIST

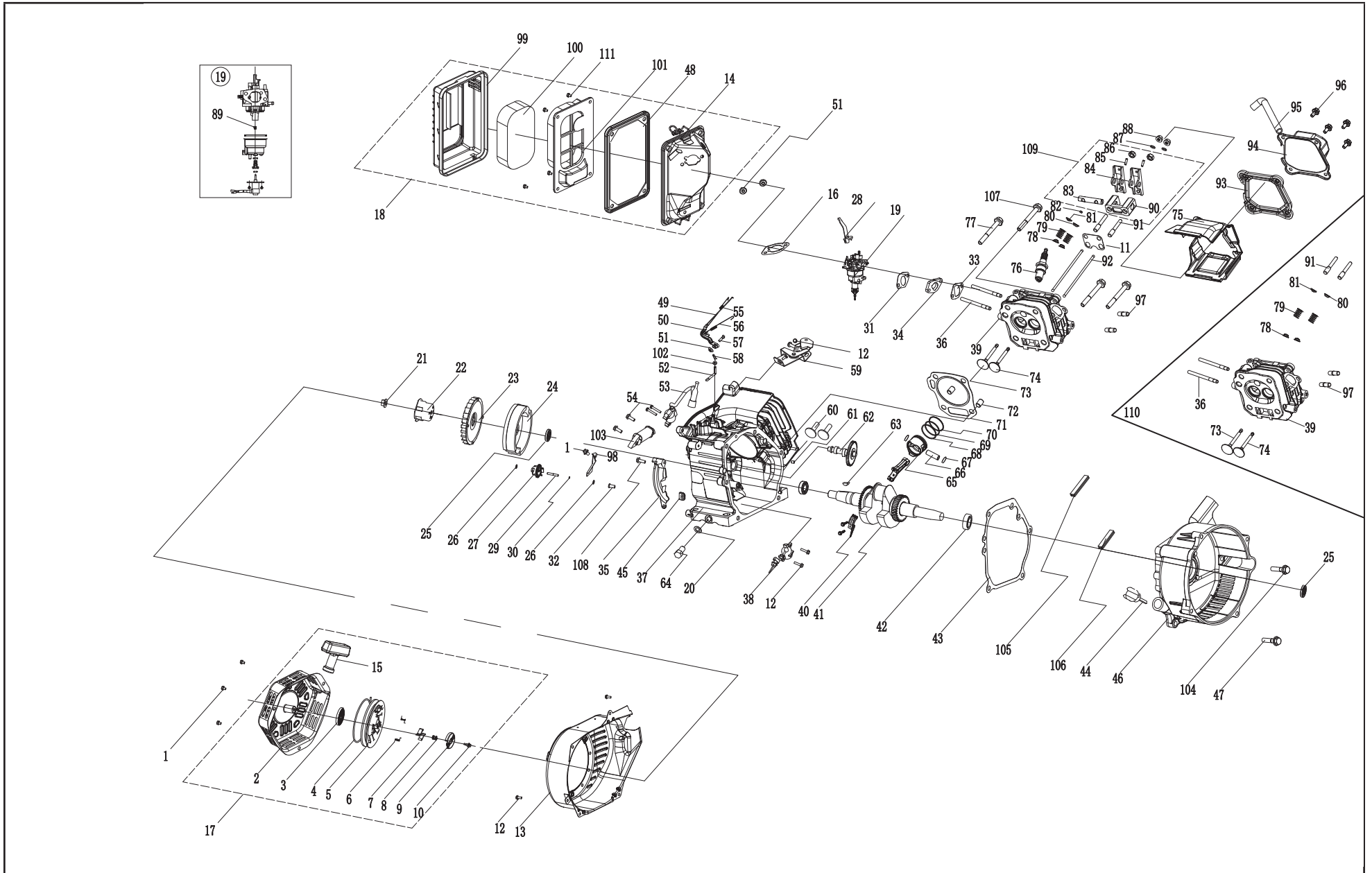
#	Part Number	Description	Qty.
1	27.491	Engine, 224cc	1
2	122.190005.00	Rubber, Fore-Cover, B	1
3	122.190005.01	Rubber, Fore-Cover, A	1
4	124.191100.02	Rotor Assembly, Al, Ø160 × 130 mm, CSA	1
5	2.08.109	Flange Bolt/Washer Assembly M8 × 252	1
6	124.191200.02	Stator Assembly, Al, Ø160 × 130 mm, CSA	1
7	124.191002.01	Stator Cover	1
8	2.08.032	Flange Bolt/Washer Assembly M6 × 179	4
9	122.190002.00	End Housing	1
10	1.16674.0512.2	Flange Bolt M5 × 12	3
11	122.190300.00	Carbon Brush Assembly	1
12	122.190004.01	Pinch, Carbon Brush	1
13	1.9074.15.0520	Bolt/Washer Assembly M5 × 20	1
14	1.9074.17.0516	Screw/Washer Assembly M5 × 16	2
15	122.190200.03	AVR	1
16	1.16674.0516	Flange Bolt M5 × 16	2
17	122.190003.00.48	Generator End Cover, Yellow	1
18	122.190400.00	Terminal Block	1
19	1.1587.0620	Flange Bolt M6 × 20	2
20	1.5789.0615	Flange Bolt M6 × 15	1
21	27.100100.01	Bracket, Muffler	1
22	1.823.0406	Screw M4 × 6	3
23	27.101300.00	Spark Arrester Assembly	1
24	27.101000.01.2	Muffler Assembly	1
25	1.6175.08	Nut M8	2
26	1.93.08	Lock Washer Ø8	2
27	1.848.08	Washer Ø8	2
28	26.100001.00	Gasket, Exhaust	1
29	1.5789.0608	Flange Bolt M6 × 8	2
30	23.090006.21	Holder, Air Cleaner	1
31	122.071000.31.48	Fuel Tank, 13L, Yellow	1
32	122.070015.01	Mount Vibration, Fuel Tank	4

#	Part Number	Description	Qty.
33	2.03.004.1	Flat Washer, Ø24 × Ø6.5 × 1.5, Black	4
34	1.93.06	Lock Washer Ø6	5
35	1.5789.0620.1	Flange Bolt M6 × 20, Black	4
36	24.070800.00	Reversal Valve	1
37	122.070014.02	Pipe, Reversal Valve, 670 mm	1
38	24.070030.00	Hole, Breather Tube	1
39	2.06.006	Clamp Ø7 × Ø1	1
40	122.070100.07	Fuel Tank Cap	1
41	122.070300.03	Fuel Filter	1
42	21.070600.03	Fitting, Fuel Tank	1
43	2.06.016	Clamp Ø8.7 × b8	4
44	122.070011.08	Fuel Pipe 245+25 mm, Fuel Tank to Fuel Valve	1
45	62341.29.16.2	Frame, 590 x 486 x 502	1
46	2.05.001	Clamp Ø8 × 6.5	2
47	122.200800.05.2	Decorative Plate, Black	1
48	1.5789.0612.1	Flange Bolt M6 × 12, Black	2
49	1.6177.1.08	Lock Nut M8, Flange	12
50	122.201200.07	Motor Mount 2	2
51	122.201200.06	Motor Mount 1	2
52	122.201400.01	Rubber, Support	4
53	1.862.06	Lock Washer Ø6, Toothed	1
54	5.1900.026	Grounding Line 150mm	1
55	1.6177.1.06	Lock Nut M6, Flange	1
56	1.97.1.06	Washer Ø6	2
57	1.62.06	Butterfly Type Nut M6	1
58	2.05.005	Clamp Ø6	1
59	2.05.009	Clamp Ø12.5 × 7	1
60	1.845.3513	Screw ST3.5 × 13	2
61	1.819.1.0330	Screw M3 × 30	1
62	1.6170.03	Nut M3	1
63	5.1050.000	Switch	1
64	1.845.4816	Screw ST4.8 × 16	2
65	122.070400.06	Fuel Valve	1

#	Part Number	Description	Qty.
66	122.070011.09	Fuel Pipe, Fuel Valve to Carburator, 395+33 mm	1
67	152.070031.01	Jacket, Fuel Hose	1
68	122.210002.24	Control Box	1
69	1.5789.0615.1	Flange Bolt M6 × 15, Black	4
70	1.819.0408	Screw M4 × 8	2
71	122.070025.02	Knob	1
72	1.6182.05	Lock Nut M5	1
73	122.070032.00	Sleeve, Knob	1
74	2.08.055	Bolt M6 × 14	3
75	152.201004.00	Lock Catch	2
76	152.200019.00.48	Switch Handle, Yellow	1
77	122.19.9.2	Control Panel, Black	1
78	5.1460.016	Indicator light, Green	1
79	5.1210.930	30Amp Circuit Breaker, Push Button, CSA	1
80	1.9074.4.0512.1	Screw/Washer Assembly M5 × 12, Black	6
81	5.1000.004.3	Ignition Switch, Red	1
82	5.1120.036	Receptacle TT-30R	1
83	5.1120.008	Receptacle L5-30R	1
84	5.1120.010	Receptacle 5-20R Duplex	1
85	5.1210.920	20Amp Circuit Breaker, Push Button, CSA	1
86	1.6177.1.04.1	Lock Nut M4, Flange, Black	8
87	5.1810.003	VFO Diode	1
88	5.1820.004	Charger	1
89	1.818.0514.2	Screw M5 × 14	2
90	122.210003.01	Wire Jacket, Control Box	1
91	5.1330.114	Sheath, Wire, Ø14 × 280 mm	1
92	152.210003.02	Plug, End Cover	1
93	9.1500.002	Sleeve, Connector	1
94	26.136000.06	Pressure-reducing Valve	1
95	122.200018.00	Supporter	1
96	2.06.023	Clip Ø20	2
97	152.070012.05	Pipe 40 mm	1
98	2.06.032	Clip Ø17	2
99	122.074000.02	Cut-off Valve	1
100	122.070012.05	Pipe 380 mm	1

#	Part Number	Description	Qty.
101	152.070031.00	Jacket, LPG Hose	1
102	26.130021.06	LPG Hose With Regulator 3.3 ft.	1
103	100401.21.10	Wire Assembly	1
104	100401.21	Control Panel Assembly	1

# ENGINE PARTS DIAGRAM



**ENGINE PARTS PART LIST**

#	Part Number	Description	Qty.
1	1.5789.0608	Flange Bolt M6 × 8	4
2	22.061100.00.2	Cover, Recoil Starter, Black	1
3	21.061005.00	Spring, Recoil Starter	1
4	2.10.003.1	Rope Ø4 × 1550, Black	1
5	21.061001.01	Reel, Recoil Starter	1
6	45.060003.00	Spring, Ratchcaet	2
7	45.060002.00	Starter Ratchet, Steel	2
8	45.060009.00	Spring Guide, Ratchet	1
9	45.060007.00	Ratchet Guide	1
10	45.060008.00	Screw, Ratchet Guide	1
11	24.040004.00	Guide Plate, Push Rod	1
12	1.5789.0612	Flange Bolt M6 × 12	8
13	27.080100.07.48	Fan Cover, Yellow	1
14	24.091100.21	Base, Air Cleaner	1
15	21.061300.00	Handle, Recoil, Soft	1
16	24.130004.20	Gasket, Air Cleaner	1
17	22.061000.00	Recoil Assembly	1
18	27.091000.02	Air Cleaner Assembly	1
19	27.131000.13	Carburetor	1
20	2.03.016	Washer Ø10 × Ø16 × 1.5, Drain Bolt	1
21	2.02.006	Nut M14 × 1.5	1
22	83.060001.01	Pulley, Starter	1
23	27.080001.00	Cooling Fan	1
24	24.120100.11	Flywheel	1
25	2.11.001	Oil Seal Ø25 × Ø41.3 × 6	2
26	2.03.020.1	Washer Ø6.2 × Ø15 × 0.5, Black	2
27	21.110100.00	Gear, Governor	1
28	23.130100.20	Choke Lever	1
29	21.110013.00	Shaft, Governor Gear	1
30	21.110011.00	Clip, Governor Gear	1
31	22.130003.00	Gasket, Carburetor	1
32	21.110012.01	Bushing, Governor Gear, Steel	1
33	24.130002.00	Gasket, Insulator	1

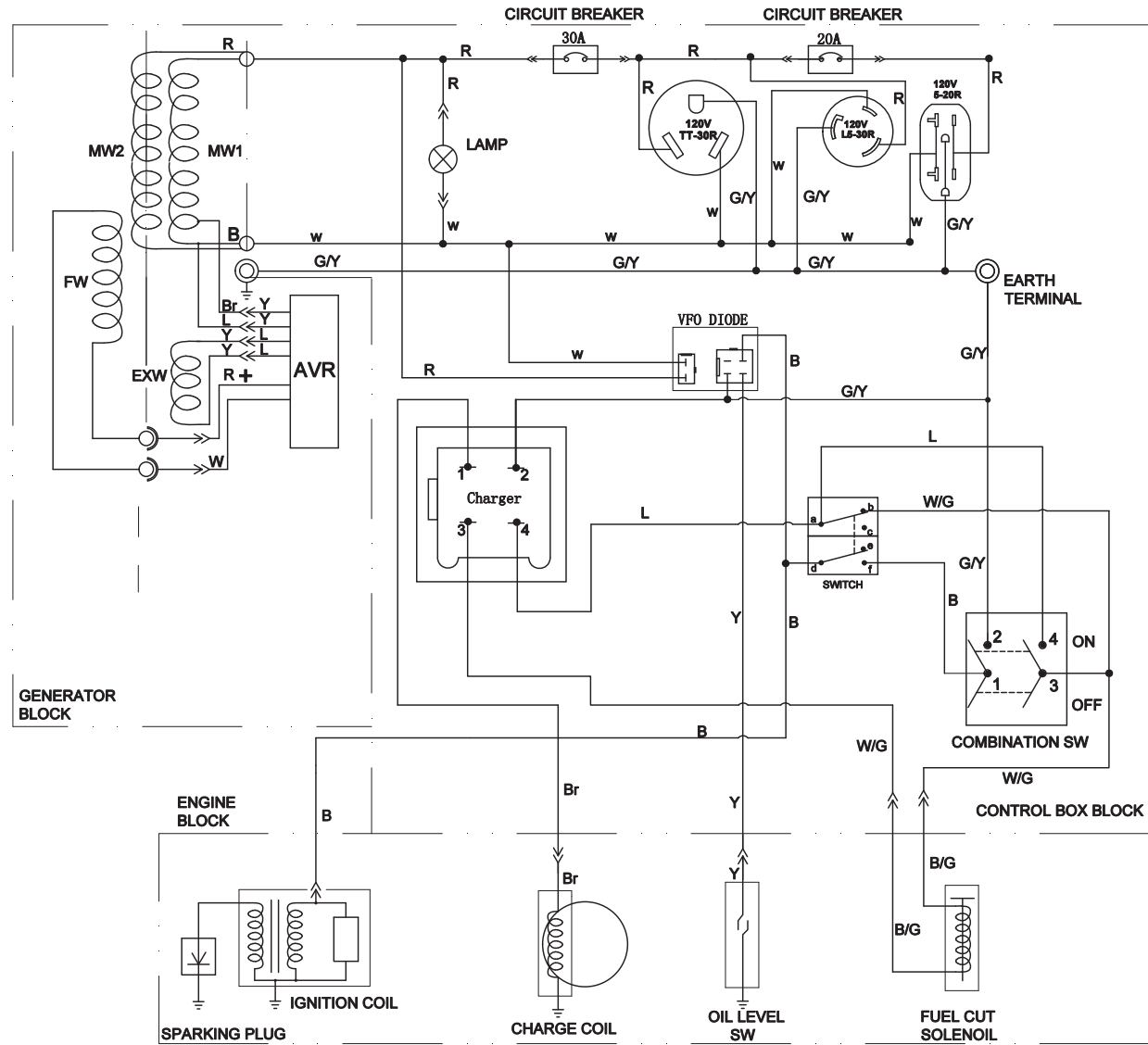
#	Part Number	Description	Qty.
34	27.130001.00	Insulator, Carburetor	1
35	23.080600.01	Air Guide, Right Side	1
36	2.01.003	Stud Bolt M6 × 90	2
37	27.030100.01	Crankcase	1
38	21.127000.02	Oil Level Sensor	1
39	26.010100.01	Cylinder Head, 224cc	1
40	27.050200.00	Connecting Rod	1
41	27.050100.00	Crankshaft	1
42	1.276.6205	Bearing 6205	2
43	24.030008.00	Gasket, Crankcase Cover	1
44	22.031000.00.48	Oil Dipstick Assembly, Yellow	1
45	45.030032.00	Sheath, Wire	1
46	27.030007.01	Cover, Crankcase	1
47	1.5789.0832	Flange Bolt M8 × 32	5
48	23.091002.21	Seal, Air Cleaner	1
49	23.110006.00	Rod, Governor	1
50	27.110003.00	Arm, Governor	1
51	1.6177.06	Flange Nut M6	3
52	21.110001.00	Shaft, Governor Arm	1
53	22.123000.01	Ignition Coil, Silicon Rubber	1
54	1.5789.0625	Flange Bolt M6 × 25	4
55	23.110005.01	Spring, Throttle Return	1
56	23.110007.00	Spring, Governor	1
57	2.08.040	Bolt M6 × 21, Governor Arm	1
58	21.110008.00	Pin, Shaft	1
59	27.111000.20	Control Assembly	1
60	25.040013.00	Lifter, Valve	2
61	2.04.001	Dowel Pin Ø9 × 14	2
62	27.041000.01	Camshaft	1
63	2.14.012	Woodruff Key 4 × 7.5 × 19	1
64	2.08.037	Drain Bolt M10 × 1.25 × 25	1
65	27.050005.00	Piston	1
66	23.050003.00	Pin, Piston	1

#	Part Number	Description	Qty.
67	2.09.001	Circlip Ø18 × Ø1	2
68	27.050303.00	Ring, Oil	1
69	27.050302.00	Ring, Second Piston	1
70	27.050301.00	Ring, First Piston	1
71	27.030009.01	Gasket, Cylinder Head	1
72	2.04.003	Dowel Pin Ø10 × 14	2
73	23.040002.02	Valve, Intake	1
74	27.040006.00	Valve, Exhaust	1
75	27.080200.00	Air Shroud, Cylinder	1
76	2.15.002(F6RTC)	Spark Plug F6RTC	1
77	1.5789.0865	Flange Bolt M8 × 65	3
78	23.040017.00	Oil Seal, Valve, Iron	2
79	21.040003.00	Spring, Valve	2
80	21.040007.00	Retainer, Exhaust Valve Spring	1
81	21.040001.00	Retainer, Intake Valve Spring	1
82	21.040008.00	Rotator, Exhaust Valve	1
83	24.040202.00	Shaft, Rocker Arm	1
84	22.040009.00	Rocker Arm, Intake Valve	2
85	22.040012.00	Screw, Valve Adjustment	2
86	21.040021.00	Nut M6 × 0.5, Lock	2
87	1.97.1.06	Washer Ø6	2
88	1.6177.1.06	Flange Nut M6	2
89	27.131017.01	Standard Main Jet	1
	27.131017.01.01	Altitude Main Jet	/
90	24.040201.00	Retainer, Rocker Arm	1
91	23.040010.00	Bolt, Rocker Arm	2
92	27.040005.00	Push Rod	2
93	21.020002.01	Gasket, Cylinder Head Cover	1
94	24.021000.00	Cover, Cylinder Head	1
95	23.020001.02	Breather Tube 112 + 35	1
96	1.5789.0615	Flange Bolt M6 × 15	4
97	2.01.010	Stud Bolt M8 × 35	2
98	23.030006.00	Plate, Coil	1
99	27.091200.01	Cover, Air Cleaner	1
100	23.091003.21	Element, Air Cleaner	1

#	Part Number	Description	Qty.
101	23.091001.21	Separator, Air Cleaner	1
102	2.03.021.1	Washer Ø6.4xØ13 × 1, Black	1
103	45.121000.00	Coil, Charging	1
104	1.5789.0840	Flange Bolt M8 × 40	1
105	27.030013.00	Seal Strip, Crankcase Cover, Long	1
106	27.030013.01	Seal Strip, Crankcase Cover, Short	1
107	2.08.121	Flange Bolt M10 × 65	1
108	1.5789.0620	Flange Bolt M6 x 20	1
109	24.040200.00	Rocker Arm Assembly	1
110	27.010000.00	Cylinder Head Assembly	1
111	2.08.166	Flange Bolt M5×12	4



# WIRING DIAGRAM



**SWITCH**

	b	a	c	e	d	f
GAS						
LPG						

**COMBINATION SWITCH**

	1	2	3	4
OFF				
ON				

B	BLACK	Br	BROWN
Y	YELLOW	B/W	BLACK WHITE
L	BLUE	W/G	WHITE GREEN
G	GREEN	G/Y	GREEN YELLOW
R	RED	W/L	WHITE BLUE
W	WHITE	B/G	BLACK GREEN