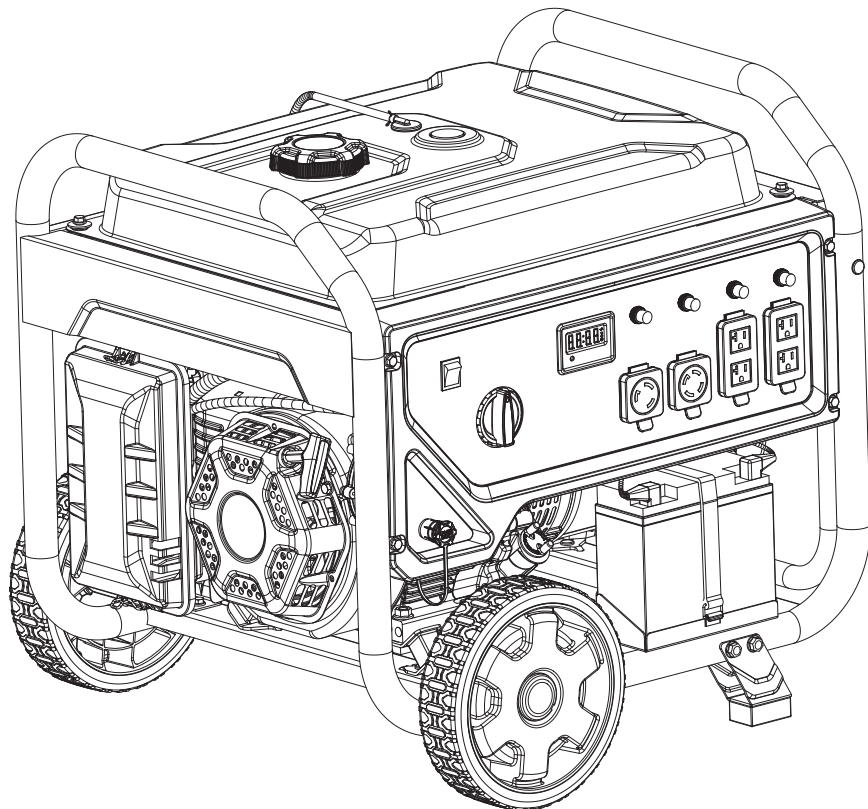




Champion Power Equipment, Inc.

**MODEL #100416**



## **PARTS INFORMATION**

**8000W TRI-FUEL PORTABLE GENERATOR**

**SERIAL NUMBER RANGE: Y2203170000+**



To order replacement parts please visit:  
**[shop.championpowerequipment.com](http://shop.championpowerequipment.com)**  
or call **1-877-338-0999**.

## **TABLE OF CONTENTS**

<b>Generator Parts Diagram</b> .....	<b>3</b>
<b>Generator Parts List</b> .....	<b>4</b>
<b>Engine Parts Diagram</b> .....	<b>6</b>
<b>Engine Parts List</b> .....	<b>7</b>
<b>Cylinder Head Parts Diagram</b> .....	<b>9</b>
<b>Cylinder Head Parts List</b> .....	<b>10</b>
<b>Alternator Parts Diagram</b> .....	<b>11</b>
<b>Alternator Parts List</b> .....	<b>12</b>
<b>Fuel Tank Parts Diagram</b> .....	<b>13</b>
<b>Fuel Tank Parts List</b> .....	<b>14</b>
<b>Control Panel Parts Diagram</b> .....	<b>15</b>
<b>Control Panel Parts List</b> .....	<b>16</b>
<b>Frame Parts Diagram</b> .....	<b>17</b>
<b>Frame Parts List</b> .....	<b>18</b>
<b>Wiring Diagram</b> .....	<b>19</b>

# GENERATOR PARTS DIAGRAM

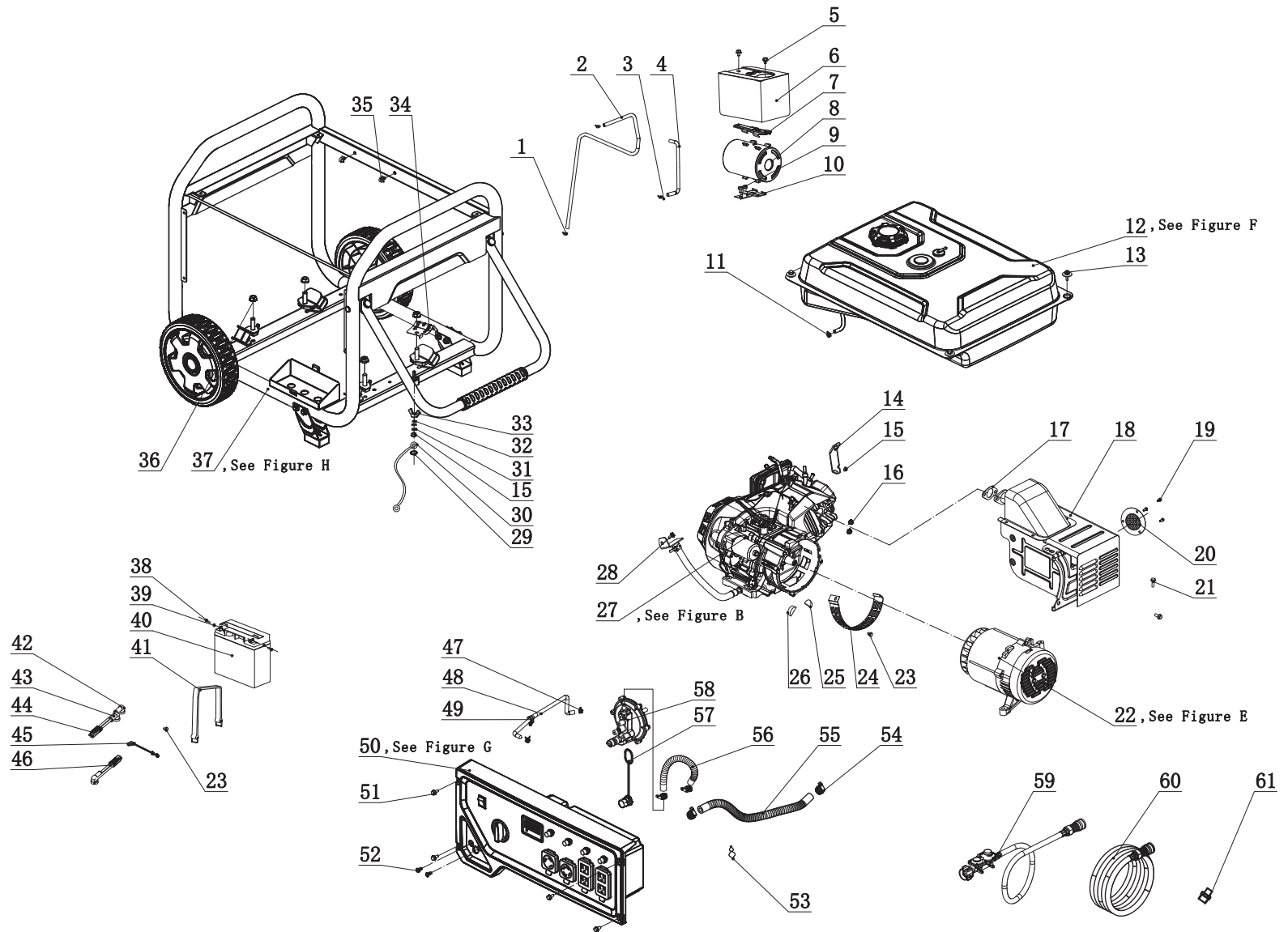


Figure A

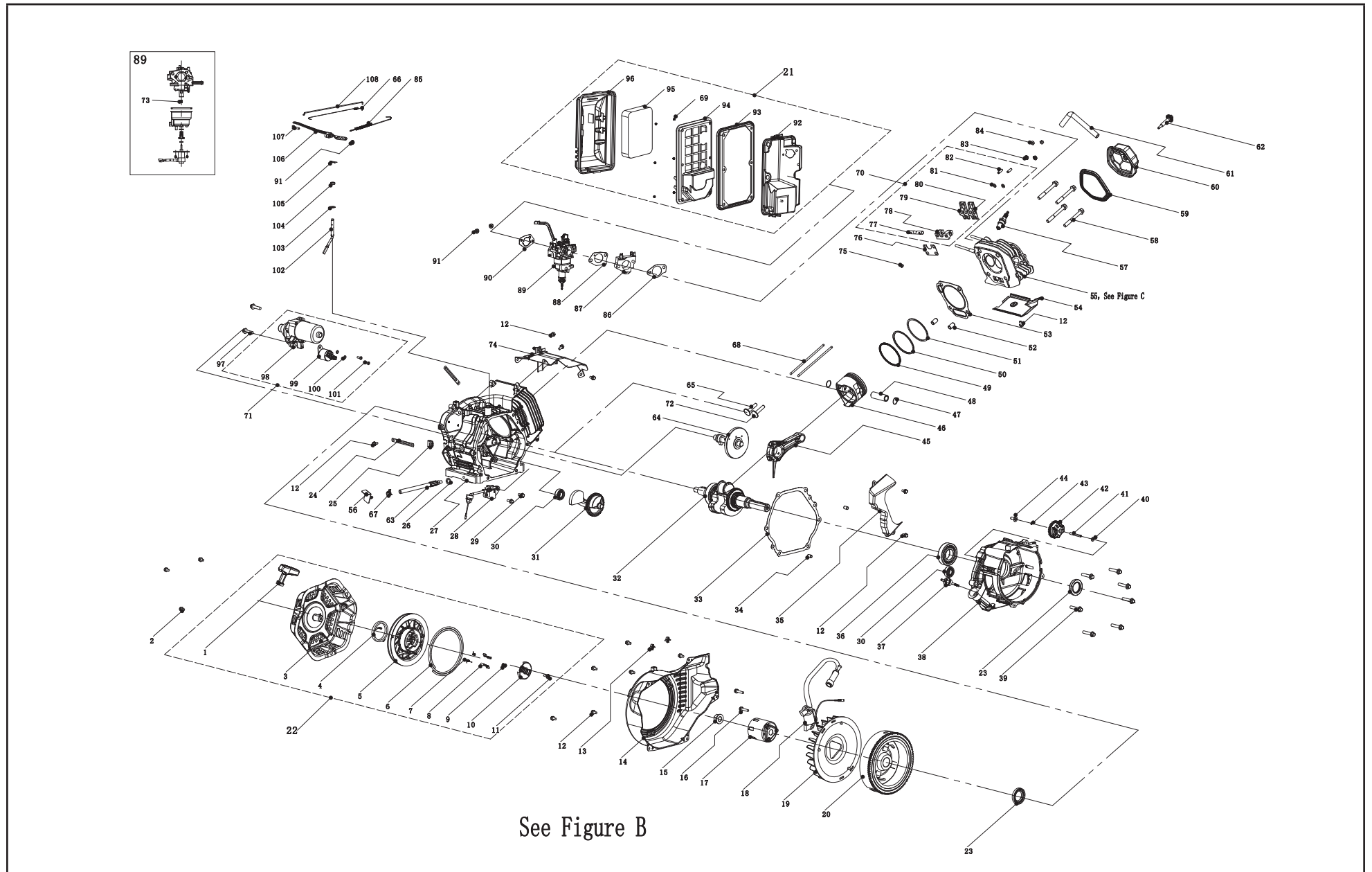
## GENERATOR PARTS LIST

#	Part Number	Description	Qty.
1	2.06.006	Clamp, Ø7 x Ø1	2
2	122.070014.01	Pipe, Reversal Valve	1
3	2.06.004	Clamp, Ø8 x Ø1	1
4	152.070013.03	Pipe, Air Cleaner, 135 mm	1
5	1.5789.0608.1	Flange Bolt M6 x 8, Black	2
6	152.070018.03	Board, Heat Insulation	1
7	152.070702.06	Support Arm, Top	1
8	152.070700.04	Carbon Canister, 750cc	1
9	1.16674.0812	Flange Bolt M8x12	2
10	152.070702.05	Support Arm, Bottom	1
11	2.06.007	Clamp Ø8.2xb8	2
12	152.070000.60.48	Fuel Tank, 32L, Yellow,See Figure F	1
13	2.08.143.1	Flange Bolt/Washer Assembly M6x20, Black	4
14	45.090006.20	Holder, Air Cleaner	1
15	1.6177.1.06	Lock Nut M6, Flange	2
16	1.6177.1.08	Lock Nut M8, Flange	2
17	46.100001.07	Gasket, Exhaust	1
18	46.101000.01.2	Muffler Assembly	1
19	1.9074.4.0510	Screw/Washer Assembly M5x10	3
20	46.101300.00	Spark Arrester Assembly	1
21	1.16674.0820	Flange Bolt M8x20	2
22	153.190000.33	Motor combination, AI, Ø190 x 158 mm, DC 12V,See Figure E	1
23	1.5789.0608	Flange Bolt M6x8	2
24	152.192300.01	Air Guide	1
25	152.190005.00	Rubber, Fore-Cover, A	1
26	152.190005.01	Rubber, Fore-Cover, B	1
27	48.695	Engine,459cc,See Figure B	1
28	1.5789.0612	Flange Bolt M6x12	1
29	1.862.06	Lock Washer Ø6, Toothed	1

#	Part Number	Description	Qty.
30	5.1900.076	Grounding Line 150 mm	1
31	1.97.1.06.2	Washer Ø6	2
32	1.93.06	Lock Washer Ø6	1
33	1.62.06	Butterfly Type Nut M6	1
34	152.100007.00	Insulation Board, Motor Mount	1
35	2.05.001	Clamp, Ø8x6.5	2
36	1.6177.1.10	Lock Nut M10, Flange	4
37	65300.100416	Frame, Wheel Kit,See Figure H	1
38	1.9074.3.0510	Screw/Washer Assembly M5x10	2
39	1.6177.1.05	Lock Nut M5, Flange	2
40	9.1000.150	Battery 12V15AH	1
41	152.200904.00	Pinch, Rubber	1
42	152.200013.02	Jacket, Wire, Black	1
43	152.200013.02.3	Jacket, Wire, Red	2
44	5.1900.127	Battery SAE Wire	1
45	152.200013.03	Sleeve, Connector	1
46	5.1900.129	Motor SAE Wire	1
47	2.06.016	Clamp Ø8.8xb8	1
48	152.070011.31	Tube, Fuel Valve to Carburator,410+35mm	1
49	2.05.009	Clamp Ø12.5x7	1
50	100416.21	Control Panel Assembly,See Figure G	1

#	Part Number	Description	Qty.
51	1.5789.0615.1	Flange Bolt M6×15, Black	4
52	1.818.0614.1	Bolt M6×14, Black	2
53	2.06.050	Clamp, Ø8×Ø18	1
54	2.06.023	Clip Ø20	4
55	152.070012.36	Hose 400mm	1
56	152.070012.20	Hose 230mm	1
57	9.1500.006	Sleeve, Connector	1
58	47.136000.06	Pressure-reducing Valve	1
59	152.070012.19	LPG Hose With Regulator 6.56 ft.	1
60	152.070012.23	NG Hose 25 ft.	1
61	152.250501.00	Connect,NG Hose	1

# ENGINE PARTS DIAGRAM



**ENGINE PARTS LIST**

#	Part Number	Description	Qty.
1	21.061300.01.48	Handle, Recoil, Soft, Yellow	1
2	1.16674.0608	Flange Bolt M6 x 8	3
3	46.061100.03.2	Cover, Recoil Starter, Black	1
4	45.060005.00	Spring, Recoil Starter	1
5	45.061102.00	Reel, Recoil Starter	1
6	2.10.003.1	Rope Ø4 x 1550, Black	1
7	45.060003.00	Spring, Ratchet	2
8	45.060002.00	Starter Ratchet, Steel	2
9	45.060009.00	Spring, Ratchet Guide	1
10	45.060007.00	Ratchet Guide	1
11	45.060008.00	Screw, Ratchet Guide	1
12	1.5789.0612	Flange Bolt M6 x 12	12
13	2.05.009	Clamp Ø12.5 x 7	2
14	47.080100.01.48	Fan Cover, Yellow	1
15	2.02.007	Nut M16 x 1.5	1
16	1.5789.0629	Flange Bolt M6 x 29	2
17	45.060001.00	Pulley, Starter	1
18	46.123000.07	Ignition Coil	1
19	48.080001.00	Cooling Fan	1
20	46.120100.05	Flywheel	1
21	46.091000.11	Air Cleaner Assembly	1
22	46.061000.03	Recoil Assembly	1
23	2.11.007	Oil Seal Ø35 x Ø52 x 8	2
24	2.05.050	Wire Clip 100 mm	2
25	152.070031.01	Sheath, Wire	1
26	2.03.023	Washer Ø12.5 x Ø20 x 2 , Drain Bolt	1
27	48.030100.00	Crankcase	1
28	45.127000.02	Oil Level Sensor	1
29	1.5789.0615	Flange Bolt M6 x 15	2
30	1.276.6202	Bearing 6202	2

#	Part Number	Description	Qty.
31	48.050006.00	Weight Balancer	1
32	47.050100.01	Crankshaft Assembly	1
33	46.030008.00	Gasket, Crankcase Cover	1
34	2.04.001	Dowel Pin Ø9 x 14	2
35	46.080600.00	Air Guide, Right Side	1
36	1.276.6207	Bearing 6207	1
37	46.031000.01.48	Oil Dipstick Assembly, Yellow	1
38	45.030007.00	Cover, Crankcase	1
39	1.5789.0840	Flange Bolt M8 x 40	7
40	2.03.021.1	Washer Ø6.4 x Ø13 x 1, Black	1
41	45.110013.00	Shaft, Governor Gear	1
42	45.110100.00	Gear, Governor	1
43	21.110011.00	Clip, Governor Gear	1
44	45.110012.00	Bushing, Governor Gear, Steel	1
45	47.050200.00	Connecting Rod Assembly	1
46	48.050005.00	Piston	1
47	2.09.004	Circlip Ø21 x Ø1	2
48	45.050003.00	Pin, Piston	1
49	48.050303.00	Ring, Oil	1
50	48.050302.00	Ring, Second Piston	1
51	48.050301.00	Ring, First Piston	1
52	2.04.004	Dowel Pin Ø12 x 20	2
53	48.030009.00	Gasket, Cylinder Head	1
54	46.080400.00	Air Guide, Lower	1
55	47.010000.01	Cylinder Head Assembly, See Figure C	1
56	45.030200.00	Support	1
57	2.15.008	Spark Plug F7RTC	1
58	2.08.122	Flange Bolt M10 x 95	4
59	46.020002.00	Gasket, Cylinder Head Cover	1
60	47.021000.00	Cover, Cylinder Head	1

#	Part Number	Description	Qty.
61	45.020001.02	Breather Tube	1
62	47.020100.00	Bolt, Cylinder Head Cover	1
63	45.032000.00	Hose, Oil Drain	1
64	48.041000.00	Camshaft	1
65	48.040013.00	Lifter, Intake Valve	1
66	45.110005.00	Spring, Throttle Return	1
67	2.06.013	Clamp Ø13.5 x b10	1
68	46.040005.00	Push Rod	2
69	1.6177.1	Flange Nut M5	6
70	46.040200.00	Rocker Arm Assembly	1
71	45.125000.03	Starter Motor Assembly	1
72	45.040013.00	Lifter, Exhaust Valve	1
73	48.131017.01	Standard Main Jet	1
	48.131017.01.01	Altitude Main Jet	/
74	46.080300.20	Air Guide, Upper	1
75	45.040008.00	Rotator, Exhaust Valve	1
76	46.040004.00	Guide Plate, Push Rod	1
77	46.040016.00	Shaft, Rocker Arm	1
78	46.040201.00	Retainer, Rocker Arm	1
79	46.040009.00	Rocker Arm, Intake Valve	1
80	46.040018.00	Rocker Arm, Exhaust Valve	1
81	1.97.1.06	Washer Ø6	2
82	22.040012.00	Screw, Valve Adjustment	2
83	1.6177.1.06	Flange Nut M6	2
84	21.040021.00	Nut M6 x 0.5, Lock	2
85	45.110007.01	Spring, Governor	1
86	46.130002.20	Gasket, Insulator	1
87	45.130001.00	Insulator, Carburetor	1
88	46.130003.20	Gasket, Carburetor	1
89	48.131000.23	Carburetor	1
90	46.130004.20	Gasket, Air Cleaner	1
91	1.6177.06	Flange Nut M6	3

#	Part Number	Description	Qty.
92	46.091100.09	Base, Air Cleaner	1
93	45.091002.20	Seal, Air Cleaner	1
94	45.091001.20	Separator, Air Cleaner	1
95	45.091003.20	Element, Air Cleaner	1
96	46.091200.11	Cover, Air Cleaner	1
97	1.5789.0835	Flange Bolt M8 x 35	2
98	45.125100.00	Starter Motor	1
99	45.125200.03	Relay, Starter	1
100	1.93.05	Lock Washer Ø5	2
101	1.16674.0516	Flange Bolt M5 x 16	2
102	45.110001.00	Shaft, Governor Arm	1
103	2.03.019	Washer Ø8.2 x Ø17 x 0.8	1
104	2.11.006	Oil Seal Ø7 x Ø14 x 5	1
105	45.110008.00	Pin, Shaft	1
106	45.110003.01	Arm, Governor	1
107	2.08.040	Bolt M6 x 21, Governor Arm	1
108	45.110006.00	Rod, Governor	1



CYLINDER HEAD PARTS DIAGRAM

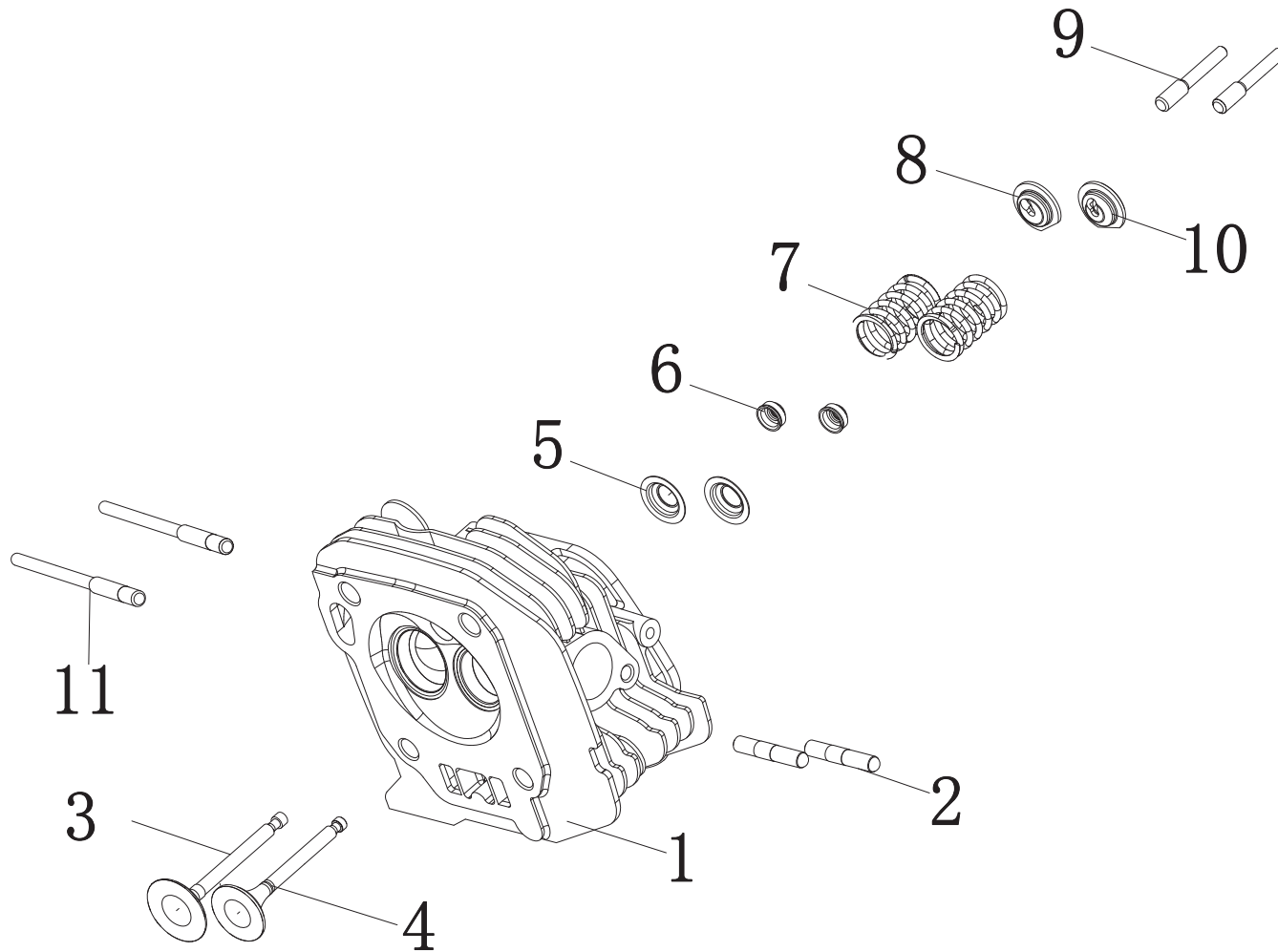


Figure C

**CYLINDER HEAD PARTS LIST**

#	Part Number	Description	Qty.
1	47.010100.01	Cylinder Head	1
2	2.01.010	Stud Bolt M8 x 35	2
3	47.040002.00	Valve, Intake	1
4	47.040006.00	Valve, Exhaust	1
5	45.040015.00	Retainer, Valve Spring	2
6	45.040017.00	Oil Seal, Valve	2
7	45.040003.00	Spring, Valve	2
8	45.040001.00	Retainer, Intake Valve Spring	1
9	23.040010.00	Bolt, Rocker Arm	2
10	45.040007.00	Retainer, Exhaust Valve Spring	1
11	2.01.008	Stud Bolt M6 x M8 x 105	2

ALTERNATOR PARTS DIAGRAM

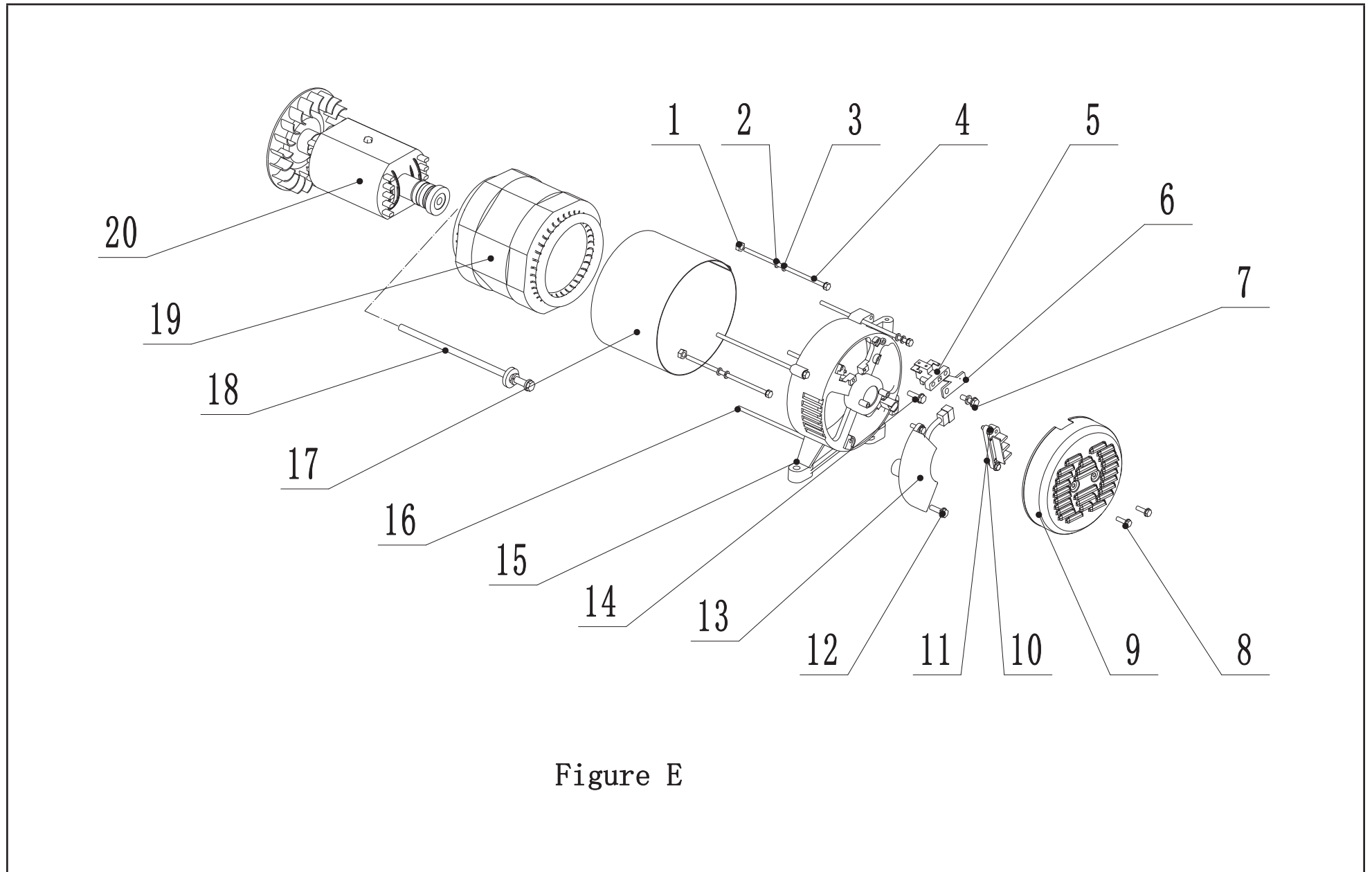
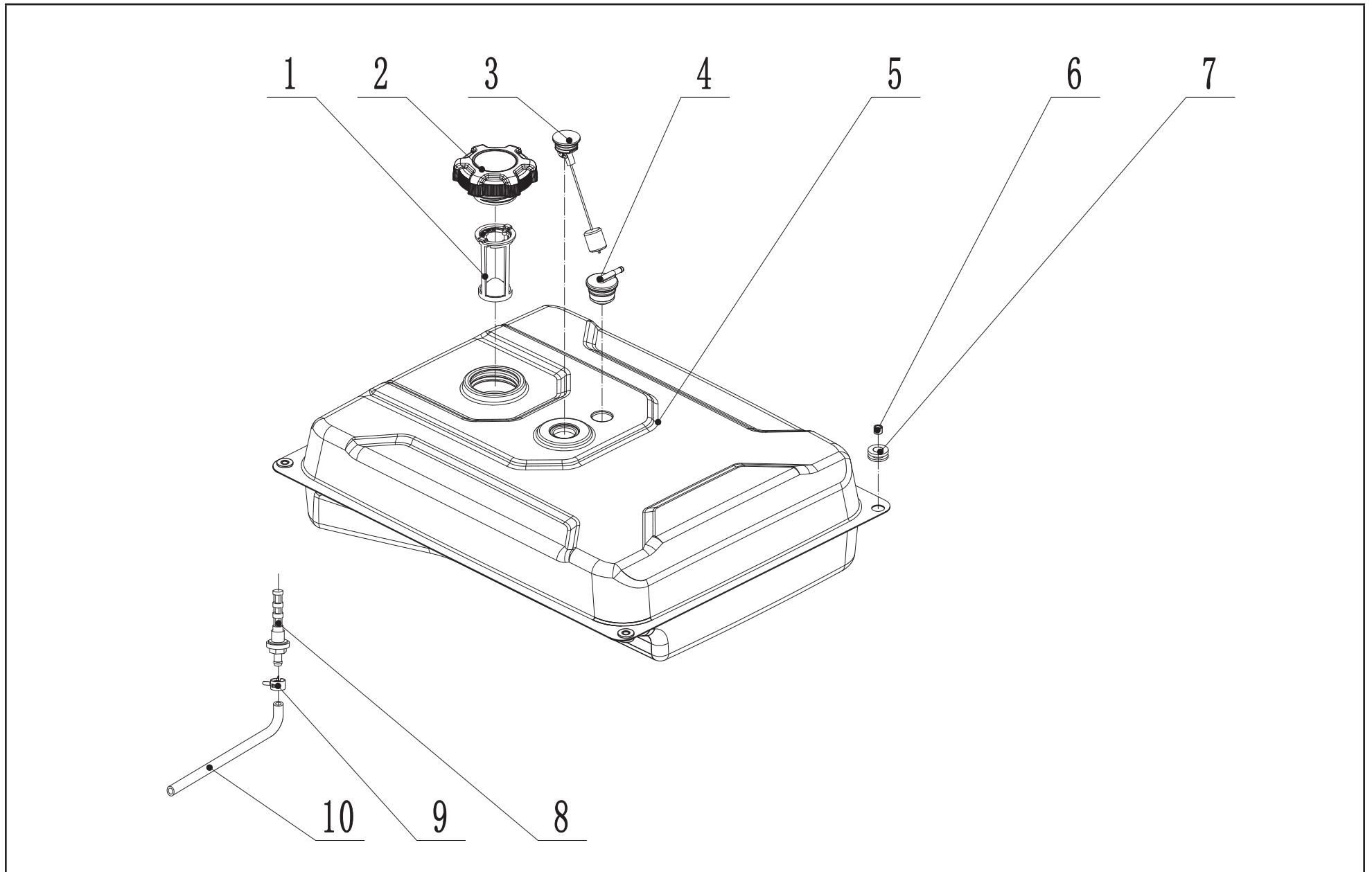


Figure E

**ALTERNATOR PARTS LIST**

#	Part Number	Description	Qty.
1	1.6175.05	Nut M5	2
2	1.97.1.05	Washer Ø5	2
3	1.93.05	Lock Washer Ø5	2
4	2.08.071	Bolt M5 x 229	2
5	152.190300.00	Carbon Brush Assembly	1
6	122.190004.01	Bracket, Carbon Brush Holder	1
7	1.9074.15.0520	Bolt/Washer Assembly M5 x 20	1
8	1.16674.0512.1	Flange Bolt M5 x 12, Black	2
9	152.190003.00.48	Cover, End Housing, Yellow	1
10	1.9074.17.0516	Screw/Washer Assembly M5 x 16	2
11	122.190400.00	Terminal Block	1
12	1.16674.0516	Flange Bolt M5 x 16	2
13	153.190200.03	AVR	1
14	1.16674.0512	Flange Bolt M5 x 12	1
15	152.190002.00	End Housing	1
16	2.08.069	Flange Bolt/Washer Assembly M6 x 194	4
17	154.191002.00	Stator Cover	1
18	2.08.070	Flange Bolt/Washer Assembly M10 x 280	1
19	153.191200.33	Stator Assembly, Al, Ø190 x 158 mm, DC 12V	1
20	153.191100.18	Rotor Assembly, Al, Ø190 x 158 mm, DC 12V	1

# FUEL TANK PARTS DIAGRAM



## FUEL TANK PARTS LIST

#	Part Number	Description	Qty.
1	122.070300.03	Fuel Filter	1
2	122.070100.09	Fuel Tank Cap	1
3	152.072000.06	Fuel Gauge Assembly	1
4	24.070800.00	Reversal Valve	1
5	152.071000.60.48	Fuel Tank, 32L, Yellow	1
6	2.13.005	Buffer ring bushing,( $\phi 10 \times \phi 7 \times 7.5$ )	4
7	2.12.002	Mount Vibration, Fuel Tank	4
8	21.070600.03	Fitting, Fuel Filter	1
9	2.06.016	Clamp $\phi 8.7 \times b8$	1
10	122.070011.15	Fuel Tube 245+25 mm, Fuel Tank to Fuel Valve	1

# CONTROL PANEL PARTS DIAGRAM

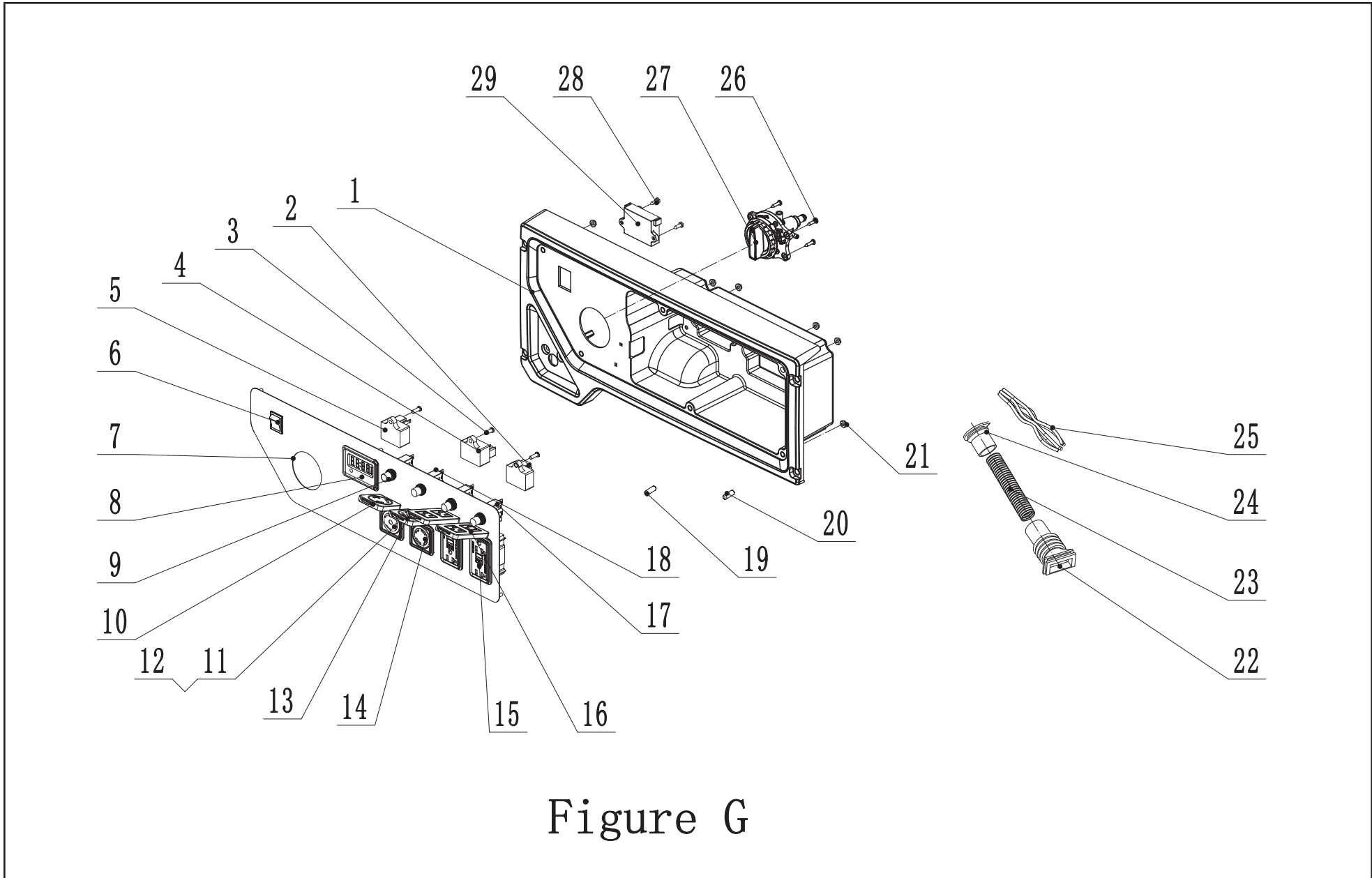


Figure G

## CONTROL PANEL PARTS LIST

#	Part Number	Description	Qty.
1	152.210002.66	Control Box	1
2	5.1800.006	Rectifier	1
3	1.818.0514.2	Screw M5 x 14	3
4	5.1810.004	VFO Diode, CSA	1
5	5.1820.009	Charger Module	1
6	5.1000.005.3	Ignition Switch, Red	1
7	152.289.2.2	Control Panel	1
8	5.1470.000	Intelligauge, INT1AOF	1
9	5.1870.014	Circuit Breaker Cover, Push Button	4
10	5.1870.023	Cover, L5-30R Receptacle	1
11	5.1120.008	Receptacle L5-30R	1
12	1.6177.1.04.1	Lock Nut M4, Flange, Black	8
13	5.1870.020	Cover, Receptacle L14-30R	1
14	5.1120.009	Receptacle L14-30R	1
15	5.1120.050	Receptacle 5-20R, Duplex GFCI	2
16	5.1870.022	Cover, Receptacle 5-20R, Duplex GFCI	2
17	5.1210.920	20A Circuit Breaker, Push Button, CSA	2

#	Part Number	Description	Qty.
18	5.1210.930	30A Circuit Breaker, Push Button, CSA	2
19	5.1280.003	Fuse, 10A	1
20	5.1280.008	Fuse, 5A	1
21	1.6177.1.05	Lock Nut M5, Flange, Black	6
22	152.210003.02	Rubber Gromet, Control Box	1
23	5.1330.116	Sheath, Wire Harness	1
24	122.210003.01	Rubber Gromet, Control Box	1
25	100416-1.21.10	Wire Harness Assembly	1
26	1.845.4816	Screw, ST4.8 x 16	4
27	152.139000.03	Fuel Select Dial	1
28	1.845.4216	Screw, ST4.2 x 16	2
29	5.1830.022	CO Module	1



FRAME PARTS DIAGRAM

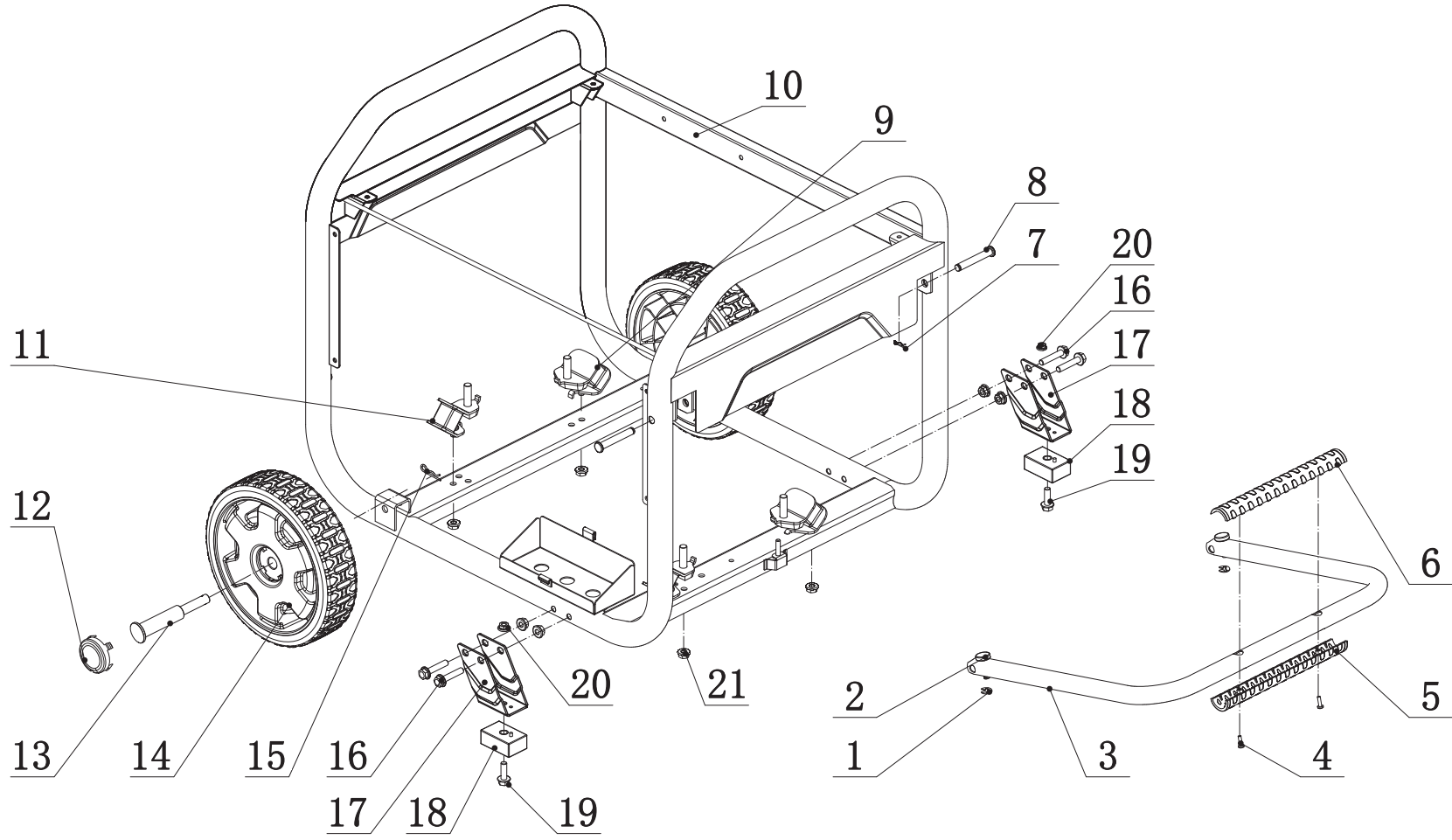
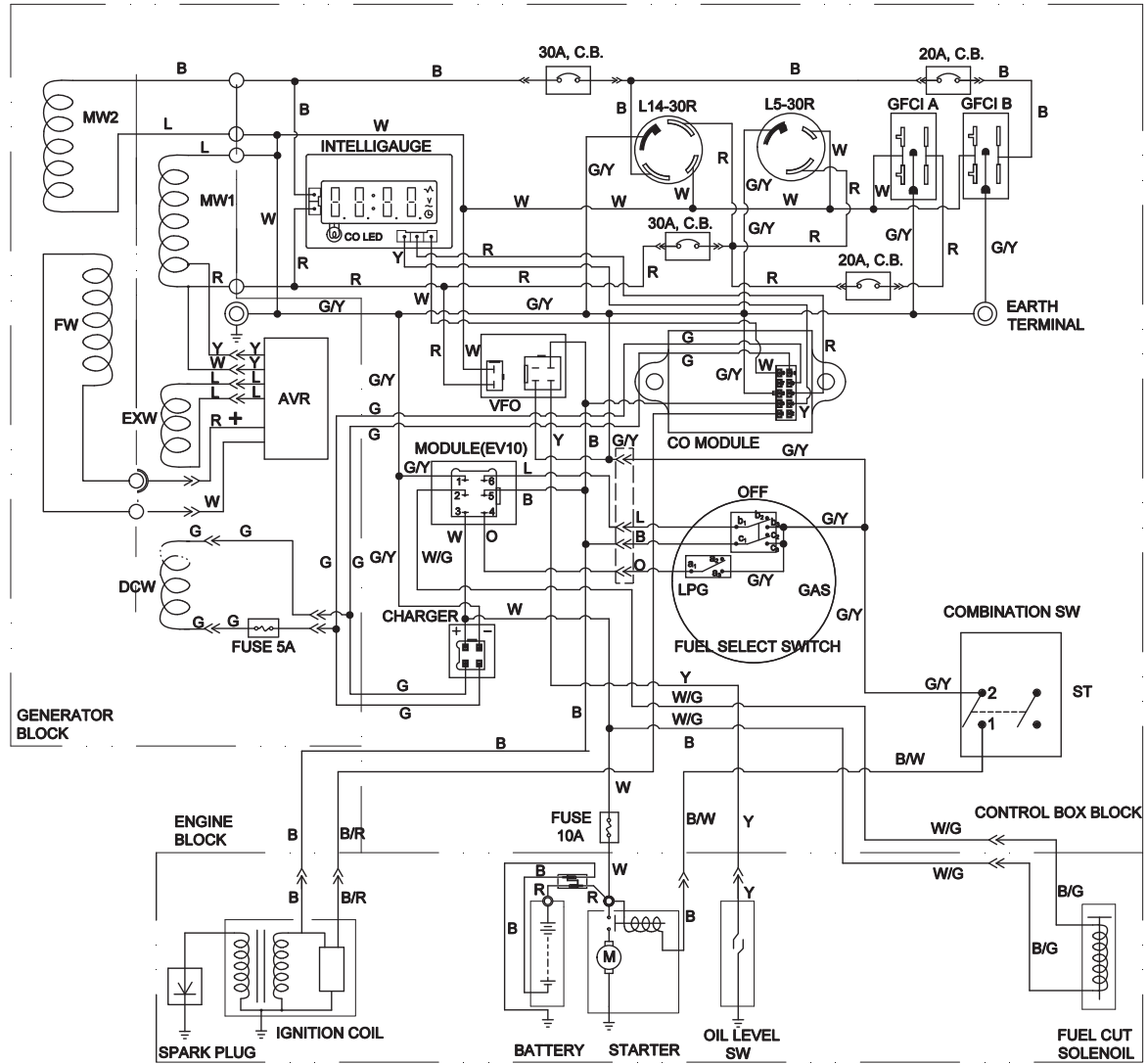


Figure H

## FRAME PARTS LIST

#	Part Number	Description	Qty.
1	1.894.1.08	Circlip Ø8	2
2	152.200703.02	Short Pin, Handle	2
3	152.200701.22	Handle, U Shape	1
4	1.818.0414.1	Screw M4 x 14, Black	2
5	122.200702.13	Handle Cover, Upper	1
6	122.200702.14	Handle Cover, Lower	1
7	11.110008.00	"R" Shape	2
8	152.200703.02	Short Pin, Handle	2
9	152.201200.04	Motor Mount 2	2
10	65300.0.10.2	Frame, 700 x 576 x 585mm	1
11	152.201200.03	Motor Mount 1	2
12	122.201702.11.48	Wheel Cover, Tooth Profile 8-10 in, Yellow	2
13	122.201501.23.1	Pin Roll, Wheel, Ø16 x Ø10 x 97, Black	2
14	152.201701.13.48	9.5 in. Wheel, PU, Yellow	2
15	2.16.001.1	Pin Ø2 x 33, "R" Shape, Black	2
16	1.5789.0850.1	Flange Bolt M8 x 50, Black	4
17	152.200002.18.2	Support Leg, 78 mm, Black	2
18	122.201400.04	Rubber, Foot	2
19	1.5789.0825.1	Flange Bolt M8 x 25, Black	2
20	1.6177.1.08.1	Lock Nut M8, Flange, Black	6
21	1.6177.1.08	Lock Nut M8, Flange	4

# WIRING DIAGRAM



	a <sub>2</sub>	a <sub>1</sub>	a <sub>2</sub>	b <sub>2</sub>	b <sub>1</sub>	c <sub>2</sub>	c <sub>1</sub>	c <sub>2</sub>
GAS	○	○	○	○	○	○	○	○
OFF	○	○	○	○	○	○	○	○
LPG	○	○	○	○	○	○	○	○

COMBINATION SWITCH

	1	2
ST	○	○

B	BLACK	Br	BROWN
Y	YELLOW	B/W	BLACK WHITE
L	BLUE	W/G	WHITE GREEN
G	GREEN	G/Y	GREEN YELLOW
R	RED	W/L	WHITE BLUE
W	WHITE	B/G	BLACK GREEN
O	ORANGE		