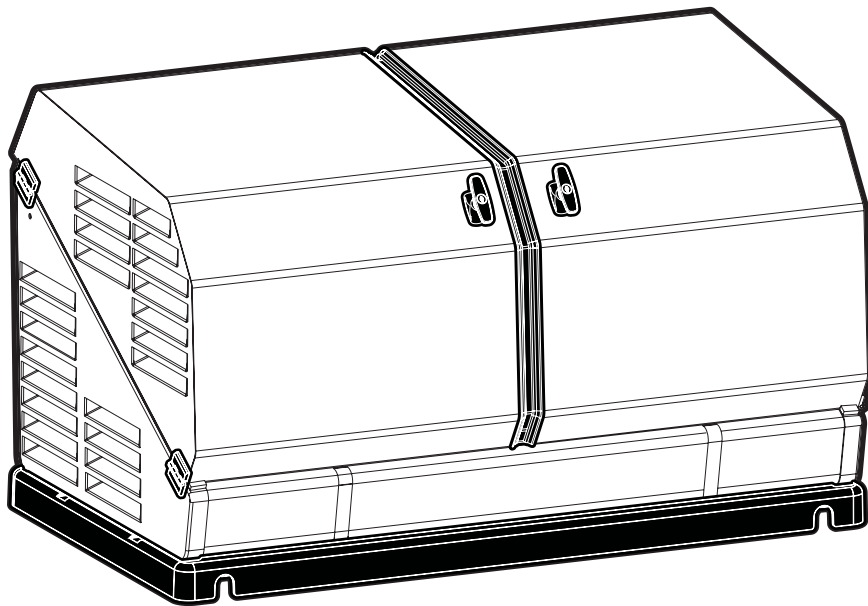




Champion Power Equipment, Inc., Santa Fe Springs, CA USA

MODEL #100237



PARTS INFORMATION

14 KW HOME STANDBY GENERATOR

SERIAL NUMBER RANGE: ALL

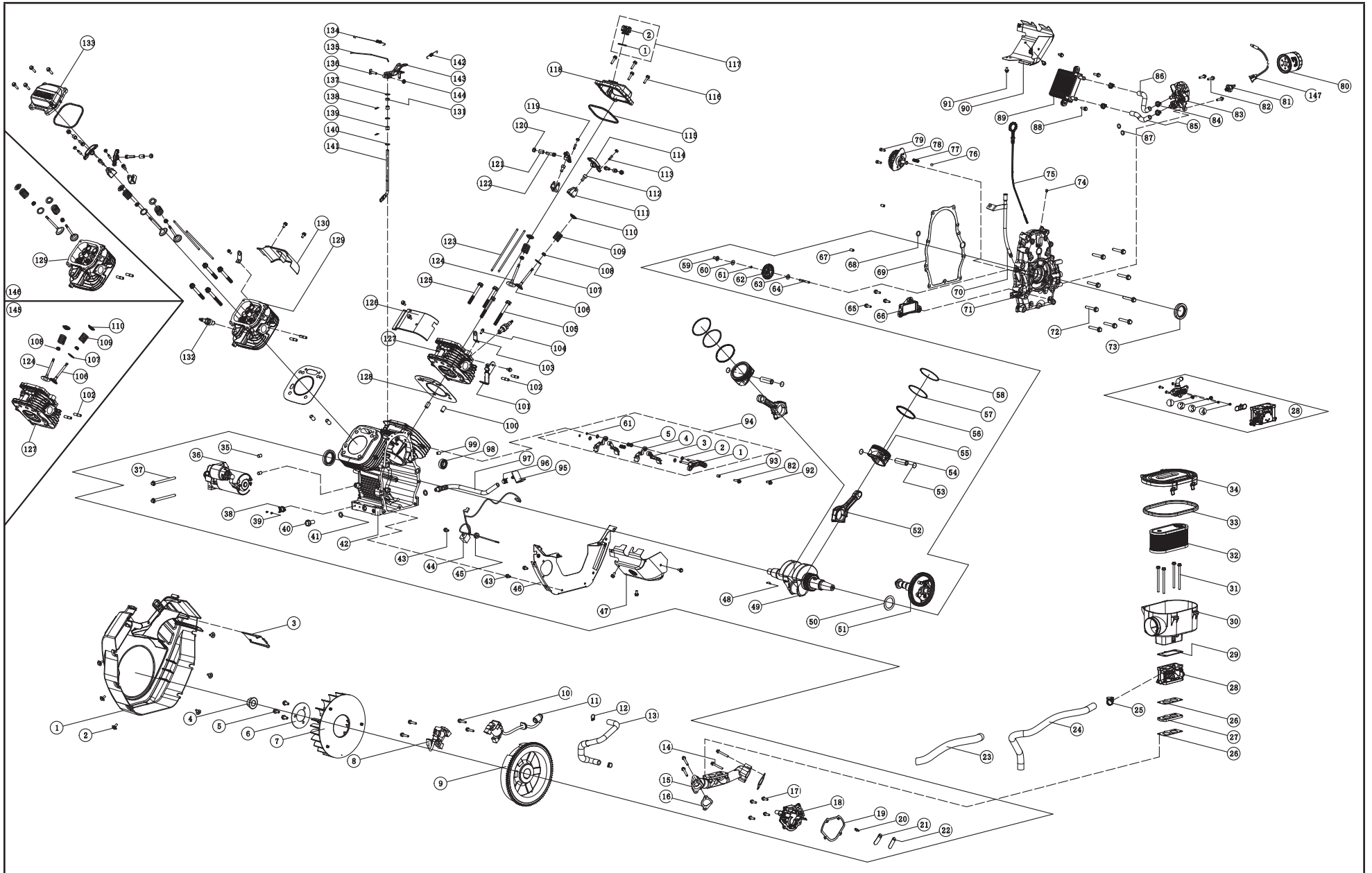


To order replacement parts please visit:
shop.championpowerequipment.com
or call **1-877-338-0999**.

TABLE OF CONTENTS

| | |
|--|-----------|
| Engine Parts Diagram | 3 |
| Engine Parts List | 4 |
| Enclosure and Assemblies Parts Diagram | 7 |
| Enclosure and Assemblies Parts List | 8 |
| Top Cover Assembly, Left Parts Diagram | 10 |
| Top Cover Assembly, Left Parts List | 11 |
| Top Cover Assembly, Right Parts Diagram | 12 |
| Top cover Assembly, Right Parts List | 13 |
| Alternator and Exhaust System Parts Diagram | 14 |
| Alternator and Exhaust System Parts List | 15 |
| Control Panel Parts Diagram | 16 |
| Control Panel Parts List | 17 |
| Wiring Diagram | 18 |

ENGINE PARTS DIAGRAM



ENGINE PARTS LIST

| # | Part Number | Description | Qty. |
|----|---------------|---|------|
| 1 | 101027 | Cover, Fan, (Rotating Screen With Oil Cooler Ribs) | 1 |
| 2 | 2.08.083 | Bolt, Hex Flange M6 x 12 | 6 |
| 3 | 717.070004.00 | Bracket, Fuel Pump | 1 |
| 4 | 1.6177.20 | Nut, M20 x 1.5 Flange | 1 |
| 5 | 1.5789.0816 | Hex Flange Bolt, M8 x 16 | 3 |
| 6 | 61.080005.00 | Plate, Fan | 1 |
| 7 | 717.080001.00 | Fan, Cooling | 1 |
| 8 | 717.123000.03 | Ignition Coil Assembly, Cylinder 1, EMC | 1 |
| 9 | 100922 | Flywheel Assembly | 1 |
| 10 | 1.5789.0629 | Hex Flange Bolt, M6 x 29 | 4 |
| 11 | 717.123000.04 | Ignition Coil Assembly, Cylinder 2, EMC | 1 |
| 12 | 2.06.009 | Clamp, Ø17xØ1.5 | 2 |
| 13 | 100303 | Tube, Breather | 1 |
| 14 | 1.16674.0640 | Hex Small Flange Bolt, M6 x 40 | 4 |
| 15 | 717.130012.00 | Intake Manifold | 1 |
| 16 | 717.130011.00 | Gasket, Intake Manifold | 2 |
| 17 | 1.16674.0620 | Hex Flange Bolt, M6 x 20 | 4 |
| 18 | 100486 | Cover, Breather | 1 |
| 19 | 100504 | Gasket, Breather Cover | 1 |
| 20 | 1.823.0410 | Screw, Small Pan Head M4 x 10 | 2 |
| 21 | 101767 | Retainer, Reed Valve | 1 |
| 22 | 100693 | Reed Valve | 1 |
| 23 | 101482 | Protective Sleeve | 1 |
| 24 | 100342 | Hose, Gaseous Fuel Id 12.7 | 1 |
| 25 | 100825 | Clamp Hose Ø16-Ø25 | 1 |
| 26 | 100258 | Gasket, Carburetor | 2 |
| 27 | 61.130001.00 | Insulator, Carburetor | 1 |

| # | Part Number | Description | Qty. |
|-----|---------------|--|------|
| 28 | 101495 | Mixer Assembly | 1 |
| NG | 1 101488 | Main Jet - Right | 1 |
| | 2 100928 | Main Jet - Left | 1 |
| LPG | 1 101515 | Main Jet - Right | 1 |
| | 2 100909 | Main Jet - Left | 1 |
| | 3 101032 | Slow Jet - Right | 1 |
| | 4 100671 | Slow Jet - Left | 1 |
| 29 | 717.090005.00 | Gasket, Ac Assembly | 1 |
| 30 | 101490 | Base Assembly, Air Cleaner | 1 |
| 31 | 1.5789.0688 | Hex Flange Bolt, M6 x 88 | 4 |
| 32 | 101494 | Air Filter Assembly | 1 |
| 33 | 101004 | Seal, Ac Base | 1 |
| 34 | 101847 | Cover, Ac Base | 1 |
| 35 | 100829 | Pin, Dowel Ø10 x 14 | 2 |
| 36 | 101115 | Motor Assembly, 24V Solenoid Shift Starter | 1 |
| 37 | 1.16674.08110 | Hex Small Flange Bolt, M8 x 110 | 2 |
| 38 | 102386 | Switch, Thermal Shutdown | 1 |
| 39 | 1.823.0306.1 | Screw, M3 x 6 | 2 |
| 40 | 2.08.039 | Bolt, Drain, M12 x 1.5 x 15 | 1 |
| 41 | 2.03.023 | Washer, Drain Bolt, Ø12.5 x Ø20 x 2 | 2 |
| 42 | 101014 | Crankcase Component | 1 |
| 43 | 1.5789.0612 | Hex Flange Bolt M6 x 12 | 12 |
| 44 | 61.120800.00 | Diode Assembly, Engine Stop | 1 |
| 45 | 2.12.004 | Grommet Ø9.5 x 10 | 1 |
| 46 | 100470 | Air Board, Assembly, Internal Oil Cooler | 1 |
| 47 | 717.080500.00 | Air Guide, Outer Cylinder 1 Assembly | 1 |
| 48 | 2.14.005 | Key, Flywheel, 4 x 5.5 x 12.5 | 1 |
| 49 | 717.051101.04 | Assembly, Crankshaft - Taper Pto | 1 |

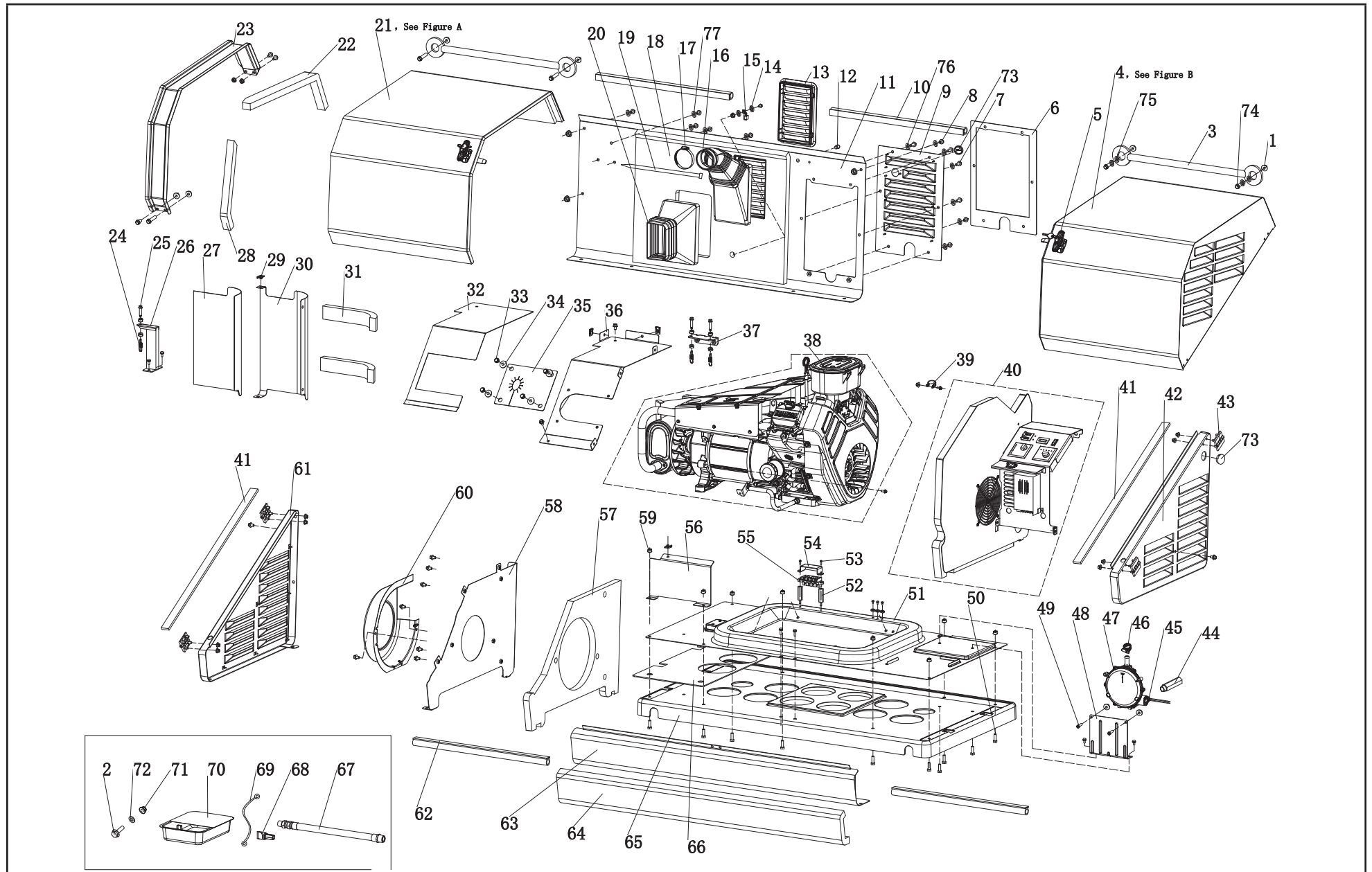
| # | Part Number | Description | Qty. |
|----|---------------|--|------|
| 50 | 2.03.026 | Washer, Crankshaft Thrust, Ø39 x Ø54 x 1.2 | 1 |
| 51 | 101454 | Camshaft Assembly | 1 |
| 52 | 717.050200.00 | Assembly, Connecting Rod | 2 |
| 53 | 2.09.009 | Retainer, Piston Pin, Ø17 x Ø1 | 4 |
| 54 | 100968 | Pin, Piston, Ø17 x 53.8 mm | 2 |
| 55 | 101426 | Piston, 80 mm, 1.5 mm, Dish Ceramic Crown | 2 |
| 56 | 101511 | Ring Assembly, Oil Control | 2 |
| 57 | 101508 | Ring, Piston, 2nd | 2 |
| 58 | 101507 | Ring, Top Piston | 2 |
| 59 | 45.110012.00 | Bushing, Governor Gear | 1 |
| 60 | 2.03.053 | Washer, Ø6.2 x Ø17 x 0.8 | 1 |
| 61 | 21.110011.00 | Clip, Retaining | 3 |
| 62 | 61.110100.00 | Gear Assembly, Governor | 1 |
| 63 | 2.03.054 | Washer, Ø6.2 x Ø15 x 1 | 1 |
| 64 | 45.110013.00 | Shaft, Governor Gear | 1 |
| 65 | 1.5789.0620 | Hex Flange Bolt, M6 x 20 | 3 |
| 66 | 61.150300.00 | Oil Filter Component | 1 |
| 67 | 2.04.002 | Location Pin Ø8 x 14 | 2 |
| 68 | 100596 | O-Ring Ø12 x Ø3.5 | 1 |
| 69 | 100261 | Gasket, Crankcase Cover | 1 |
| 70 | 100726 | Tube, Oil Dipstick Assembly | 1 |
| 71 | 100268 | Cover, Crankcase | 1 |
| 72 | 1.5789.0850 | Hex Flange Bolt, M8 x 50 | 9 |
| 73 | 2.11.010 | Seal, Pto Oil, Ø38 x Ø58 x 9 | 2 |
| 74 | 61.030011.00 | Plug, Crankcase Cover | 1 |
| 75 | 100699 | Blade Assembly, Oil Dipstick | 1 |
| 76 | 1.308.9.5 | Ball Ø9.5, Steel Check Valve | 1 |
| 77 | 61.150004.00 | Spring, Compression | 1 |
| 78 | 61.151000.00 | Pump Assembly, Oil | 1 |

| # | Part Number | Description | Qty. |
|----|---------------------|--|------|
| 79 | 1.70.0616 | Screw, M6 x 16, Socket Head Cap | 2 |
| 80 | 100916 | Filter, Oil | 1 |
| | S/N: < 18JUL1901238 | | |
| | 101766 | | |
| | S/N: 18JUL1901238 + | | |
| 81 | 102446 | Switch, Low Oil Shut-Down 0.6 Bar | 1 |
| 82 | 1.16674.0625 | Hex Small Flange Bolt, M6 x 25 | 4 |
| 83 | 101719 | Base Assembly, Oil Filter With Oil Cooler And Oil Pressure Switch | 1 |
| 84 | 100847 | Clamp Ø17, Oil Hose | 4 |
| 85 | 100942 | Hose 2, Oil Line | 1 |
| 86 | 100941 | Hose 1, Oil Line | 1 |
| 87 | 2.07.004 | O-Ring Ø12 x Ø2.5 | 2 |
| 88 | 1.5789.0620 | Hex Flange Bolt, M6 x 20 | 2 |
| 89 | 101723 | Oil Cooler Assembly, Internal Mount | 1 |
| 90 | 717.080600.00 | Air Guide, Outer, Cylinder 2 Assembly | 1 |
| 91 | 1.5789.0608 | Hex Flange Bolt, M6 x 8 | 2 |
| 92 | 1.16674.0616 | Hex Small Flange Bolt, M6 x 16 | 1 |
| 93 | 2.04.005 | Pin, Ø8 x 10, Location | 1 |
| 94 | 101478 | Follower Assembly, Camshaft | 1 |
| | 1 101475 | Follower Pivot Assembly, Camshaft | 1 |
| | 2 2.03.021.1 | Washer, Governor Shaft, Ø6.4 x Ø13 x 1 | 4 |
| | 3 100485 | Follower, Camshaft | 2 |
| | 4 61.040019.01 | Follower, Camshaft | 2 |
| | 5 61.041001.00 | Spring, Support | 2 |
| 95 | 45.030200.00 | Retainer, Oil Drain Hose | 1 |
| 96 | 2.06.013 | Hose Clamp, Ø13.5 x b10 | 1 |
| 97 | 45.032000.00 | Hose, Oil Drain | 1 |
| 98 | 1.276.6003.1 | Bearing, Roller Ø35 x Ø17 x 10 | 1 |
| 99 | 717.030026.01 | Plug, Npt1/8-27 Hexagon Socket | 1 |

| # | Part Number | Description | Qty. |
|-----|---------------|---------------------------------------|------|
| 100 | 2.04.004 | Pin, Ø12 x 20 Location | 4 |
| 101 | 100170 | Bracket, Governor Spring | 1 |
| 102 | 2.01.010 | Bolt M8 x 35, Exhaust Stud | 4 |
| 103 | 717.010003.00 | Lift Strap | 2 |
| 104 | 1.16674.0820 | Hex Small Flange Bolt, M8 x 20 | 2 |
| 105 | 2.08.122 | Bolt, Hex Flange M10 x 95 | 2 |
| 106 | 100179 | Valve, Exhaust | 2 |
| 107 | 717.040015.00 | Shim, Valve Spring | 2 |
| 108 | 101881 | Oil Seal, Valve Stem | 4 |
| 109 | 45.040003.00 | Spring, Valve | 4 |
| 110 | 45.040001.00 | Retainer, Intake Valve | 4 |
| 111 | 717.040202.00 | Bracket, Rocker Arm | 4 |
| 112 | 1.70.1.0816 | Screw, M8 x 16 Socket Head Cap | 4 |
| 113 | 22.040012.00 | Adjusting, Lash | 4 |
| 114 | 717.040200.02 | Rocker Arm | 4 |
| 115 | 101644 | Gasket, Rocker Cover | 2 |
| 116 | 1.5789.0625 | Hex Flange Bolt, M6 x 25 | 8 |
| 117 | 102357 | Cap, Oil Fill Assembly | 1 |
| | 1 2.07.001 | Seal, Cap Oil Fill, Ø25.5 x Ø3.5 | 1 |
| | 2 101813 | Cap, Oil Fill | 1 |
| 118 | 102261 | Rocker Cover Assembly, Oil Fill | 1 |
| 119 | 21.040021.00 | Jam Nut, M6 x 0.5 mm Pitch | 4 |
| 120 | 1.6170.08 | Hex Nut, Gb6170, M8 | 4 |
| 121 | 717.040016.00 | Sleeve, Rocker Arm | 4 |
| 122 | 2.08.086 | Bolt, M8 x 1.25 Hhw Special | 4 |
| 123 | 717.040005.00 | Push Rod | 4 |
| 124 | 45.040002.00 | Valve, Intake | 2 |
| 125 | 2.08.014 | Bolt, Hex Flange M10 x 80 | 6 |
| 126 | 717.080300.02 | Air Guide Assembly, Inner Cylinder #2 | 1 |
| 127 | 717.010100.20 | Head Assembly, Cylinder 2 | 1 |

| # | Part Number | Description | Qty. |
|-----|---------------|--|------|
| 128 | 100841 | Gasket Assembly, Cylinder Head | 2 |
| 129 | 717.010100.10 | Head Assembly, Cylinder 1 | 1 |
| 130 | 717.080300.01 | Air Guide, Inner Cylinder 1 Assembly | 1 |
| 131 | 2.11.006 | Shaft Oil Seal, Ø7 x Ø14 x 5 | 1 |
| 132 | 2.15.008 | Spark Plug, F7RTC | 2 |
| 133 | 102263 | Rocker Cover Assembly | 1 |
| 134 | 102428 | Spring, Link Take Up | 1 |
| 135 | 100223 | Link, Governor | 1 |
| 136 | 2.08.107 | Bolt, Governor Arm | 1 |
| 137 | 2.03.019 | Washer, Ø8.2 x Ø17 x 0.8 | 1 |
| 138 | 61.110008.00 | Pin, Shaft | 2 |
| 139 | 1.5801.0810 | Bearing, Roller | 2 |
| 140 | 1.97.1.08 | Washer Ø8 | 2 |
| 141 | 61.110001.00 | Shaft, Governor | 1 |
| 142 | 100432 | Spring, Governor | 1 |
| 143 | 100178 | Lever, Governor Arm | 1 |
| 144 | 1.6177.06 | Nut, M6 Hexagon Flange | 1 |
| 145 | 717.010000.02 | Cylinder Head Assembly 2 | 1 |
| 146 | 717.010000.01 | Cylinder Head Assembly 1 | 1 |
| 147 | 5.1910.002 | Wire Assembly, Switch, Low Oil Shut-Down | 1 |

ENCLOSURE AND ASSEMBLIES PARTS DIAGRAM



ENCLOSURE AND ASSEMBLIES PARTS LIST

| # | Part Number | Description | Qty. |
|----|------------------|--|------|
| 1 | 1.6177.1.06 | Flange Lock Nut M6 | 24 |
| 2 | 1.5789.0615 | Flange bolt, M6 x 15 | 6 |
| 3 | 161.200507.00 | Curb Chain Assembly, Cover | 2 |
| 4 | 164.200500.61.24 | Top Cover Assembly, Right, Silk Grey, Flame Retardant and textured, See Figure B | 1 |
| 5 | 161.200110.00 | Hook Lock Assembly | 2 |
| 6 | 161.200021.16.6 | Seal, Access Cover, Flame Retardant | 1 |
| 7 | 1.16674.0820 | Flange bolt, M8 x 20 | 9 |
| 8 | 1.16674.0812 | Flange bolt, M8 x 12 | 26 |
| 9 | 161.200402.60.24 | Access Cover, Electric Cabinet, Silk Grey, Flame Retardant and textured | 1 |
| 10 | 161.200109.63 | Rubber Strip, 575 mm, Flame Retardant | 2 |
| 11 | 164.200401.60.24 | Rear Cover, Silk Grey, Flame Retardant and textured | 1 |
| 12 | 5.1460.015 | Indicator Light, 24 v | 1 |
| 13 | 161.192100.60 | Supporter, Air Guide, Alternator, Flame Retardant | 2 |
| 14 | 1.862.06 | Toothed Lock Washer, Ø6 | 5 |
| 15 | 5.1560.000 | Ground Wire Terminal, Ø6, UL | 1 |
| 16 | 717.090004.21 | Pipe, Air Cleaner | 1 |
| 17 | 2.06.036 | Clamp, Ø75 | 1 |
| 18 | 164.200021.00.6 | Acoustic Panel, Rear Center Chamber, Flame Retardant | 1 |
| 19 | 9.3410.02 | Nylon Cable Ties, 5 x 500 mm | 1 |
| 20 | 161.192300.00 | Air Guide, Alternator | 1 |
| 21 | 163.200500.60.24 | Top Cover Assembly, Left, Silk Grey, Flame Retardant and textured, See Figure A | 1 |
| 22 | 161.200021.17.6 | Seal Strip, Top Cover, Long, 625 x 50 x 25 mm, Flame Retardant | 1 |

| # | Part Number | Description | Qty. |
|----|------------------|---|------|
| 23 | 161.201600.02.1 | Gutter, Black | 1 |
| 24 | 161.100006.00 | Spring , Muffler | 3 |
| 25 | 2.08.119 | Flange Bolt M8 x 35, Muffler | 3 |
| 26 | 163.1010005.00.2 | Supportor, Muffler, Bottom, Black | 1 |
| 27 | 161.200021.13.6 | Acoustic Panel, Muffler Cover, Front, Flame Retardant | 1 |
| 28 | 161.200021.18.6 | Seal Strip, Top Cover, Short, 50 x 320 x 25 mm, Flame Retardant | 1 |
| 29 | 2.02.032 | Cage Nut, M8 | 4 |
| 30 | 161.200017.63.24 | Muffler Cover, Back, Silk Grey, Flame Retardant and textured | 1 |
| 31 | 161.200021.15.6 | Foams, Muffler Cover, Back, Flame Retardant | 2 |
| 32 | 163.200021.03.6 | Acoustic Panel, Muffler Cover, top, Flame Retardant | 1 |
| 33 | 1.5789.0612 | Flange Bolt, M6 x 12 | 8 |
| 34 | 2.03.004 | Washer, Ø24 x Ø6.5 x 1.5 | 4 |
| 35 | 163.200017.01 | Thermal Baffle | 1 |
| 36 | 163.200017.60.24 | Muffler Cover, Top, Silk Grey, Flame Retardant and textured | 1 |
| 37 | 161.1010005.00.2 | Supportor, Muffler, Top, Black | 1 |
| 38 | 100237.901 | Generator Assembly (Power Pack) | 1 |
| 39 | 2.06.037 | Clamp, Ø28 | 1 |
| 40 | 100237.902 | Control Panel Assembly | 1 |
| 41 | 161.200021.02.6 | Seal Strip, Right/Left Cover, Flame Retardant | 2 |
| 42 | 161.200300.60.24 | Right Cover Assembly, Silk Grey, Flame Retardant and textured | 1 |
| 43 | 161.201900.00 | Hinge | 4 |
| 44 | 161.130021.02 | Galvanized Pipe, NPT 3/4 | 1 |
| 45 | 5.1910.004 | Wiring | 1 |

| # | Part Number | Description | Qty. |
|----|------------------|--|------|
| 46 | 2.06.015 | Clamp, Ø16-Ø25 | 1 |
| 47 | 161.136000.04.1 | Pressure Reducing Valve, LPG/NG | 1 |
| 48 | 161.200018.00 | Supportor, Pressure Reducing Valve | 1 |
| 49 | 1.5789.0629 | Flange bolt, M6 x 29 | 2 |
| 50 | 1.5783.0825 | Bolt, M8 x 25 | 8 |
| 51 | 161.200601.60.24 | Base Center, Silk Grey, Flame Retardant and textured | 1 |
| 52 | 2.08.133 | Male Female bolt,M5 x 50 | 2 |
| 53 | 1.16674.0516 | Flange bolt, M5 x 16 | 2 |
| 54 | 161.210018.00 | Cover,Terminal Block | 1 |
| 55 | 161.210011.02 | Terminal Block, 60A, 90° Angle | 1 |
| 56 | 161.200017.61.24 | Muffler Cover, Front, Silk Grey, Flame Retardant and textured | 1 |
| 57 | 163.200021.00.6 | Acoustic Panel, Left Firewall, Flame Retardant | 1 |
| 58 | 163.200005.61.24 | Firewall, Left, Silk Grey, Flame Retardant and textured | 1 |
| 59 | 1.6177.1.08 | Flange Lock Nut, M8 | 21 |
| 60 | 163.192300.00.2 | Fan Cover, Rotor, Black | 1 |
| 61 | 161.200200.60.24 | Left Cover, Silk Grey, Flame Retardant and textured | 1 |
| 62 | 161.200109.62 | Rubber Strip, 530 mm, Flame Retardant | 2 |
| 63 | 161.200101.60.24 | Front Cover , Silk Grey, Flame Retardant and textured | 1 |
| 64 | 161.200021.11.6 | Foams, Front Cover, Flame Retardant | 1 |
| 65 | 161.201800.00 | Plastic Pallet, PP | 1 |
| 66 | 163.200021.10.6 | Foams, Heat Insulation, Flame Retardant | 1 |
| 67 | 163.130021.01 | LPG Hose With NPT3/4 Nipple | 1 |
| 68 | 9.1120.001 | Screwdriver, Jet | 1 |
| 69 | 5.1900.074 | Battery Jump Wire, 275 mm, 6 AWG | 1 |
| 70 | 161.200023.00.1 | Oil Container, Black | 1 |
| 71 | 1.6182.06 | Lock Nut M6, Flange | 4 |

| # | Part Number | Description | Qty. |
|----|---------------|-----------------------------|------|
| 72 | 1.97.1.06 | Washer, Ø6 | 4 |
| 73 | 161.080007.00 | Cap, Ø35 | 2 |
| 74 | 1.5789.0620 | Flange bolt, M6 x 20 | 4 |
| 75 | 1.97.1.08 | Washer, Ø8 | 4 |
| 76 | 2.03.065 | Insulating Washer, Ø8 × Ø17 | 16 |
| 77 | 2.03.064 | Insulating Washer, Ø6 × Ø12 | 4 |

TOP COVER ASSEMBLY, LEFT PARTS DIAGRAM

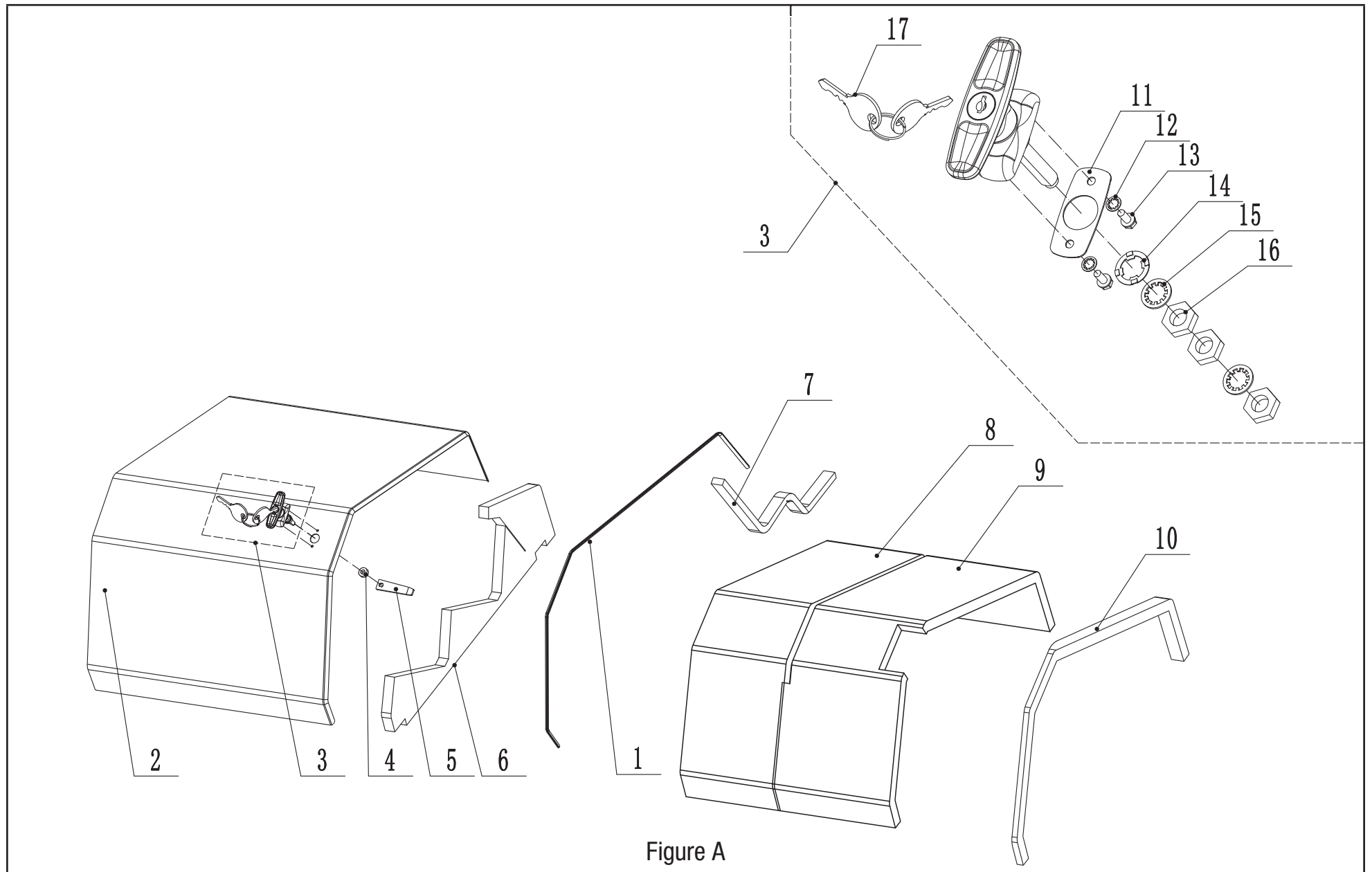


Figure A

TOP COVER ASSEMBLY, LEFT PARTS LIST

| # | Part Number | Description | Qty |
|----|------------------|------------------------------------|-----|
| 1 | 161.200109.00 | Seal Strip, 20x1150x8mm, Gutter | 1 |
| 2 | 161.200500.00.24 | Top Cover, Left | 1 |
| 3 | 161.200110.00 | Handle Assembly | 1 |
| 4 | 2.13.027 | Bushing, Ø10.5×Ø16×7.5 | 1 |
| 5 | 161.201004.00 | Locking Plate | 1 |
| 6 | 163.200021.06 | Acoustic Panel, Left Cover, Side | 1 |
| 7 | 161.200021.19 | Seal Strip, Top Cover, 32x560x15mm | 1 |
| 8 | 161.200021.20 | Acoustic Panel, Cover, Top | 1 |
| 9 | 163.200021.08 | Acoustic Panel, Left Cover, Top | 1 |
| 10 | 161.200021.01 | Seal, Gutter | 1 |
| 11 | 161.200110.00.07 | Rubber Gasket, Handle | 1 |
| 12 | 161.200110.00.02 | Locking Washer, Ø5 | 2 |
| 13 | 161.200110.00.03 | Bolt, M5X12 | 2 |
| 14 | 161.200110.00.04 | Wave Washer Ø10 | 1 |
| 15 | 161.200110.00.05 | Locking Washer, Ø10 | 2 |
| 16 | 161.200110.00.06 | Nut, M10 | 3 |
| 17 | 161.200110.00.01 | Key, Handle | 1 |

TOP COVER ASSEMBLY, RIGHT PARTS DIAGRAM

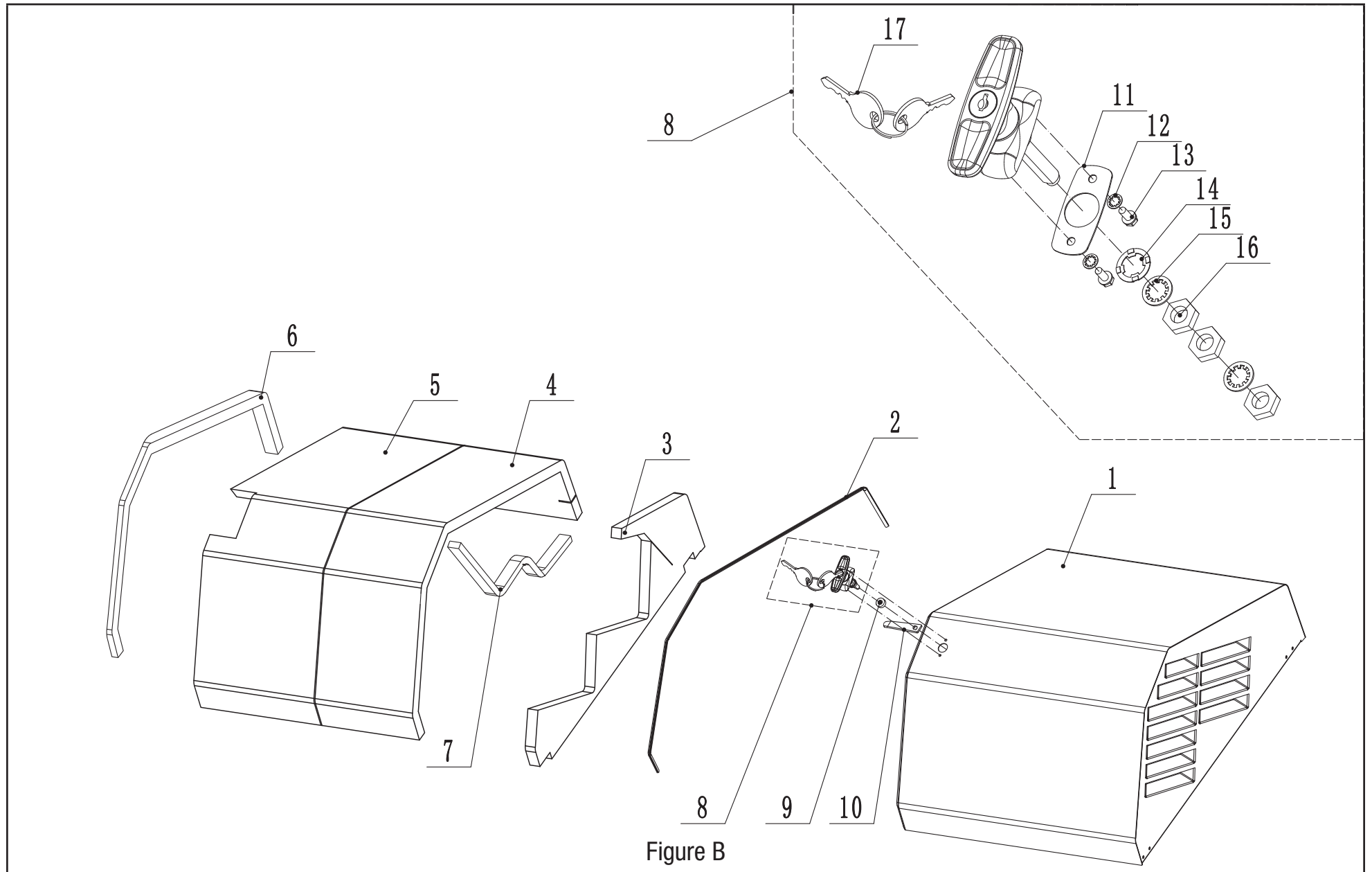
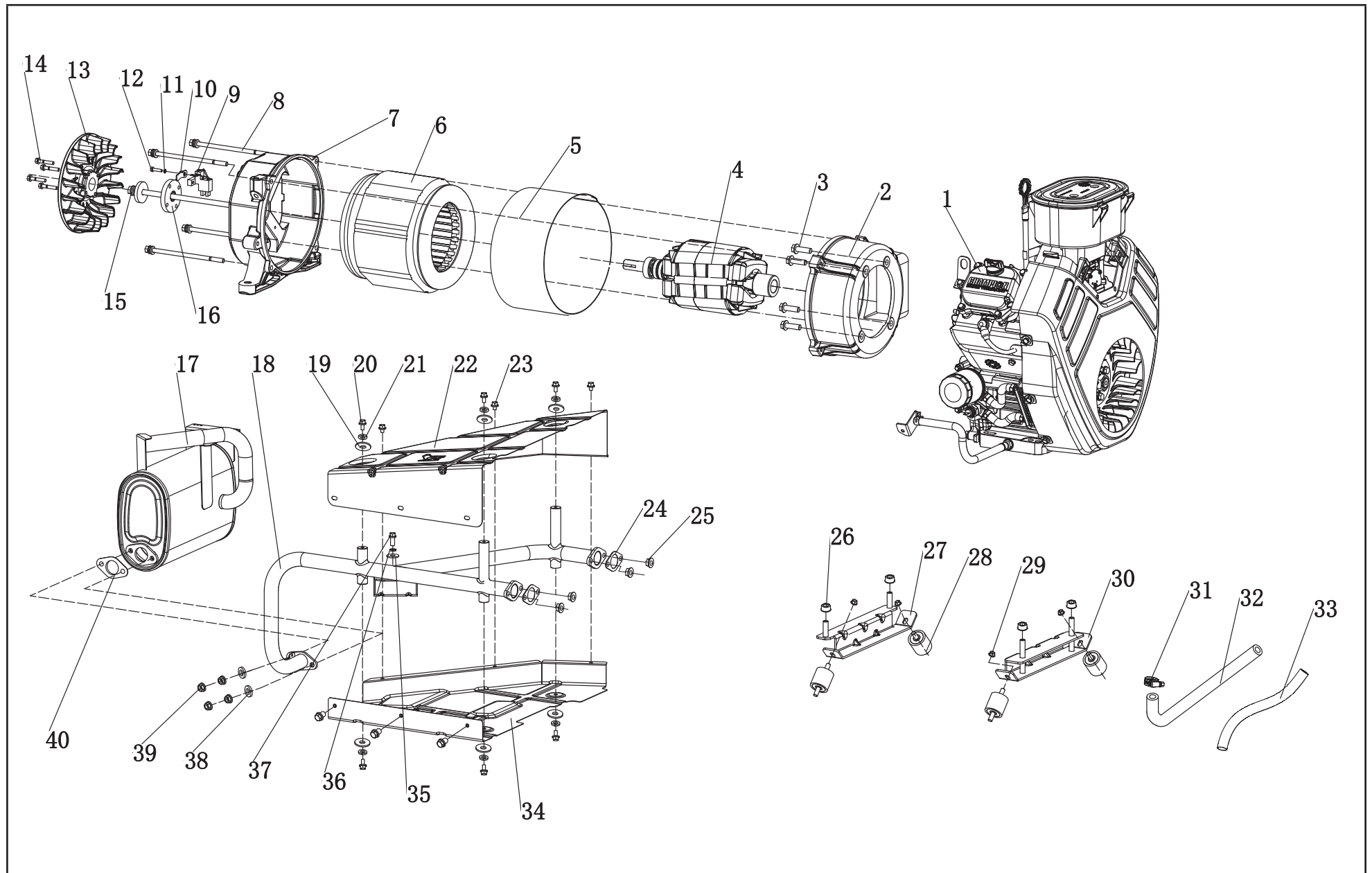


Figure B

TOP COVER ASSEMBLY, RIGHT PARTS LIST

| # | Part Number | Description | Qty |
|----|------------------|--------------------------------------|-----|
| 1 | 161.200500.01.24 | Top Cover Assembly, Right | 1 |
| 2 | 161.200109.00 | Seal Strip, 20x1150x8mm, Gutter | 1 |
| 3 | 163.200021.07 | Acoustic Panel, Right Cover, Side | 1 |
| 4 | 161.200021.20 | Acoustic Panel, Cover, Top | 1 |
| 5 | 161.200021.10 | Acoustic Panel, Right Cover, Top | 1 |
| 6 | 161.200021.01 | Seal Strip, 20x1150x8mm, Gutter | 1 |
| 7 | 161.200021.19 | Seal Strip, Top Cover, 32 x 560 x 15 | 1 |
| 8 | 161.200110.00 | Handle Assembly | 1 |
| 9 | 2.13.027 | Bushing, Ø10.5×Ø16×7.5 | 1 |
| 10 | 161.201004.00 | Locking Plate | 1 |
| 11 | 161.200110.00.07 | Rubber Gasket, Handle | 1 |
| 12 | 161.200110.00.02 | Locking Washer, Ø5 | 2 |
| 13 | 161.200110.00.03 | Bolt, M5X12 | 2 |
| 14 | 161.200110.00.04 | Wave Washer, Ø10 | 1 |
| 15 | 161.200110.00.05 | Locking Washer, Ø10 | 2 |
| 16 | 161.200110.00.06 | Nut, M10 | 3 |
| 17 | 161.200110.00.01 | Key, Handle | 1 |

ALTERNATOR AND EXHAUST SYSTEM PARTS DIAGRAM

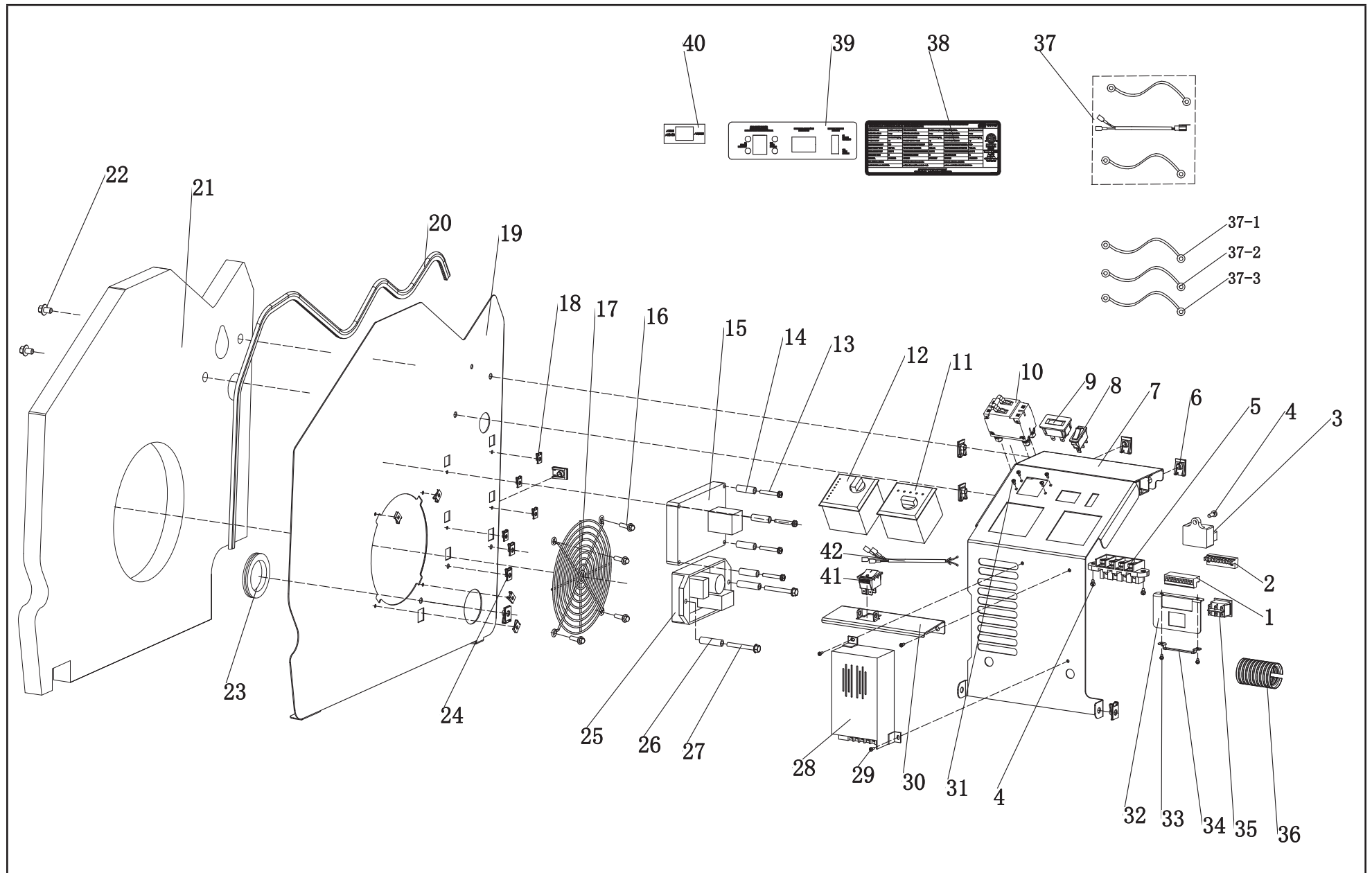


ALTERNATOR AND EXHAUST SYSTEM PARTS LIST

| # | Part Number | Description | Qty. |
|----|-----------------|--------------------------------|------|
| 1 | 100206 | Engine | 1 |
| 2 | 161.190007.00 | Front Housing, Stator | 1 |
| 3 | 1.5789.1022 | Flange Bolt, M10 x 22 | 4 |
| 4 | 164.191100.00 | Rotor Component, Ø135 x 170 | 1 |
| 5 | 164.191002.00 | Stator Cover | 1 |
| 6 | 164.191200.00 | Stator Assembly, Ø230 x 170 | 1 |
| 7 | 161.190002.00 | End Housing, Stator | 1 |
| 8 | 2.08.131 | Bolt Assembly, M8 x 220 | 4 |
| 9 | 161.190300.00 | Carbon Brush Assembly | 1 |
| 10 | 122.190004.01 | Pinch, Carbon Brush | 1 |
| 11 | 1.93.05 | Lock Washer, Ø5 | 1 |
| 12 | 1.5783.0520 | Bolt, M5 x 20 | 1 |
| 13 | 164.190001.00 | Rotor Fan, 14 KW Aluminum | 1 |
| 14 | 1.5789.0629 | Flange Bolt, M6 x 29 | 4 |
| 15 | 2.08.130 | Flange Bolt Assembly, M10 x385 | 1 |
| 16 | 164.190019.00 | Flange Plate, Fan | 1 |
| 17 | 163.101000.00 | Muffler Assembly | 1 |
| 18 | 164.101001.00 | Exhaust Pipe | 1 |
| 19 | 2.03.004 | Washer, Ø24 x Ø6.5 x 1.5 | 6 |
| 20 | 1.5789.0615 | Flange bolt, M6 x 15 | 6 |
| 21 | 1.93.06 | Lock Washer, Ø6 | 6 |
| 22 | 164.080009.00.2 | Air Guide, Muffler Pipe, Above | 1 |
| 23 | 1.9074.17.0612 | Screw/Washer Assembly, M6 x 12 | 6 |
| 24 | 717.100001.00 | Gasket, Exhaust Pipe | 2 |
| 25 | 1.6187.1.08 | Nut, M8 | 4 |
| 26 | 1.6177.1.10 | Flange Lock Nut, M10 | 4 |
| 27 | 161.201600.01 | Supportor, End Housing | 1 |
| 28 | 161.200605.00 | Motor Mount | 4 |

| # | Part Number | Description | Qty. |
|----|-----------------|----------------------------------|------|
| 29 | 1.6177.1.08 | Flange Lock Nut, M8 | 4 |
| 30 | 164.201600.00 | Supportor, Engine | 1 |
| 31 | 2.06.015 | Clamp, Ø16-Ø25 | 1 |
| 32 | 163.130021.00 | Pipe , LPG/NG | 1 |
| 33 | 5.1330.019 | Sheath, LPG Hose, PVC, Ø25 x 200 | 1 |
| 34 | 164.080009.01.2 | Air Guide, Muffler Pipe, Bottom | 1 |
| 35 | 1.96.08 | Washer, Ø8 | 1 |
| 36 | 1.93.08 | Lock Washer, Ø8 | 1 |
| 37 | 1.16674.0825 | Flange Bolt, M8 x 25 | 1 |
| 38 | 1.7244.10 | Lock Washer, Ø10 | 2 |
| 39 | 1.6187.1.10 | Nut, M10 | 4 |
| 40 | 161.101002.00 | Gasket, Muffler | 1 |

CONTROL PANEL PARTS DIAGRAM



CONTROL PANEL PARTS LIST

| # | Part Number | Description | Qty. |
|----|------------------|--|------|
| 1 | 5.1600.010 | Connector, Ten Holes, Male | 1 |
| 2 | 5.1610.010 | Connector, Ten Holes, Female | 1 |
| 3 | 5.1810.007 | Over Voltage Protector | 1 |
| 4 | 1.818.0514 | Screw, M5 x 14 | 3 |
| 5 | 161.210011.03 | Terminal Block, 75A | 1 |
| 6 | 2.02.032 | Cage Nut, M8 | 7 |
| 7 | 163.200004.60.24 | Cover, Electric Cabinet, Silk Grey, Flame Retardant and textured | 1 |
| 8 | 5.1000.006.3 | Switch, UL, Red | 1 |
| 9 | 5.1420.002 | Hour Meter | 1 |
| 10 | 5.1241.965 | 65Amp Circuit Breaker, Double Pole, UL | 1 |
| 11 | 5.1850.004.Y | ATS Controller, ATS100 | 1 |
| 12 | 5.1850.003.Y | Generator Controller, 100666Y | 1 |
| 13 | 1.5789.0550 | Flange Bolt, M5 x 50 | 4 |
| 14 | 2.13.028 | Bushing, Ø5.5 x Ø14 x 25 | 4 |
| 15 | 5.1850.005 | Relay Module, Engine | 1 |
| 16 | 2.08.068 | Flange Bolt, M5 x 13 | 4 |
| 17 | 161.200020.00 | Grille | 1 |
| 18 | 2.02.030 | Cage Nut M5 | 8 |
| 19 | 163.200005.60.24 | Firewall, Right, Silk Grey, Flame Retardant and textured | 1 |
| 20 | 163.200109.60 | Rubber Strip, 1000 mm, Flame Retardant | 1 |
| 21 | 164.200021.01.6 | Foams, Right Firewall, Flame Retardant | 1 |
| 22 | 1.16674.0812 | Flange Bolt, M8 x 12 | 3 |
| 23 | 163.210003.00 | Grommet, Wire | 1 |
| 24 | 2.02.031 | Cage Nut, M6 | 2 |
| 25 | 161.190200.04 | AVR, TT916U-402 | 1 |
| 26 | 2.13.029 | Bushing, Ø7 x Ø14 x 50 | 2 |

| # | Part Number | Description | Qty. | |
|----|--------------------|---|-------------------------------|---|
| 27 | 1.5789.0675 | Flange Bolt, M6 x 75 | 2 | |
| 28 | 5.1820.003 | Charger, Battery, 24V | 1 | |
| 29 | 1.9074.4.0414.2 | Screw, M4 x 14 | 3 | |
| 30 | 163.200004.61.24 | Cover, Charger, Silk Grey, Flame Retardant and textured | 1 | |
| 31 | 1.9074.4.0306 | Screw, M3 x 6 | 4 | |
| 32 | 164.200018.00.24 | Supportor, Switch, Silk Grey | 1 | |
| 33 | 1.823.0412 | Screw, M4 x 12 | 2 | |
| 34 | 161.210017.00 | Supportor, Ten Holes, Connector | 1 | |
| 35 | 5.1000.008.1 | Switch, Black | 1 | |
| 36 | 5.1320.017 | Plastic Conduit, CSA, 50mm | 1 | |
| 37 | 100237.21.10.V1.0 | Wire Assembly | 1 | |
| | 37-1 | 5.1910.005 | Battery Cable Positive, Red | 1 |
| | 37-2 | 5.1910.006 | Battery Cable Negative, Black | 1 |
| | 37-3 | 5.1900.074 | Battery Transfer Cable, Black | 1 |
| 38 | 164.230004.00.V1.0 | Decal, Nameplate, 100237 | 1 | |
| 39 | 163.230003.00.V1.0 | Decal, Control Panel, 100136 | 1 | |
| 40 | 100237.230005.00 | Decal, ATS Selector | 1 | |
| 41 | 5.1050.009 | Switch, UL, Black | 1 | |
| 42 | 100237.21.20 | Wire Assembly, Shutdown Switch | 1 | |

WIRING DIAGRAM

