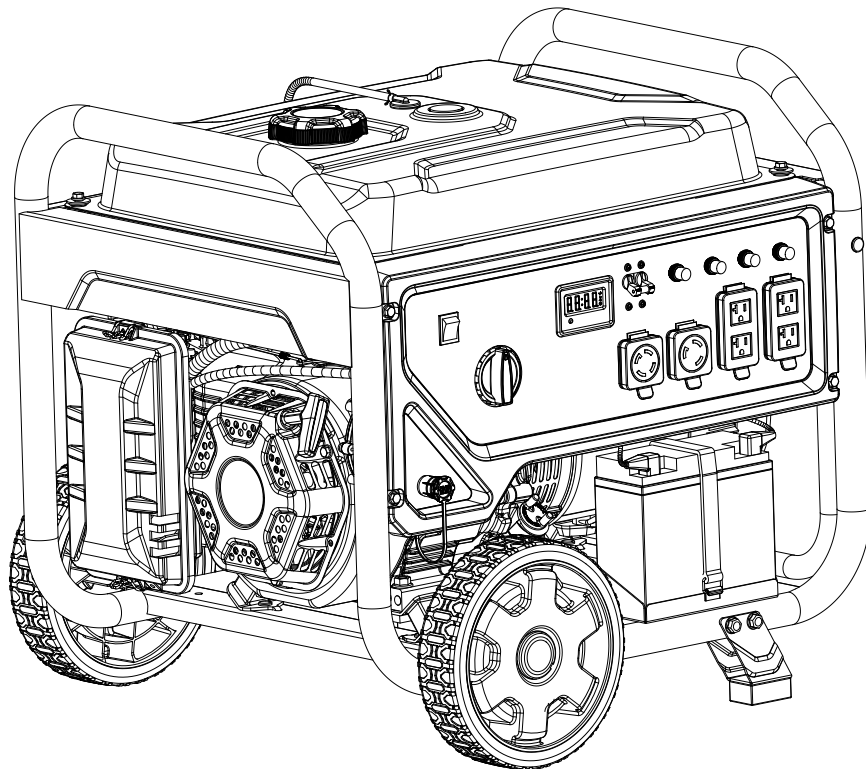




Champion Power Equipment, Inc., Santa Fe Springs, CA USA

MODEL #201121



PARTS INFORMATION

8000W TRI-FUEL PORTABLE GENERATOR

SERIAL NUMBER RANGE: ALL



To order replacement parts please visit:
shop.championpowerequipment.com
or call **1-877-338-0999**.

TABLE OF CONTENTS

Generator Diagram	3
Generator Parts List	4
Engine Diagram	5
Engine Parts List	6
Cylinder Head Diagram	8
Cylinder Head Parts List	9
Alternator Diagram	10
Alternator Parts List	11
Fuel Tank Diagram	12
Fuel Tank Parts List	13
Control Panel Diagram	14
Control Panel Parts List	15
Frame Assembly Diagram	16
Frame Assembly Parts List	17
Wiring Diagram	18

GENERATOR DIAGRAM

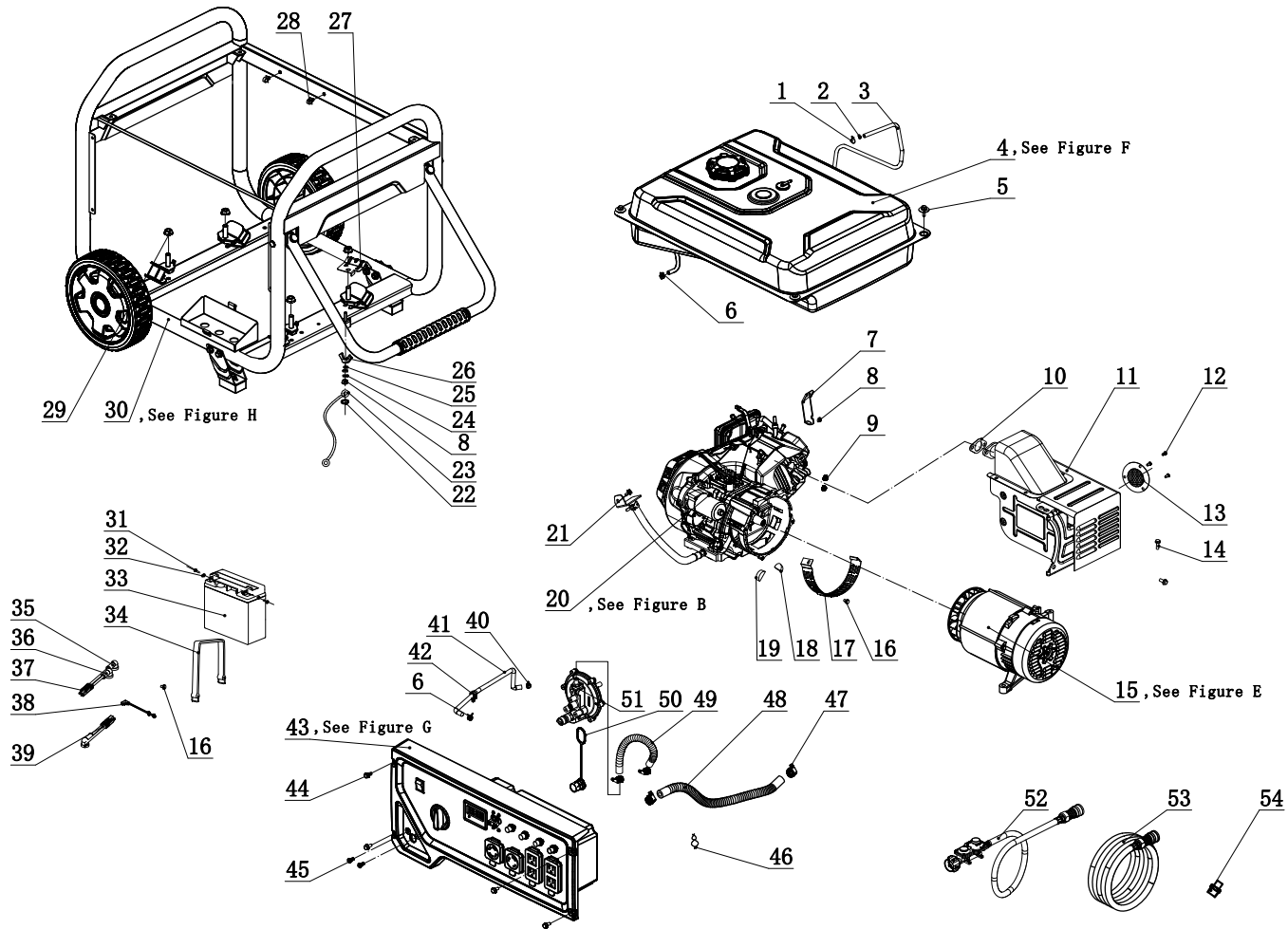


Figure A

GENERATOR PARTS LIST

#	Part Number	Description	Qty.
1	2.06.006	Clamp,Ø7×Ø1	1
2	24.070030.00	Orifice, Reversal Valve Tube	1
3	152.070014.08	Tube,Reversal Valve, 710mm	1
4	152.070000.60.48	Fuel Tank,32L,Yellow, See Figure F	1
5	2.08.143.1	Flange Bolt/Washer Assembly M6×20, Black	4
6	2.06.007	Clamp Ø8.2×b8	2
7	45.090006.20	Bracket, Air Cleaner Support	1
8	1.6177.1.06	Lock Nut M6,Flange	2
9	1.6177.1.08	Lock Nut M8,Flange	2
10	46.100001.07	Gasket,Exhaust	1
11	46.101000.01.2	Muffler Assembly	1
12	1.9074.4.0510	Screw/Washer Assembly M5×10	3
13	46.101300.00	Spark Arrester	1
14	1.16674.0820	Flange Bolt M8×20	2
15	153.190000.33	Alternator, See Figure E	1
16	1.5789.0608	Flange Bolt M6×8	2
17	152.192300.01	Vent, Alternator Inlet	1
18	152.190005.02	Rubber, Fore-Cover, A	1
19	152.190005.03	Rubber, Fore-Cover, B	1
20	48.695	Engine,459cc,See Figure B	1
21	1.5789.0612	Flange Bolt M6×12	1
22	1.862.06	Lock Washer Ø6,Toothed	1
23	5.1900.155	Grounding Line 150 mm	1
24	1.97.1.06.2	Washer Ø6	2
25	1.93.06	Lock Washer Ø6	1
26	1.62.06	Butterfly Type Nut M6	1
27	152.100007.00	Heat Shield, Motor Mount	1
28	2.05.001	Clamp,Ø8×6.5	2
29	1.6177.1.10	Lock Nut M10,Flange	4
30	65300.201121	Frame Assembly, See Figure H	1

#	Part Number	Description	Qty.
31	1.9074.3.0510	Screw/Washer Assembly M5×10	2
32	1.6177.1.05	Lock Nut M5, Flange	2
33	9.1000.150	Battery 12V15AH	1
34	152.200904.00	Strap, Battery	1
35	152.200013.02	Cover,Wire,Black	1
36	152.200013.02.3	Cover,Wire,Red	2
37	5.1900.126	Wire Harness, SAE Battery	1
38	152.200013.03	Sleeve,Connector	1
39	5.1900.125	Wire Harness, SAE Engine	1
40	2.06.016	Clamp Ø8.8×b8	1
41	152.070011.31	Tube, Fuel Valve to Carburetor,410+25mm	1
42	2.05.009	Clamp Ø12.5×7	1
43	201121.21	Control Panel Assembly,See Figure G	1
44	1.5789.0615.1	Flange Bolt M6×15, Black	4
45	1.818.0614.1	Bolt M6 x 14, Black	2
46	2.06.050	Clamp,Ø8×Ø18	1
47	2.06.023	Clip Ø20	4
48	152.070012.22	Hose 420mm	1
49	152.070012.20	Hose 230mm	1
50	9.1500.006	Sleeve, Connector	1
51	47.136000.06	Pressure-Reducing Valve	1
52	152.070012.19	LPG Hose With Regulator 6.5 ft	1
53	152.070012.23	NG Hose 1/2 in x 25 ft	1
54	152.250501.00	Fitting, NG Hose Adapter	1

ENGINE DIAGRAM

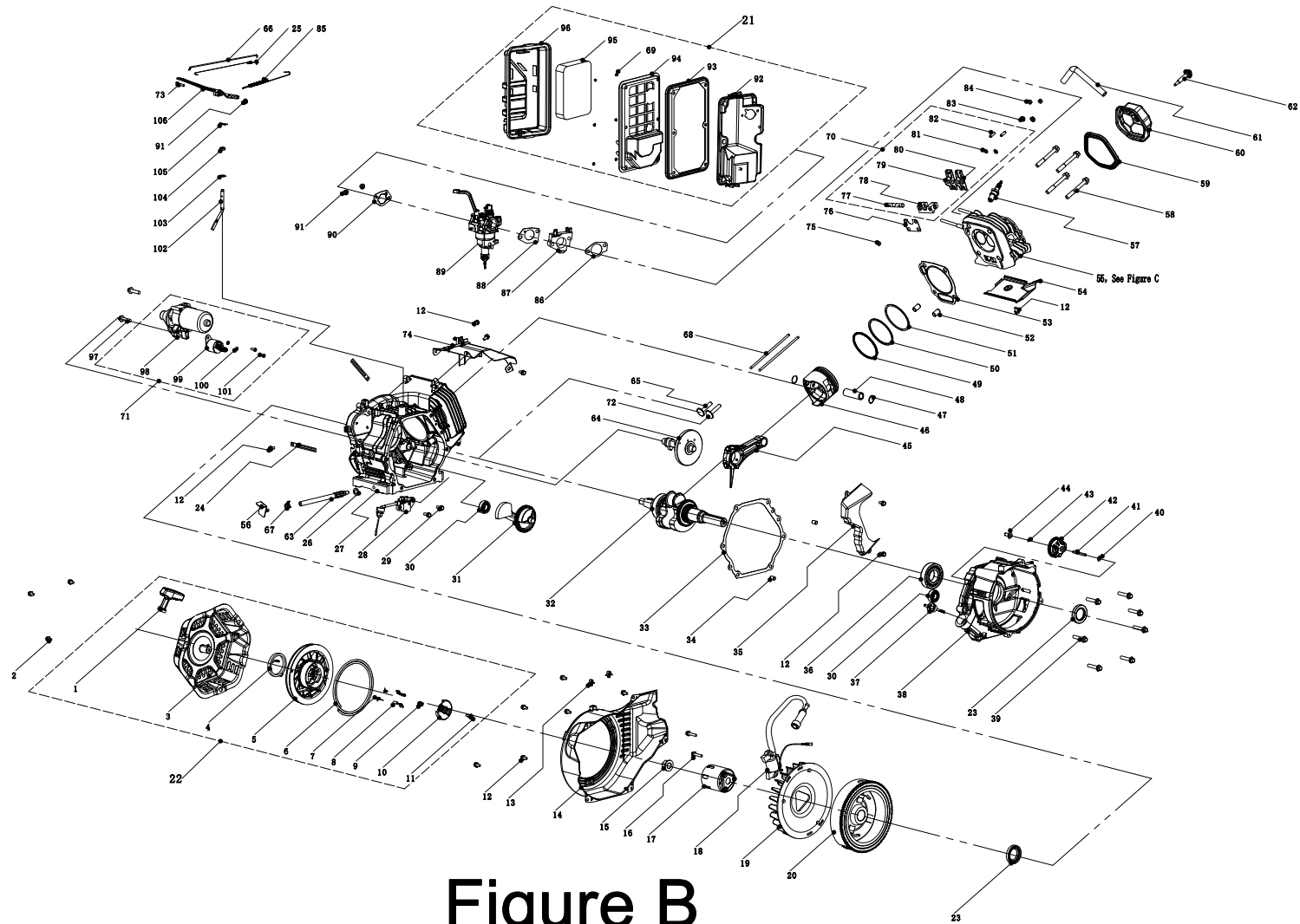


Figure B

ENGINE PARTS LIST

#	Part Number	Description	Qty.
1	21.061300.01.48	Handle, Recoil, Soft Yellow	1
2	1.16674.0608	Flange Bolt M6 x 8	3
3	46.061100.03.2	Cover, Recoil Starter, Black	1
4	45.060005.00	Spring, Recoil Starter	1
5	45.061102.00	Reel, Recoil Starter	1
6	2.10.003.1	Rope Ø4 x 1550, Black	1
7	45.060003.00	Spring, Ratchet	2
8	45.060002.00	Starter Ratchet, Steel	2
9	45.060009.00	Spring, Ratchet Guide	1
10	45.060007.00	Ratchet Guide	1
11	45.060008.00	Screw, Ratchet Guide	1
12	1.5789.0612	Flange Bolt M6 x 12	12
13	2.05.009	Clamp Ø12.5 x 7	2
14	47.080100.01.48	Fan Cover, Yellow	1
15	2.02.007	Nut M16 x 1.5	1
16	1.5789.0629	Flange Bolt M6 x 29	2
17	45.060001.00	Pulley, Starter	1
18	46.123000.07	Ignition Coil	1
19	48.080001.00	Cooling Fan	1
20	46.120100.05	Flywheel	1
21	46.091000.09	Air Cleaner Assembly	1
22	46.061000.03	Recoil Assembly	1
23	2.11.007	Oil Seal Ø35 x Ø52 x 8	2
24	2.05.050	Wire Clip 100 mm	2
25	45.110005.00	Spring, Throttle Return	1
26	2.03.023	Washer Ø12.5 x Ø20 x 2 , Drain Bolt	1
27	48.030100.00	Crankcase	1
28	45.127000.02	Oil Level Sensor	1
29	1.5789.0615	Flange Bolt M6 x 15	2
30	1.276.6202	Bearing 6202	2

#	Part Number	Description	Qty.
31	48.050006.00	Weight Balancer	1
32	47.050100.01	Crankshaft Assembly	1
33	46.030008.00	Gasket, Crankcase Cover	1
34	2.04.001	Dowel Pin Ø9 x 14	2
35	46.080600.00	Air Guide, Right Side	1
36	1.276.6207	Bearing 6207	1
37	46.031000.01.48	Oil Dipstick Assembly, Yellow	1
38	45.030007.00	Cover, Crankcase	1
39	1.5789.0840	Flange Bolt M8 x 40	7
40	2.03.021.1	Washer Ø6.4 x Ø13 x 1, Black	1
41	45.110013.00	Shaft, Governor Gear	1
42	45.110100.00	Gear, Governor	1
43	21.110011.00	Clip, Governor Gear	1
44	45.110012.00	Bushing, Governor Gear, Steel	1
45	47.050200.00	Connecting Rod Assembly	1
46	48.050005.00	Piston	1
47	2.09.004	Circlip Ø21 x Ø1	2
48	45.050003.00	Pin, Piston	1
49	48.050303.00	Ring, Oil	1
50	48.050302.00	Ring, Second Piston	1
51	48.050301.00	Ring, First Piston	1
52	2.04.004	Dowel Pin Ø12 x 20	2
53	48.030009.00	Gasket, Cylinder Head	1
54	46.080400.00	Air Guide, Lower	1
55	47.010000.01	Cylinder Head Assembly, See Figure C	1
56	45.030200.00	Support	1
57	2.15.008	Spark Plug F7RTC	1
58	2.08.122	Flange Bolt M10 x 95	4
59	46.020002.00	Gasket, Cylinder Head Cover	1
60	47.021000.00	Cover, Cylinder Head	1

#	Part Number	Description	Qty.
61	45.020001.02	Breather Tube	1
62	47.020100.00	Bolt, Cylinder Head Cover	1
63	45.032000.00	Hose, Oil Drain	1
64	48.041000.00	Camshaft	1
65	48.040013.00	Lifter, Intake Valve	1
66	45.110006.00	Rod, Governor	1
67	2.06.013	Clamp Ø13.5 x b10	1
68	46.040005.00	Push Rod	2
69	1.6177.1	Flange Nut M5	6
70	46.040200.00	Rocker Arm Assembly	1
71	45.125000.03	Starter Motor Assembly	1
72	45.040013.00	Lifter, Exhaust Valve	1
73	2.08.040	Bolt M6 x 21, Governor Arm	1
74	46.080300.20	Air Guide, Upper	1
75	45.040008.00	Rotator, Exhaust Valve	1
76	46.040004.00	Guide Plate, Push Rod	1
77	46.040016.00	Shaft, Rocker Arm	1
78	46.040201.00	Retainer, Rocker Arm	1
79	46.040009.00	Rocker Arm, Intake Valve	1
80	46.040018.00	Rocker Arm, Exhaust Valve	1
81	1.97.1.06	Washer Ø6	2
82	22.040012.00	Screw, Valve Adjustment	2
83	1.6177.1.06	Flange Nut M6	2
84	21.040021.00	Nut M6 x 0.5, Lock	2
85	45.110007.01	Spring, Governor	1
86	46.130002.20	Gasket, Insulator	1
87	45.130001.00	Insulator, Carburetor	1
88	46.130003.20	Gasket, Carburetor	1
89	48.131000.23	Carburetor	1
90	46.130004.20	Gasket, Air Cleaner	1
91	1.6177.06	Flange Nut M6	3
92	46.091100.09	Base, Air Cleaner	1

#	Part Number	Description	Qty.
93	45.091002.20	Seal, Air Cleaner	1
94	45.091001.20	Separator, Air Cleaner	1
95	45.091003.20	Element, Air Cleaner	1
96	46.091200.09	Cover, Air Cleaner	1
97	1.5789.0835	Flange Bolt M8 x 35	2
98	45.125100.00	Starter Motor	1
99	45.125200.03	Relay, Starter	1
100	1.93.05	Lock Washer Ø5	2
101	1.16674.0516	Flange Bolt M5 x 16	2
102	45.110001.00	Shaft, Governor Arm	1
103	2.03.019	Washer Ø8.2 x Ø17 x 0.8	1
104	2.11.006	Oil Seal Ø7 x Ø14 x 5	1
105	45.110008.00	Pin, Shaft	1
106	45.110003.01	Arm, Governor	1

CYLINDER HEAD DIAGRAM

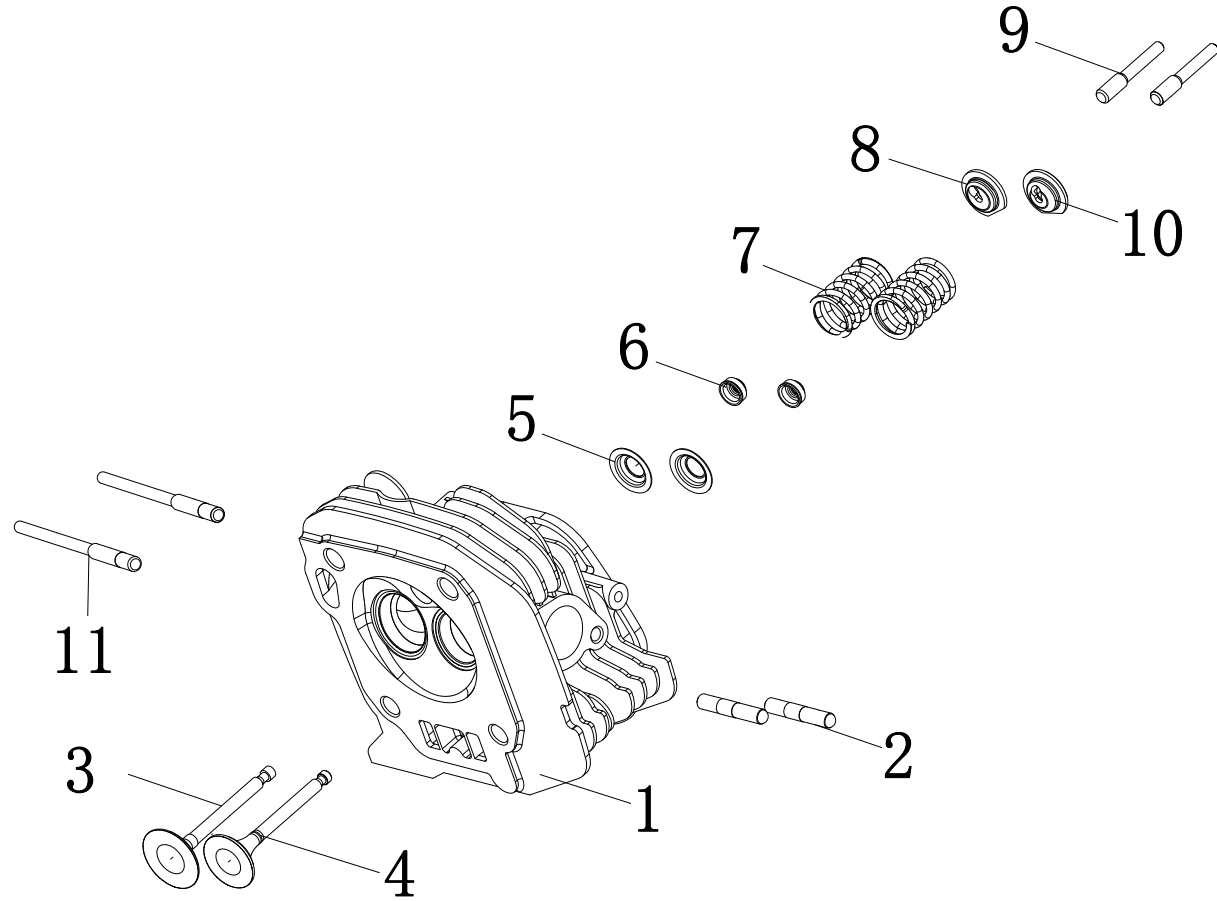


Figure C

CYLINDER HEAD PARTS LIST

#	Part Number	Description	Qty.
1	47.010100.01	Cylinder Head	1
2	2.01.010	Stud Bolt M8 x 35	2
3	47.040002.00	Valve, Intake	1
4	47.040006.00	Valve, Exhaust	1
5	45.040015.00	Retainer, Valve Spring	2
6	45.040017.00	Oil Seal, Valve	2
7	45.040003.00	Spring, Valve	2
8	45.040001.00	Retainer, Intake Valve Spring	1
9	23.040010.00	Bolt, Rocker Arm	2
10	45.040007.00	Retainer, Exhaust Valve Spring	1
11	2.01.008	Stud Bolt M6 x M8 x 105	2

ALTERNATOR DIAGRAM

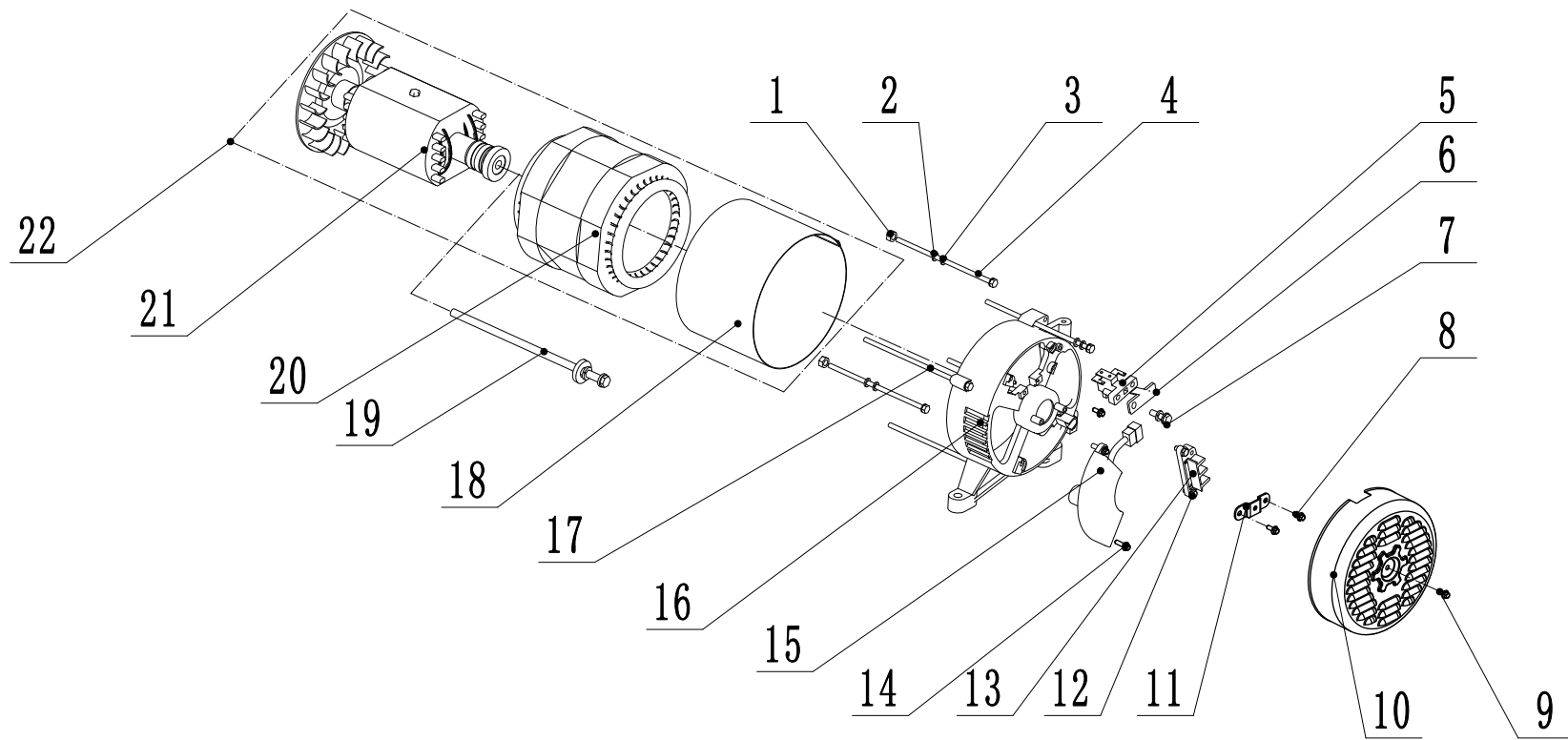


Figure E

ALTERNATOR PARTS LIST

#	Part Number	Description	Qty.
1	1.6175.05	Nut M5	2
2	1.97.1.05	Washer Ø5	2
3	1.93.05	Lock Washer Ø5	2
4	2.08.071	Bolt M5×229	2
5	152.190300.00	Carbon Brush Assembly	1
6	122.190004.01	Retaining Plate, Carbon Brush	1
7	1.9074.15.0520	Bolt/Washer Assembly M5×20	1
8	1.16674.0512	Flange Bolt M5×12	3
9	2.08.185.1	Flange Bolt M5 x 10, Black	1
10	152.190003.02.48	Cover, End Housing, Yellow	1
11	122.190018.03	Bracket, Alternator End Cover	1
12	1.9074.17.0516	Screw/Washer Assembly M5×16	2
13	122.190400.02	Terminal Block	1
14	1.16674.0516	Flange Bolt M5×16	2
15	153.190200.03	AVR	1
16	152.190002.00	End Housing	1
17	2.08.069	Flange Bolt/Washer Assembly M6×194	4
18	154.191002.00	Stator Cover	1
19	2.08.070	Flange Bolt/Washer Assembly M10×280	1
20	153.191200.33	Stator Assembly, Al, Ø190×158 mm, DC 12V	1
21	153.191100.18	Rotor Assembly, Al, Ø190×158 mm, DC 12V	1
22	153.191000.33	Alternator Assembly, Al, Ø190×158 mm, DC 12V	1

FUEL TANK DIAGRAM

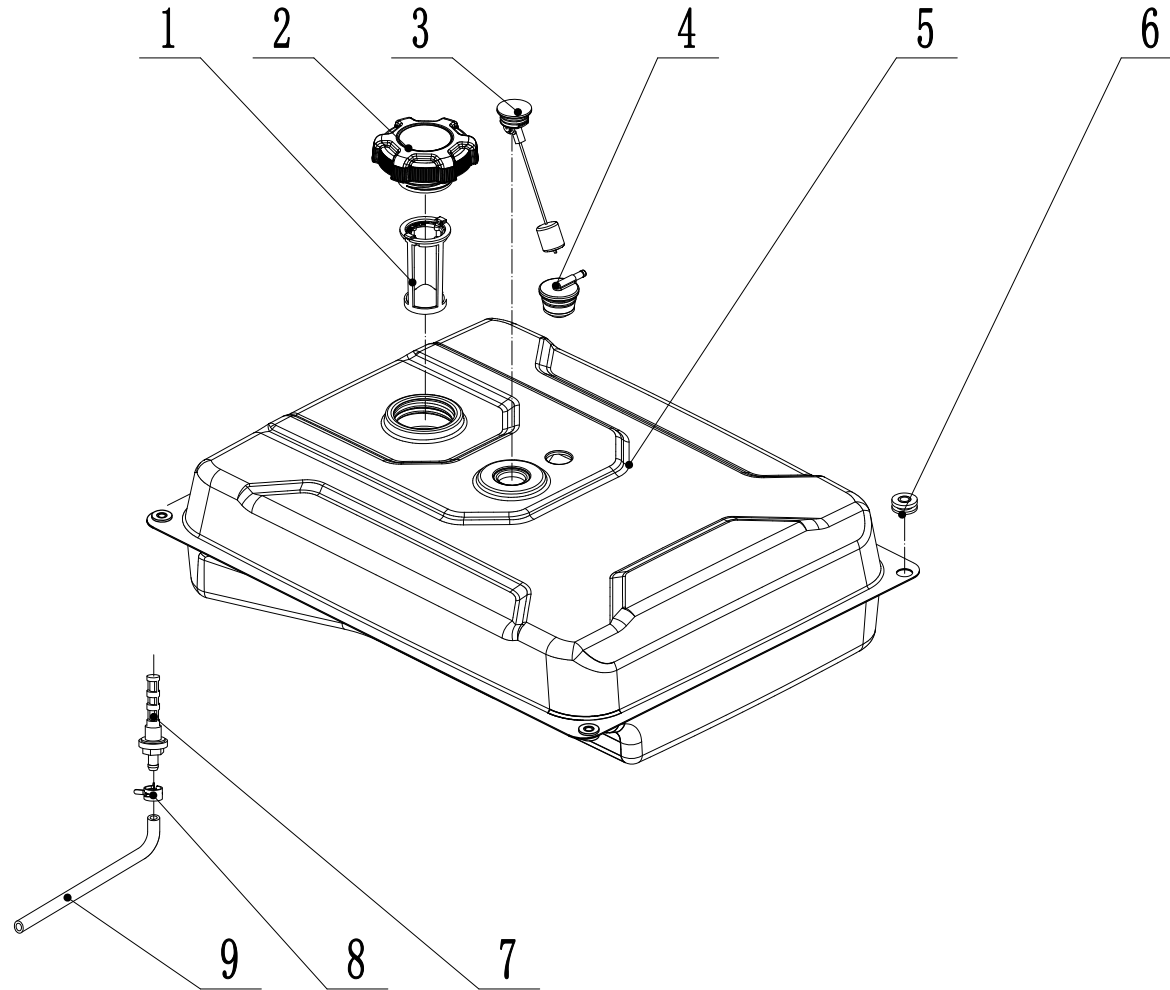


Figure F

FUEL TANK PARTS LIST

#	Part Number	Description	Qty.
1	122.070300.03	Fuel Filter	1
2	122.070100.09	Fuel Tank Cap	1
3	152.072000.06	Fuel Gauge	1
4	24.070800.00	Valve. Reversal	1
5	152.071000.60.48	Fuel Tank, 32L, Yellow	1
6	122.070015.01	Mount Vibration, Fuel Tank	4
7	21.070600.03	Fitting, Fuel Filter	1
8	2.06.016	Clamp Ø8.8×b8	1
9	122.070011.21	Fuel Tube 245+25 mm, Fuel Tank to Fuel Valve	1

CONTROL PANEL DIAGRAM

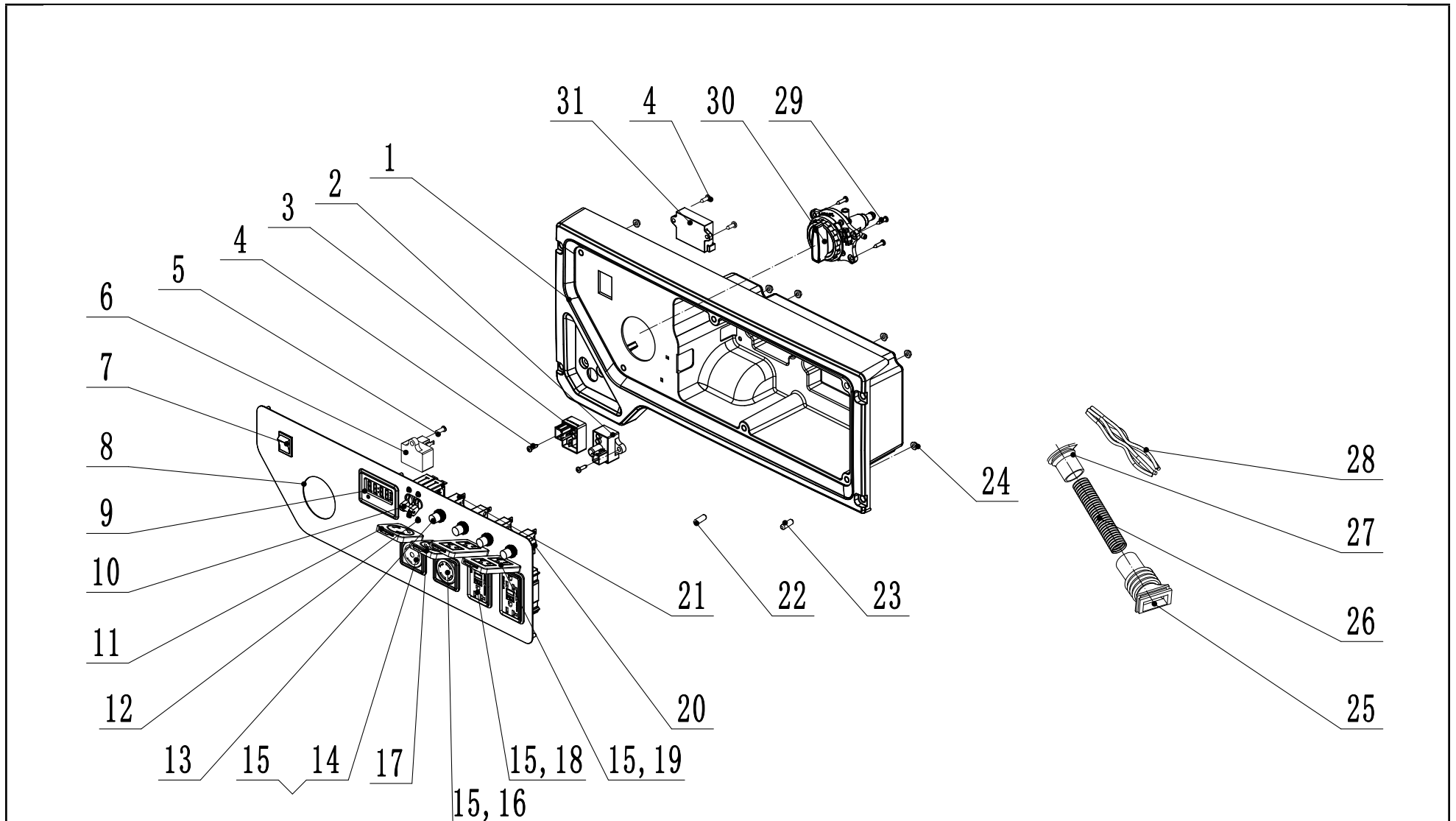


Figure G

CONTROL PANEL PARTS LIST

#	Part Number	Description	Qty.
1	152.210002.67	Control Box,CSA	1
2	5.1800.006	Rectifier	1
3	5.1820.009	Charger	1
4	1.845.4216	Screw, ST4.2×16	4
5	1.818.0514.2	Screw M5×14	1
6	5.1810.004	VFO Diode,CSA	1
7	5.1000.005.3	Ignition Switch, Red	1
8	152.289.5.2	Control Panel	1
9	5.1470.000	Intelligauge, INT1AOF	1
10	5.1240.933	33Amp Circuit Breaker,Double Pole,CSA	1
11	5.1870.023	Receptacle Cover,L5-30R	1
12	1.9074.4.0306.1	Screw/Washer Assembly M3×6, Black	4
13	5.1870.014	Circuit Breaker Cover, Push Button	4
14	5.1120.023	Receptacle L5-30R,CSA	1
15	1.6177.1.04.1	Lock Nut M4, Flange, Black	8
16	5.1870.020	Receptacle L14-30R	1
17	5.1120.026	Receptacle Cover, Receptacle L14-30R,CSA	1
18	5.1120.050	Receptacle 5-20R, Duplex GFCI	2
19	5.1870.022	Receptacle Cover, Receptacle 5-20R, Duplex GFCI	2
20	5.1210.920	20Amp Circuit Breaker, Push Button, CSA	2
21	5.1210.930	30Amp Circuit Breaker, Push Button, CSA	2
22	5.1280.003	Fuse,10A	1

#	Part Number	Description	Qty.
23	5.1280.008	Fuse,5A	1
24	1.6177.1.05	Lock Nut M5, Flange, Black	6
25	152.210003.03	Gromet, Alternator End Housing	1
26	5.1320.024	Sheath, Wire	1
27	152.210003.01	Gromet, Control Box	1
28	201121.21.10	Wire Harness	1
29	1.845.4816	Screw, ST4.8×16	4
30	152.139000.03	Fuel Select Dial Assembly	1
31	5.1830.022	CO Module	1

FRAME ASSEMBLY DIAGRAM

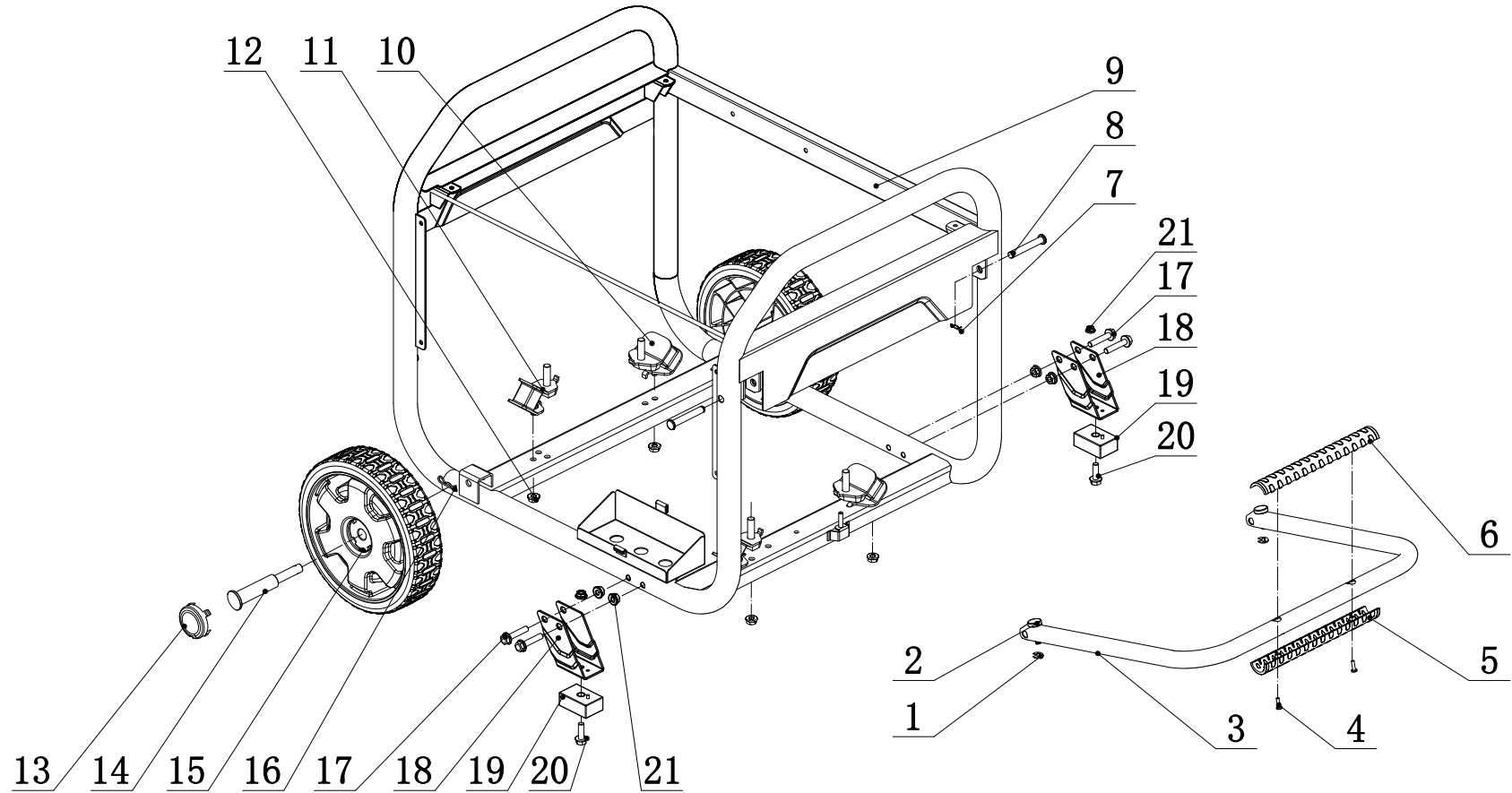
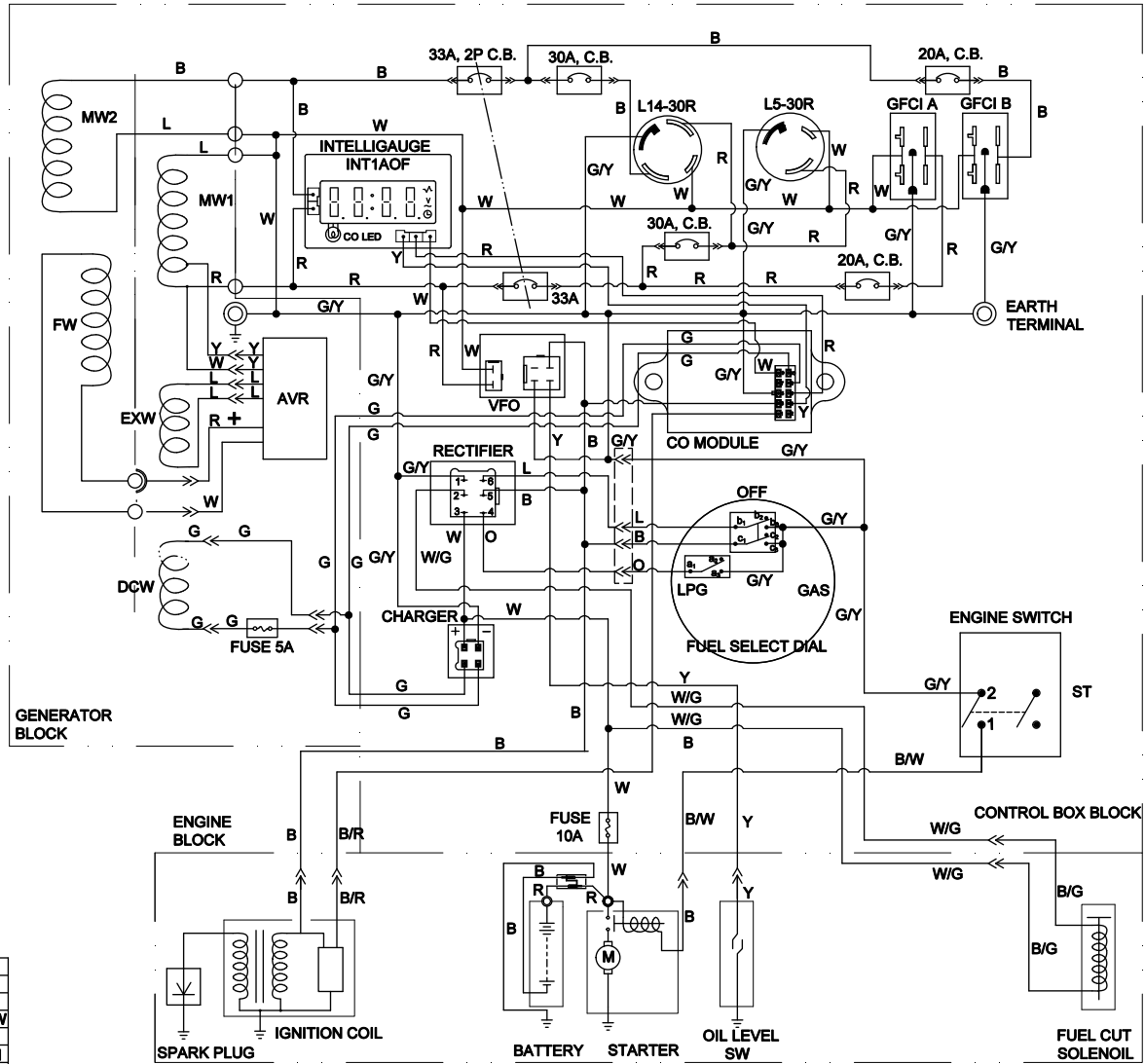


Figure H

FRAME ASSEMBLY PARTS LIST

#	Part Number	Description	Qty.
1	1.894.1.08	Circlip Ø8	2
2	152.200703.02	Short Pin, Handle	2
3	152.200701.22	Handle, U Shape	1
4	1.818.0414.1	Screw M4×14, Black	2
5	122.200702.13	Handle Cover, Upper	1
6	122.200702.14	Handle Cover, Lower	1
7	11.110008.00	"R" Shape	2
8	152.200703.02	Short Pin, Handle	2
9	65300.0.10.2	Frame, 700×576×585mm	1
10	152.201200.04	Motor Mount 2	2
11	152.201200.03	Motor Mount 1	2
12	1.6177.1.08	Lock Nut M8, Flange	4
13	122.201702.11.48	Wheel Cover, Tooth Profile 8-10 in, Yellow	2
14	122.201501.23.1	Pin Roll, Wheel, Ø16×Ø10×97, Black	2
15	152.201701.13.48	9.5 in. Wheel, PU, Yellow	2
16	2.16.001.1	Pin Ø2×33, "R" Shape, Black	2
17	1.5789.0850.1	Flange Bolt M8×50, Black	4
18	152.200002.18.2	Support Leg, 78 mm, Black	2
19	122.201400.04	Rubber, Support	2
20	1.5789.0825.1	Flange Bolt M8×25, Black	2
21	1.6177.1.08.1	Lock Nut M8, Flange, Black	6

WIRING DIAGRAM



FUEL SELECT DIAL

	a ₁	a ₂	a ₃	b ₁	b ₂	b ₃	c ₁	c ₂
GAS	○	○	○	○	○	○	○	○
OFF	○	○	○	○	○	○	○	○
LPG	○	○	○	○	○	○	○	○

ENGINE SWITCH

	1	2
ST	○	○

Color Legend

B	BLACK	Br	BROWN
Y	YELLOW	B/W	BLACK WHITE
L	BLUE	W/G	WHITE GREEN
G	GREEN	G/Y	GREEN YELLOW
R	RED	W/L	WHITE BLUE
W	WHITE	B/G	BLACK GREEN
O	ORANGE		