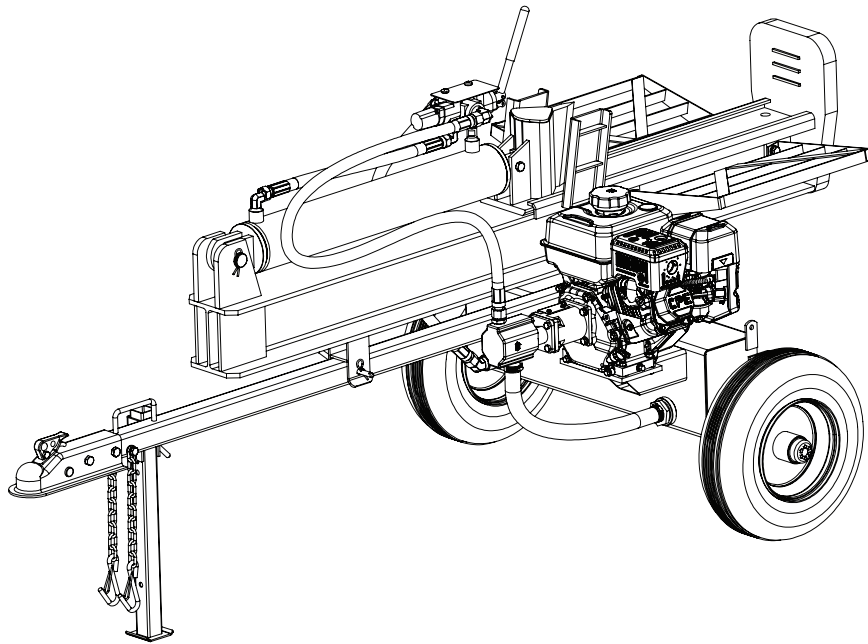




Champion Power Equipment, Inc., Santa Fe Springs, CA USA

**MODEL #100251**



## **PARTS INFORMATION**

**25 TON FULL BEAM LOG SPLITTER**

**SERIAL NUMBER RANGE: ALL**

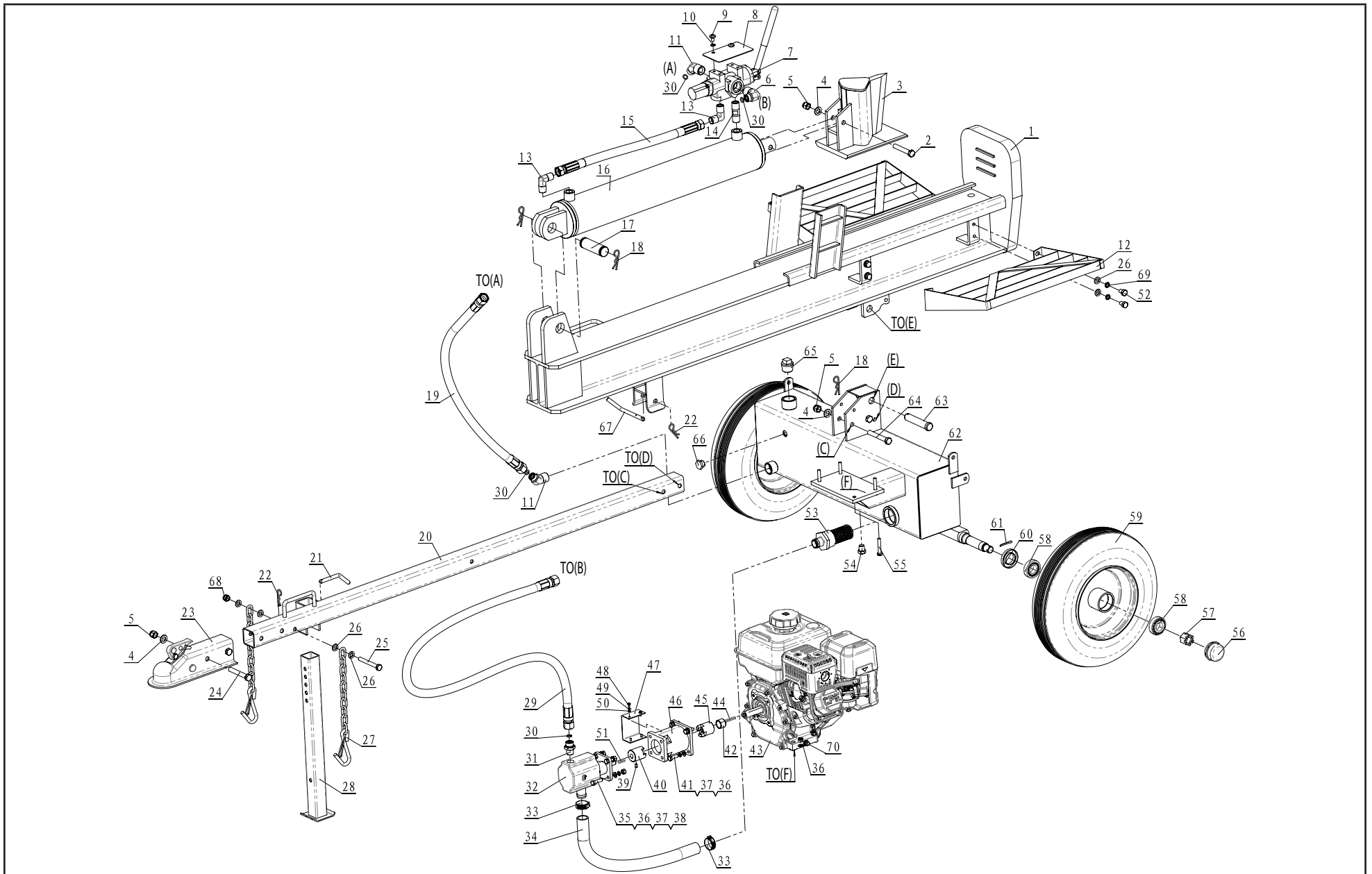


To order replacement parts please visit:  
**[shop.championpowerequipment.com](http://shop.championpowerequipment.com)**  
or call **1-877-338-0999**.

## **TABLE OF CONTENTS**

<b>Log Splitter Diagram .....</b>	<b>3</b>
<b>Log Splitter Parts List .....</b>	<b>4</b>
<b>Engine Diagram 27.103 .....</b>	<b>6</b>
<b>Engine Parts List 27.103 .....</b>	<b>7</b>
<b>Engine Diagram R224P .....</b>	<b>10</b>
<b>Engine Parts List R224P .....</b>	<b>11</b>

# LOG SPLITTER PARTS DIAGRAM



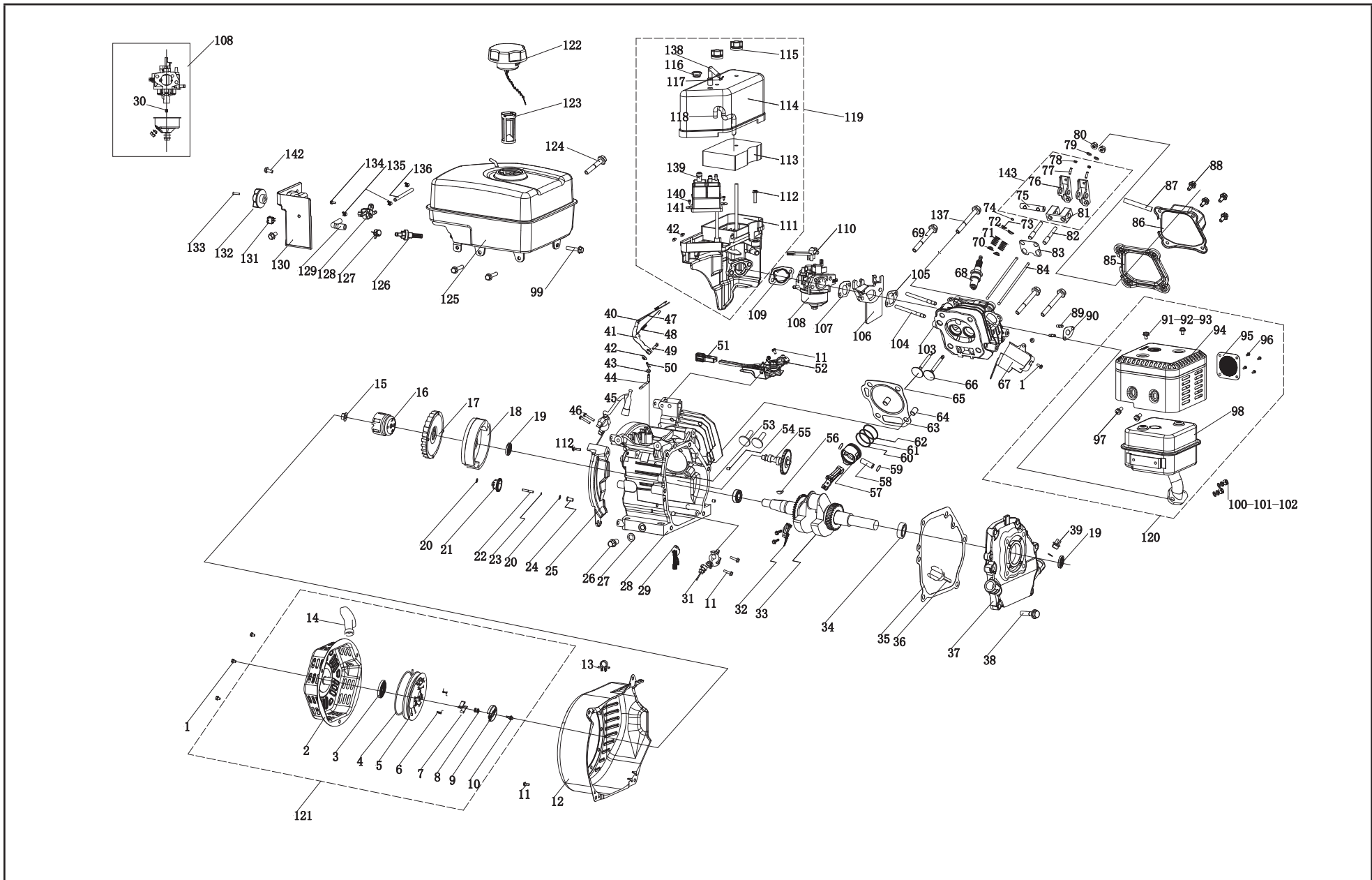
## LOG SPLITTER PARTS LIST

#	Part Number	Description	Qty
1	PMJ22M-02-00	Beam	1
2	G5782-2000-M12-75	BOLT M12 × 75(12.9)	1
3	PMJ22J-04-00	Wedge Slide	1
4	G95-2000-12	Washer Ø12	5
5	G889.1-2000-M12	Lock Nut M12	5
6	PMJ20J-16	Control Valve "IN" Connector	1
7	PMJ22J-12A	Control Valve	1
8	PMJ22J-19	Plate	1
9	G818-2000-M8-12	Bolt M8 × 12	2
10	G859-1987-8	Washer Ø8	2
11	PMJ20J-17	Control Valve "OUT" Connector	2
12	PMJ30F-01-Y	Log Catcher(Yellow)	2
13	PMJ7-15	Right Angle Joiner II	2
14	PMJ7-22	Through Joiner II	1
15	PMJ22M-21	Hydraulic Hose (Valve-Cylinder)	1
16	PMJ22M-08-00-Y	Cylinder(Yellow)	1
17	PMJ22M-13	Wedge Pin	1
18	GJY12-3	R Pin	3
19	PMJ20J-15	Hydraulic Hose (Valve-Oil Tank)	1
20	PMJ25-03	Base Tube	1
21	PMJ22J-10	Pin	1
22	PMJ22G-30	R Pin	2
23	PMJ22G-40	2-in. Coupler	1
24	G5782-2000-M12-80	Bolt M12 × 80	2
25	G5782-2000-M10-85	Bolt M10 × 85	1
26	G95-2000-10	Washer Ø10	12
27	PMJ25M-18-00	Safety Chain With Hook	2
28	PMJ22J-07-00	Front Support Leg	1
29	PMJ20J-18	Hydraulic Hose (Valve-Pump)	1
30	G3452.1-92-10-2.65	"O" Ring Ø10 × 2.65	4

#	Part Number	Description	Qty
31	PMJ22G-21	Outlet Connector Of Pump	1
32	PMJ22J-14	Gear Pump	1
33	J8870-1999-d32	Clamp d32	2
34	PMJ22G-17	Oil Pipe	1
35	G5783-2000-M8-30	Bolt M8 × 30	4
36	G95-2000-8	Washer Ø8	16
37	G93-1987-8	Lock Washer Ø8	8
38	G6170-2000-M8	Nut M8	4
39	G77-2000-M6-10	Screw M6 × 10	1
40	PMJ22G-26	Gear Pump Connector	1
41	ASME-B18.2.1-1996-516-24-1	Bolt 5/16 in. - 24×1 in.	4
42	PMJ22G-29	Engine Bushing	1
43	27.103 S/N: ≤20024084 R224P-B00DY S/N: >20044001 S/N: ≤21034084 1TC7QG027 S/N: F2205028059+	Engine(Yellow/Black)	1
44	G1096-1979-5-36 S/N: <20024084 90521-U060110-00A0 S/N: >20044001	Flat Key 5×36 Flat Key 4.78×35	1
45	PMJ22G-28	Engine Connector	1
46	PMJ22G-27	Gear Pump Stand	1
47	PMJ22G-32	Connector Cover	1
48	G818-2000-M4-10	Cross Head Screw M4×10	4
49	G848-1985-4	Lock Washer Ø4	4
50	G859-1987-4	Washer Ø4	4
51	G1096-1979-3.18-25.4	Flat Key 3.18×25.4	1

#	Part Number	Description	Qty
52	G5781-2000-M10-15	Bolt M10 × 15	8
53	PMJ22Q-20A	Internal Oil Filter	1
54	PMJ22G-19	Oil Plug	1
55	G5782-2000-M8-45	Bolt M8 × 45	4
56	PMJ22J-05-02	Axle Cap	2
57	G9459-1988-M20-1.5	Slotted Nut M20 × 1.5	2
58	L44634 LYC DS	Tapered Bearing	4
59	PMJ37N-05-Y	Wheel(Yellow)	2
60	PMJ22J-05-01	Cased Seal	2
61	G91-2000-4-32	Cotter Pin Ø4 × 32	2
62	PMJ22M-01-00	Oil Tank	1
63	PMJ22G-12	Hinge Pin	1
64	G5782-2000-M12-85	Bolt M12 × 85	2
65	PMJ22G-18	Screw NPT 1 in.	1
66	G1160.2-89	Oil Scale	1
67	PMJ22J-15	Pin	1
68	G889.1-2000-M10	Lock Nut M10	1
69	G93-1987-10	Lock Washer Ø10	8
70	G889.1-2000-M8	Lock Nut M8	4

# ENGINE PARTS DIAGRAM 27.103



**ENGINE PARTS LIST 27.103**

#	Part Number	Description	Qty
1	1.5789.0608	Flange Bolt M6 × 8	5
2	22.061100.00.1	Cover, Recoil Starter, Black	1
3	21.061005.00	Spring, Recoil Starter	1
4	2.10.003.1	Rope Ø4 × 1550, Black	1
5	21.061001.01	Reel, Recoil Starter	1
6	45.060003.00	Spring, Ratchet	2
7	45.060002.00	Starter Ratchet, Steel	2
8	45.060009.00	Spring Guide, Ratchet	1
9	45.060007.00	Ratchet Guide	1
10	45.060008.00	Screw, Ratchet Guide	1
11	1.5789.0612	Flange Bolt M6 × 12	8
12	27.080100.05.48	Fan Cover, Yellow	1
13	2.05.002	Clamp Ø9.5 × 5	1
14	21.061300.00	Handle, Recoil, Soft	1
15	2.02.006	Nut M14 × 1.5	1
16	83.060001.01	Pulley, Starter	1
17	27.080001.00	Cooling Fan	1
18	24.120100.06	Flywheel	1
19	2.11.001	Oil Seal Ø25 × Ø41.3 × 6	2
20	2.03.020.1	Washer Ø6.2 × Ø15 × 0.5, Black	2
21	21.110100.00	Gear, Governor	1
22	21.110013.00	Shaft, Governor Gear	1
23	21.110011.00	Clip, Governor Gear	1
24	21.110012.01	Bushing, Governor Gear	1
25	23.080600.00	Air Guide, Right	1
26	2.08.037	Drain Bolt M10 × 1.25 × 25	2
27	2.03.016	Washer Ø10 × Ø16 × 1.5, Drain Bolt	2
28	27.030100.00	Crankcase	1
29	21.120400.01	Diode Assembly	1

#	Part Number	Description	Qty
30	27.131017.04	Standard Main Jet	1
	27.131017.04.01	Altitude Main Jet	
31	21.127000.02	Oil Level Sensor	1
32	27.050200.00	Connecting Rod	1
33	27.050100.01	Crankshaft, Q	1
34	1.276.6205	Bearing 6205	2
35	24.030008.00	Gasket, Crankcase Cover	1
36	22.031000.00.48	Oil Dipstick Assembly, Yellow	1
37	24.030007.00	Cover, Crankcase	1
38	1.5789.0832	Flange Bolt M8 × 32	6
39	22.031000.01.48	Oil Filler Cap, Yellow	1
40	23.110005.01	Spring, Throttle Return	1
41	27.110003.00	Arm, Governor	1
42	1.6177.06	Flange Nut M6	3
43	2.03.021.1	Washer Ø6.4 × Ø13 × 1, Black	1
44	21.110001.00	Shaft, Governor Arm	1
45	22.123000.02	Ignition Coil	1
46	1.5789.0625	Flange Bolt M6 × 25	2
47	23.110006.00	Rod, Governor	1
48	27.110007.01	Spring, Governor	1
49	2.08.040	Bolt M6 × 21, Governor Arm	1
50	21.110008.00	Pin, Shaft	1
51	24.111008.01.48	Grip Sheath, Speed Governor, Yellow	1
52	24.111000.01	Control Assembly	1
53	25.040013.00	Lifter, Valve	2
54	2.04.001	Dowel Pin Ø9 × 14	2
55	27.041000.01	Camshaft	1
56	2.14.012	Woodruff Key 4 × 7.5 × 19	1
57	27.050005.00	Piston	1
58	23.050003.00	Pin, Piston	1

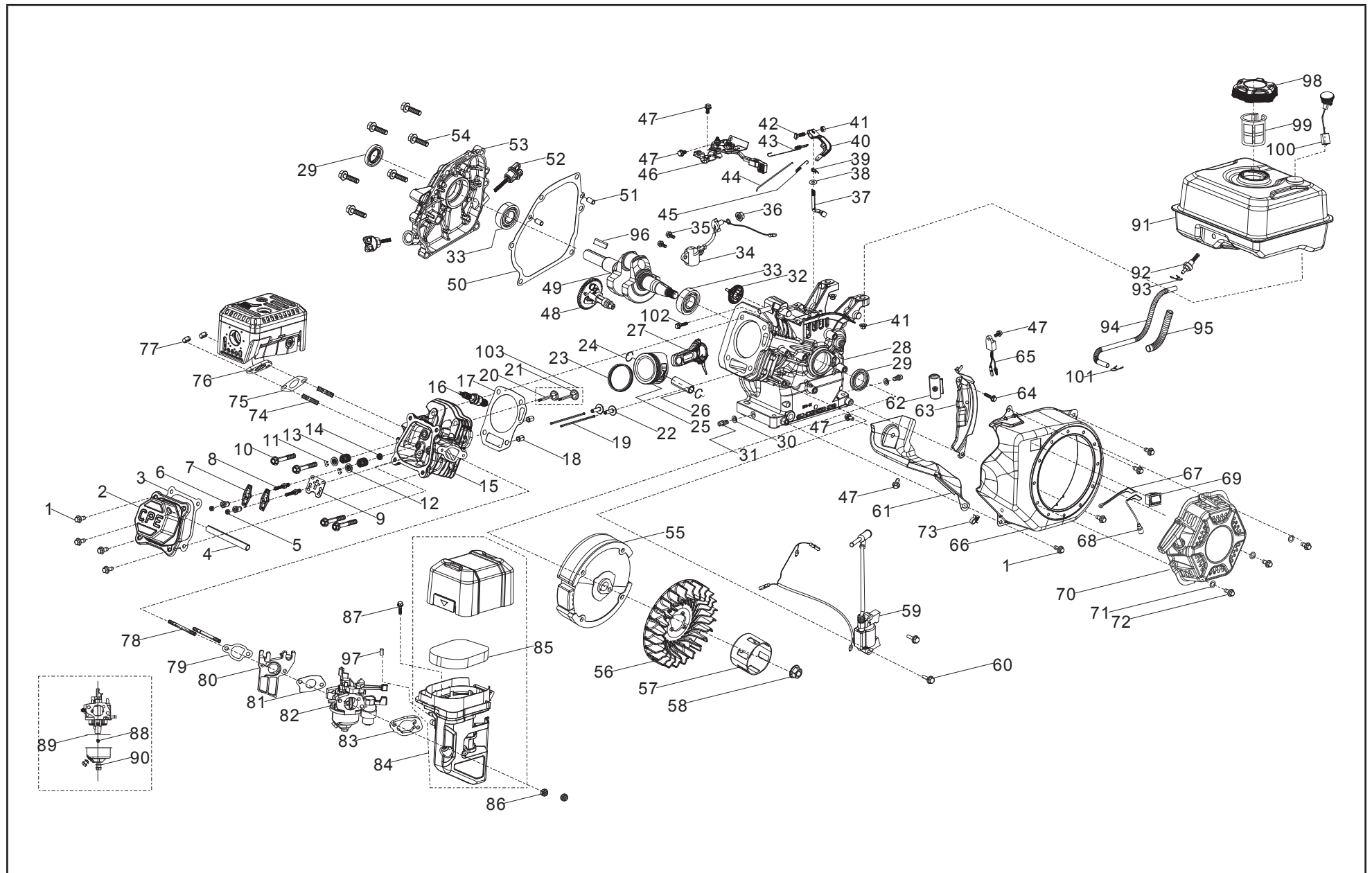
#	Part Number	Description	Qty
59	2.09.001	Circlip Ø18 × Ø1	2
60	27.050303.00	Ring, Oil	1
61	27.050302.00	Ring, Second Piston	1
62	27.050301.00	Ring, First Piston	1
63	27.030009.01	Gasket, Cylinder Head	1
64	2.04.003	Dowel Pin Ø10 × 14	2
65	23.040002.02	Valve, Intake	1
66	23.040006.02	Valve, Exhaust	1
67	26.080400.00	Air Guide, Lower	1
68	2.15.002(F6RTC)	Spark Plug F6RTC	1
69	1.5789.0865	Flange Bolt M8 × 65	3
70	23.040017.00	Oil Seal, Valve	2
71	21.040003.00	Spring, Valve	2
72	21.040007.00	Retainer, Exhaust Valve Spring	1
73	21.040001.00	Retainer, Intake Valve Spring	1
74	21.040008.00	Rotator, Exhaust Valve	1
75	24.040202.00	Shaft, Rocker Arm	1
76	22.040009.00	Rocker Arm	2
77	22.040012.00	Screw, Valve Adjustment	2
78	21.040021.00	Nut M6 × 0.5, Lock	2
79	1.97.1.06	Washer Ø6	2
80	1.6177.1.06	Flange Nut M6	2
81	24.040201.00	Retainer, Rocker Arm	1
82	23.040010.00	Bolt, Rocker Arm	2
83	24.040004.00	Guide Plate, Push Rod	1
84	27.040005.00	Push Rod	2
85	21.020002.01	Gasket, Cylinder Head Cover	1
86	24.021000.00	Cover, Cylinder Head	1
87	21.020001.00	Breather Tube	1
88	1.5789.0615	Flange Bolt M6 × 15	4
89	2.01.010	Stud Bolt M8 × 35	2
90	26.100001.00	Gasket, Exhaust Pipe	1

#	Part Number	Description	Qty
91	1.16674.0510	Flange Bolt M5 × 10	2
92	1.848.05	Washer Ø5	2
93	1.93.05	Lock Washer Ø5	2
94	24.101202.00	Muffler Protector	1
95	46.101300.05	Muffler Screen	1
96	1.818.0406	Screw M4 × 6	4
97	1.9074.4.0510	Screw/Washer Assembly M5 × 10	2
98	24.101100.00	Muffler Assembly	1
99	2.08.154	Flange Bolt Assembly M6 × 20	3
100	1.6175.08	Nut M8	2
101	1.848.08	Washer Ø8	2
102	1.93.08	Lock Washer Ø8	2
103	26.010100.01	Cylinder Head, 224cc	1
104	2.01.009	Stud Bolt M6 × 110	2
105	24.130002.00	Gasket, Insulator	1
106	23.130001.00	Insulator, Carburetor	1
107	22.130003.00	Gasket, Carburetor	1
108	27.131000.04 27.131000.09	Carburetor	1
109	21.130004.00	Gasket, Air Cleaner	1
110	21.130100.00	Choke Handle	1
111	24.091100.01	Base, Air Cleaner	1
112	1.5789.0620	Flange Bolt M6 × 20	2
113	24.091003.02	Element, Air Cleaner	1
114	24.091200.02	Cover, Air Cleaner	1
115	24.091600.01	Screw Cap, Air Clean Cover	2
116	2.12.001	Buffer Ø7.5 × 7.5	1
117	2.06.006	Clamp Ø7 × Ø1	1
118	22.070013.00	Pipe, Air Cleaner	1
119	24.091000.02	Air Cleaner Assembly	1
120	24.101000.00.2	Muffler Assembly	1



#	Part Number	Description	Qty
121	22.061000.00	Recoil Assembly	1
122	24.070100.02	Cap, Fuel Tank	1
123	81.070301.00	Fuel Filter, Fuel Tank	1
124	2.08.156	Flange Bolt Assembly M6 × 33	1
125	24.071000.01.1	Fuel Tank	1
126	21.070600.03	Connector, Zinc Alloy	1
127	2.06.016	Clamp Ø8.7 × b8	1
128	24.070400.00	Fuel Valve	1
129	24.070011.01	Pipe, Ø4.5 × (30 + 30)	1
130	24.070010.00	Veil, Fuel Tank	1
131	5.1010.003.3	Ignition Switch, Red	1
132	24.070001.00	Fuel Knob	1
133	1.818.0412	Bolt M4 × 12	1
134	1.16674.0512.2	Flange Bolt M5 × 12	1
135	2.06.007	Clamp Ø8 × b6	3
136	24.070011.00	Fuel Pipe Ø4.5 × Ø9.5 × 230	1
137	2.08.121	Flange Bolt M10 × 65	1
138	22.070014.00	Pipe, Reversal Valve	1
139	24.070700.00	Carbon Canister	1
140	1.845.2995	Screw ST2.9 × 9.5	2
141	2.03.037	Washer Ø3.2 × Ø14 × 1	2
142	1.5789.0612.3	Flange Bolt M6 × 12	2
143	24.040200.00	Rocker Arm Assembly	1

# ENGINE PARTS DIAGRAM R224P



**ENGINE PARTS LIST R224P**

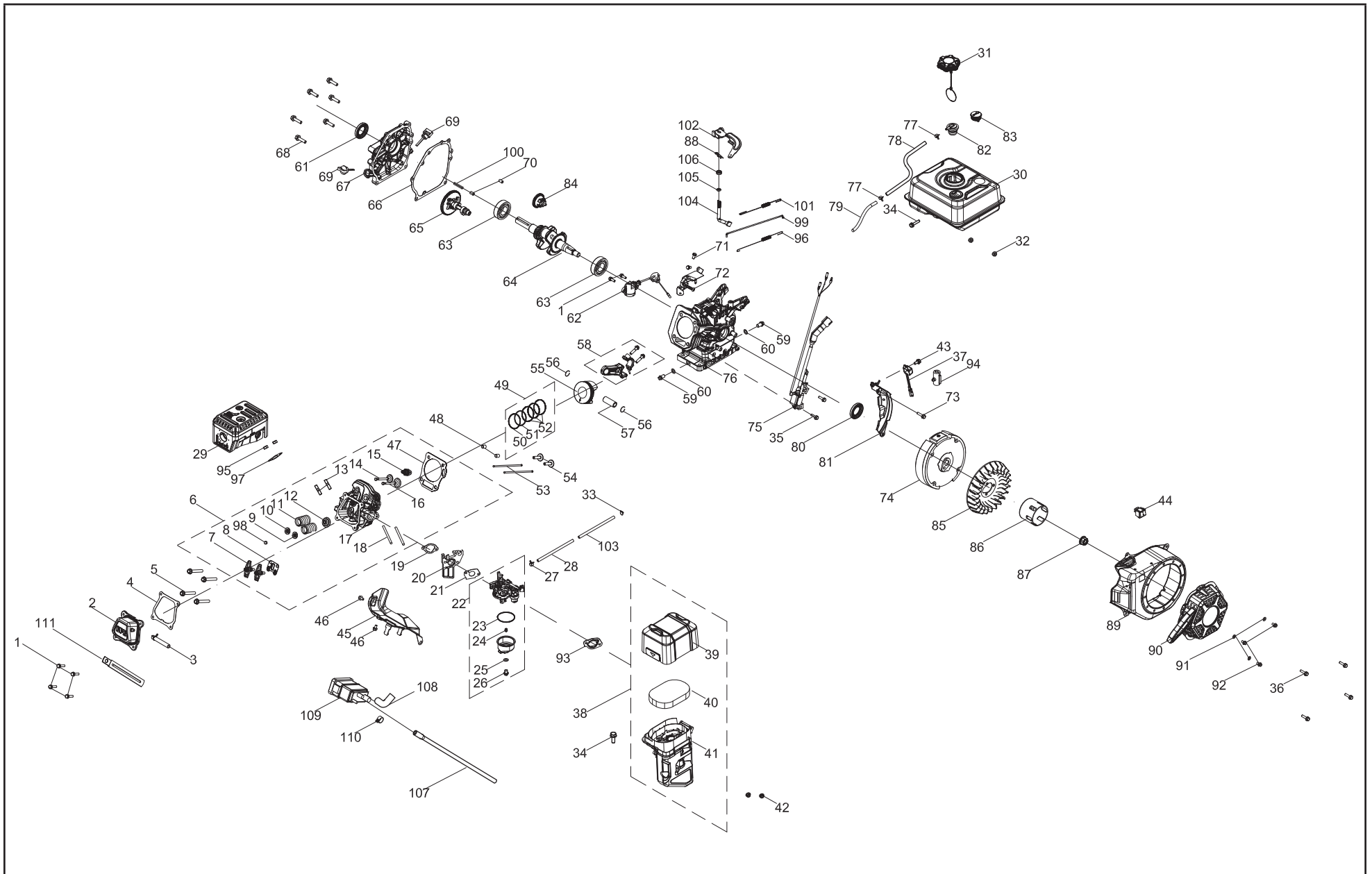
#	Part Number	Description	Qty
1	90001-0612-0101	Hexagon Flange Bolt, M6 × 12, Blue White Zinc	8
2	12410-Z440110-0001	Cylinder Head Cover Subassembly, Blue White Zinc	1
3	12004-Z440110-00A0	Cylinder Head Cover Gasket	1
4	17004-Z440110-0002	Tube, Breather, Ø8 × Ø12 × 90	1
5	14312-Z010110-0000	Valve Lock Nut	2
6	14314-Z010110-0000	Valve Adjusting Nut	2
7	14311-Z010110-0000	Valve Rocker	2
8	14313-Z010110-0000	Valve Adjusting Bolt	2
9	14090-Z010110-0000	Lifter Stopper Plate Subassembly, Blue White Zinc	1
10	12003-Z010110-0001	Cylinder Head Bolt, M8 × 60, Blue White Zinc	4
11	12109-Z810110-0000	Valve Lock Clamp	4
12	12112-Z810210-0000	Valve Spring Retainer	2
13	12103-Z010110-0000	Valve Spring	2
14	12101-Z810210-0000	Seal Guide	1
15	12140-Z810210-00A0	Cylinder Head Subassembly	1
16	30010-Z010110-0000	Spark Plug, F6RTC	1
17	12131-Z950210-0000	Cylinder Head Gasket	1
18	90502-1114-00	Pin, 11 × 14	2
19	14071-Z440110-0000	Valve Lifter	2
20	12121-Z810120-0000	Exhaust Valve	1
21	12111-Z810110-0000	Inlet Valve	1
22	14081-Z040110-0000	Valve Tappet	2
23	13200-Z140210-00A9	Piston Ring Assembly	1
24	13122-Z510210-0000	Piston Pin Clip	2
25	13111-Z810120-00A0	Piston	1
26	13121-Z810110-0000	Piston Pin, Ø13 × Ø45.9	1
27	13010-Z810210-00A0	Connecting Rod	1

#	Part Number	Description	Qty
28	11310-Z810120-00A9	Crankcase Subassembly	1
29	90682-Z300110-0001	Oil Seal, Ø25 × Ø41.25 × 6	2
30	90408-Z010110-0000	Washer, Ø10 × Ø15.8 × 1.5	2
31	11007-Z010110-0001	Drain Plug Bolt, M10 × 1.25 × 15, Blue White Zinc	2
32	16400-Z810210-0000	Governor Gear Assembly	1
33	90547-0205-00	Bearing	2
34	37060-Z010120-0001	Engine oil Sensor, W/O Nut	1
35	90001-0614-01	Hexagon Flange Bolt, M6 × 14, Blue White Zinc	2
36	90305-Z010210-0101	Hexagon Flange Nut, M10, Blue White Zinc	1
37	16061-Z010110-0000	Governor Arm	1
38	90408-Z010210-0000	Washer, Ø6.2 × Ø15 × 0.6	1
39	90501-Z010110-0001	Pin, Blue White Zinc	1
40	16070-Z010110-0001	Governor Support Subassembly, Blue White Zinc	1
41	90305-0600-3101	Hexagon Flange Nut, M6, Blue White Zinc	3
42	16072-Z010110-0001	Governor Support Bolt, M6 × 21, Blue White Zinc	1
43	16063-Z810110-0001	Spring, Governor	1
44	16062-Z010110-0001	Governeur Rod, Blue White Zinc	1
45	16012-Z010310-0000	Throttle Valve Returning Spring	1
46	16520-Z012510-0100	Throttle Control Assembly, Blue White Zinc	1
47	90001-0610-0101	Hexagon Flange Bolt, M6 × 10, Blue White Zinc	5
48	14200-Z810310-0000	Camshaft Assembly	1
49	13300-Z812110-0000	Crankshaft Assembly	1
50	11001-Z440110-00A0	Crankcase Gasket	1
51	90502-0912-00	Pin, 9 × 12	2
52	15010-Z290110-L401	Oil Dipstick Subassembly	2
53	11411-Z440410-00A0	Crankcase Cover	1

#	Part Number	Description	Qty
54	90001-0832-0101	Hexagon Flange Bolt, M8 × 32, Blue White Zinc	6
55	13510-Z440410-0000	Flywheel Subassembly	1
56	19352-Z440110-0001	Impeller	1
57	28002-Z0L0110-0000	Starter Pulley, Blue White Zinc	1
58	13501-Z010110-0000	Flywheel Nut, M14 × 1.5, Blue White Zinc	1
59	30400-Z441010-0001	Ignition Coil	1
60	90001-0625-01	Hexagon Flange Bolt, M6 × 25, Blue White Zinc	2
61	19304-Z010610-0001	Cylinder Body Shroud, Blue White Zinc	1
62	90684-Z010410-0001	Clip	1
63	19340-Z010510-LS01	Lower Shield, Blue White Zinc	1
64	90001-0616-01	Hexagon Flange Bolt, M6 × 16, Blue White Zinc	1
65	37050-Z010210-0001	Oil Protector, Blue White Zinc	1
66	28110-Z810310-L400	Shroud	1
67	35555-Z810110-0000	Switch Connector Grounding Wire	1
68	35541-Z010610-0000	Stop Engine Connecting Wire	1
69	35540-Z010610-R901	Stop Engine Switch Subassembly	1
70	28200-Z141210-H300	Recoil Starter Assembly	1
71	90408-0600-03	Washer, Black Zinc	3
72	90001-0608-03	Hexagon Flange Bolt, M6 × 8, Black Zinc	3
73	90684-Z030210-0000	Clip	1
74	90203-Z010110-0000	Stud, M8 × 34, Black Zinc	2
75	18001-Z440110-00A0	Exhaust Gasket	1
76	18100-Z140410-0003	Muffler Assembly	1
77	90303-0800-3101	Hexagon Nut, M8, Blue White Zinc	2
78	90204-Z620110-00A0	Stud, M6 × 115, Black Zinc	2
79	16002-Z010110-0000	Carburetor Insulator Gasket	1
80	16003-Z010110-0000	Carburetor Insulator Plate	1
81	16001-Z010110-0000	Carburetor Gasket	1
82	16100-Z811410-00M3	Carburetor Assembly	1

#	Part Number	Description	Qty
83	17001-Z010210-0000	Air Cleaner Gasket	1
84	17100-Z011910-00A1	Air Cleaner	1
85	17151-Z2M0110-0000	Air Cleaner Element	1
86	90305-0600-33	Hexagon Flange Nut, M6, Black Zinc	2
87	90007-0630-A1	Hexagon Flange Bolt, M6 × 30, Blue White Zinc	1
88	16161-Z151810-0000	Main Jet, Standard	1
	16161-Z151610-0000	Main Jet, Altitude 3000-6000 Feet	1
	16161-Z151410-0000	Main Jet, Altitude 6000-8000 Feet	1
89	16112-Z010310-0000	Seal Ring, Float	1
90	90681-Z010610-0000	Seal Ring	1
91	16620-Z810310-H300	Fuel Tank	1
92	16680-Z010210-0000	Fuel Tank Oil Outlet Subassembly	1
93	90740-Z010510-00A1	Clamp	1
94	90686-Z010710-00M1	Fuel Pipe, Ø4.5 × Ø8.5 × 160	1
95	30431-Z010110-0003	Rubber Jacket, Ø9.5 × Ø11 × 90, Black	1
96	90521-U060110-0000	Key	1
97	90722-Z2R0110-0000	End Plug	1
98	16730-Z440810-LK01	Fuel Tank Cap	1
99	16652-Z010810-0001	Fuel Strainer	1
100	37200-Z810210-0001	Fuel Gauge	1
101	90685-Z030610-01A1	Clamp, Ø8 × 7 × 0.6	1
102	90001-0630-0101	Hexagon Flange Bolt, M6 × 30, Blue White Zinc	1
103	12110-Z810120-0099	Valve Set	1

# ENGINE PARTS DIAGRAM 1TC7QG027



**ENGINE PARTS LIST 1TC7QG027**

#	Part Number	Description	Qty.
1	100011264-0003	Flange Bolt M6 x 16, GB5789	6
2	100002335	Cylinder Head Cover(Cpe)	1
3	100002832	Breather Tube	1
4	100079562	Gasket, Cylinder Head Cover	1
5	100002464-0001	Flange Bolt M8 x 60	4
6	100734143	Cylinder Head Assembly	1
7	100004420	Rocker Arm	2
8	100050881	Guide Plate, Push Rod	1
9	100004580	Valve Spring Seat, Intake	1
10	100004585	Valve Spring Seat, Exhaust	1
11	100004564	Spring Valve	2
12	100004600	Oil Seal, Intake Valve	1
13	100010387	Stud Bolt M8 x 34	2
14	100057969	Exhaust Valve	1
15	100009378	Spark Plug F6RTC	1
16	100004522	Intake Valve	1
17	100002378	Cylinder Head	1
18	100733507	Stud Bolt M6 x 115	2
19	100078607	Gasket, Insulator	1
20	100005599	Insulator, Carburetor	1
21	100078606	Gasket, Carburetor	1
22	100730983-0001	Carburetor Assembly	1
23	100005717	O-Ring, Fuel Bowl	1
24	100073724	Main Jet Standard (#74)	1
	100092470	Main Jet Altitude 1000-3000m (#72)	/
25	100006037	Gasket, Fuel Bowl Mounting Bolt	1
26	100005725	Mounting Bolt, Fuel Bowl	1
27	100005149	Clamp Ø7.5	1
28	100063788	Fuel Tube, Ø4 x Ø8 x 160	1
29	100730892	Muffler Assembly	1

#	Part Number	Description	Qty.
30	100730667-0002	Fuel Tank Assembly	1
31	100730969	Fuel Tank Cap	1
32	100011452-0003	Flange Nut M6	2
33	100005137	Clamp	1
34	100011269-0003	Flange Bolt M6 x 28	2
35	100011268-0003	Flange Bolt M6 x 25	2
36	100011262-0003	Flange Bolt M6 x 14	4
37	100010040	Oil Sensor	1
38	100731169	Air Cleaner Assembly	1
39	100734201	Air Cleaner Cover	1
40	100734202	Air Cleaner Element	1
41	100734203	Air Cleaner Base	1
42	100011463-0004	Flange Nut M6, GB6177.1	2
43	100011261-0004	Flange Bolt M6 x 12	1
44	100733063-0001	Switch	1
45	100071973	Air Guide, Lower	1
46	100011260-0005	Flange Bolt M6 x 10, GB5789	2
47	100155656	Gasket, Cylinder Head	1
48	100010558	Dowel Pin Ø10 x 16	2
49	100003243	Piston Ring Set	1
50	100072134	1st Piston Ring	1
51	100072135	2nd Piston Ring	1
52	100072136	Oil Ring	1
53	100004395	Push Rod	2
54	100004262	Lifter, Valve	2
55	100003086	Piston	1
56	100003221	Circlip, Wrist Pin	2
57	100003123	Wrist Pin	1
58	100003446	Connecting Rod Assembly	1
59	100010272	Drain Bolt, M10 x 1.25 x 15	2

#	Part Number	Description	Qty.
60	100010459	Washer Ø10 x 1.5 x Ø16	2
61	100017651	Oil Seal Ø25 x Ø41.25 x 6, Spiral Grain	1
62	100010011	Oil Level Sensor	1
63	100010680	Bearing, 6205	2
64	100023653	Crankshaft	1
65	100099599	Camshaft	1
66	100010148	Gasket, Crankcase Cover	1
67	100066338	Cover, Crankcase	1
68	100011319-0001	Flange Bolt M8 x 32	6
69	100004105-0006	Oil Dipstick Assembly	2
70	100010550	Dowel Pin Ø8 x 14	2
71	100011215-0001	Flange Bolt M6 x 12	2
72	100730968	Control Assembly	1
73	100011266-0004	Flange Bolt M6 x 20	1
74	100009503	Flywheel	1
75	100733580	Ignition Module	1
76	100002680	Crankcase	1
77	100005148	Clamp Ø8	2
78	100732680	Vent Tube, Fuel Tank To Carbon Canister	1
79	100063948	Sheath, Vent Tube, 22 mm	1
80	100017644	Oil Seal Ø25 x Ø41.25 x 6	1
81	100150079	Lower Guard	1
82	100008968	Reversal Valve	1
83	100730895	Fuel Gauge	1
84	100008296	Gear, Governor	1
85	100007028	Cooling Fan	1
86	100007550	Pulley, Starter	1
87	100011459-0003	Flange Nut M14 x 1.5	1
88	100007986	Cotter, Governor Shaft	1
89	100734204-0001	Fan Cover, Yellow	1
90	100734205-0001	Recoil Starter	1
91	100010894-0002	Washer Ø6	3

#	Part Number	Description	Qty.
92	100011528-0002	Flange Bolt M6 x 10	3
93	100005629	Gasket, Air Cleaner Base	1
94	100000657	Clip	1
95	100011422-0004	Flange Nut M8, GB6170	2
96	100053141	Spring, Throttle Return	1
97	100006526	Gasket, Muffler	1
98	100004588	Retainer, Valve	1
99	100007947	Rod, Governor	1
100	100010620	Key, 4.75 x 4.75 x 35	1
101	100007855	Spring, Governor	1
102	100039298	Arm, Governor	1
103	100009151	Fuel Tube Jacket 2	1
104	100007975	Governor Shaft	1
105	100010113	Sealing Ring, Ø5.2 x 1.9	1
106	100017630	Oil Seal Ø6 x Ø11 x 4	1
107	100732681	Vent Tube, 215mm	1
108	100081431	Sheath Tube, Carbon Canister	1
109	100008951	Carbon Canister	1
110	100062810	Clamp Ø9.5 x 8	1
111	100000655	Wire Clip B	1