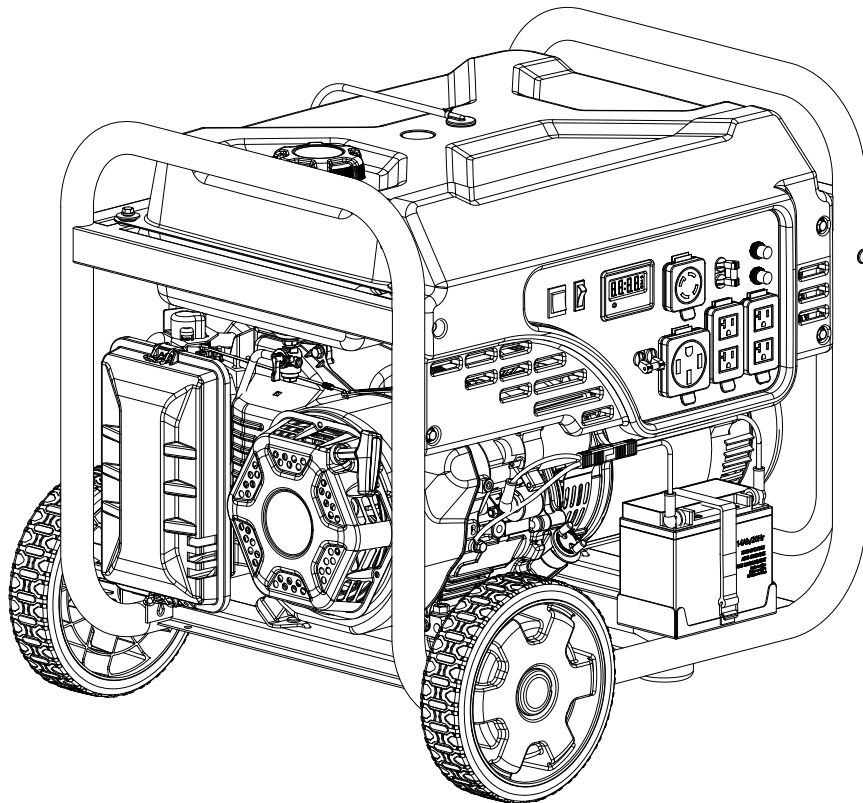


Champion Power Equipment, Inc., Santa Fe Springs, CA USA

**MODEL #201218**



## **PARTS INFORMATION**

**9000W WIRELESS REMOTE START GENERATOR**

**SERIAL NUMBER RANGE: ALL**



To order replacement parts please visit:  
**[shop.championpowerequipment.com](http://shop.championpowerequipment.com)**  
or call **1-877-338-0999**.

## **TABLE OF CONTENTS**

<b>Generator Parts Diagram .....</b>	<b>3</b>
<b>Generator Parts List .....</b>	<b>4</b>
<b>Engine Parts Diagram .....</b>	<b>5</b>
<b>Engine Parts List .....</b>	<b>6</b>
<b>Cylinder Head Parts Diagram .....</b>	<b>8</b>
<b>Cylinder Head Parts List .....</b>	<b>9</b>
<b>Carburetor Parts Diagram .....</b>	<b>10</b>
<b>Carburetor Parts List .....</b>	<b>11</b>
<b>Alternator Parts Diagram .....</b>	<b>12</b>
<b>Alternator Parts List .....</b>	<b>13</b>
<b>Fuel Tank Parts Diagram .....</b>	<b>14</b>
<b>Fuel Tank Parts List .....</b>	<b>15</b>
<b>Control Panel Parts Diagram .....</b>	<b>16</b>
<b>Control Panel Parts List .....</b>	<b>17</b>
<b>Frame Assembly Parts Diagram .....</b>	<b>18</b>
<b>Frame Assembly Parts List .....</b>	<b>19</b>
<b>Wiring Diagram .....</b>	<b>20</b>

# GENERATOR PARTS DIAGRAM

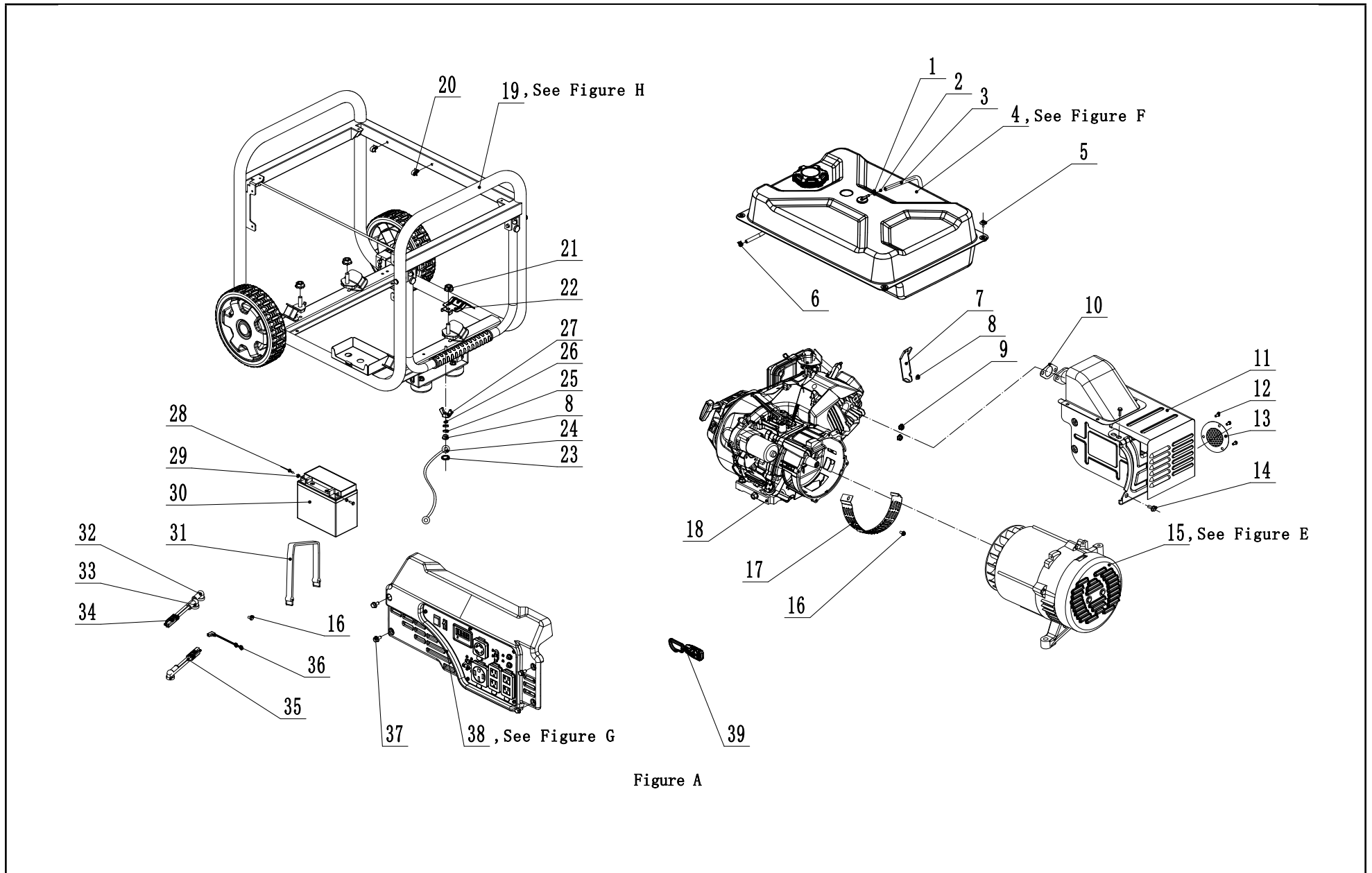


Figure A

**GENERATOR PARTS LIST**

#	Part Number	Description	Qty.
1	2.06.006	Clamp, Ø7 x Ø1	1
2	24.070030.00	Hole, Breather Tube	1
3	152.070014.06	Tube, Reversal Valve	1
4	152.070000.64.48	Fuel Tank, 29.1L, Yellow, See Figure F	1
5	2.08.143.1	Flange Bolt/Washer Assembly M6 x 20, Black	4
6	2.06.007	Clamp Ø8.2 x b8	1
7	45.090006.20	Holder, Air Cleaner	1
8	1.6177.1.06	Lock Nut M6, Flange	2
9	1.6177.1.08	Lock Nut M8, Flange	2
10	46.100001.07	Gasket, Exhaust	1
11	46.101000.01.2	Muffler Assembly	1
12	1.9074.4.0510	Screw/Washer Assembly M5 x 10	3
13	46.101300.00	Spark Arrester Assembly	1
14	1.16674.0820.1	Flange Bolt M8 x 20, Black	2
15	155.190000.07	Motor combination, AI, Ø204 x 158 mm, See Figure E	1
16	1.5789.0608	Flange Bolt M6 x 8	2
17	152.192300.01	Air Guide	1
18	48.610	Engine, 459cc	1
19	65317.201218	Frame, Wheel Kit, See Figure H	1
20	2.05.001	Clamp, Ø8 x 6.5	2
21	1.6177.1.10	Lock Nut M10, Flange	4
22	152.100007.00	Insulation Board, Motor Mount	1
23	1.862.06	Lock Washer Ø6, Toothed	1
24	5.1900.155	Grounding Line 150 mm	1
25	1.97.1.06.2	Washer Ø6	2
26	1.93.06	Lock Washer Ø6	1
27	1.62.06	Butterfly Type Nut M6	1
28	1.9074.3.0510	Screw/Washer Assembly M5 x 10	2
29	1.6177.1.05	Lock Nut M5, Flange	2

#	Part Number	Description	Qty.
30	9.1000.140	Battery 12V14AH	1
31	152.200904.00	Pinch, Rubber	1
32	152.200013.02.3	Jacket, Wire, Red	2
33	152.200013.02	Jacket, Wire, Blcak	1
34	5.1900.126	Wire, To SAE Battery	1
35	5.1900.125	Wire, To SAE Motor	1
36	152.200013.03	Sleeve, Connector	1
37	1.5789.0615.1	Flange Bolt M6 x 15, Black	4
38	201218.21	Control Panel Assembly, See Figure G	1
39	9.2600.003	Remote Control	1

# ENGINE PARTS DIAGRAM

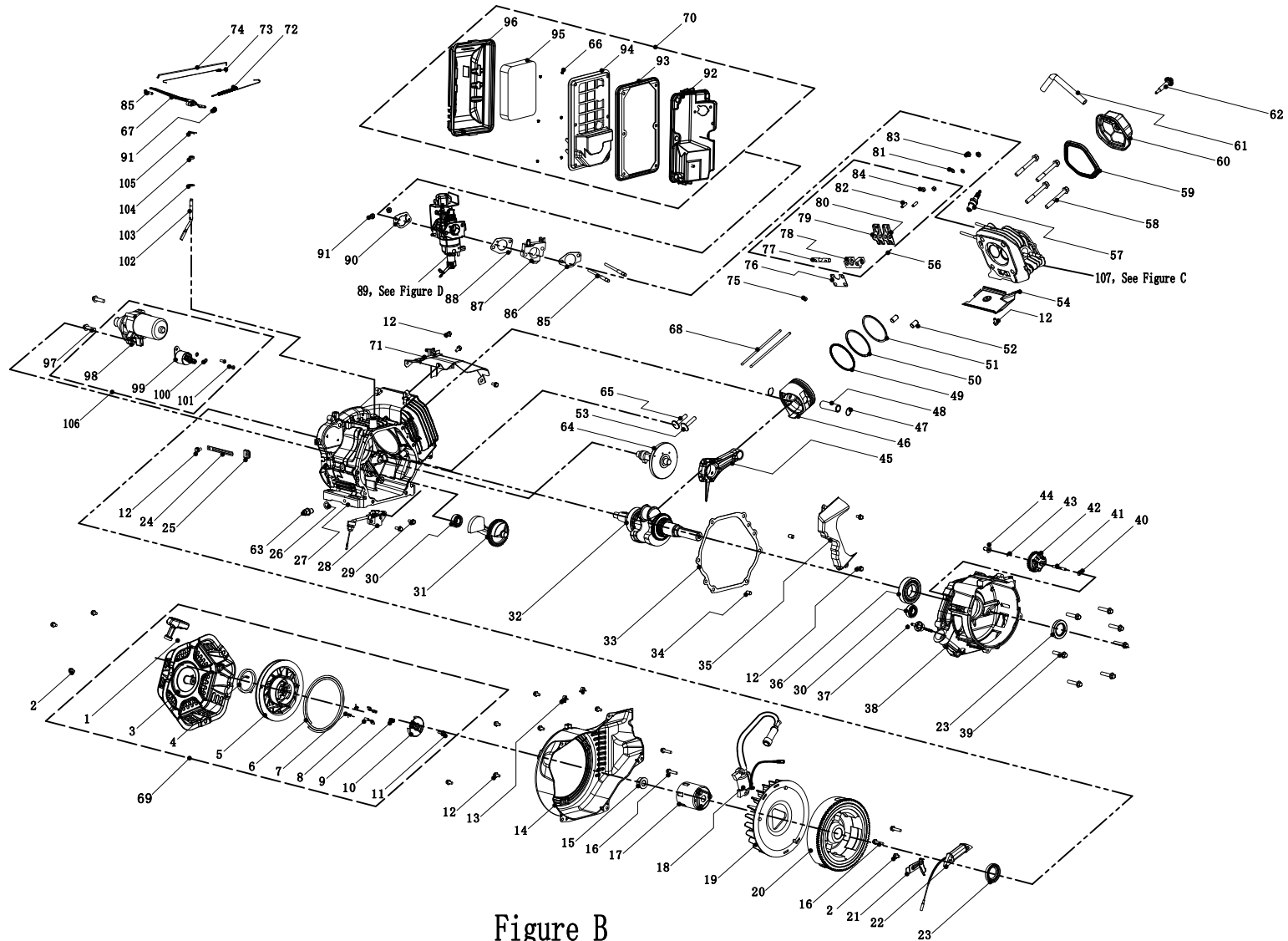


Figure B

**ENGINE PARTS LIST**

#	Part Number	Description	Qty.
1	21.061300.01	Handle, Recoil, Soft, Black	1
2	1.16674.0608	Flange Bolt M6 x 8	3
3	46.061100.03.2	Cover, Recoil Starter, Black	1
4	45.060005.00	Spring, Recoil Starter	1
5	45.061102.00	Reel, Recoil Starter	1
6	2.10.003.1	Rope Ø4 x 1550, Black	1
7	45.060003.00	Spring, Ratchet	2
8	45.060002.00	Starter Ratchet, Steel	2
9	45.060009.00	Spring, Ratchet Guide	1
10	45.060007.00	Ratchet Guide	1
11	45.060008.00	Screw, Ratchet Guide	1
12	1.5789.0612	Flange Bolt M6 x 12	12
13	2.05.001	Clamp Ø8 x 6.5	2
14	47.080100.01.48	Fan Cover, Yellow	1
15	2.02.007	Nut M16 x 1.5	1
16	1.5789.0629	Flange Bolt M6 x 29	4
17	45.060001.00	Pulley, Starter	1
18	46.123000.08	Ignition Coil	1
19	48.080001.00	Cooling Fan	1
20	46.120100.04	Flywheel	1
21	45.030006.00	Plate, Coil	1
22	45.121000.00	Coil, Charging	1
23	2.11.007	Oil Seal Ø35 x Ø52 x 8	2
24	2.05.050	Wire Clip, 100 mm	1
25	152.070031.01	Sheath, Wire	1
26	2.03.023	Washer Ø12.5 x Ø20 x 2, Drain Bolt	1
27	48.030100.00	Crankcase	1
28	45.127000.02	Oil Level Sensor	1
29	1.5789.0615	Flange Bolt M6 x 15	2
30	1.276.6202	Bearing 6202	2

#	Part Number	Description	Qty.
31	48.050006.00	Weight Balancer	1
32	47.050100.01	Crankshaft	1
33	46.030008.00	Gasket, Crankcase Cover	1
34	2.04.001	Dowel Pin Ø9 x 14	2
35	46.080600.00	Air Guide, Right Side	1
36	1.276.6207	Bearing 6207	1
37	46.031000.01.48	Oil Dipstick Assembly, Yellow	1
38	45.030007.00	Cover, Crankcase	1
39	1.5789.0840	Flange Bolt M8 x 40	7
40	2.03.021.1	Washer Ø6.4 x Ø13 x 1, Black	1
41	45.110013.00	Shaft, Governor Gear	1
42	45.110100.00	Gear, Governor	1
43	21.110011.00	Clip, Governor Gear	1
44	45.110012.00	Bushing, Governor Gear	1
45	47.050200.00	Connecting Rod	1
46	48.050005.00	Piston	1
47	2.09.004	Circlip Ø21 x Ø1	2
48	45.050003.00	Pin, Piston	1
49	48.050303.00	Ring, Oil	1
50	48.050302.00	Ring, Second Piston	1
51	48.050301.00	Ring, First Piston	1
52	2.04.004	Dowel Pin Ø12 x 20	2
53	45.040013.00	Lifter, Exhaust Valve	1
54	46.080400.00	Air Guide, Lower	1
55	47.010100.01	Cylinder Head	1
56	46.040200.00	Rocker Arm Assembly	1
57	2.15.002(F6RTC)	Spark Plug F6RTC	1
58	2.08.122	Flange Bolt M10 x 95	4
59	46.020002.00	Gasket, Cylinder Head Cover	1
60	47.021000.00	Cover, Cylinder Head	1

#	Part Number	Description	Qty.
61	45.020001.02	Breather Tube	1
62	47.020100.00	Bolt, Cylinder Head Cover	1
63	2.08.039	Drain Bolt M12 x 1.5 x 15	1
64	48.041000.00	Camshaft	1
65	48.040013.00	Lifter, Intake Valve	1
66	1.6177.1	Flange Nut M5	6
67	48.110003.00	Arm, Governor	1
68	46.040005.00	Push Rod	2
69	46.061000.03.2	Recoil Assembly	1
70	46.091000.11	Air Cleaner Assembly	1
71	46.080300.20	Air Guide, Upper	1
72	45.110007.00	Spring, Governor	1
73	45.110005.00	Spring, Throttle Return	1
74	45.110006.00	Rod, Governor	1
75	45.040008.00	Rotator, Exhaust Valve	1
76	46.040004.00	Guide Plate, Push Rod	1
77	46.040016.00	Shaft, Rocker Arm	1
78	46.040201.00	Retainer, Rocker Arm	1
79	46.040009.00	Rocker Arm, Intake Valve	1
80	46.040018.00	Rocker Arm, Exhaust Valve	1
81	1.97.1.06	Washer Ø6	2
82	22.040012.00	Screw, Valve Adjustment	2
83	1.6177.1.06	Lock Nut M6, Flange	2
84	21.040021.00	Nut M6 x 0.5, Lock	2
85	2.08.040	Bolt M6 x 21, Governor Arm	1
86	46.130002.20	Gasket, Insulator	1
87	45.130001.00	Insulator, Carburetor	1
88	46.130003.20	Gasket, Carburetor	1
89	48.130000.11	Carburetor	1
90	46.130004.20	Gasket, Air Cleaner	1
91	1.6177.06	Flange Nut M6	3
92	46.091100.09	Base, Air Cleaner	1

#	Part Number	Description	Qty.
93	45.091002.20	Seal, Air Cleaner	1
94	45.091001.20	Separator, Air Cleaner	1
95	45.091003.20	Element, Air Cleaner	1
96	46.091200.11	Cover, Air Cleaner	1
97	1.5789.0835	Flange Bolt M8 x 35	2
98	45.125100.00	Starter Motor	1
99	45.125200.01	Relay, Starter, Remote Control	1
100	1.93.05	Lock Washer Ø5	2
101	1.16674.0516	Flange Bolt M5 x 16	2
102	45.110001.00	Shaft, Governor Arm	1
103	2.03.019	Washer Ø8.2 x Ø17 x 0.8	1
104	2.11.006	Oil Seal Ø7 x Ø14 x 5	1
105	45.110008.00	Pin, Shaft	1
106	45.125000.01	Starter Motor Assembly	1
107	47.010000.01	Cylinder Head Assembly	1

# CYLINDER HEAD PARTS DIAGRAM

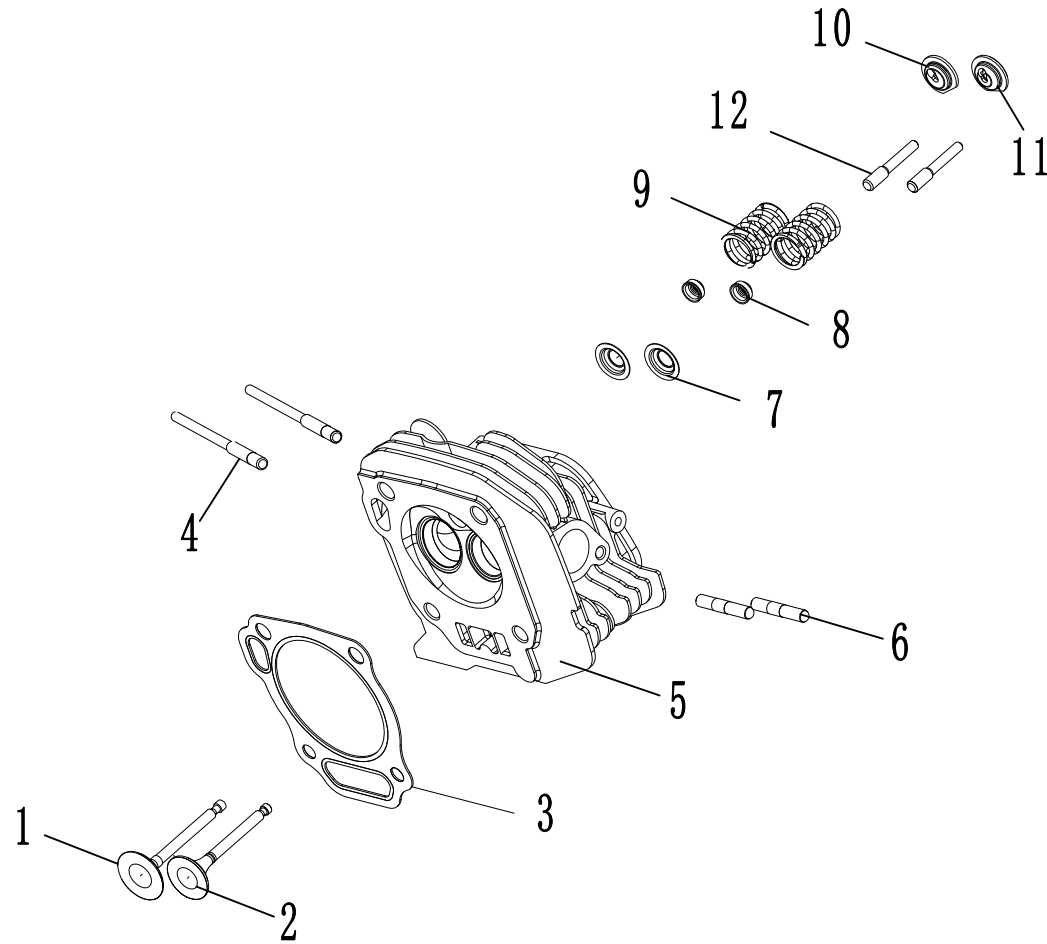


Figure C



**CYLINDER HEAD PARTS LIST**

#	Part Number	Description	Qty.
1	47.040002.00	Valve, Intake	1
2	47.040006.00	Valve, Exhaust	1
3	48.030009.00	Gasket, Cylinder Head	1
4	2.01.008	Stud Bolt M6 x M8 x 105	2
5	47.010100.01	Cylinder Head	1
6	2.01.010	Stud Bolt M8 x 35	2
7	45.040015.00	Retainer, Valve Spring	2
8	45.040017.00	Oil Seal, Valve	2
9	45.040003.00	Spring, Valve	2
10	45.040001.00	Retainer, Intake Valve Spring	1
11	45.040007.00	Retainer, Exhaust Valve Spring	1
12	23.040010.00	Bolt, Rocker Arm	2

## CARBURETOR PARTS DIAGRAM

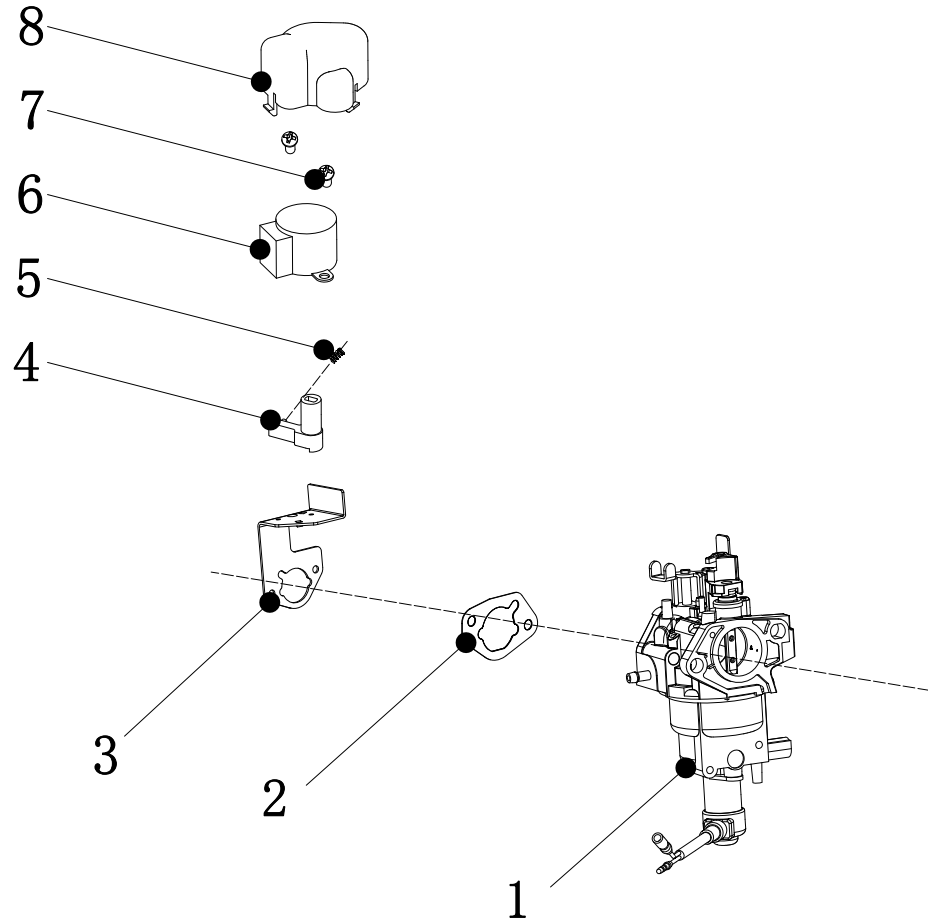


Figure D

**CARBURETOR PARTS LIST**

#	Part Number	Description	Qty.
1	48.131000.11	Carburetor	1
2	46.130004.20	Gasket, Air Cleaner	1
3	45.130005.01	Support, Stepper Motor	1
4	26.130015.24	Connector, Choke Valve Axis	1
5	81.130010.00	Spring, Connector	1
6	45.132200.03	Stepper Motor	1
7	1.823.0408	Screw M4 x 8	2
8	81.132001.00	Cover, Stepper Motor	1

# ALTERNATOR PARTS DIAGRAM

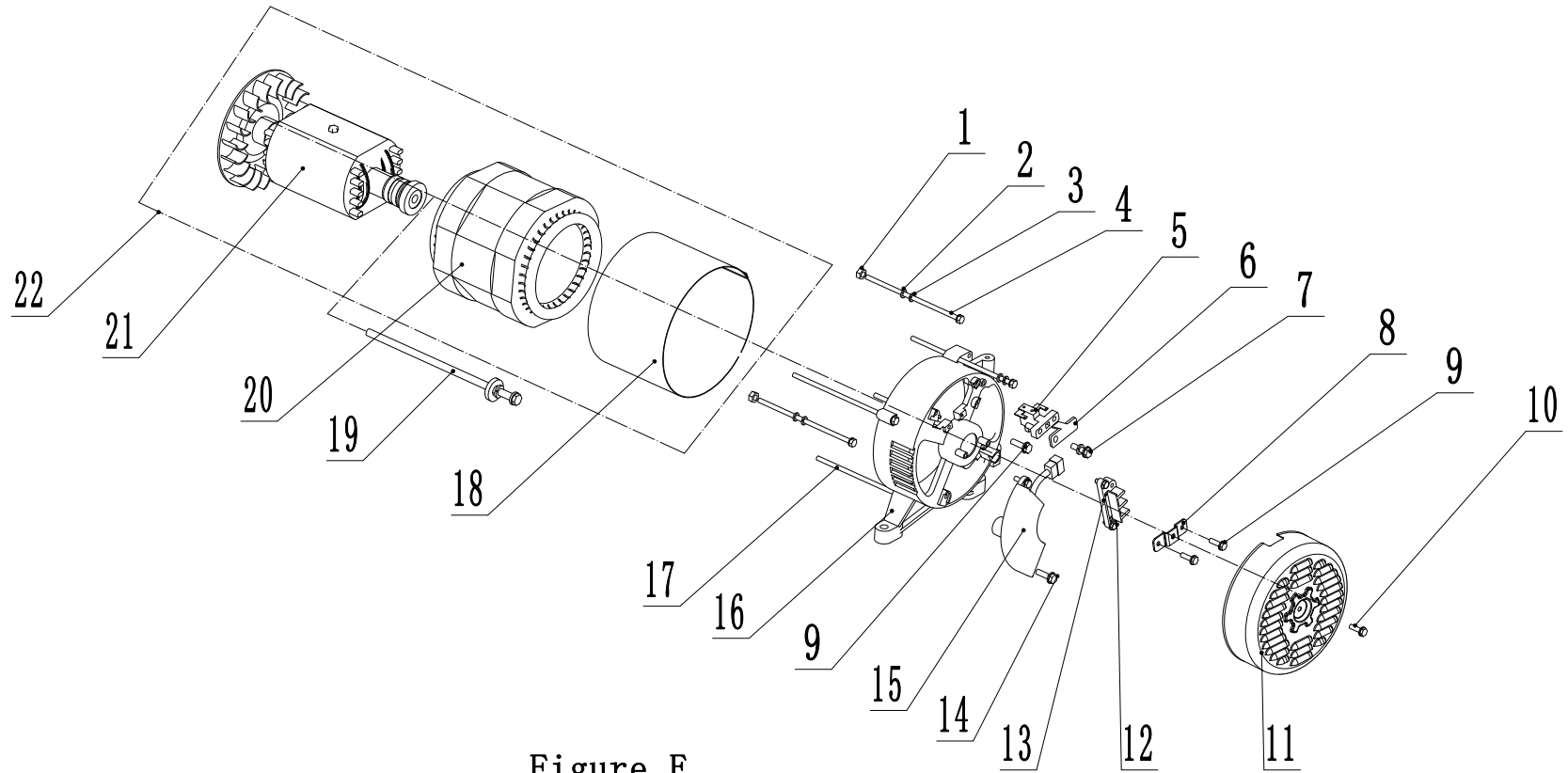


Figure E

**ALTERNATOR PARTS LIST**

#	Part Number	Description	Qty.
1	1.6175.05	Nut M5	2
2	1.97.1.05	Washer Ø5	2
3	1.93.05	Lock Washer Ø5	2
4	2.08.071	Bolt M5 x 229	2
5	152.190300.00	Carbon Bursh Assembly	1
6	122.190004.01	Pinch, Carbon Brush	1
7	1.9074.15.0520	Bolt/Washer Assembly M5 x 20	1
8	122.190018.03	Bracket, Generator End Cover	1
9	1.16674.0512	Flange Bolt M5 x 12	3
10	2.08.185.1	Flange Bolt M5 x 10, Black	1
11	152.190003.02.48	Generator End Cover, Yellow	1
12	1.9074.17.0516	Screw/Washer Assembly M5 x 16	2
13	122.190400.02	Terminal Block	1
14	1.16674.0516	Flange Bolt M5 x 16	2
15	154.190200.02	AVR	1
16	152.190002.00	End Housing	1
17	2.08.069	Flange Bolt/Washer Assembly M6 x 194	4
18	154.191002.00	Stator Cover	1
19	2.08.070	Flange Bolt/Washer Assembly M10 x 280	1
20	155.191200.07	Stator Assembly, Al, Ø204 x 158 mm	1
21	155.191100.07	Rotor Assembly, Al, Ø204 x 158 mm	1
22	155.191000.07	Motor Assembly, Al, Ø204 x 158 mm	1

## FUEL TANK PARTS DIAGRAM

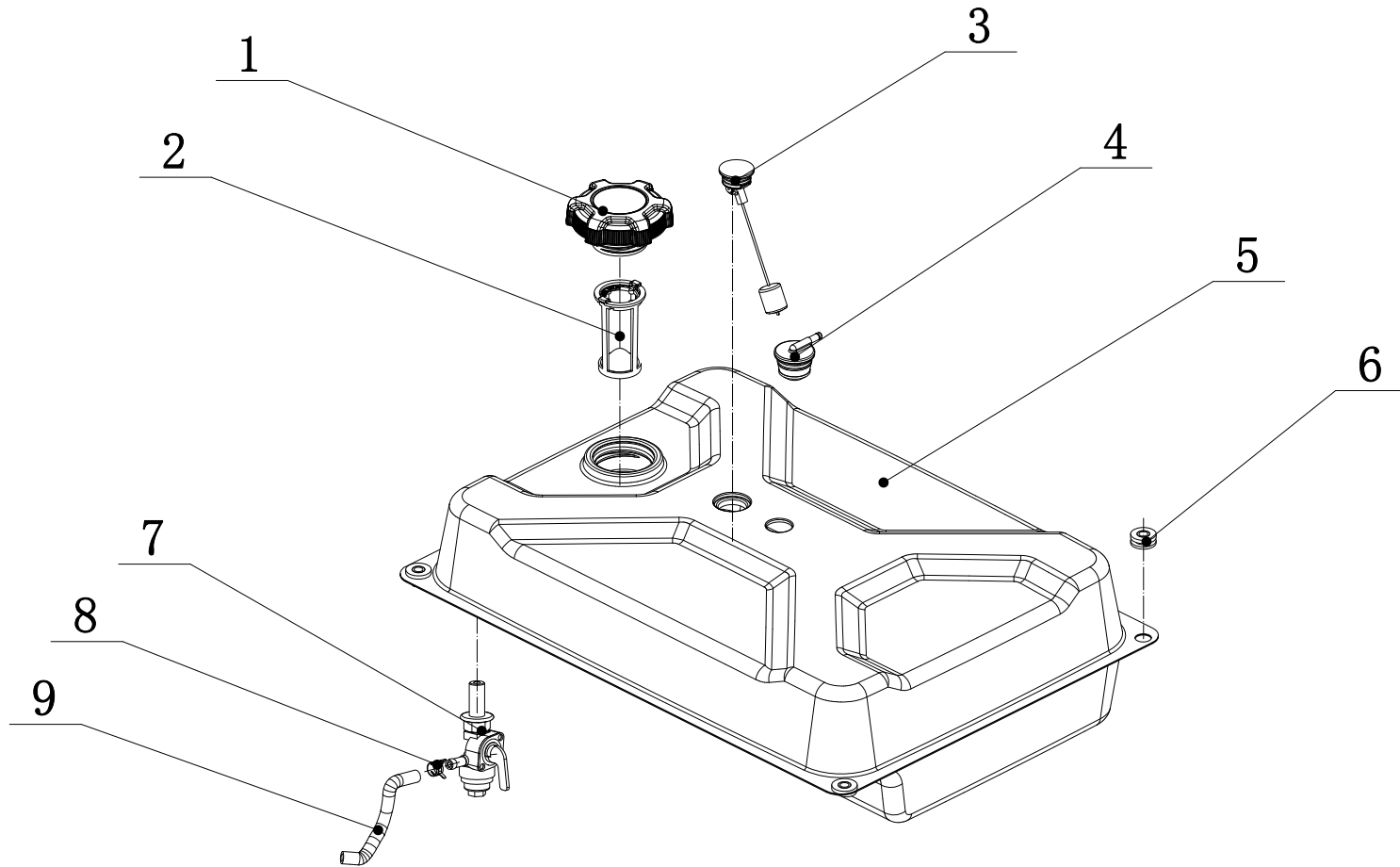


Figure F

**FUEL TANK PARTS LIST**

#	Part Number	Description	Qty.
1	122.070100.09	Fuel Tank Cap	1
2	122.070300.03	Fuel Filter	1
3	152.072000.06	Fuel Gauge Assembly	1
4	24.070800.00	Reversal Valve	1
5	152.071000.64.48	Fuel Tank, 29.1L, Yellow	1
6	122.070015.01	Mount Vibration, Fuel Tank	4
7	122.070400.05	Fuel Valve	1
8	2.06.007	Clamp Ø8.2 x b8	1
9	152.070011.07	Fuel Tube, 195 mm	1

# CONTROL PANEL PARTS DIAGRAM

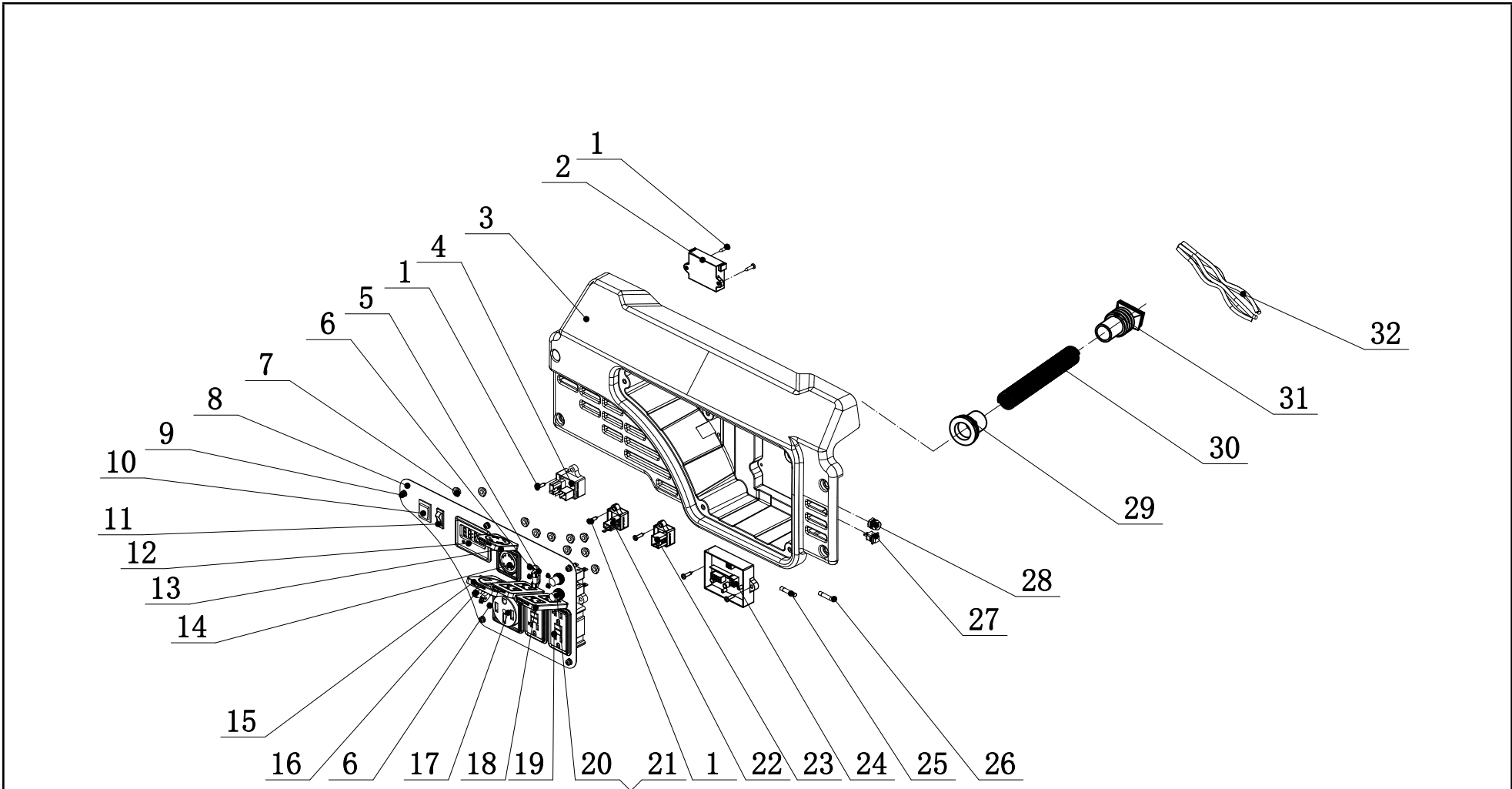


Figure G



**CONTROL PANEL PARTS LIST**

#	Part Number	Description	Qty.
1	1.845.4216	Screw, ST4.2 x 16	7
2	5.1830.022	Module, CO Shutdown	1
3	152.210002.68	Control Box	1
4	5.1810.000	Over Voltage Protector, CSA	1
5	5.1240.930	30Amp Circuit Breaker, Double Pole, CSA	1
6	1.9074.4.0306.1	Screw/Washer Assembly M3 x 6, Black	8
7	1.6177.1.04.1	Lock Nut M4, Flange, Black	10
8	152.209.29.2	Control Panel	1
9	1.9074.4.0514.1	Screw/Washer Assembly M5 x 14, Black	5
10	5.1000.015.3	Ignition Switch, Red	1
11	5.1000.014.3	Battery Switch, Red	1
12	5.1470.000	Intelligauge, INT1BOF	1
13	5.1870.020	Receptacle Cover, Receptacle L14-30R	1
14	5.1120.026	Receptacle L14-30R, CSA	1
15	5.1870.024	Receptacle Cover, Receptacle 14-50R	1
16	5.1240.937	37.5Amp Circuit Breaker, Double Pole, CSA	1
17	5.1120.044	Receptacle 14-50R	1
18	5.1870.022	Receptacle Cover, Receptacle 5-20R GFCI	2
19	5.1120.050	Receptacle 5-20R, Duplex GFCI	2
20	5.1210.920	20Amp Circuit Breaker, Push Button, CSA	2
21	5.1870.014	Circuit Breaker Cover, Push Button	2
22	5.1820.000	Charger	1
23	5.1800.000	Rectifier	1
24	5.1830.033	Remote Control	1
25	5.1280.009	Fuse, 10A	1

#	Part Number	Description	Qty.
26	5.1280.008	Fuse, 5A	1
27	5.1040.004	Remote Exercise Button	1
28	5.1460.003	Pilot Lamp	1
29	152.210003.01	Wire Jacket, Control Box	1
30	5.1320.024	Sheath, Wire	1
31	152.210003.03	Plug, Control Box	1
32	201218.21.10	Wire Harness Assembly	1

# FRAME ASSEMBLY PARTS DIAGRAM

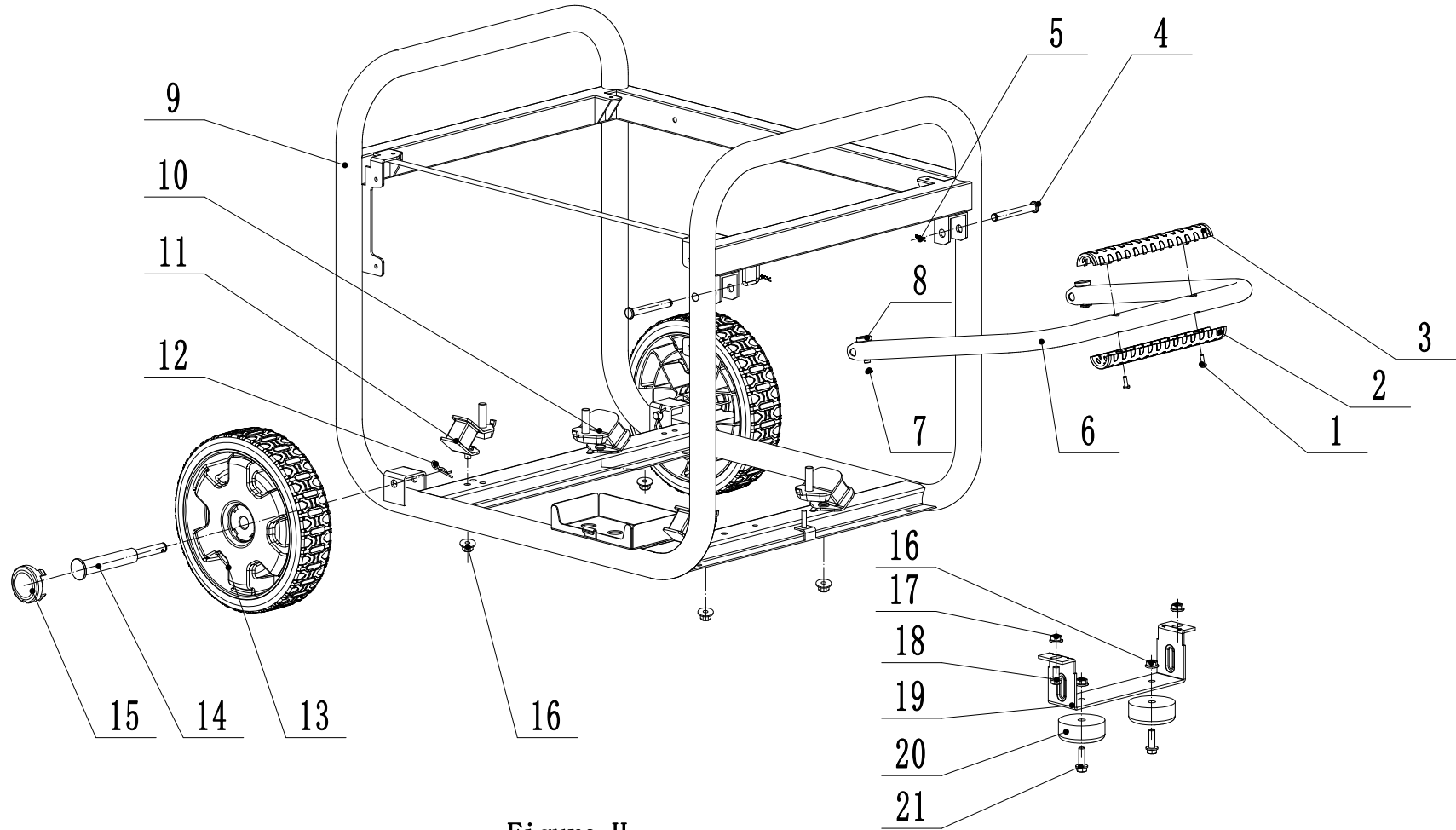
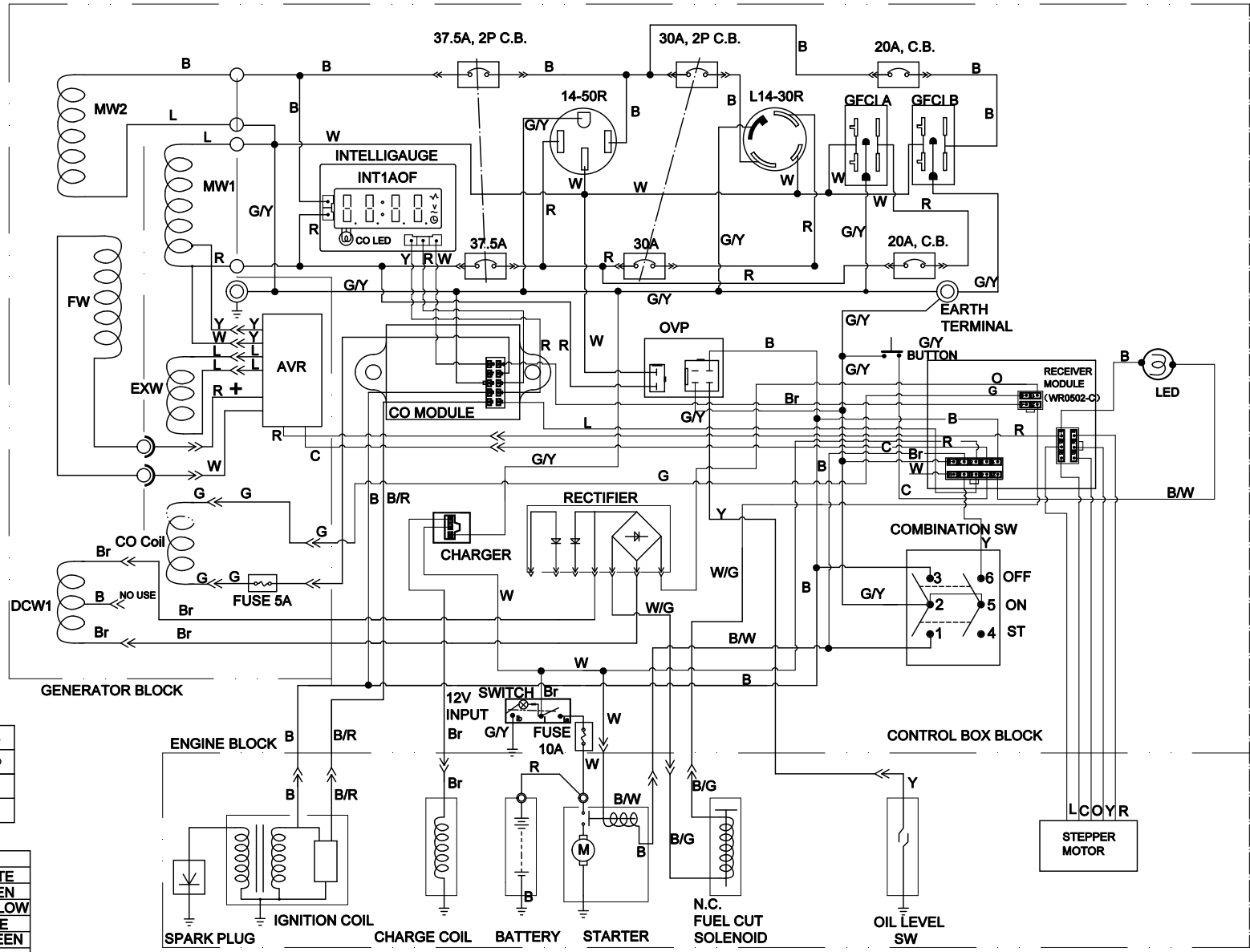


Figure H

**FRAME ASSEMBLY PARTS LIST**

#	Part Number	Description	Qty.
1	2.08.193	Bolt M4 x 14	2
2	122.200702.14.48	Cover, Handle, Lower, Yellow	1
3	122.200702.13.48	Cover, Handle, Upper, Yellow	1
4	152.200703.03	Long Pin, Handle	2
5	11.110008.00	Pin Ø1.6 x 24, "R" Shape , Black	2
6	152.200701.22.2	Handle, U Shape, Black	1
7	1.894.1.08	Circlip Ø8	2
8	152.200703.02	Short Pin, Handle	2
9	65317.0.10.2	Frame, 700 x 541 x 600	1
10	152.201200.04	Motor Mount 2	2
11	152.201200.03	Motor Mount 1	2
12	2.16.001.1	Pin Ø2 x 33, "R" Shape , Black	2
13	152.201701.13.48	9.5 in. Wheel, PU, Yellow	2
14	122.201501.25.1	Pin Roll, Wheel, Ø16 x Ø10 x 97, Black	2
15	122.201702.11.48	Wheel Cover, Tooth Profile 8-10 in, Yellow	2
16	1.6177.1.08	Lock Nut M8, Flange	6
17	1.6177.1.08.1	Lock Nut M8, Flange , Black	2
18	1.5789.0816.1	Flange Bolt M8 x 16, Black	2
19	152.200002.01.2	Support Leg 84 mm	1
20	152.201400.00	Rubber, Support	2
21	1.5789.0825	Flange Bolt M8 x 25	2

# WIRING DIAGRAM



**IGNITION SWITCH**

	1	2	3	4	5	6
OFF		○	○			○
ON						
ST	○	○		○	○	

B	BLACK	Br	BROWN
Y	YELLOW	B/W	BLACK WHITE
L	BLUE	W/G	WHITE GREEN
G	GREEN	G/Y	GREEN YELLOW
R	RED	W/L	WHITE BLUE
W	WHITE	B/G	BLACK GREEN
C	CARNATION	O	ORANGE