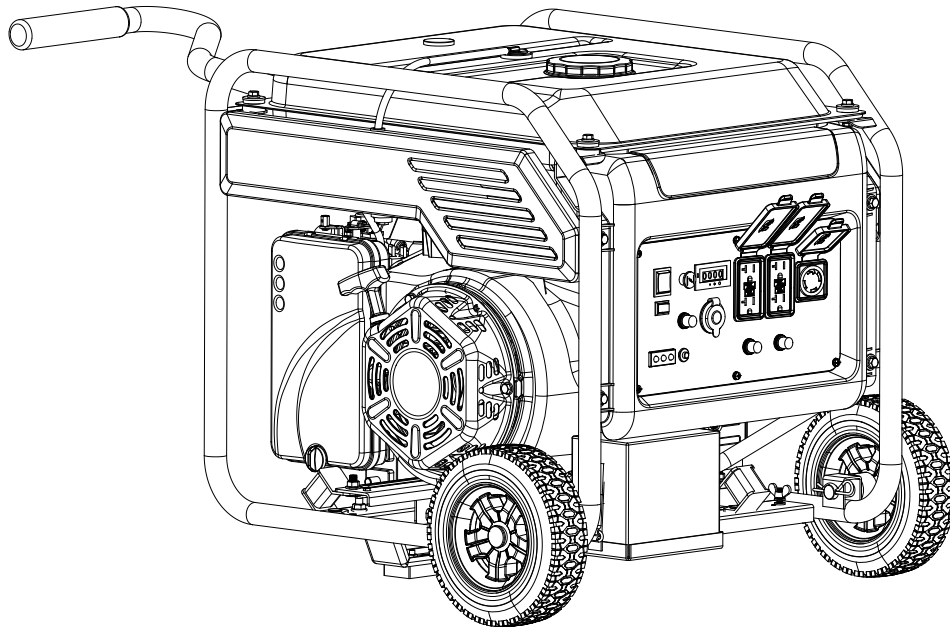




Champion Power Equipment, Inc., Santa Fe Springs, CA USA

MODEL #100520



PARTS INFORMATION

8750W OPEN FRAME INVERTER GENERATOR

SERIAL NUMBER RANGE: ALL

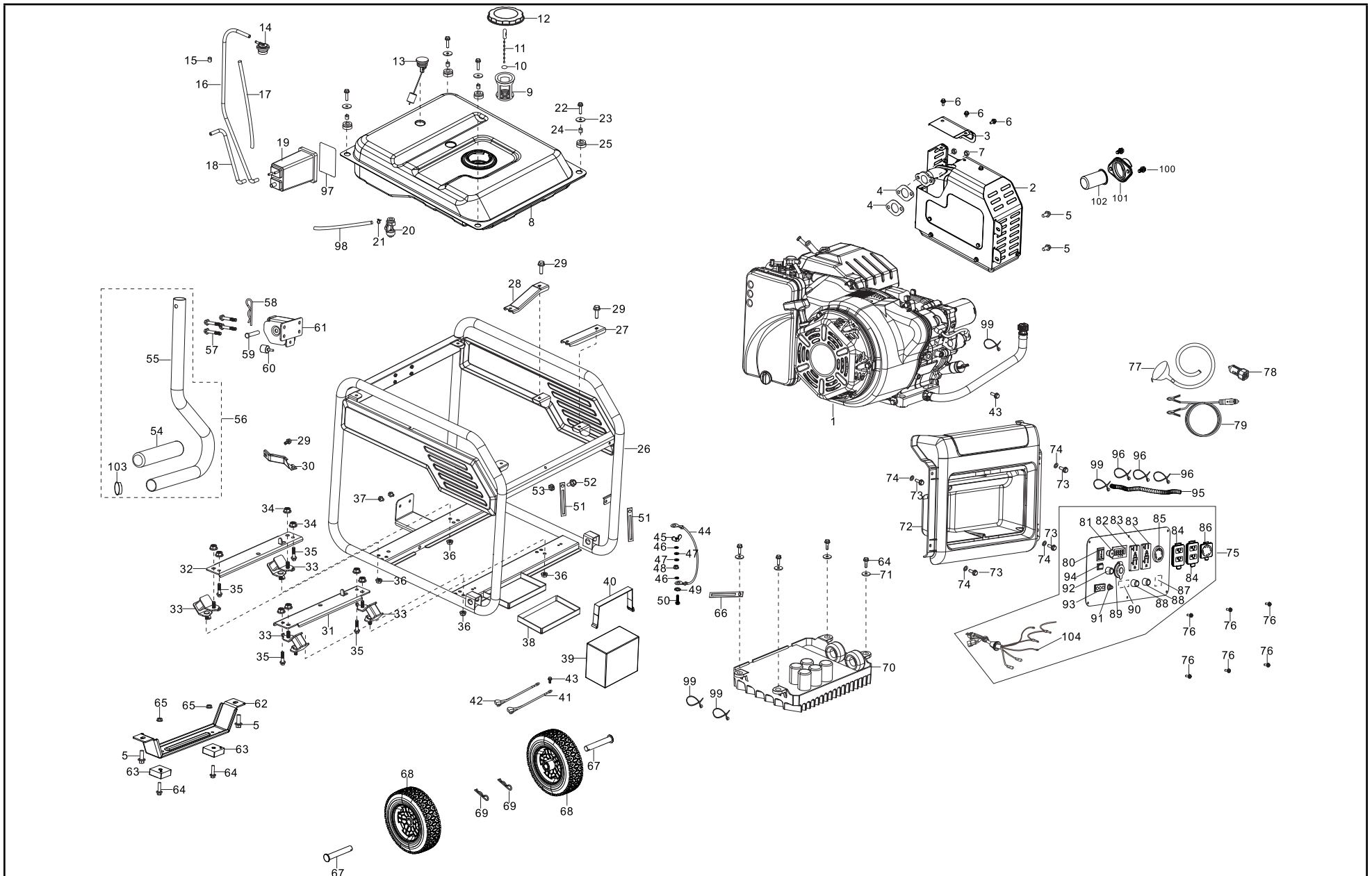


To order replacement parts please visit:
shop.championpowerequipment.com
or call **1-877-338-0999**.

TABLE OF CONTENTS

Inverter Generator Parts Diagram	3
Inverter Generator Parts List	4
Engine Parts Diagram	6
Engine Parts List	7
Wiring Diagram	9

INVERTER GENERATOR PARTS DIAGRAM



INVERTER GENERATOR PARTS LIST

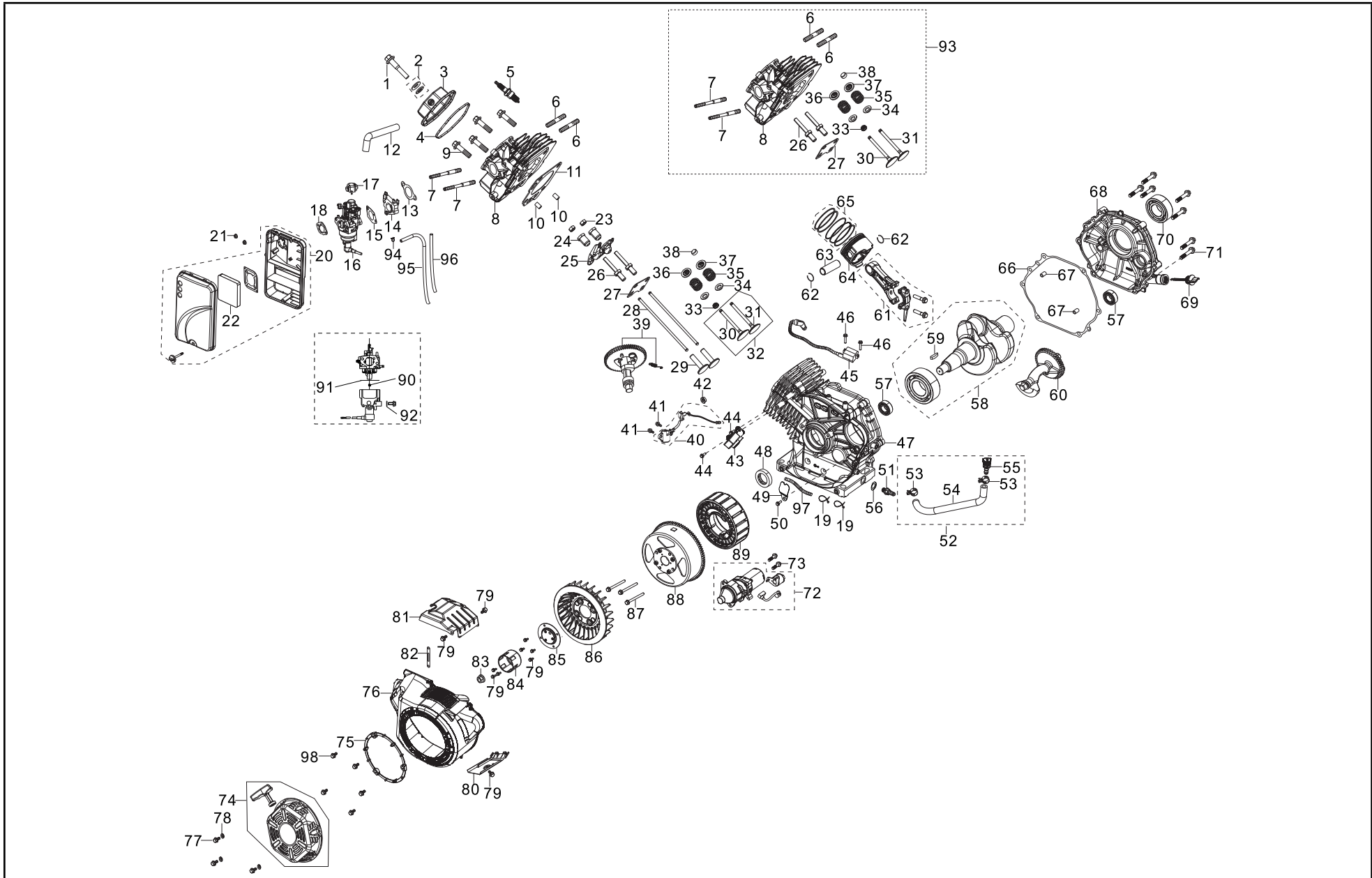
#	Part Number	Description	Qty.
1	R420MI000F0B-CMP03	Engine, 420cc	1
2	18100-Y9X0411-H7A0	Muffler Assembly	1
3	18013-Y9X0120-H7A0	Muffler Shield	1
4	18001-Z080110-00A0	Exhaust Outlet Gasket	2
5	90001-0816-03	Hexagon Flange Bolt, M8 x 16, White Zinc	4
6	90022-0612-03	Hexagon Flange Lock Bolt, M6 x 12, Black Zinc	3
7	90303-0800-33	Hexagon Flange Nut, M8, Black Zinc	2
8	16620-Y9X0111-L400	Fuel Tank, 16L	1
9	16652-Y020120-00A0	Fuel Filter	1
10	16658-Y730110-0000	Clip, Ø0.8 x Ø10, Chain	1
11	16744-Y730110-00A0	Chain, Fuel Tank Cap, Zinc plated, L=160mm	1
12	16730-Y020610-H7A0	Fuel Tank Cap	1
13	37200-Y2V0110-00A0	Fuel Gauge	1
14	15150-Y1Z0110-00A0	One Way Valve	1
15	90698-Y1Z0110-0000	Protective Rubber Sleeve, Ø8.5	1
16	16804-Y9X0310-0000	Connection Tube, Ø4.5 x Ø8.5 x 800	1
17	30431-Y9X0110-0000	Rubber Sleeve, Ø9.5 x Ø11 x 300	1
18	16805-Y9X0110-0000	Connection Tube, Air Cleaner, Ø4.5-6.5 x Ø8.5-10.5 x 230	1
19	16801-Y9K0111-00A0	Carbon Canister, 320 cc	1
20	16750-Y020211-0000	Fuel Valve Assembly	1
21	90685-D080-0EA0	Clamp, Ø8 x Ø0.6 x 7	1
22	90007-0625-A3	Hexagon Flange Bolt, M6 x 25, Black Zinc	4
23	90408-Y020110-0000	Flat Washer, Black Zinc	4
24	90683-Y020110-0000	Bushing, Ø8.7 x 12.2, White Zinc	4
25	16601-Y020120-0000	Fuel Tank Rubber Sleeve	4
26	51100-Y9X0411-H700	Frame Assembly, Ø25 x 1.2, 580 x 485 x 510	1
27	30081HY9X0110-H700	Holder 1, Control Unit	1
28	30081HY9X0210-H700	Holder 2, Control Unit	1

#	Part Number	Description	Qty.
29	90001-0612-03	Hexagon Flange Bolt, M6 x 12, Black Zinc	3
30	17003-Y290110-0000	Air Cleaner Support	1
31	51002-Y9X0310-H700	Dead Plate 1, Engine	1
32	51002-Y9X0210-H700	Dead Plate 2, Engine	1
33	51005HY9X0310-0000	Vibration Mount, Frame	4
34	90306-1000-31A0	Hexagon Flange Nut, M10 x 1.25, White Zinc	8
35	90002-1040-01A0	Hexagon Flange Bolt, M10 x 1.25 x 40, White Zinc	4
36	90305-0800-31A0	Hexagon Flange Nut, M8, White Zinc	4
37	90001-0610-03	Hexagon Flange Bolt, M6 x 10, Black Zinc	2
38	93097-Y9X0211-00A0	Cushioning Board for Battery	1
39	31110-Y9X0310-0000	Battery, 12V/14Ah	1
40	31115-Y6D0110-0000	Strap, Battery	1
41	31112HY9X0111-0000	Wire Harness, Battery	1
42	31114HY9X0110-0000	Wire Harness, Engine	1
43	90001-0610-01A0	Hexagon Flange Bolt, M6 x 10, White Zinc	2
44	30009-YBE0110-0000	Grounding Wire	1
45	90312-0600-33	Wing Nut, M6, Black Zinc	1
46	90403-0600-03	Lock Washer, Black Zinc	2
47	90408-0600-E3	Flat Washer, Black Zinc	2
48	90303-0600-33	Hexagon Flange Nut, M6, Black Zinc	1
49	90415-0600-Z1	Toothed Washer, Ø6, White Zinc	1
50	90001-0625-03	Hexagon Flange Bolt, M6 x 25, Black Zinc	1
51	90684-Z010310-0000	Clip, 130 mm	2
52	90001-0608-03	Hexagon Flange Bolt, M6 x 8, Black Zinc	1
53	90314-0600-33	Hexagon Flange Nut, M6, Black Zinc	1
54	54101-Y990110-0000	Handle Sheath, Ø28 x 150	1
55	54110-Y9X0310-H700	Handle, Ø28 x 1.2	1
56	CMP-SBG-8000	Handle Assembly	1
57	90001-0630-03	Hexagon Flange Bolt, M6 x 30, White Zinc	4

#	Part Number	Description	Qty.
58	90583-YGK0110-03A0	R Pin	1
59	90504-Y9X0110-0300	Pin Shaft, Ø8 x 45, Black Zinc	1
60	51008-Y2D0210-0000	Shock Absorption Pole	1
61	54113HY9X0110-H700	Handle Tube Connecting Seat	1
62	51016-Y9X0110-H7A0	Support Leg	1
63	51014HY9X0110-0000	Vibration Mount, Support Leg	2
64	90001-0620-03	Hexagon Flange Bolt, M6 x 20, Black Zinc	6
65	90305-0600-33	Hexagon Flange Nut, M6, White Zinc	2
66	90684-Z030120-0000	Clip, 100 mm	1
67	44020-Y9X0110-0300	Roll Pin, Ø16 x 98, Black Zinc	2
68	44110-Y9X0110-L400	8in. Wheel, Yellow	2
69	90501-Y2C0110-0300	Cotter Pin, Ø3 x 64, Black Zinc	2
70	30043-Y9X0810-00A0	Invertor, 6.5Kw/240V/60Hz	1
71	90408-Y990210-0000	Flat Washer, Black Zinc	4
72	35680-Y9X0210-Q200	Control Box	1
73	90007-0616-A3	Hexagon Flange Bolt, M6 x 16, Black Zinc	4
74	90406-0600-E3	Washer, Ø6.4 x Ø18 x 1.6, Black Zinc	4
75	35610-Y9X1212-H300	Control Panel Subassembly	1
	S/N≤21MAR1700224		
	35610-Y9X3010-H700		
	S/N>21MAR1700224		
76	90255-0510-53	Screw & Washer Assembly, M5 x 10, Black Zinc	6
77	93106HY020210-00A0	Flexible Oil Funnel	1
78	35613-YBE0110-0000	12VDC USB Adapter	1
	S/N≤21MAR2700776		
	35613-YBE0210-0000		
	S/N>21MAR2700776		
79	93041-YBE0110-0000	Battery Charger Cables	10
80	35160-Y7C0110-00A0	Switch, 16A/250V	1
81	16080-YB30110-0000	Choke Cable Assembly	1
82	35632-Y9X0310-0000	Intelligauge, VFT-3	1

#	Part Number	Description	Qty.
83	35614-Y9X0110-0000	GFCI 5-20R Receptacle, 125V/20A	2
84	35654-YGK0910-0000	Receptacle Cover, GFCI 5-20R	2
85	35614-Y090110-0000	L14-30R Receptacle, 125V/250V/30A	1
86	35654-YGK0610-0000	Receptacle Cover, L14-30R	1
87	35621-YBE0210-0000	Rectifier Bridge	1
88	31234-YBE0210-0000	20Amp Circuit Breaker, Push Button, 125V/250V	2
89	35619-Y110110-0000	Automotive Receptacle, 12V DC	1
90	30007-Y9X0210-0000	Charger Module	1
91	35646-Y2V0110-0000	Reset Button, AC250V/0.5A	1
92	31234-YBE0110-0000	8Amp Circuit Breaker, Push Button, 125V/250V	1
93	30700-YBE0110-0000	Ignitor	1
94	35160-Y0G0110-0000	Economy Switch, 3A/250V /6A/125V	1
95	90697-Y9X0110-0000	Corrugated Pipe, Ø40 x 250	1
96	90727-Y040110-0300	Cable Ties, 3.5 x 190, Black	3
97	93097-Y9X0110-0000	Insulator Plate	1
98	30431-Y9X0210-0000	Rubber Sleeve, Ø9.5 x Ø11x80 PVC	1
	S/N≤21MAR1700224		
	30431-Y030110-0000		
	S/N>21MAR1700224		
99	90727-Y040110-0000	Cable Ties, 3.5 x 190, White	4
100	90005-0510-01	Hexagon Flange Bolt, M5 x 10, White Zinc	2
101	18213-Z800310-0000	Shield, Muffler	1
102	18250-Y9X0110-0000	Spark Arrestor	1
103	90722-Y2D0110-0000	End Plug, Handle	1
104	35660-Y9X1210-0000	Wire Harness, Control Panel	1

ENGINE PARTS DIAGRAM



ENGINE PARTS LIST

#	Part Number	Description	Qty.
1	12032-Z080110-0101	Cylinder Head Cover Bolt Subassembly, White Zinc	1
2	12034-Z080110-0091	Cylinder Head Cover Gasket Subassembly, White Zinc	1
3	12410-Z580110-0100	Cylinder Head Cover Subassembly, Octagon, White Zinc	1
4	12004-Z580110-0099	Cylinder Head Cover Gasket	1
5	30010-Z010110-0000	Spark Plug, F6RTC	1
6	90203-Z010110-0000	Stud, M8 x 34, Black Zinc	2
7	90204-Z100410-0000	Stud, M6/8 x 110, Black Zinc	2
8	12140-Z980110-0BA0	Cylinder Head	1
9	12003-Z080110-0001	Cylinder Head Bolt, M10 x 80, White Zinc	4
10	90502-1220-00A0	Pin, Ø12 x 20	2
11	12131-Z190410-0000	Cylinder Head Gasket	1
12	17004HZ980110-00A0	Breather Tube, Ø10.5 x Ø15 x 133	1
13	17002-Z100110-0000	Inlet Gasket	1
14	16003-Z980110-0000	Carburetor Insulator Plate	1
15	16001-Z100110-0000	Carburetor Gasket	1
16	16100-Z980211-00M0	Carburetor Assembly	1
	S/N≤21MAR1700224		
	16100-Z980212-00M0		
	S/N>21MAR1700224		
17	14411-Y2V0110-0000	Cap, Stepping Motor	1
18	17001-Z080210-0000	Air Cleaner Gasket	1
19	90727-Y130210-0000	Cable Ties, 3 x 150	2
20	17000-Z980110-0001	Air Cleaner Set	1
21	90305-0600-3101	Hexagon Flange Nut, M6, White Zinc	2
22	17151-Z310210-0000	Element, Air Cleaner	1
23	14312-Z010110-0000	Valve Lock Nut	2
24	14314-Z010110-0000	Valve Adjusting Nut	2

#	Part Number	Description	Qty.
25	14311-Z080110-0000	Valve Rocker	2
26	14313-Z010110-0000	Valve Adjusting Bolt	2
27	14090-Z080110-0000	Guide Plate Subassembly, White Zinc	1
28	14070-Z100110-0000	Valve Rod	2
29	14081-Z080110-0000	Valve Lifter	2
30	12111-Z100110-0099	Inlet Valve	1
31	12121-Z190110-0099	Exhaust valve	1
32	12110-Z190110-0099	Valve set	1
33	12101-Z080110-0000	Seal Guide	1
34	12105-Z080110-0000	Valve Spring Seat	2
35	12103-Z080110-0000	Valve Spring	2
36	12112-Z080110-0000	Valve Spring Retainer, Inlet Valve	1
37	12107-Z080110-0000	Valve Spring Retainer, Exhaust valve	1
38	12104-Z080110-0000	Rotator, Valve	1
39	14200-Z190510-00A1	Camshaft Assembly	1
40	37060-Z080120-0000	Oil Sensor	1
	S/N≤21MAR1700224		
	37060-Z080510-0000		
	S/N>21MAR1700224		
41	90001-0616-01A0	Hexagon Flange Bolt, M6 x 16, White Zinc	2
42	90305-Z010210-0101	Hexagon Flange Nut, M10 x 15, White Zinc	1
43	30130-Z980120-0000	Trigger Assembly	1
	S/N≤21MAR1700224		
	30130-Z980210-0000		
	S/N>21MAR1700224		
44	90001-0516-01A0	Hexagon Flange Bolt, M5 x 16, White Zinc	2
45	30400-Z980110-0003	Ignition Coil	1
46	90001-0520-0102	Hexagon Flange Bolt, M5 x 20, White Zinc	2
47	11310-Z980211-0BA0	Crankcase Subassembly	1
48	90682-Z100110-0000	Oil Seal	1

#	Part Number	Description	Qty.
49	30002-Z980111-0000	Magneto Wiring Clamp	1
50	90001-0510-01A0	Hexagon Flange Bolt, M5 x 10, White Zinc	1
51	90689-Z120110-0001	Connecting, Oil Drain Hose, Ø6.5 x Ø12, M12x1.5	1
52	11011HZ980110-L401	Oil Drain Hose Subassembly, d=9.5, D=17, L=330, Black	1
53	90685-Z120210-0000	Clamp, Ø14.5 x 11 x 0.8	2
54	11011-HZ980110-L4A0	Oil Drain Hose	1
55	15031-Z980110-0000	Engine Oil Plug	1
56	90412-Z080110-00A0	Flat Washer	1
57	90548-0202-00A0	Bearing, 6202	2
58	13300-Z980110-RB0T	Crankshaft Assembly	1
59	90524-Z010110-0000	Woodruff Key	1
60	13400-Z190320-00A0	Shaft Assembly, Balancing	1
61	13010-Z190120-00A0	Connecting Rod	1
62	13122-Z100110-0000	Piston Pin Clip	2
63	13121-Z100110-0000	Piston Pin, Ø20 x 62	1
64	13111-Z190310-00A9	Piston	1
65	13200-Z190210-0099	Piston Rings Set	1
66	11001-Z100220-0000	Crankcase Gasket	1
67	90502-0812-00A0	Pin, Ø8 x 12	2
68	11411-Z980110-0BA0	Crankcase Cover Assembly	1
69	15010-Z080130-L401	Oil Dipstick Subassembly, 109C	1
70	90547-0207-00A0	Deep Groove Ball Bearing	1
71	90001-0840-0101	Hexagon Flange Bolt, M8 x 40, White Zinc	7
72	30300-Z980210-0001	Motor Assembly, Starting	1
73	90001-0825-01A0	Hexagon Flange Bolt, M8 x 25, White Zinc	2
74	28200-Z980410-H700	Recoil Starter Assembly	1
75	28261-Z980110-0000	Circlip, Rope	1
76	28110-Z980110-L400	Shroud	1
77	90001-0620-01	Hexagon Flange Bolt, M6 x 20, White Zinc	3
78	90408-0600-E1	Flat Washer, M6, White Zinc	3

#	Part Number	Description	Qty.
79	90001-0612-0101	Hexagon Flange Bolt, M6 x 12, White Zinc	10
80	19304-Z100210-0101	Cylinder Body Shroud, White Zinc	1
81	19305-Z980120-0001	Cylinder Body Shroud 2	1
82	90684-Z030120-0000	Clip, 100 mm	1
83	13501-Z080110-00A0	Flywheel Nut, M16 x 1.5, White Zinc	1
84	28002-Z980110-0000	Starter Pulley, White Zinc	1
85	28020-Z150120-0000	Starter Pulley Base	1
86	19352-Z980110-0000	Cooling Fan, Engine	1
87	90007-0665-A1A0	Hexagon Flange Bolt, M6 x 65, White Zinc	3
88	30110-Y9X0110-0000	Rotor Component, Ø210 x 77.5	1
89	30120-Y9X0411-0000	Stator Component, Ø179 x 53	1
90	16161-Z153710-00A0	Main Jet, Standard	1
	16161-Z320410-00A0	Main Jet, (H128x0.54)Altitude 3000-6000 Feet	/
	16161-Z570210-00A0	Main Jet, (H128x0.57)Altitude 6000-8000 Feet	/
91	16112-Z980210-0000	Float Seal Ring	1
92	90681-Z980110-0000	Seal Ring	1
93	96003-ZSS6810-0000	Cylinder Head Subassembly	1
94	90685-D080-0EA0	Clamp, Ø8 x 0.6 x 7	1
95	90686-Z010710-00M0	Fuel Tube, Ø4.5 x Ø8.5 x 160	1
	S/N≤21MAR1700224		
	90686-Y9X0410		
	S/N>21MAR1700224		
96	90698-Z300210-0000	Protective Rubber Sleeve	1
97	90697-YA40110-0000	Corrugated Pipe, Ø17 x 30	1
98	90001-0612-03	Hexagon Flange Bolt, M6 x 20, Black Zinc	5

WIRING DIAGRAM

