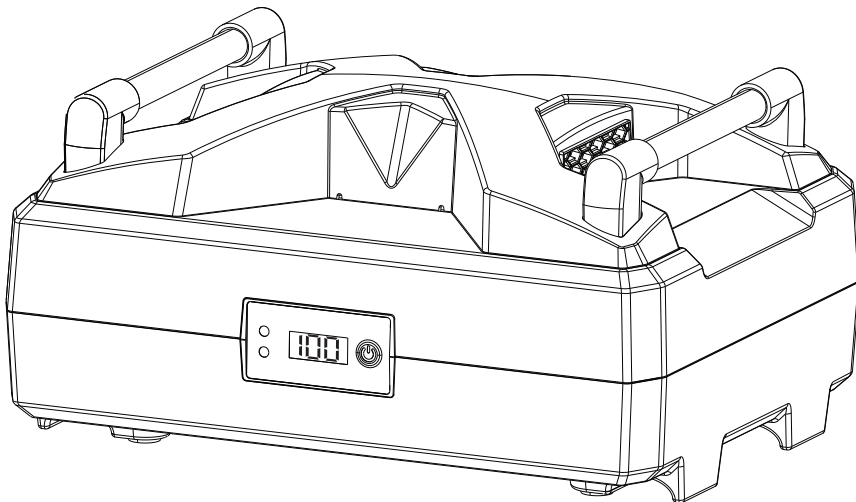




Champion Power Equipment, Inc., Santa Fe Springs, CA USA

MODEL #201107



PARTS INFORMATION

1600 EXPANSION BATTERY

SERIAL NUMBER RANGE: ALL

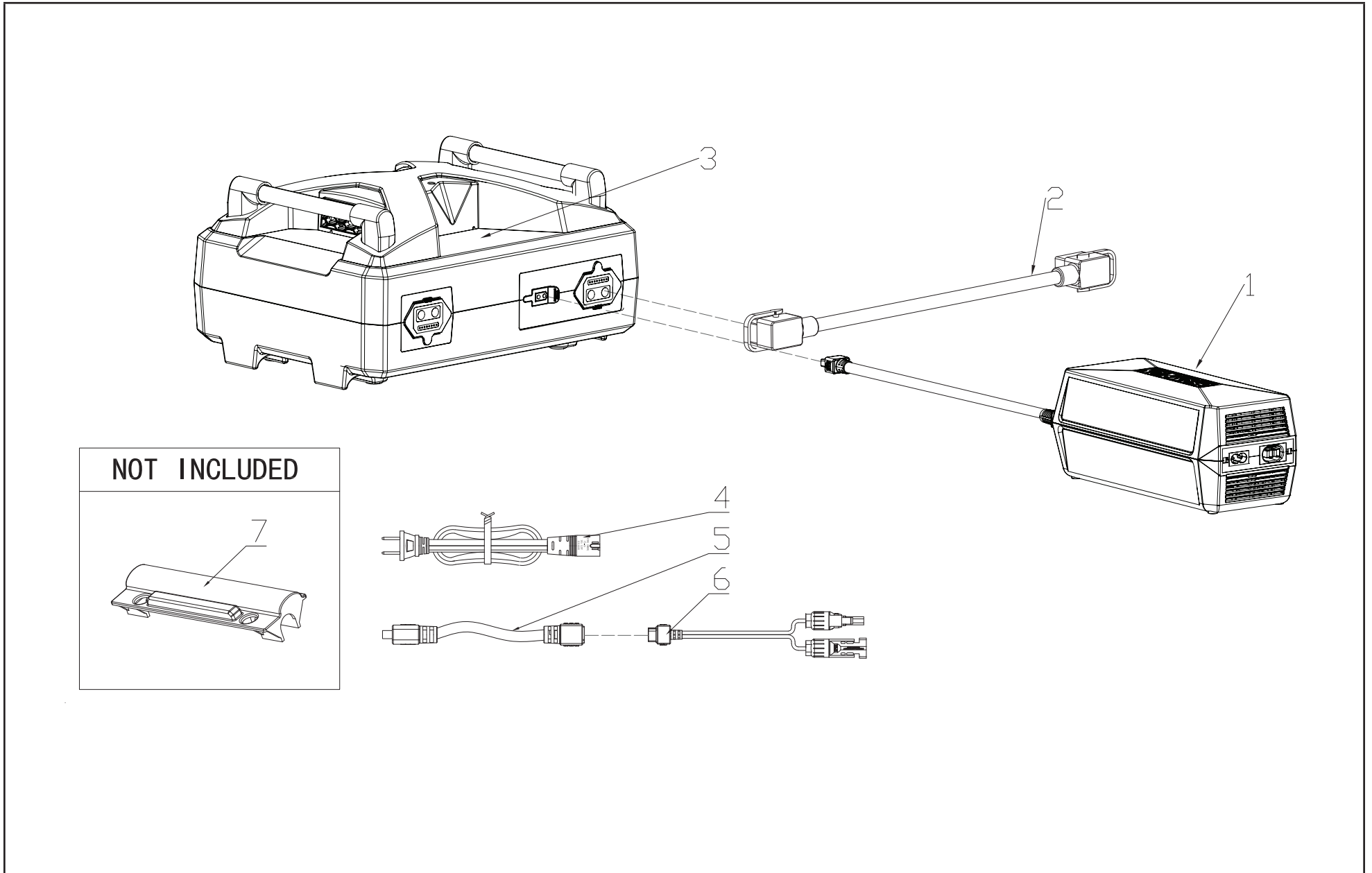


To order replacement parts please visit:
shop.championpowerequipment.com
or call **1-877-338-0999**.

TABLE OF CONTENTS

Expansion Battery Diagram	3
Expansion Battery Parts List	4

EXPANSION BATTERY DIAGRAM



EXPANSION BATTERY PARTS LIST

#	Part Number	Description	Qty.
1	DC050005	AC/DC Charger	1
2	SD020328	Accessory Cable, Battery Pack	1
3	C01000003	Battery Pack	1
4	SD20014	AC Charger Cable	1
5	SD20022	Solar Charger Harness A	1
6	SD20033	Solar Charger Harness B	3
7	SS11372	Stack adapter (Not Included)	/