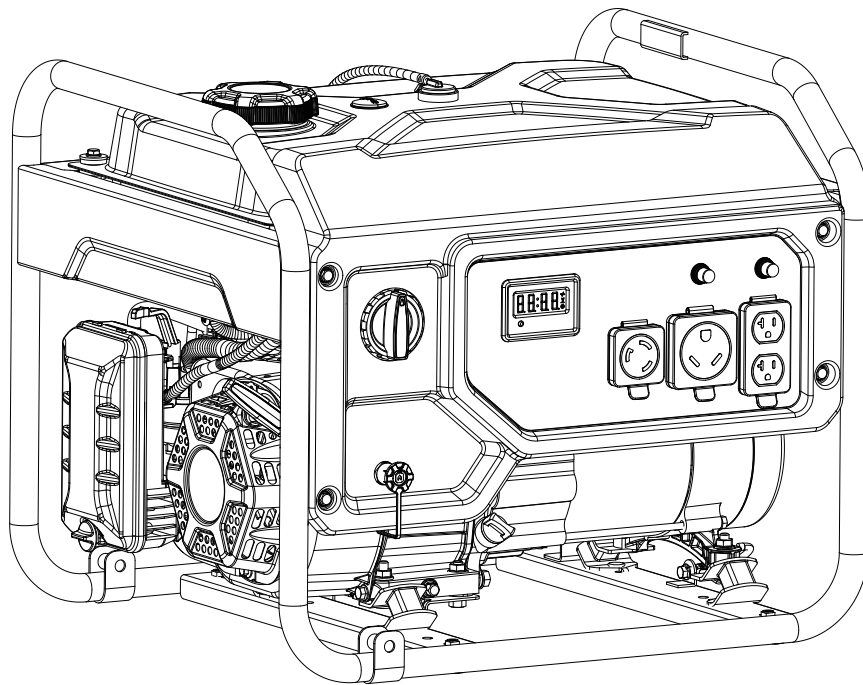


Champion Power Equipment, Inc., Santa Fe Springs, CA USA

MODEL #201213



PARTS INFORMATION

3500W DUAL FUEL PORTABLE GENERATOR

SERIAL NUMBER RANGE: ALL



To order replacement parts please visit:
shop.championpowerequipment.com
or call **1-877-338-0999**.

TABLE OF CONTENTS

Generator Parts Diagram	3
Generator Parts List	4
Engine Parts Diagram	5
Engine Parts List	6
Cylinder Head Parts Diagram	8
Cylinder Head Parts List	9
Carburetor Parts Diagram	10
Carburetor Parts List	11
Alternator Parts Diagram	12
Alternator Parts List	13
Fuel Tank Parts Diagram	14
Fuel Tank Parts List	15
Control Panel Parts Diagram	16
Control Panel Parts List	17
Frame Assembly Parts Diagram	18
Frame Assembly Parts List	19
Wiring Diagram	20

GENERATOR PARTS DIAGRAM

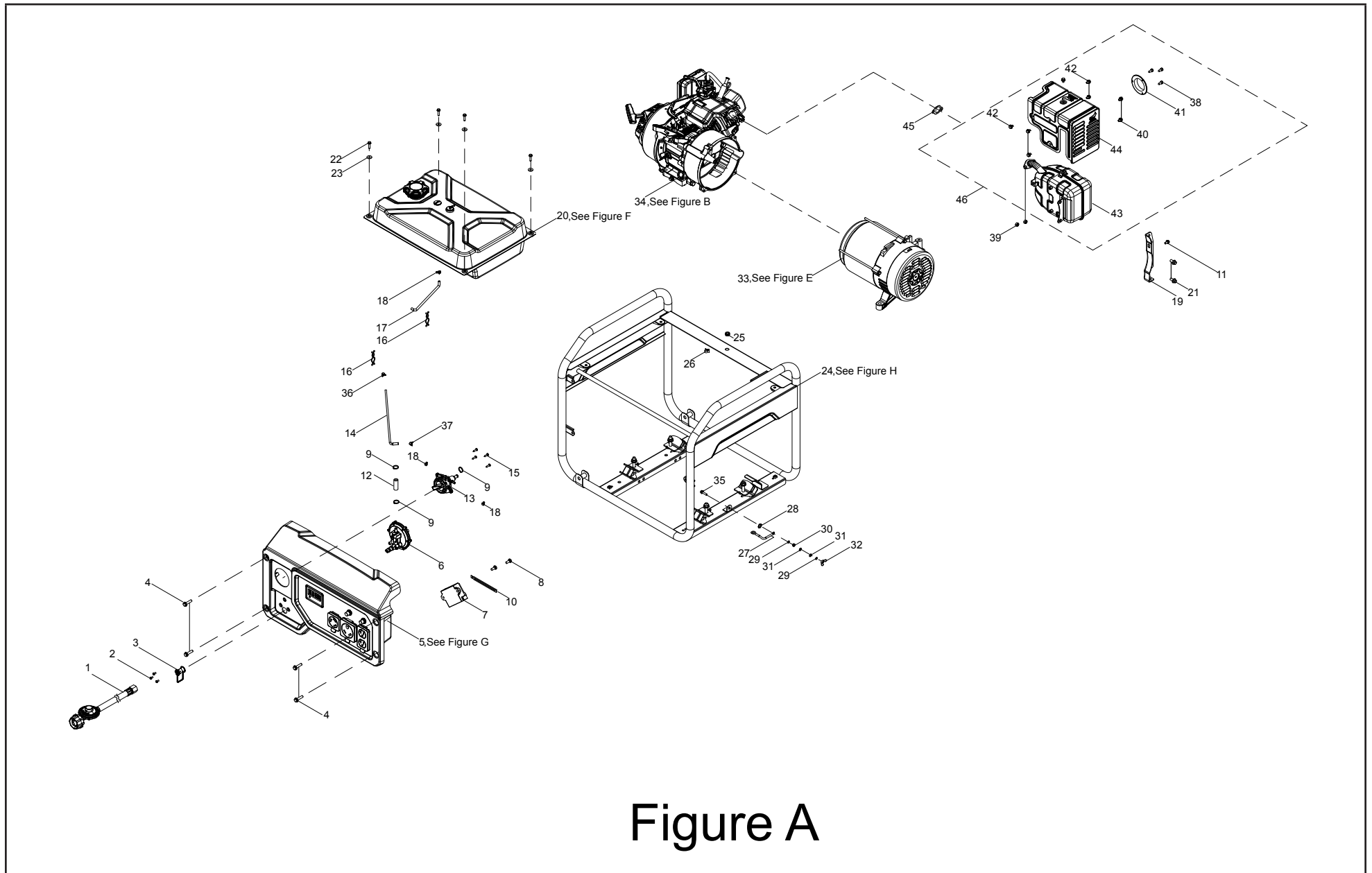


Figure A

GENERATOR PARTS LIST

#	Part Number	Description	Qty.
1	100719472-0001	LPG Hose With Regulator	1
2	100713896-0001	Screw M5 x 16	3
3	100163911	Rubber Cover, LPG Regulator	1
4	100011264-0002	Flange Bolt M6 x 16	4
5	100761550	Control Panel Assembly, See Figure G	1
6	100714097	LPG Regulator	1
7	5.1830.022	CO Shutdown Module	1
8	100010954-0002	Screw M5 x 12	2
9	100110283	Clamp Ø17	3
10	100062546	Wire Clip B	1
11	100011261-0004	Flange Bolt M6 x 12	1
12	100712236	Hose, LPG, Regulator to Fuel Valve	1
13	100752923	Fuel Valve Assembly	1
14	100720118-0001	Fuel Tube	1
15	100093250-0002	Self-tapping Screw ST4.8 x 20	4
16	100714686	Clamp 2	2
17	100747339	Fuel Tube, Ø4 x Ø10 x 270	1
18	100005138	Clamp Ø9.5 x 8	3
19	100751213-0001	Muffler Bracket	1
20	100735358	Fuel Tank Assembly, See Figure F	1
21	100011230-0002	Flange Bolt M8 x 16, GB5787	2
22	100011268-0002	Flange Bolt M6 x 25	4
23	100010439-0001	Washer Ø6.5 x 2 x Ø25	4
24	100767968	Frame Assembly, See Figure H	1
25	100009075	Rubber Damper	1
26	100000667	Clamp Ø8 x 8	1
27	100009983	Grounding Wire	1
28	100128826-0001	Lock Washer Ø6, Toothed	1
29	100010886-0004	Spring Washer Ø6	2
30	100011421-0003	Flange Nut M6, GB6170	1

#	Part Number	Description	Qty.
31	100010920-0002	Flat Washer Ø6	2
32	100010828-0002	Butterfly Type Nut M6	1
33	100767969	Alternator Assembly, See Figure E	1
34	1ZC7DC017	Engine, 224 cc	1
35	100011269-0003	Flange Bolt M6 x 28	1
36	100005148	Calmp 1, Ø8	1
37	100005159	Clamp Ø10.5 x 8	1
38	100147110-0002	Flange Bolt M4 x 8	3
39	100011422-0004	Flange Nut M8	2
40	100721012-0002	Flange Bolt M6 x 8, QC340	5
41	100724738	Spark Arrester Assembly	1
42	100097575-0002	Flange Bolt M6 x 10	3
43	100724996	Muffler	1
44	100724737	Muffler Guard	1
45	100757369	Gasket, Muffler	1
46	100716097-0001	Muffler Subassembly	1

ENGINE PARTS DIAGRAM

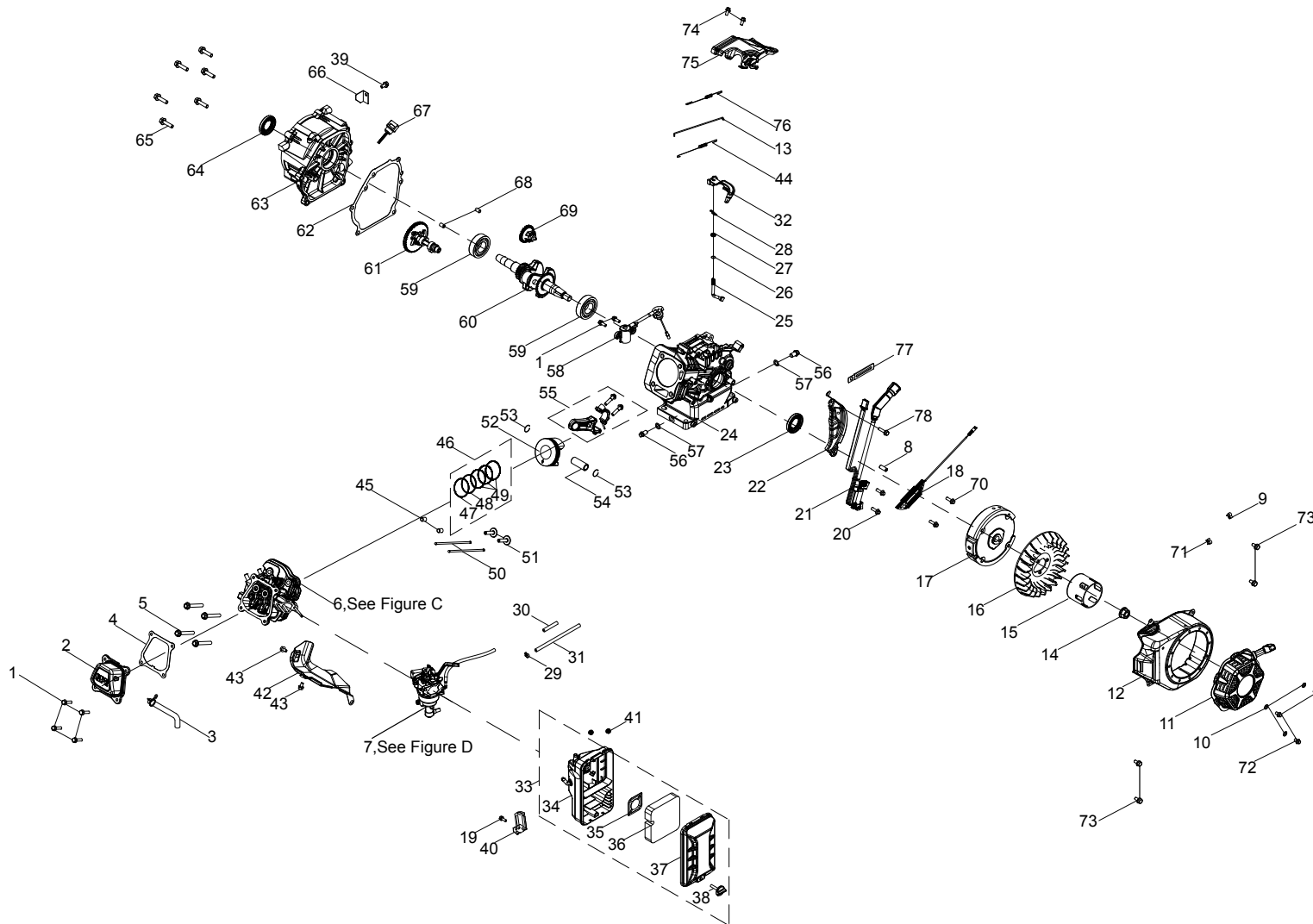


Figure B

ENGINE PARTS LIST

#	Part Number	Description	Qty.
1	100011264-0003	Flange Bolt M6 x 16, GB5789	6
2	100002335	Cylinder Head Cover(Cpe)	1
3	100719261	Breather Tube	1
4	100079562	Gasket, Cylinder Head Cover	1
5	100002464-0001	Flange Bolt M8 x 60	4
6	100724693	Cylinder Head Assembly - See Figure C	1
7	100748450	Carburetor Assembly - See Figure D	1
8	100004217	Bush Ø8 x Ø12 x 8	1
9	100000671	Clip Ø13	1
10	100010894-0002	Washer Ø6	3
11	100156547-0001	Recoil Starter, Black	1
12	100086735-0014	Fan Cover, Yellow	1
13	100007947	Rod, Governor	1
14	100011459-0003	Flange Nut M14 x 1.5	1
15	100007550	Pulley, Starter	1
16	100007028	Fan, Engine Cooling	1
17	100030060	Flywheel	1
18	100752616	Ignition Coil	1
19	100011570-0001	Flange Bolt M6 x 12	1
20	100011268-0003	Flange Bolt M6 x 25	2
21	100753437	Ignition Module	1
22	100150077	Lower Guard	1
23	100017644	Oil Seal Ø25 x Ø41.25 x 6	1
24	100140972	Crankcase	1
25	100007975	Governor Shaft	1
26	100010113	Sealing Ring, Ø5.2 x 1.9	1
27	100017630	Oil Seal Ø6 x Ø11 x 4	1
28	100007986	Cotter, Governor Shaft	1
29	100159468-0001	Clamp, Fuel Hose	1
30	100713891	Sleeve, Fuel Hose, Ø20 x 150	1

#	Part Number	Description	Qty.
31	100724125	Tube, Fuel, Ø9 x Ø17 x 320	1
32	100008417	Arm, Governor	1
33	100720109	Air Filter Assembly	1
34	100727318	Air Filter Base	1
35	100005078	Air Filter Baffle	1
36	100004771	Air Filter Element	1
37	100087055	Air Filter Cover	1
38	100004949	Air Filter Bolt	1
39	100011261-0004	Flange Bolt M6 x 12	1
40	100021030	Bracket, Air Cleaner Support	1
41	100011463-0002	Flange Nut M6	2
42	100007083	Air Guide, Lower	1
43	100011260-0005	Flange Bolt M6 x 10, GB5789	2
44	100007920	Spring, Throttle Return	1
45	100010558	Dowel Pin Ø10 x 16	2
46	100003243	Piston Ring Set	1
47	100072134	1st Piston Ring	1
48	100072135	2nd Piston Ring	1
49	100072136	Oil Ring	1
50	100149269	Push Rod	2
51	100149234	Lifter, Valve	2
52	100003086	Piston	1
53	100003221	Circlip	2
54	100003123	Wrist Pin	1
55	100003446	Connecting Rod	1
56	100010272	Drain Bolt, M10 x 1.25 x 15	2
57	100010459	Washer Ø10 x 1.5 x Ø16	2
58	100161669	Oil Level Sensor	1
59	100010761	Bearing, TM6205	2
60	100085214	Crankshaft	1

#	Part Number	Description	Qty.
61	100099599	Camshaft	1
62	100075572	Gasket, Crankcase Cover	1
63	100002961	Cover, Crankcase	1
64	100017651	Oil Seal Ø25 x Ø41.25 x 6, Spiral Grain	1
65	100011319-0001	Flange Bolt M8 x 32	6
66	100020165	Support, End Cover	1
67	100004105-0006	Oil Dipstick Assembly	1
68	100010550	Dowel Pin Ø8 x 14	2
69	100008298	Gear, Governor	1
70	100011269-0003	Flange Bolt M6 x 28	2
71	100052808	Clamp	1
72	100011528-0002	Flange Bolt M6 x 10	3
73	100011262-0003	Flange Bolt M6 x 14, GB5789	4
74	100011215-0001	Flange Bolt M6 x 12	2
75	100086510	Air Guide, Engine Fan	1
76	100007840	Spring, Governor	1
77	100000656	Wire Clip C	1
78	100011266-0004	Flange Bolt M6 x 20	1

CYLINDER HEAD PARTS DIAGRAM

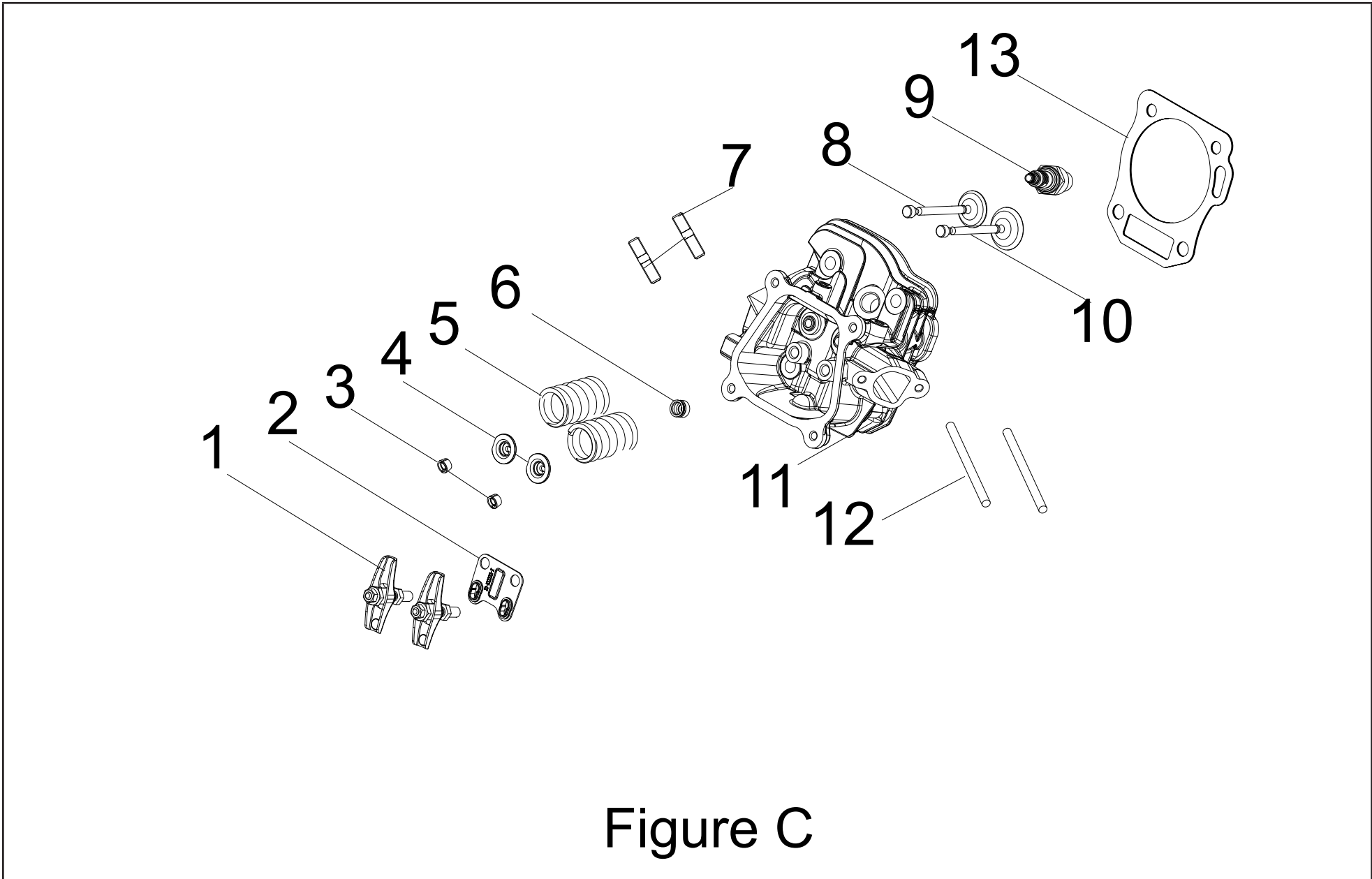


Figure C

CYLINDER HEAD PARTS LIST

#	Part Number	Description	Qty.
1	100149239	Rocker Arm Assembly	2
2	100050881	Guide Plate, Push Rod	1
3	100050896	Valve Collet	4
4	100073758	Valve Spring Seat, Upper	2
5	100713979	Spring Valve	2
6	100004599	Oil Seal, Intake Valve	1
7	100010389	Stud Bolt M8 x 35	2
8	100713981	Exhaust Valve	1
9	100009378	Spark Plug F6RTC	1
10	100713980	Intake Valve	1
11	100716398	Cylinder Head	1
12	100010354	Stud Bolt M6 x 96	2
13	100155656	Gasket, Cylinder Head	1

CARBURETOR PARTS DIAGRAM

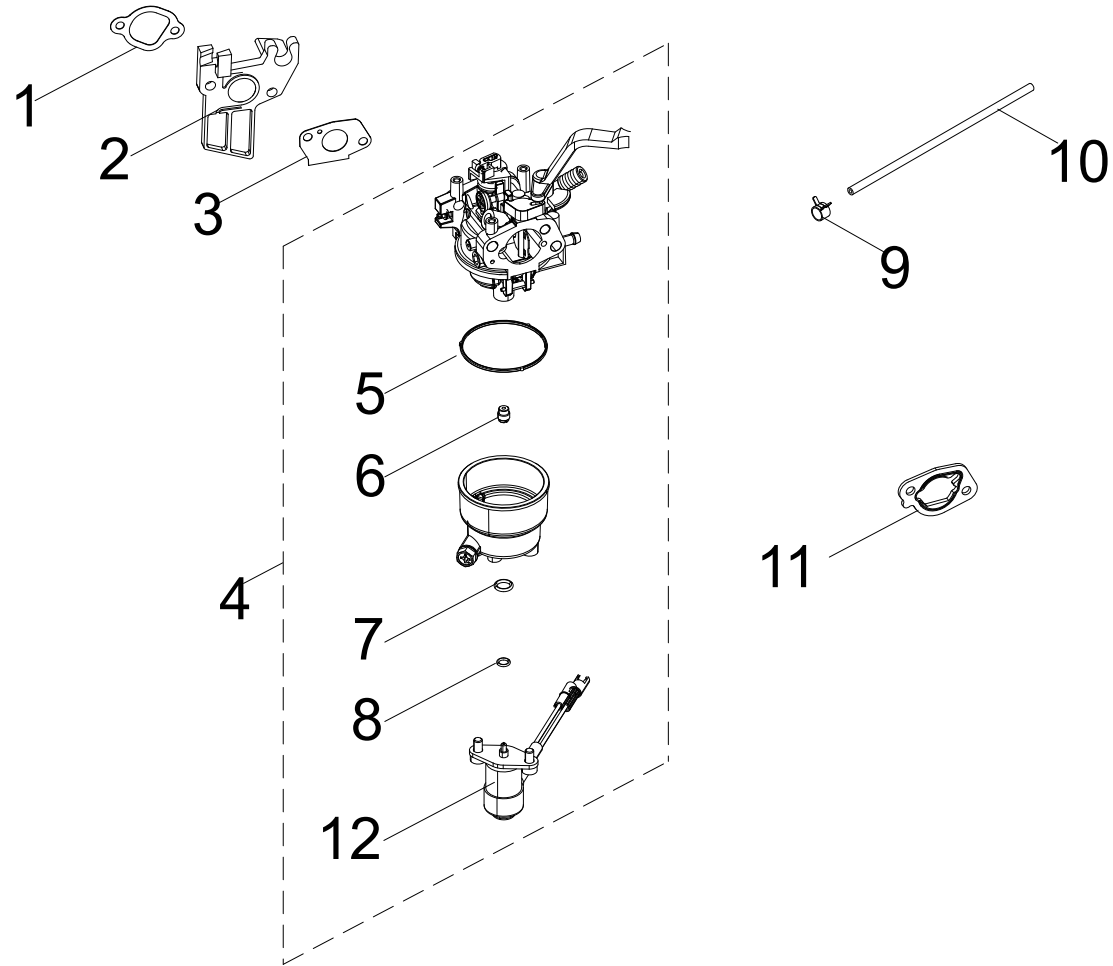


Figure D

CARBURETOR PARTS LIST

#	Part Number	Description	Qty.
1	100078607	Gasket, Insulator	1
2	100005599	Insulator, Carburetor	1
3	100078606	Gasket 1, Carburetor	1
4	100718260-0001	Carburetor	1
5	100005717	Fuel Bowl O-Ring	1
6	100005767	Main Jet Standard	1
	100005754	Main Jet Altitude 1000-3000m	/
7	100130186	O-Ring, Solenoid Valve Base	1
8	100130185	O-Ring, Solenoid Valve	1
9	100005138	Clamp Ø 9.5 x 8	1
10	100747341	Fuel Tube, Ø4 x Ø10 x 400	1
11	100005629	Gasket 2, Carburetor	1
12	100718072	Solenoid Valve	1

ALTERNATOR PARTS DIAGRAM

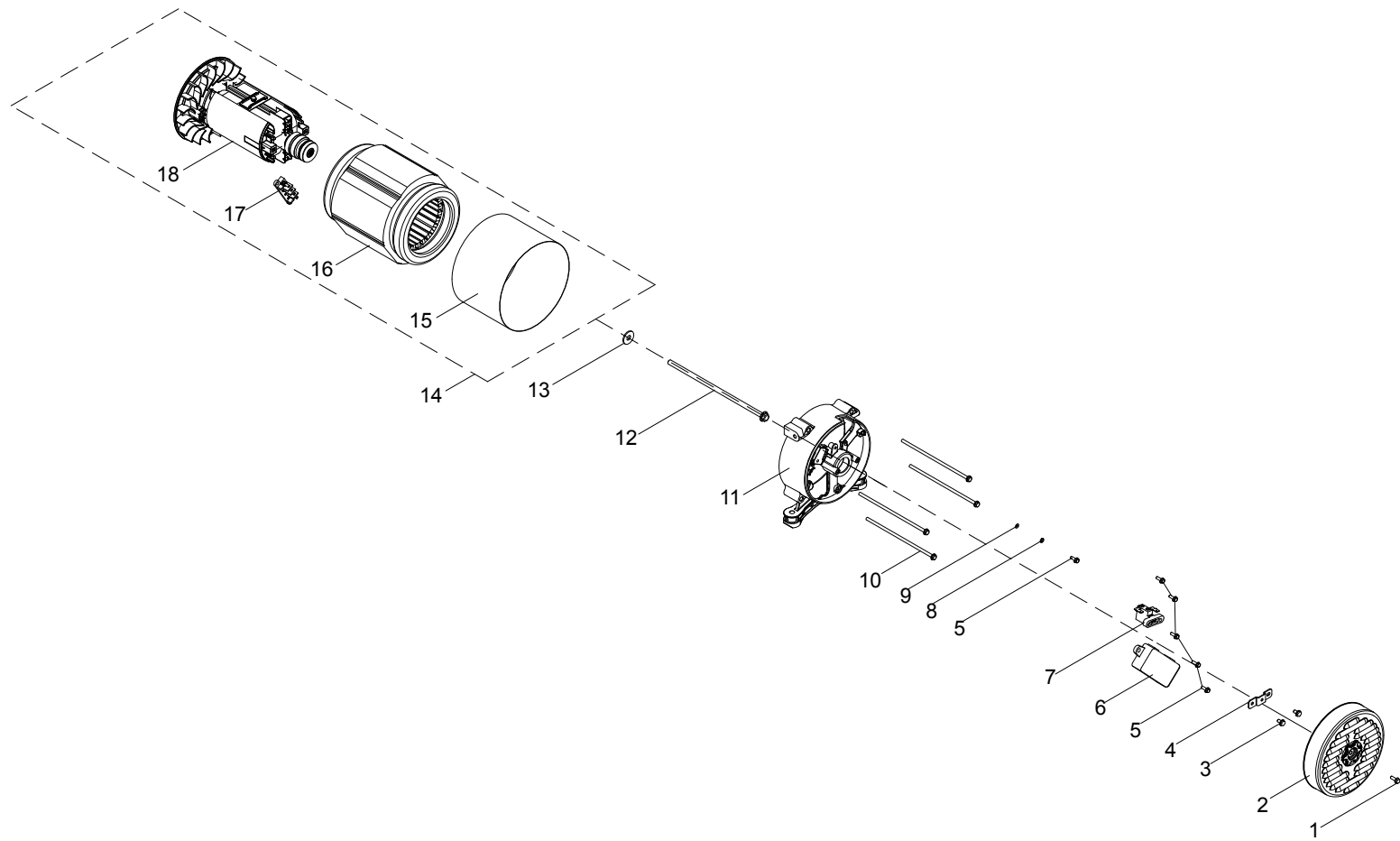


Figure E

ALTERNATOR PARTS LIST

#	Part Number	Description	Qty.
1	100011527-0004	Flange Bolt M6 x 8	1
2	100717500-0001	Generator End Cover, Yellow	1
3	100011250-0002	Flange Bolt M5 x 14	2
4	100722067	Support, End Cover	1
5	100011252-0001	Flange Bolt M5 x 18	6
6	100750028	AVR	1
7	100018592	Carbon Brush Assembly	1
8	100010885-0004	Spring Washer Ø5	1
9	100010919-0002	Flat Washer Ø5	1
10	100011299-0001	Flange Bolt M6 x 175	4
11	100018567	End Housing	1
12	100148753-0001	Flange Bolt M8 x 1 x 230	1
13	100010899-0002	Washer Ø8	1
14	100761562	Alternator Assembly, AI	1
15	100095943	Stator Cover	1
16	100765774	Stator Assembly	1
17	100018701	Terminal Block	1
18	100765775	Rotor Assembly	1

FUEL TANK PARTS DIAGRAM

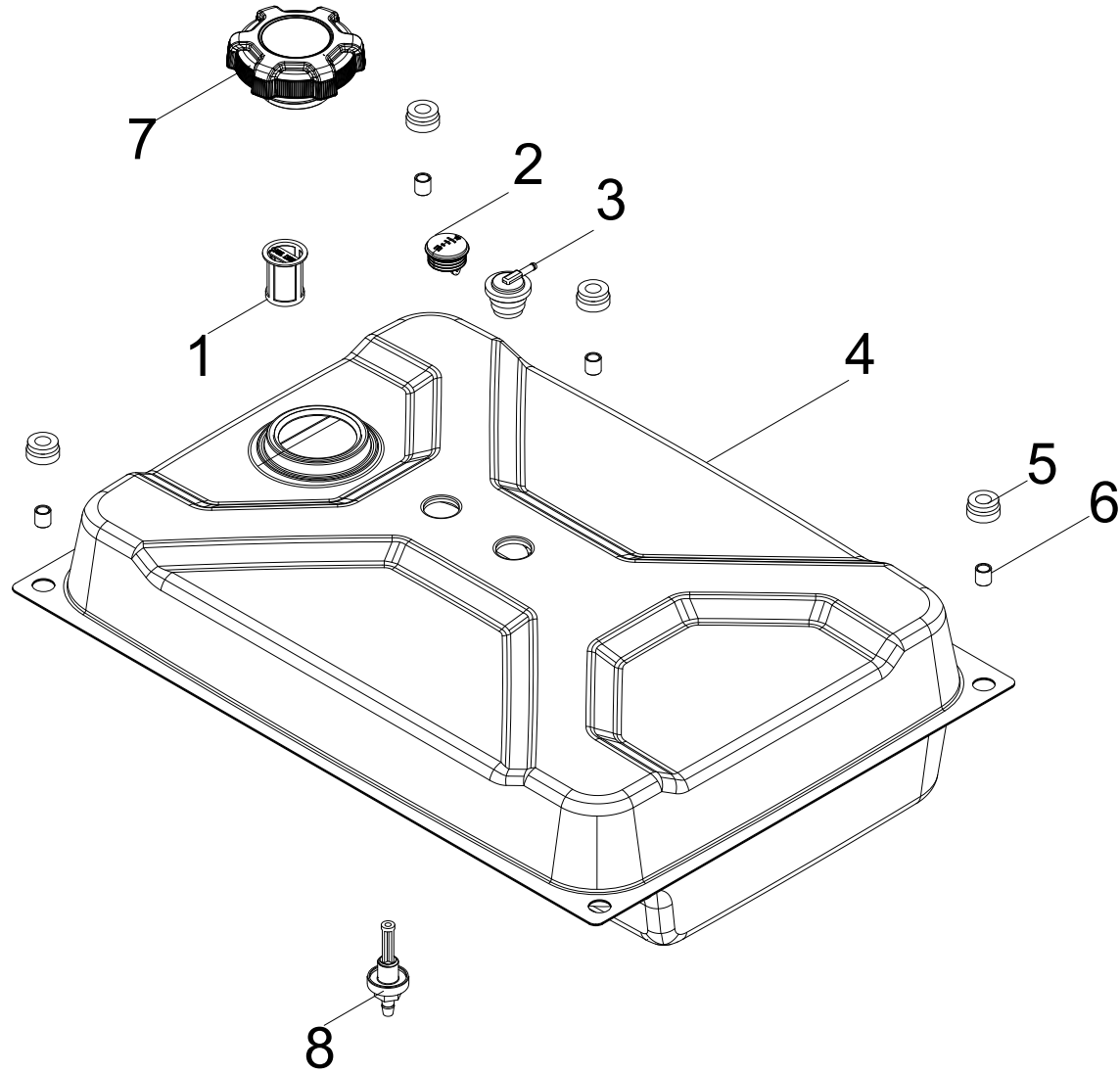


Figure F

FUEL TANK PARTS LIST

#	Part Number	Description	Qty.
1	100098838	Fuel Filter Assembly	1
2	100726883	Fuel Gauge	1
3	100720340	Reversal Valve	1
4	100724734-0001	Fuel Tank, 17.7 L, Yellow	1
5	100032369	Vibration Mounting, Fuel Tank	4
6	100021118	Bushing, Ø12 x Ø9 x 13	4
7	100142004	Fuel Tank Cap	1
8	100714546	Fuel Tank Nipple	1

CONTROL PANEL PARTS DIAGRAM

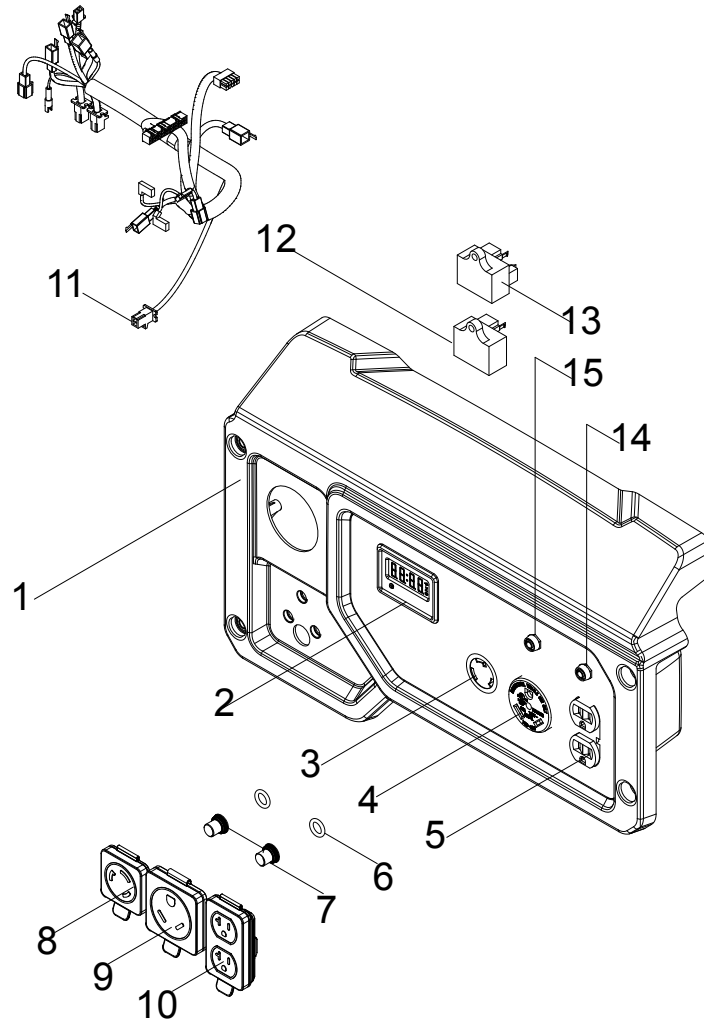


Figure G

CONTROL PANEL PARTS LIST

#	Part Number	Description	Qty.
1	100724732-0002	Control Panel Housing	1
2	100727009	Intelligauge	1
3	100020012	Receptacle L5-30R	1
4	100020008	Receptacle TT-30R	1
5	100020029	Receptacle 5-20R, Duplex	1
6	100031552	O-Ring	2
7	100120180	Breaker Cover	2
8	100731573	Receptacle Cover, L5-30R	1
9	100731572	Receptacle Cover, TT-30R	1
10	100731575	Receptacle Cover, 5-20R, Duplex	1
11	100765778	Wire Harness Assembly	1
12	100721216	Controller Moudle, Solenoid Valve	1
13	100728387	OVF Moudle	1
14	100019754	20Amp Circuit Breaker, Push Button	1
15	100019751	30Amp Circuit Breaker, Push Button	1

FRAME ASSEMBLY PARTS DIAGRAM

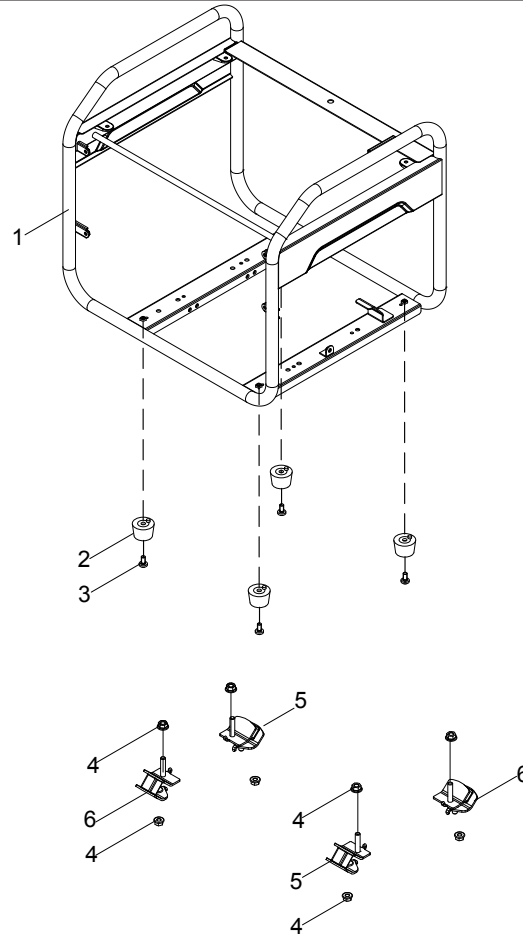


Figure H

FRAME ASSEMBLY PARTS LIST

#	Part Number	Description	Qty.
1	100761859-0001	Frame	1
2	100749208	Damping Support	4
3	100010965-0001	Screw M6 x 16	4
4	100011453-0003	Lock Nut M8, Flange	8
5	100020986-0001	Vibration Mount 2	2
6	100021000-0001	Vibration Mount 1	2

WIRING DIAGRAM

