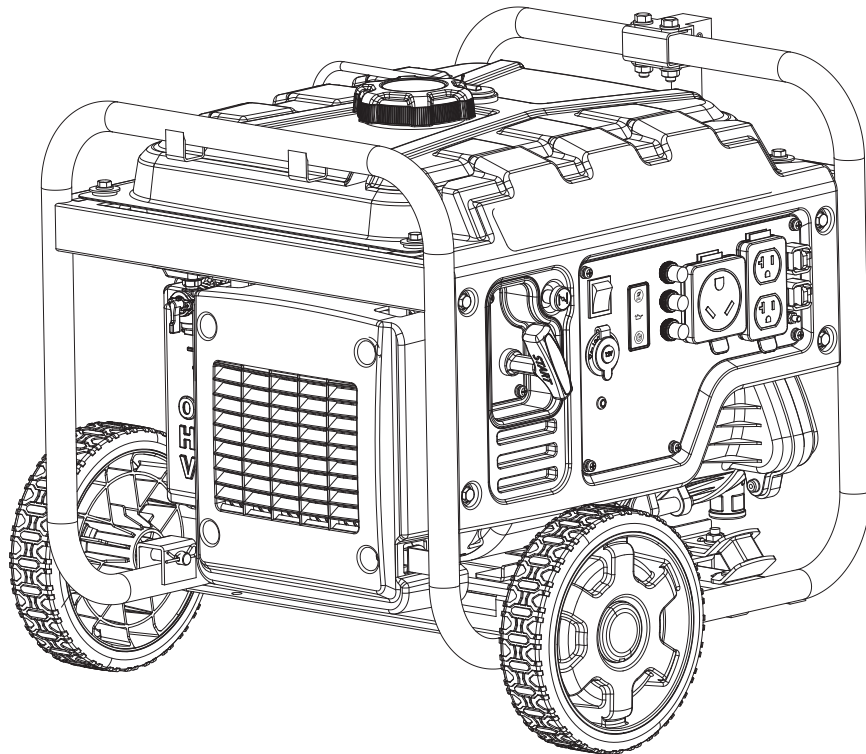




Champion Power Equipment, Inc.

MODEL #201226



PARTS INFORMATION

4250W OPEN FRAME INVERTER

SERIAL NUMBER RANGE: ALL



To order replacement parts please visit:
shop.championpowerequipment.com
or call **1-877-338-0999**.

TABLE OF CONTENTS

Inverter Generator Parts Diagram	3
Inverter Generator Parts List	4
Engine Parts Diagram	5
Engine Parts List	6
Cylinder Head Parts Diagram	8
Cylinder Head Parts List	9
Carburetor Parts Diagram	10
Carburetor Parts List	11
Alternator Parts Diagram	12
Alternator Parts List	13
Fuel Tank Parts Diagram	14
Fuel Tank Parts List	15
Control Panel Parts Diagram	16
Control Panel Parts List	17
Frame Assembly Parts Diagram	18
Frame Assembly Parts List	19
Wiring Diagram	20

INVERTER GENERATOR PARTS DIAGRAM

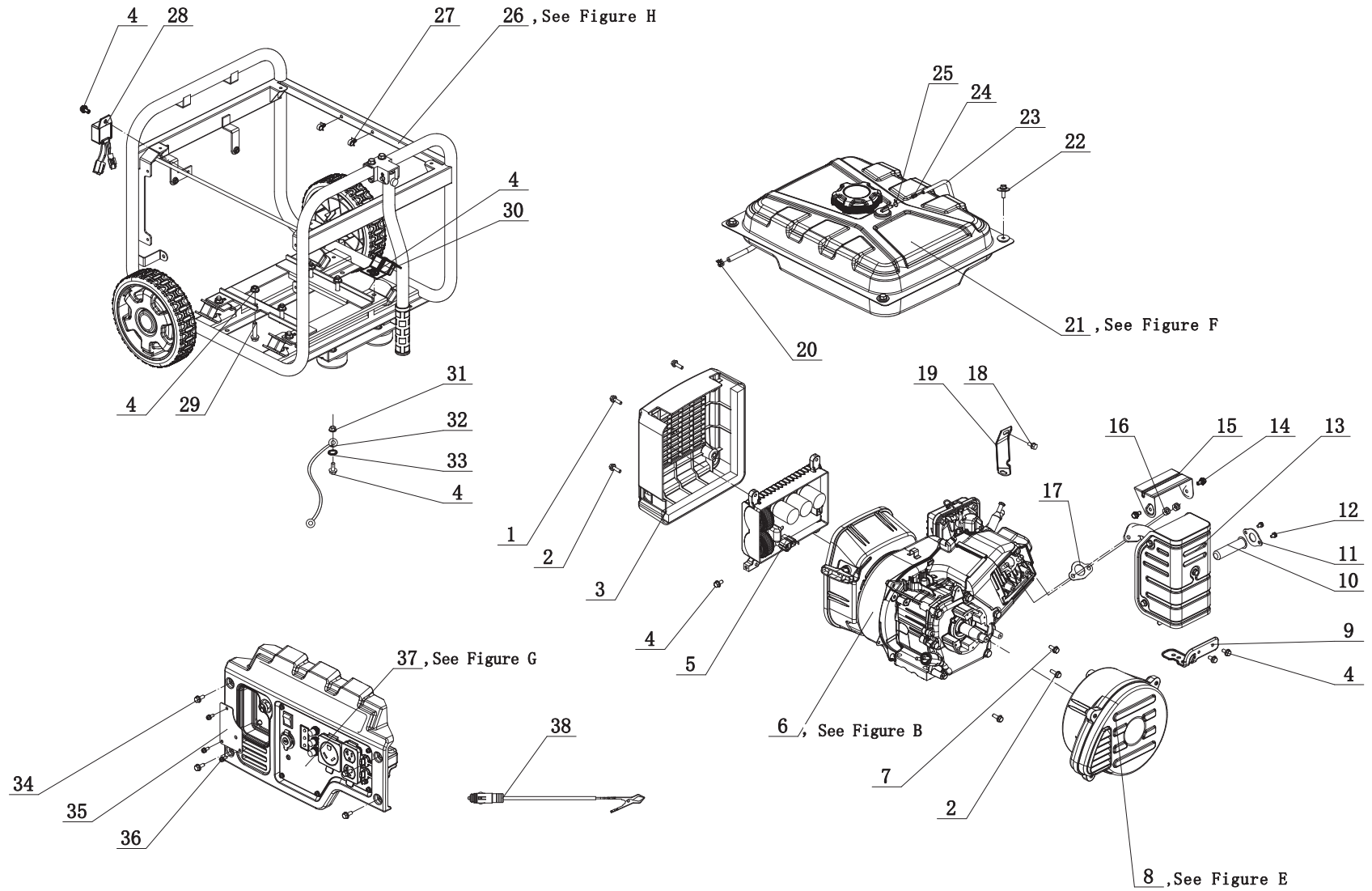


Figure A

INVERTER GENERATOR PARTS LIST

#	Part Number	Description	Qty.
1	1.5789.0625	Flange Bolt M6 x 25	2
2	1.5789.0620	Flange Bolt M6 x 20	4
3	85.220005.01	Protection Cover, Control Unit	1
4	1.5789.0612	Flange Bolt M6 x 12	5
5	85.221000.09	Control Unit, 3.3KW, 120V/60Hz, Wireless Parallel	1
6	85.403	Engine, 224cc	1
7	1.5789.0615	Flange Bolt M6 x 15	1
8	85.190000.15	Motor combination, See Figure E	1
9	85.100100.01.2	Bracket, Muffler	1
10	46.101300.08	Spark Arrester Assembly	1
11	46.101503.08	Plate, Spark Arrester	1
12	1.9074.4.0514	Screw/Washer Assembly M5 x 14	2
13	85.101000.01.2	Muffler Assembly	1
14	1.9704.17.0610	Bolt/Washer Assembly M6 x 10	2
15	85.101203.01.2	Cover, Exhaust Pipe	1
16	1.6177.1.08	Lock Nut M8, Flange	7
17	26.100001.00	Gasket, Muffler	1
18	1.5789.0608	Flange Bolt M6 x 8	1
19	23.090006.21	Holder, Air Cleaner	1
20	2.06.007	Clamp, Ø8.2 x b6	1
21	85.070000.03.48	Fuel Tank, 11.00L, Yellow, See Figure F	1
22	2.08.143.1	Flange Bolt/Washer Assembly M6 x 20	4
23	85.070014.02	Pipe, Reversal Valve, 540mm	1
24	24.070030.00	Hole, Breather Tube	1
25	2.06.006	Clamp, Ø7 x Ø1	1
26	61143.201226	Frame, Wheel Kit, See Figure H	1
27	2.05.001	Clamp, Ø8 x 6.5	2
28	5.1800.011	Rectifier	1
29	1.5789.0832	Flange Bolt M8 x 32	4

#	Part Number	Description	Qty.
30	85.100007.01	Insulation Board, Motor Mount	1
31	1.6177.1.06	Lock Nut M6, Flange	1
32	5.1900.156	Grounding Line 180mm	1
33	1.862.06	Lock Washer Ø6, Toothed	1
34	1.5789.0615.1	Flange Bolt M6 x 15, Black	4
35	85.061200.01.2	Guide Plate, Rope, Black	1
36	1.9074.4.0514.1	Screw/Washer Assembly M5 x 14, Black	3
37	201226.21	Control Panel Assembly, See Figure G	1
38	9.1600.009	Cables, 12V, 2m, CSA	1

ENGINE PARTS DIAGRAM

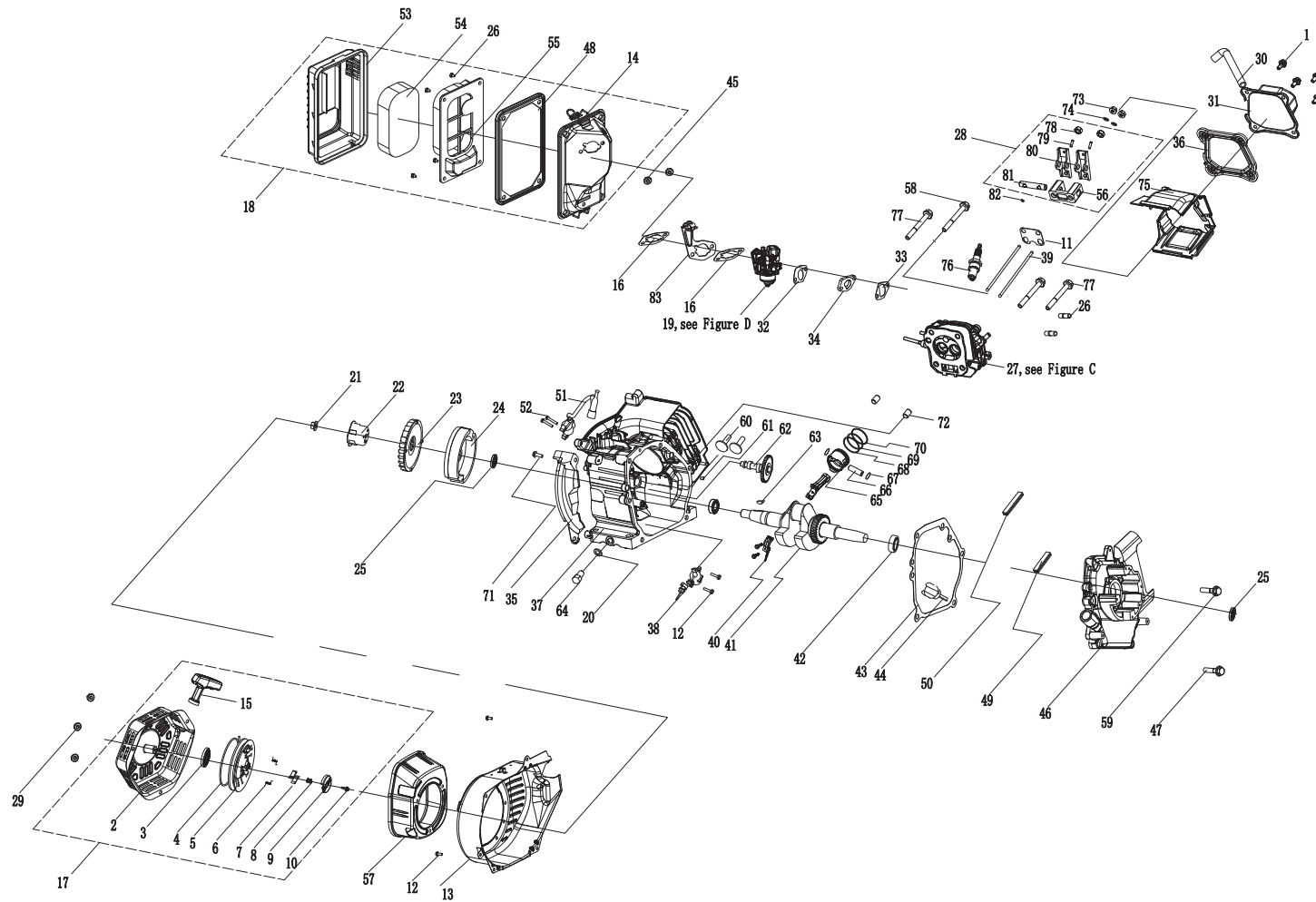


Figure B

ENGINE PARTS LIST

#	Part Number	Description	Qty.
1	1.5789.0615	Flange Bolt M6 x 15	4
2	85.061100.00.2	Cover, Recoil Starter, Black	1
3	21.061005.00	Spring, Recoil Starter	1
4	2.10.003.1	Rope Ø4 x 1550, Black	1
5	21.061001.01	Reel, Recoil Starter	1
6	45.060003.00	Spring, Ratchet	2
7	45.060002.00	Starter Ratchet, Steel	2
8	45.060009.00	Spring, Ratchet Guide	1
9	45.060007.00	Ratchet Guide	1
10	45.060008.00	Screw, Ratchet Guide	1
11	24.040004.00	Guide Plate, Push Rod	1
12	1.5789.0612	Flange Bolt M6 x 12	6
13	85.080100.01.48	Fan Cover, Yellow	1
14	85.091100.01	Base, Air Cleaner	1
15	21.061300.01.48	Handle, Recoil, Soft, Yellow	1
16	24.130004.20	Gasket, Air Cleaner	2
17	85.061000.02	Recoil Assembly	1
18	85.091000.01	Air Cleaner Assembly	1
19	85.130000.02	Carburetor, See Figure D	1
20	2.03.016	Washer Ø10 x Ø16 x 1.5, Drain Bolt	1
21	2.02.006	Nut M14 x 1.5	1
22	23.060001.01	Pulley, Starter	1
23	27.080001.00	Cooling Fan	1
24	24.120100.06	Flywheel	1
25	2.11.001	Oil Seal Ø25 x Ø41.3 x 6	2
26	2.08.166	Flange Bolt M5x12	4
27	27.010000.00	Cylinder Head Assembly, See Figure C	1
28	24.040200.00	Rocker Arm Assembly	1
29	1.6177.1.05	Lock Nut M5, Flange	3
30	23.020001.02	Breather Tube, 112 + 35 mm	1

#	Part Number	Description	Qty.
31	24.021000.00	Cover, Cylinder Head	1
32	22.130003.00	Gasket, Carburetor	1
33	24.130002.00	Gasket, Insulator	1
34	27.130001.00	Insulator, Carburetor	1
35	23.080600.00	Air Guide, Right Side	1
36	21.020002.01	Gasket, Cylinder Head Cover	1
37	85.030100.01.1	Crankcase	1
38	21.127000.02	Oil Level Sensor	1
39	27.040005.00	Push Rod	2
40	27.050200.00	Connecting Rod	1
41	85.050100.01	Crankshaft	1
42	1.276.6205	Bearing 6205	2
43	24.030008.00	Gasket, Crankcase Cover	1
44	46.031000.00.48	Oil Dipstick Assembly, Yellow	1
45	1.6177.06	Flange Nut M6	2
46	85.030007.01	Cover, Crankcase	1
47	1.5789.0832	Flange Bolt M8 x 32	5
48	23.091002.21	Seal, Air Cleaner	1
49	27.030013.01	Seal Strip, Crankcase Cover, Short	1
50	27.030013.00	Seal Strip, Crankcase Cover, Long	1
51	22.123000.05	Ignition Coil	1
52	1.5789.0625	Flange Bolt M6 x 25	2
53	27.091200.01	Cover, Air Cleaner	1
54	23.091003.21	Element, Air Cleaner	1
55	23.091001.21	Separator, Air Cleaner	1
56	24.040201.00	Retainer, Rocker Arm	1
57	85.220005.02	Protective Cover, Control Unit, Engine	1
58	2.08.121	Flange Bolt M10 x 65	1
59	1.5789.0840	Flange Bolt M8 x 40	1
60	25.040013.00	Lifter, Valve	2

#	Part Number	Description	Qty.
61	2.04.001	Dowel Pin Ø9 x 14	2
62	27.041000.00	Camshaft	1
63	2.14.012	Woodruff Key 4 x 7.5 x 19	1
64	2.08.037	Drain Bolt M10 x 1.25 x 25	1
65	27.050005.00.1	Piston	1
66	23.050003.00	Pin, Piston	1
67	2.09.001	Circlip Ø18 x Ø1	2
68	27.050303.00	Ring, Oil	1
69	27.050302.00	Ring, Second Piston	1
70	27.050301.00	Ring, First Piston	1
71	1.5789.0620	Flange Bolt M6 x 20	1
72	2.04.003	Dowel Pin Ø10 x 14	2
73	1.6177.1.06	Lock Nut M6, Flange	2
74	1.97.1.06	Washer Ø6	2
75	85.080200.01	Air Shroud, Cylinder	1
76	2.15.002	Spark Plug F6RTC	1
77	1.5789.0865	Flange Bolt M8 x 65	3
78	21.040021.00	Nut M6 x 0.5, Lock	2
79	22.040012.00	Screw, Valve Adjustment	2
80	22.040009.00	Rocker Arm	2
81	24.040202.00	Shaft, Rocker Arm	1
82	21.040008.00	Rotator, Exhaust Valve	1
83	85.130200.01	Support, Choker Rod	1

CYLINDER HEAD PARTS DIAGRAM

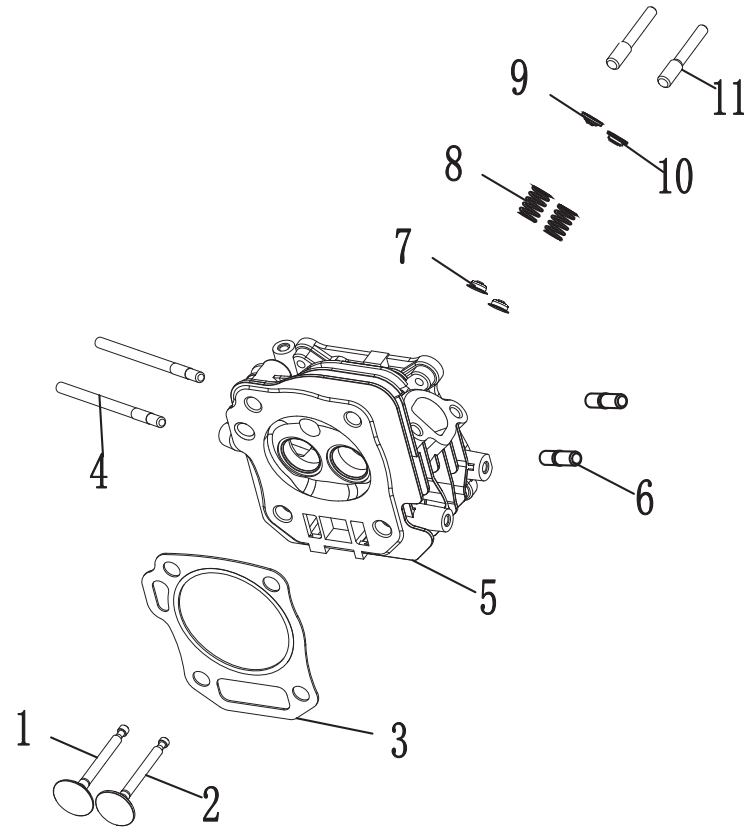


Figure C

CYLINDER HEAD PARTS LIST

#	Part Number	Description	Qty.
1	23.040002.02	Valve, Intake	1
2	23.040006.02	Valve, Exhaust	1
3	27.030009.01	Gasket, Cylinder Head	1
4	2.01.003	Stud Bolt M6 x 90	2
5	26.010100.01	Cylinder Head, 224cc	1
6	2.01.010	Stud Bolt M8 x 35	2
7	23.040017.00	Oil Seal, Valve, Steel	2
8	21.040003.00	Spring, Valve	2
9	23.040002.02	Valve, Intake	1
10	23.040006.02	Valve, Exhaust	1
11	23.040010.00	Bolt, Rocker Arm	2

CARBURETOR PARTS DIAGRAM

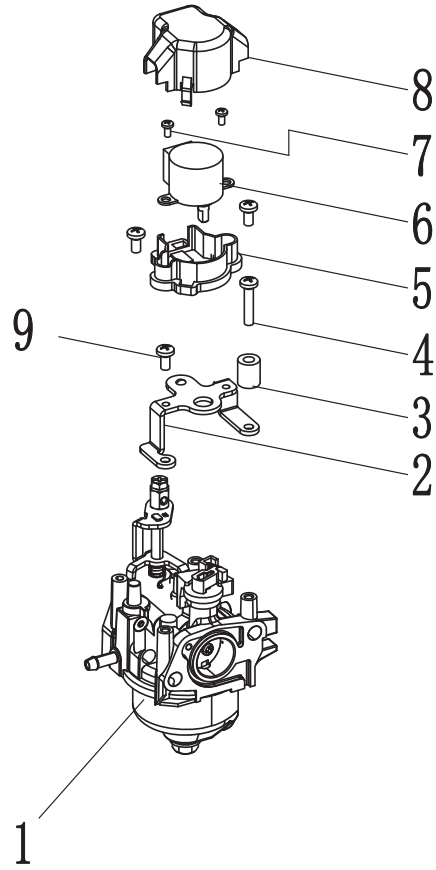


Figure D

CARBURETOR PARTS LIST

#	Part Number	Description	Qty.
1	85.131000.02	Carburetor	1
2	85.130005.04	Support, Stepper Motor	1
3	2.13.034	Bush Ø5 x Ø10 x 12	1
4	1.9074.4.0420.1	Screw M4 x 20	1
5	85.132100.04	Support, Stepper Motor	1
6	85.132200.01	Stepper Motor	1
7	1.823.0306.1	Screw M3 x 6	2
8	81.132001.00	Cover, Stepper Motor	1
9	1.9074.3.0408	Screw M4 x 8	3

ALTERNATOR PARTS DIAGRAM

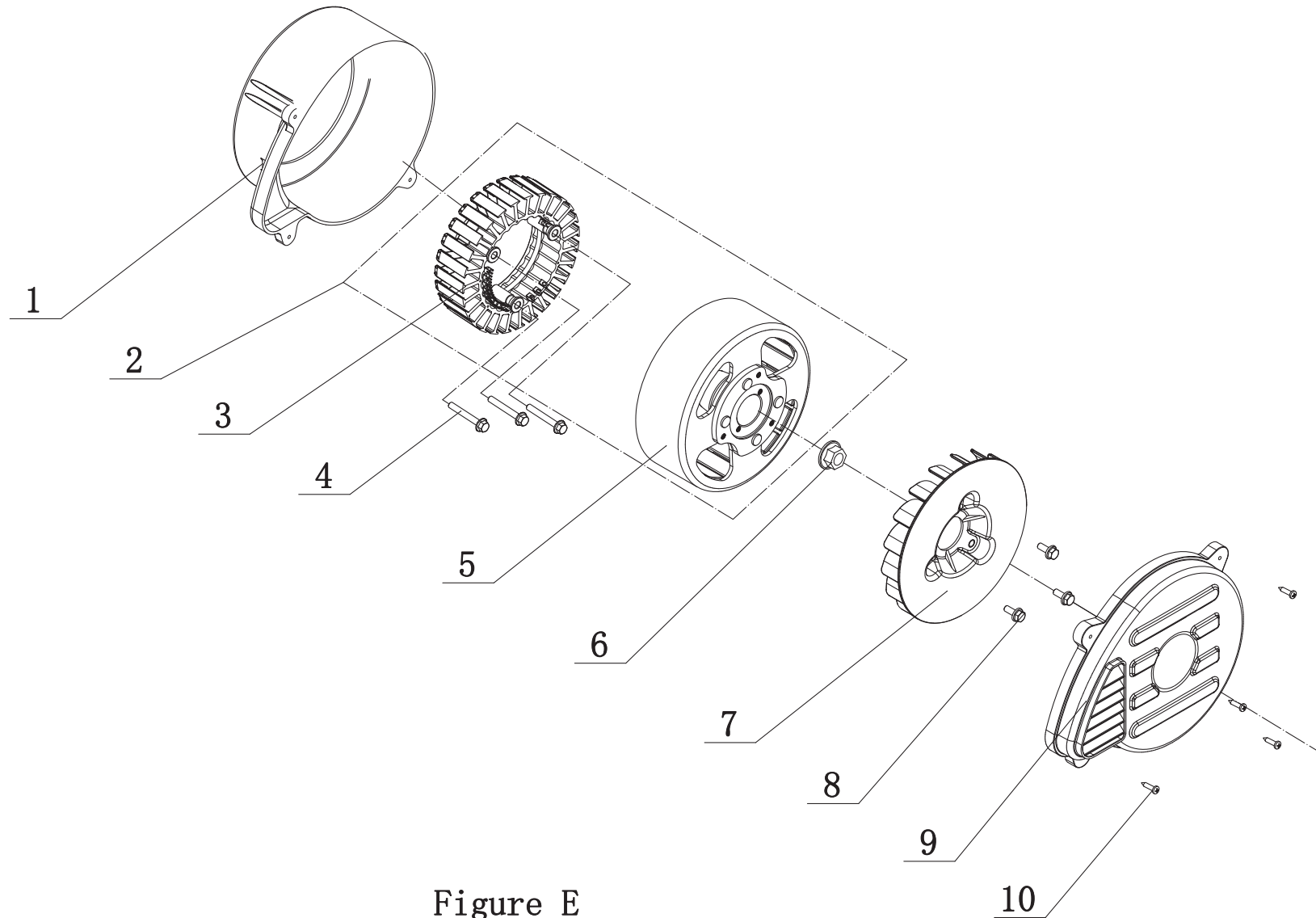


Figure E

ALTERNATOR PARTS LIST

#	Part Number	Description	Qty.
1	85.190002.01	End Housing, Motor	1
2	85.191000.15	Motor Assembly	1
3	85.191200.15	Stator Assembly	1
4	1.9074.14.0650	Bolt/Washer Assembly M6 x50	3
5	85.191100.03	Rotor Assembly	1
6	2.02.006	Nut M14 x 1.5	1
7	83.190001.01	Fan, Generator	1
8	1.5789.0615	Flange Bolt M6 x 15	3
9	85.190003.01	End Cover, Generator	1
10	1.845.4219	Screw ST4.2 x 19	4

FUEL TANK PARTS DIAGRAM

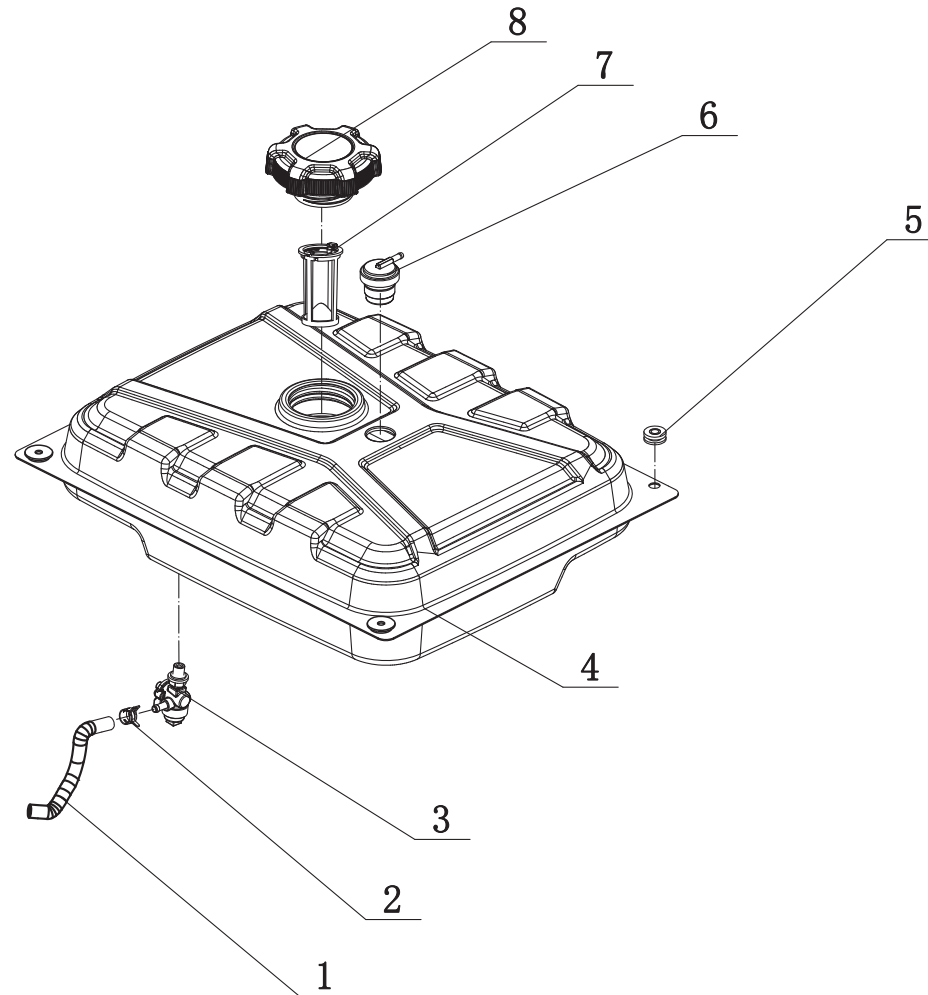


Figure F

FUEL TANK PARTS LIST

#	Part Number	Description	Qty.
1	85.070011.01	Pipe, Fuel, 140mm	1
2	2.06.007	Clamp, Ø8.2 x b6	2
3	85.070400.01	Fuel Valve	1
4	85.071000.02.48	Fuel Tank, 11.00L, Yellow	1
5	122.070015.01	Mount Vibration, Fuel Tank	4
6	152.070800.00	Reversal Valve	1
7	122.070300.03	Fuel Filter	1
8	122.070100.09	Fuel Tank Cap	1

CONTROL PANEL PARTS DIAGRAM

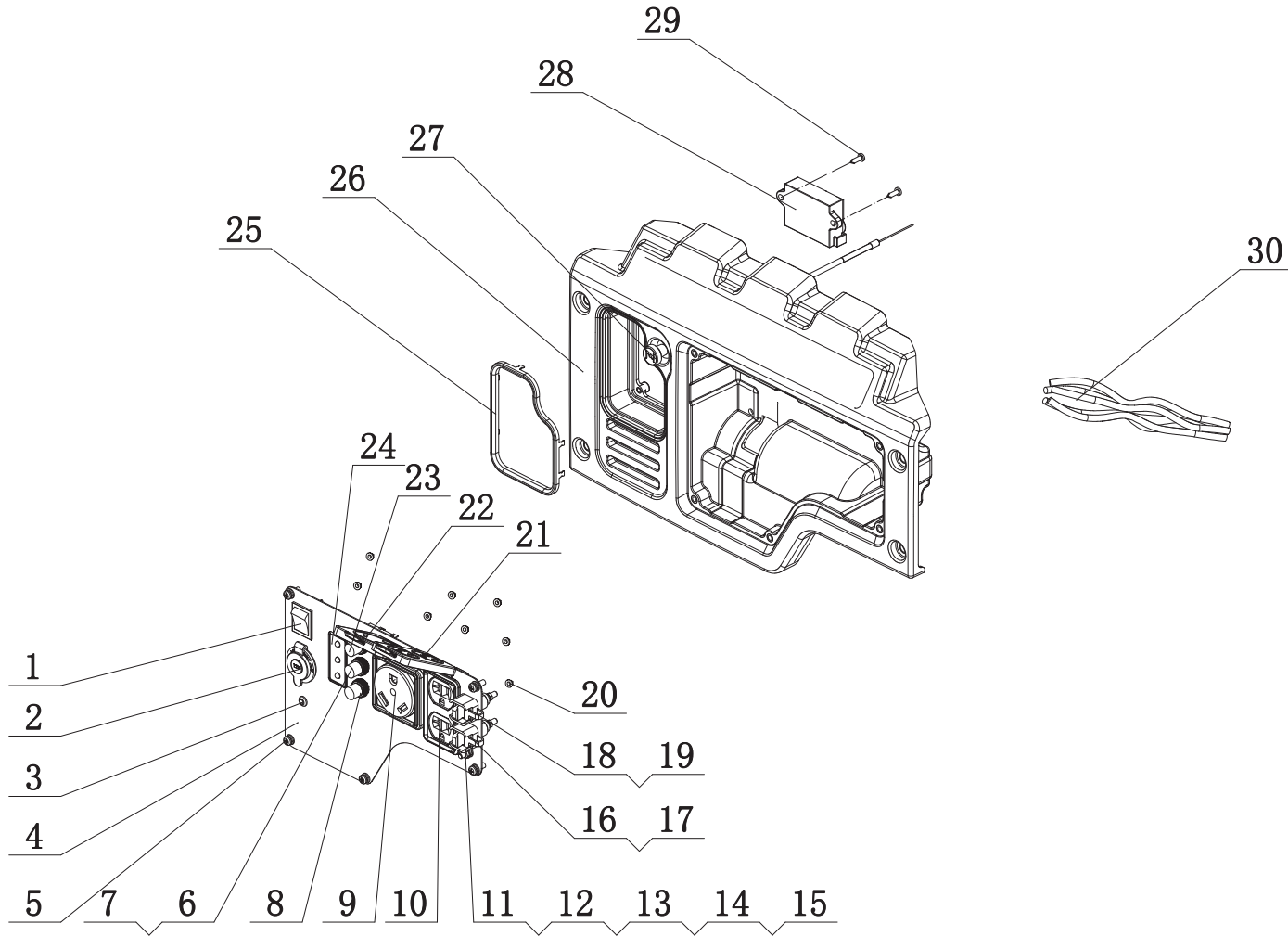


Figure G

CONTROL PANEL PARTS LIST

#	Part Number	Description	Qty.
1	5.1000.004.1	Ignition Switch, Black	1
2	5.1110.005	Receptacle, DC 12V	1
3	5.1460.021	CO Warning Lamp	1
4	85.01.10.2	Control Panel, Black	1
5	1.9074.4.0512.1	Screw/Washer Assembly M5 x 12, Black	5
6	5.1870.014	Circuit Breaker Cover, Push Button	3
7	5.1210.920	20Amp Circuit Breaker, Push Button, CSA	1
8	5.1210.930	30Amp Circuit Breaker, Push Button, CSA	1
9	5.1120.034	Receptacle TT-30R	1
10	5.1120.027	Receptacle 5-20R Duplex, CSA	1
11	1.5783.0520.1	Bolt M5 x 20, Black	1
12	1.93.05.1	Lock Washer Ø5, Black	2
13	1.862.05	Lock Washer Ø5, Toothed	1
14	1.6170.05.1	Nut M5, Black	2
15	1.97.1.05.1	Washer Ø5, Black	2
16	83.210001.01.1	Connect Port, Black	1
17	5.1870.032	Cover, Connect Port, 125V/25A, Black	1
18	83.210001.01.3	Connect Port, Red	1
19	5.1870.032.3	Cover, Connect Port, 125V/25A, Red	1
20	1.6177.1.04.1	Lock Nut M4, Flange, Black	8
21	5.1870.025	Receptacle Cover, Receptacle 5-20R Duplex	1
22	5.1870.021	Receptacle Cover, Receptacle TT-30R	1
23	5.1200.908	8Amp Circuit Breaker, Push Button, CSA	1
24	83.210016.02	Speed Limiter	1
25	85.200106.01	Protector, Front Cover	1
26	85.210002.04	Control Box, CSA	1
27	85.130300.01	Pull Choke Assembly	1
28	5.1830.022	CO Module	1
29	1.845.4216	Screw ST4.2 x 16	2
30	201226.21.10	Wire Assembly	1

FRAME ASSEMBLY PARTS DIAGRAM

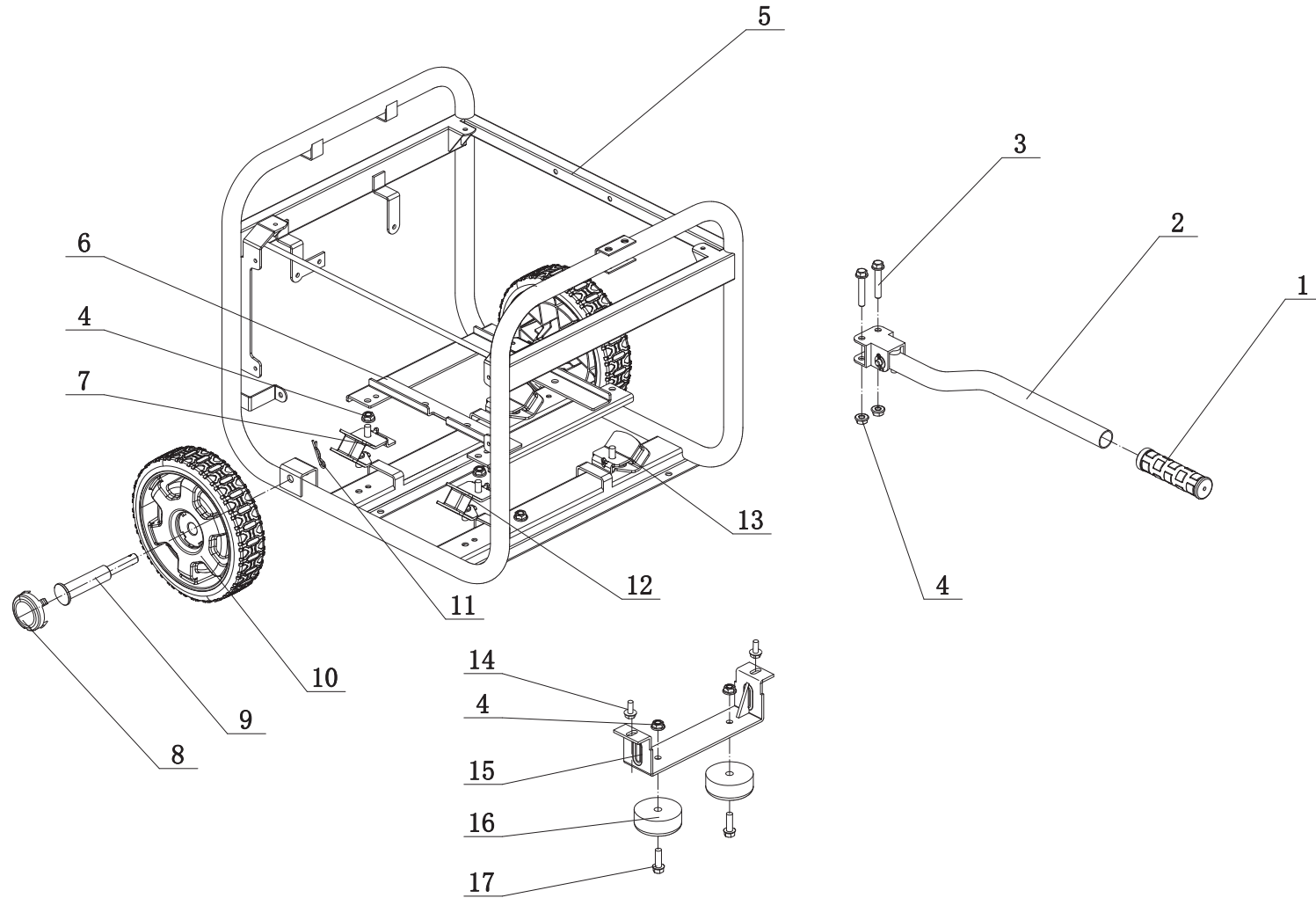


Figure H

FRAME ASSEMBLY PARTS LIST

#	Part Number	Description	Qty.
1	152.200702.00	Cover, Handle	1
2	122.200700.03.2	Handle	1
3	1.5789.0845	Flange Bolt M8 x 45	2
4	1.6177.1.08	Lock Nut M8, Flange	11
5	61143.0.2	Frame, 520 x 461 x 444	1
6	85.201600.01	Supporter	1
7	85.201200.01	Motor Mount, 1	1
8	122.201702.11.48	Wheel Cover, Tooth Profile 8-10 in, Yellow	2
9	122.201501.23.1	Pin Roll, Wheel, Ø16 x Ø10 x 97, Black	2
10	122.201701.11.48	8 in. Wheel, PU, Yellow	2
11	2.16.001.1	Pin Ø2 x 33, "R" Shape, Black	2
12	85.201200.02	Motor Mount, 2	2
13	85.201200.03	Motor Mount, 3	1
14	1.5789.0816	Flange Bolt M8 x 16	2
15	152.200002.00.2	Support Leg 60 mm	1
16	152.201400.00	Rubber, Support	2
17	1.5789.0825	Flange Bolt M8 x 25	2

WIRING DIAGRAM

