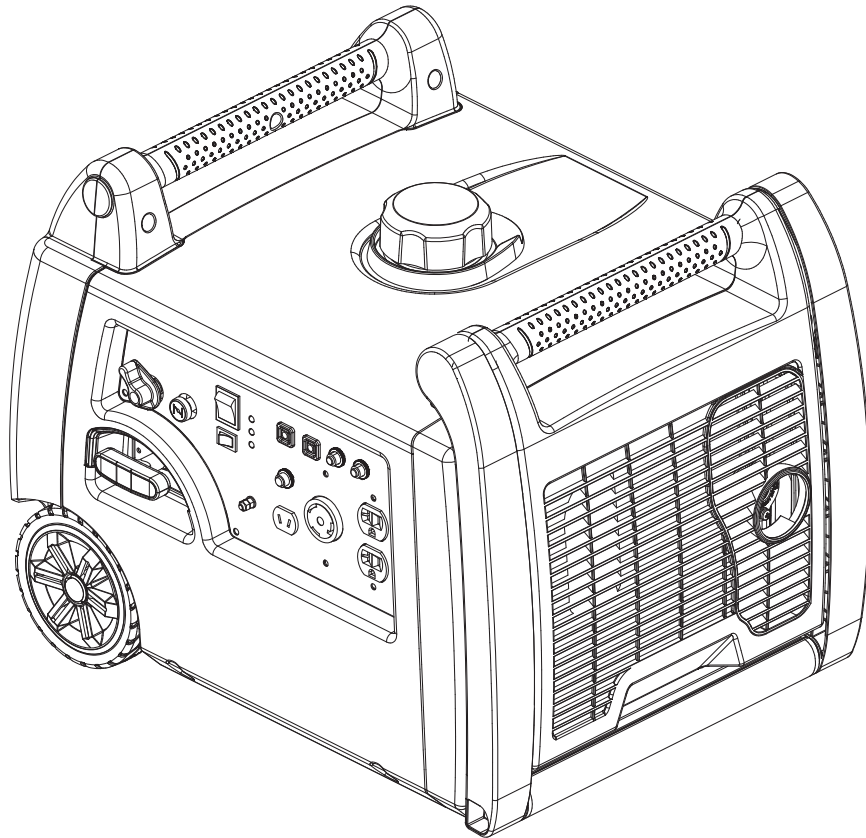


Champion Power Equipment, Inc., Santa Fe Springs, CA USA

MODEL #100269



PARTS INFORMATION

3400W PORTABLE INVERTER GENERATOR

SERIAL NUMBER RANGE: ALL

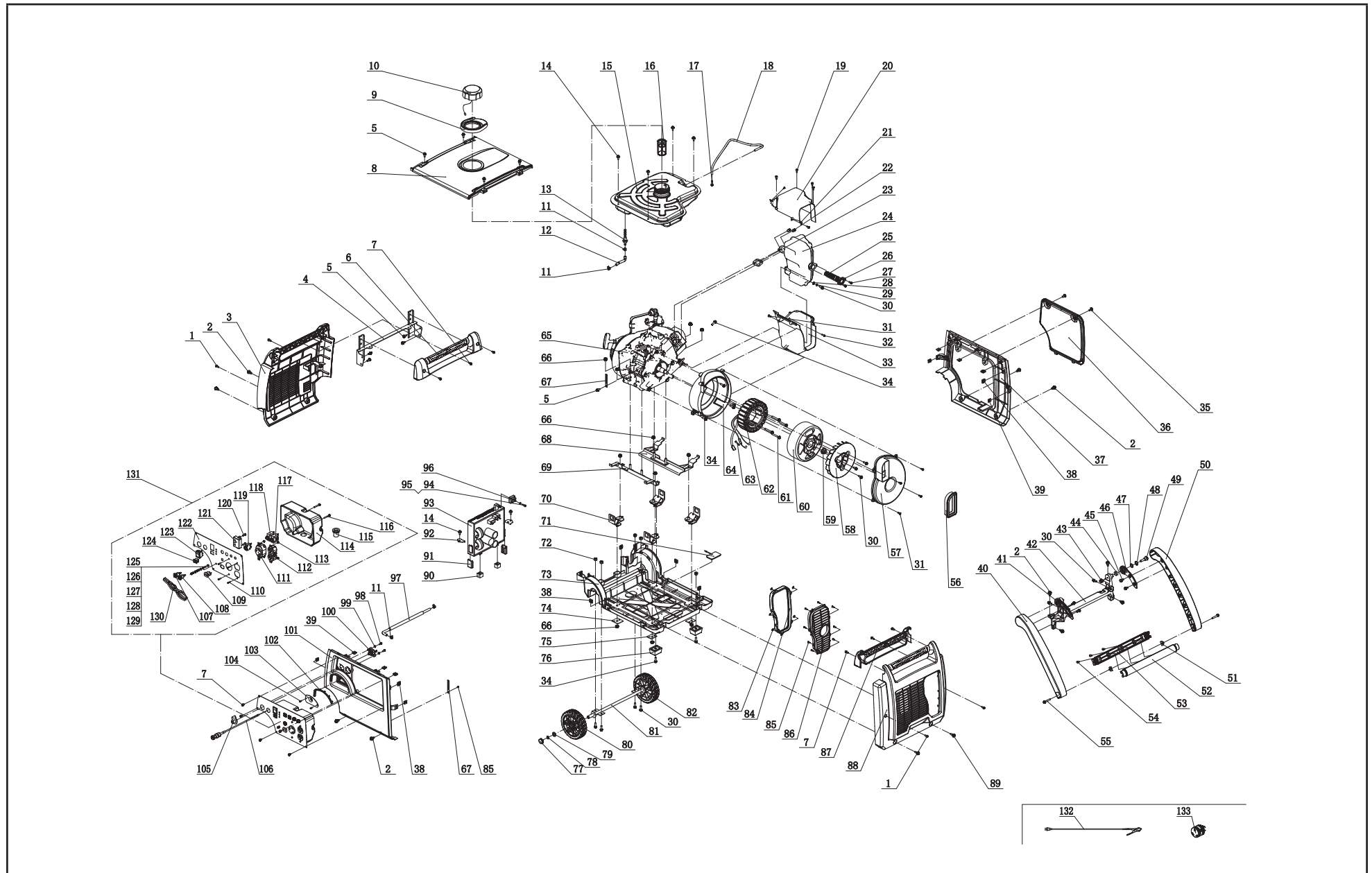


To order replacement parts please visit:
shop.championpowerequipment.com
or call **1-877-338-0999**.

TABLE OF CONTENTS

Inverter Generator Parts Diagram	3
Inverter Generator Parts List	4
Engine Parts Diagram	7
Engine Parts List	8
Wiring Diagram	10

INVERTER GENERATOR PARTS DIAGRAM



INVERTER GENERATOR PARTS LIST

#	Part Number	Description	Qty.
1	1.9074.4.0516.1	Screw/Washer Assembly M5 x 16, Black	4
2	2.08.052.1	Bolt M6 x 16, Black	10
3	83.200200.01.2	Cover, Left, Black	1
4	83.201600.03	Supporter, Left, Black	1
5	1.5789.0612	Flange Bolt M6 x 12	9
6	83.200701.02.2	Handle, Left, Black	1
7	1.9074.4.0512.1	Screw/Washer Assembly M5 x 12, Black	11
8	83.200500.01.48	Cover, Top, Yellow	1
9	83.200502.01	Spillway, Fuel Tank	1
10	83.070100.01	Cap, Fuel Tank	1
11	2.06.016	Clamp, Ø8.7 x b8	4
12	83.070011.03	Fuel Pipe, Fuel Tank To Fuel Valve, Ø5.5×Ø9.5	1
13	21.070600.03	Connect, Al	1
14	2.08.068.2	Flange Bolt M5 x 13	6
15	83.071000.04	Fuel Tank	1
16	83.070300.01	Fuel Filter, Fuel Tank	1
17	84.070022.00	Connect, Pipe	1
18	83.070014.02	Pipe, Fuel Tank To Air Cleaner Pipe	1
19	1.845.4213	Screw ST4.2 x 13	6
20	83.081400.01	Muffler Protector Assembly, Upper	1
21	83.081004.01	Plate	1
22	2.02.001	Nut M6, Long	2
23	28.100001.00	Gasket, Exhaust	1
24	83.101100.01	Muffler Assembly	1
25	46.101300.08	Spark Arrester Assembly	1
26	46.101503.08	Plate, Spark Arrester	1
27	1.9074.4.0514	Screw/Washer Assembly M5 x 14	2
28	1.97.1.06	Washer Ø6	1
29	1.93.06	Lock Washer Ø6	1
30	1.5789.0615	Flange Bolt M6 x 15	10

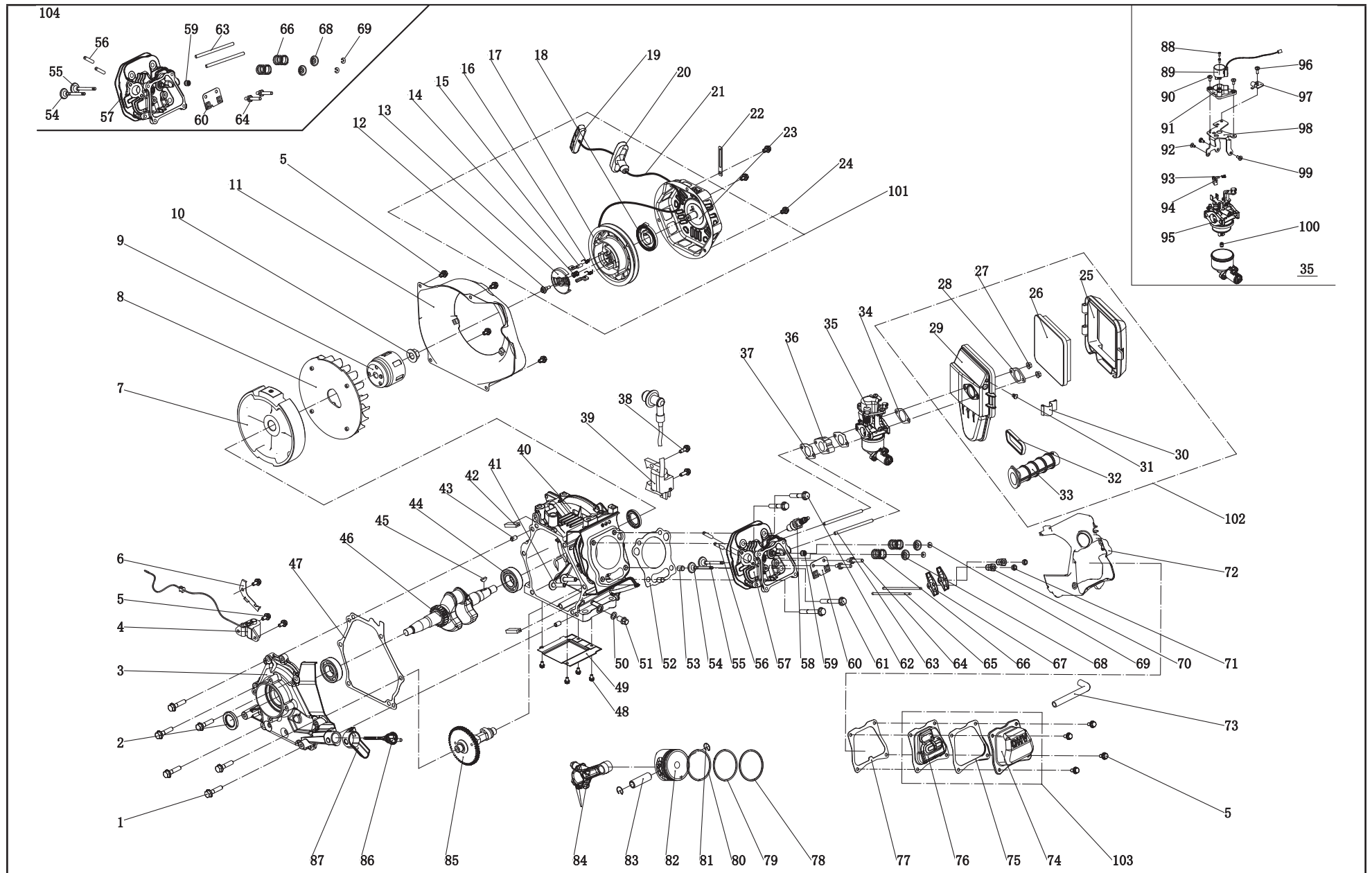
#	Part Number	Description	Qty.
31	1.845.4816	Screw ST4.8 x 16	6
32	1.845.4219	Screw ST4.2 x 19	1
33	83.081500.01	Muffler Protector Assembly, Lower	1
34	1.5789.0620	Flange Bolt M6 x 20	6
35	2.08.055.1	Bolt, Maintenance Cover, Black	2
36	83.200402.01.48	Protector, Rear Cover, Yellow	1
37	83.200401.01.48	Supporter, Rear Cover, Yellow	1
38	2.02.014	Nut M6, Square	12
39	2.02.010	Cage Nut, M5	8
40	83.200701.03.2	Handle, Left, Black	1
41	83.200704.01.2	Bracket, Left, Black	1
42	83.201600.05	Supporter, Right	1
43	1.6187.1.08	Lock Nut M8	2
44	2.13.001	Bushing Ø13.3 x Ø19.3 x 8	2
45	1.5789.0612.1	Flange Bolt M6 x 12, Black	4
46	83.200704.02.2	Bracket, Right, Black	1
47	2.03.001	Bushing Ø13.3 x Ø19.3 x 2	2
48	2.03.002	Washer Ø13 x Ø20 x 2.5	2
49	2.08.002	Bolt M8 x 28	2
50	83.200701.04.2	Handle, Right, Black	1
51	2.02.002	Nut M6, T-Style	2
52	83.200705.01.2	Handle, Upper, Black	1
53	83.200705.02.2	Handle, Lower, Black	1
54	1.9074.3.0512.1	Screw/Washer Assembly M5 x 12, Black	3
55	1.5789.0635.1	Flange Bolt M6 x 35, Black	2
56	83.190006.01	Rubber Sleeve, End Cover	1
57	83.190003.01	End Cover, Generator	1
58	83.190001.01	Fan, Generator	1
59	2.02.006	Flange Nut, M14 x 1.5	1
60	83.191100.01	Rotor Assembly	1

#	Part Number	Description	Qty.
61	1.5789.0645	Flange Bolt M6 x 45	4
62	83.191200.19	Stator Assembly	1
63	5.1280.011	Fuse, 15A	1
64	83.190002.01	End Cover, Motor	1
65	28.402	Engine,192cc	1
66	1.6177.1.08	Lock Nut M8, Flange	12
67	2.05.050	Clamp, 100 mm, Wire	2
68	83.201600.02	Supporter, Left	1
69	83.201600.01	Supporter, Right	1
70	83.201200.01	Motor Mount	4
71	83.200607.01	Plug, Oil Drain Hole	1
72	1.6182.06	Lock Nut M6	6
73	83.200601.01	Base Setting Component	1
74	83.200609.02	Steel Plate 2	2
75	83.200609.01	Steel Plate 1	2
76	83.201400.01	Rubber Pad	2
77	83.201702.01	Plug, Wheel	2
78	1.894.1.12	Retaining Ring Ø12	2
79	1.848.12	Washer Ø12	2
80	83.201701.01	Wheel, 5.5in., Left	1
81	83.201500.01	Axle	1
82	83.201701.02	Wheel, 5.5in., Right	1
83	83.200305.01	Spring Patch	5
84	83.200304.01	Rubber Seal, Muffler Cover	1
85	1.845.3595	Screw ST3.5 x 9.5	8
86	83.200303.01.2	Muffler Cover, Black	1
87	83.200701.01.2	Handle, Right, Black	1
88	83.200302.01.2	Cover, Right Side, Black	1
89	2.08.075.1	Bolt M6 x 20, Black	2
90	81.220002.00	Mount Rubber, Control Unit	2
91	83.220001.00	Protector, Control Unit	2
92	83.220003.02	Pressure Plate, Control Unit	2

#	Part Number	Description	Qty.
93	83.221000.90.92	Control Unit, 3100W/120V/60Hz, Wireless Parallel	1
94	1.5783.0520	Bolt M5 x 20	1
95	1.93.05	Lock Washer Ø5	1
96	122.190600.00	Rectifier	1
97	83.070011.02	Fuel Pipe, Fuel Valve To Carburetor	1
98	1.845.4819	Screw ST4.8 x 19	2
99	1.97.1.05	Washer Ø5	2
100	83.070400.01	Fuel Valve	1
101	83.200101.01.48	Front Cover, Yellow	1
102	83.200106.01	Protector, Front Cover	1
103	83.061200.01.2	Guide Plate, Rope, Black	1
104	1.823.0408	Screw M4 x 8	2
105	83.070001.01	Knob, Fuel Valve	1
106	83.130200.01	Pull Choke Assembly	1
107	83.210001.01.3	Connect Port, Red	1
108	83.210001.01.1	Connect Port, Black	1
109	5.1110.000	Receptacle, DC 12V	1
110	1.9074.4.0414.1	Screw/Washer Assembly M4 x 14	4
111	5.1120.023	Receptacle L5-30R	1
112	5.1120.027	Receptacle 5-20R, Duplex	1
113	1.6177.1.04.1	Lock Nut M4, Flange, Black	4
114	83.210002.01	Control Box	1
115	122.210003.01	Grommet	1
116	1.9074.1.0535.2	Screw/Washer Assembly M5 x 35	2
117	5.1210.920	20Amp Circuit Breaker, Push Button	1
118	5.1210.930	30Amp Circuit Breaker, Push Button	1
119	5.1200.908	8Amp Circuit Breaker, Push Button, CSA	1
120	1.818.0514.3	Screw M5 x 14, Green	2
121	83.210016.00	Speed Limiter	1
122	83.01.37.2	Control Panel, Black	1
123	5.1000.002.1	Ignition Switch, Black	1

#	Part Number	Description	Qty.
124	5.1010.003.1	Switch, Economy	1
125	1.5783.0520.1	Bolt M5 x 20	1
126	1.862.05	Lock Washer Ø5, Toothed	1
127	1.97.1.05.1	Washer Ø5	2
128	1.93.05.1	Lock Washer Ø5	2
129	1.6170.05.1	Nut M5	2
130	100269.21.10	Wire Assembly	1
131	100269.21	Control Panel Assembly	1
132	9.1600.010	Cables, DC 12V, 2 m, CSA	1
133	9.3000.016	RV Adapter Plug	1

ENGINE PARTS DIAGRAM



ENGINE PARTS LIST

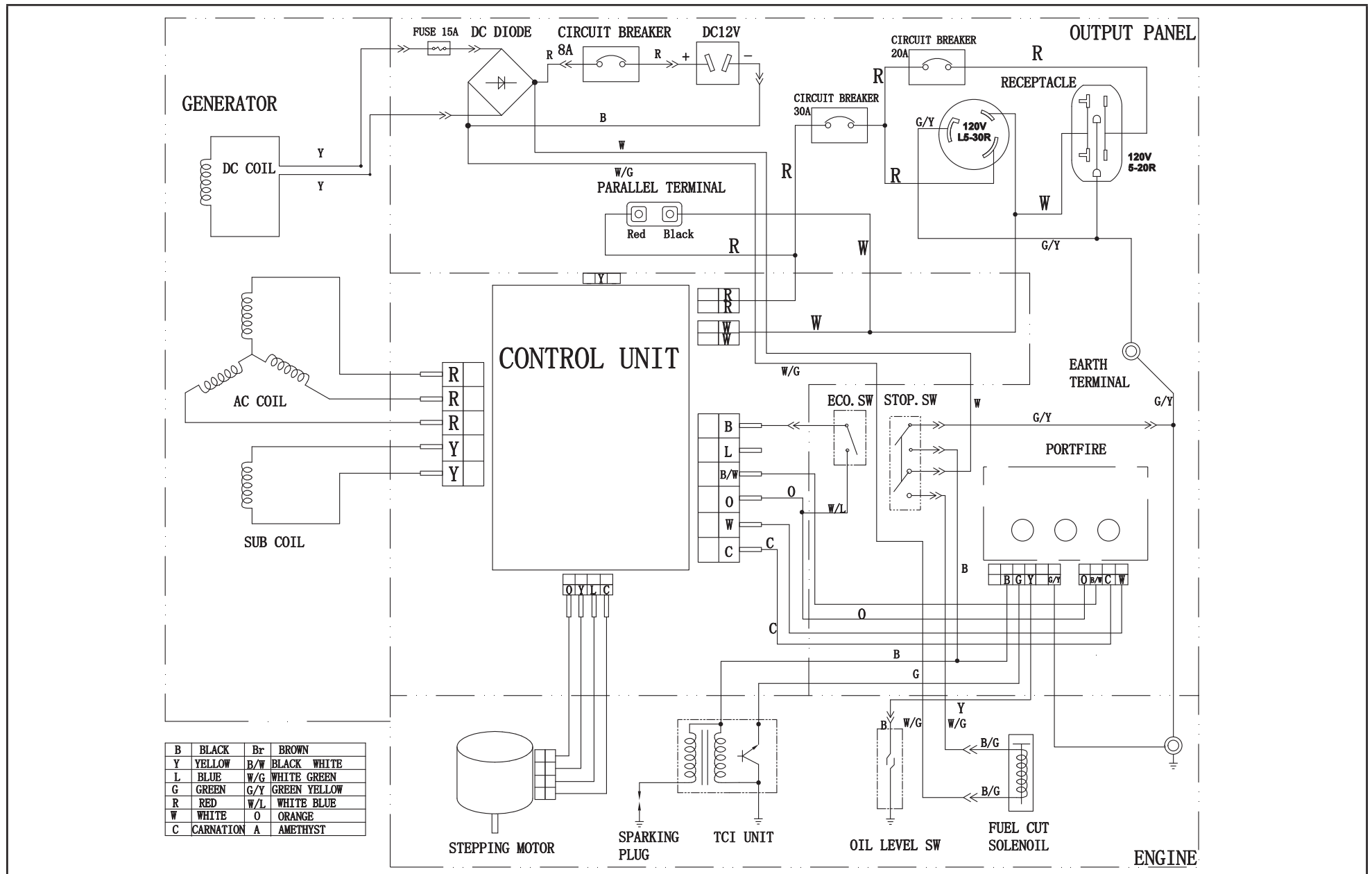
#	Part Number	Description	Qty.
1	1.5789.0835	Flange Bolt, M8 x 35	6
2	2.11.014	Oil Seal	2
3	83.030007.01	Cover, Crankcase	1
4	83.127000.01	Oil Level Sensor	1
5	1.5789.0612	Flange Bolt, M6 x 12	11
6	83.030010.01	Plate, Coil	1
7	83.120100.03	Flywheel	1
8	83.080001.01	Cooling Fan	1
9	83.060001.01	Pulley, Starter	1
10	2.02.006	Flange Nut, M14 x 1.5	1
11	83.080100.01.2	Fan Cover	1
12	45.060008.00	Screw, Ratchet Guide	1
13	45.060007.00	Ratchet Guide	1
14	45.060009.00	Spring, Ratchet Guide	1
15	45.060002.00	Starter Ratchet, Iron	2
16	45.060003.00	Spring, Ratchet	2
17	21.061001.01	Reel, Recoil Starter	1
18	21.061005.00	Spring, Recoil Starter	1
19	81.061010.01	Holder, Rope	1
20	81.061006.00	Grip, Rubber	1
21	2.10.001.1	Rope, Ø4 x 1570, Black	1
22	2.05.050	Clamp, 100 mm, Wire	1
23	83.061100.01.2	Cover, Recoil Starter	1
24	1.5789.0608	Flange Bolt, M6 x 8	3
25	83.091200.01	Cover, Air Cleaner	1
26	83.091300.01	Element, Air Cleaner	1
27	1.6177.1.06	Lock Nut M6, Flange	2
28	83.090001.01	Flange, Steel	1
29	83.091100.01	Base, Air Cleaner	1
30	83.091006.01	Buckle	1

#	Part Number	Description	Qty.
31	83.091008.01	Plug, Air Cleaner Base	1
32	83.091002.02	Seal	1
33	83.090004.01	Pipe, Air Cleaner	1
34	83.130004.01	Gasket, Air Cleaner	1
35	28.130000.03	Carburetor Assembly	1
36	83.130001.01	Insulator, Carburetor	1
37	83.130002.01	Gasket, Insulator	2
38	1.5789.0620	Flange Bolt, M6 x 20	2
39	28.123000.00	Ignition Coil	1
40	28.030100.00	Crankcase	1
41	83.040013.01	Lifter, Valve	2
42	83.030013.01	Seal Strip, Crankcase Cover	2
43	2.04.002	Dowel Pin, 8 x 14	2
44	1.276.6205	Bearing 6205	2
45	2.14.017	Woodruff Key, 4 x 6.5 x 16	1
46	83.050100.01	Crankshaft	1
47	83.030008.01	Gasket, Crankcase Cover	1
48	1.9074.4.0510	Screw/Washer Assembly, M5 x 10	4
49	83.080014.01.01	Air Guide Board	1
50	2.03.016	Washer, Ø10 x Ø16 x 1.5, Drain Bolt	1
51	2.08.037	Bolt, M10 x 1.25 x 25, Drain	1
52	28.030009.00	Gasket, Cylinder Head	1
53	2.04.003	Dowel Pin, Ø10 x 14	2
54	83.040006.01	Valve, Exhaust	1
55	28.040002.00	Valve, Intake	1
56	2.01.017	Stud Bolt, M6 x 32	2
57	28.010100.01	Cylinder Head	1
58	2.15.002	Spark Plug F6RTC	1
59	83.040017.01	Oil Seal, Valve	1
60	83.040004.01	Guide Plate, Push Rod	1

#	Part Number	Description	Qty.
61	1.5789.0865	Flange Bolt, M8 x 65	2
62	1.5789.0850	Flange Bolt, M8 x 50	2
63	2.01.020	Stud Bolt, M6 x 97	2
64	83.040010.01	Bolt, Rocker Arm	2
65	83.040005.01	Push Rod	2
66	83.040003.01	Spring, Valve	2
67	83.040009.01	Rocker Arm, Valve	2
68	83.040001.01	Retainer, Valve Spring	2
69	83.040014.01	Valve Collet	2
70	21.040020.00	Adjusting Nut, Valve	2
71	21.040021.00	Nut, Lock	2
72	83.080200.01	Air Shroud, Cylinder	1
73	23.020001.01	Breather Tube	1
74	83.021101.01	Cover, Cylinder Head	1
75	83.021001.01	Gasket, Cylinder Head Element	1
76	83.021200.01	Element Component, Head Cover	1
77	83.020002.01	Gasket, Cylinder Head Cover	1
78	28.050301.00	Ring, First Piston	1
79	28.050302.00	Ring, Second Piston	1
80	28.050303.00	Ring, Oil	1
81	2.09.002	Circlip, Ø16 x Ø1	2
82	28.050005.01	Piston	1
83	83.050003.01	Wrist Pin	1
84	83.050200.01	Connecting Rod Assembly	1
85	83.040100.01	Camshaft	1
86	83.031000.01	Oil Dipstick Assembly	1
87	83.030035.01	Oil Nipple	1
88	1.818.0306.1	Screw, M3 x 6, Black	2
89	81.132200.00	Stepper Motor	1
90	1.9074.1.0408	Screw/Washer Assembly, M4 x 8	2
91	82.132100.00	Base, Stepper Motor	1
92	1.819.0508	Screw, M5 x 8	1

#	Part Number	Description	Qty.
93	81.130010.00	Spring, Connector	1
94	81.130008.00	Connector, Choke Valve Axis	1
95	28.131000.03	Carburetor	1
96	1.9074.3.0512	Screw/Washer Assembly, M5 x 12	1
97	81.130007.00	Pressure Plate, Choke Control Line	1
98	83.130005.01	Support, Stepper Motor	1
99	1.9074.3.0508	Screw/Washer Assembly, M5 x 8	2
100	28.131017.00	Main Jet, Standard	1
	28.131017.00.01	Main Jet, Altitude	/
101	83.061000.01	Recoil Assembly	1
102	83.091000.01	Air Cleaner Assembly	1
103	83.021000.01	Cylinder Head Cover Assembly	1
104	28.010000.00	Cylinder Head Assembly	1

WIRING DIAGRAM



B	BLACK	Br	BROWN
Y	YELLOW	B/W	BLACK WHITE
L	BLUE	W/G	WHITE GREEN
G	GREEN	G/Y	GREEN YELLOW
R	RED	W/L	WHITE BLUE
W	WHITE	O	ORANGE
C	CARNATION	A	AMETHYST