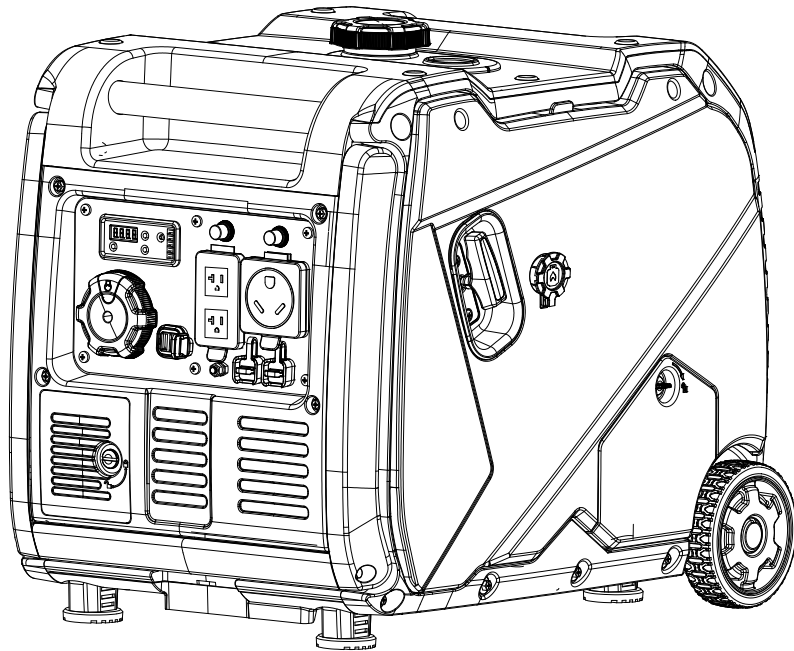




Champion Power Equipment, Inc.

MODEL #201278



PARTS INFORMATION

4500W DUAL FUEL ELECTRIC START INVERTER GENERATOR

SERIAL NUMBER RANGE: ALL



To order replacement parts please visit:
shop.championpowerequipment.com
or call **1-877-338-0999**.

TABLE OF CONTENTS

Inverter Generator Parts Diagram	3
Inverter Generator Parts List	4
Engine Parts Diagram	6
Engine Parts List	7
Cylinder Head Parts Diagram	9
Cylinder Head Parts List	10
Carburetor Parts Diagram	11
Carburetor Parts List	12
Frame Parts Diagram	13
Frame Parts List	14
Fuel Tank Parts Diagram	15
Fuel Tank Parts List	16
Control Panel Parts Diagram	17
Control Panel Parts List	18
Wheel Kit Parts Diagram	19
Wheel Kit Parts List	20
Wiring Diagram	21

INVERTER GENERATOR PARTS DIAGRAM

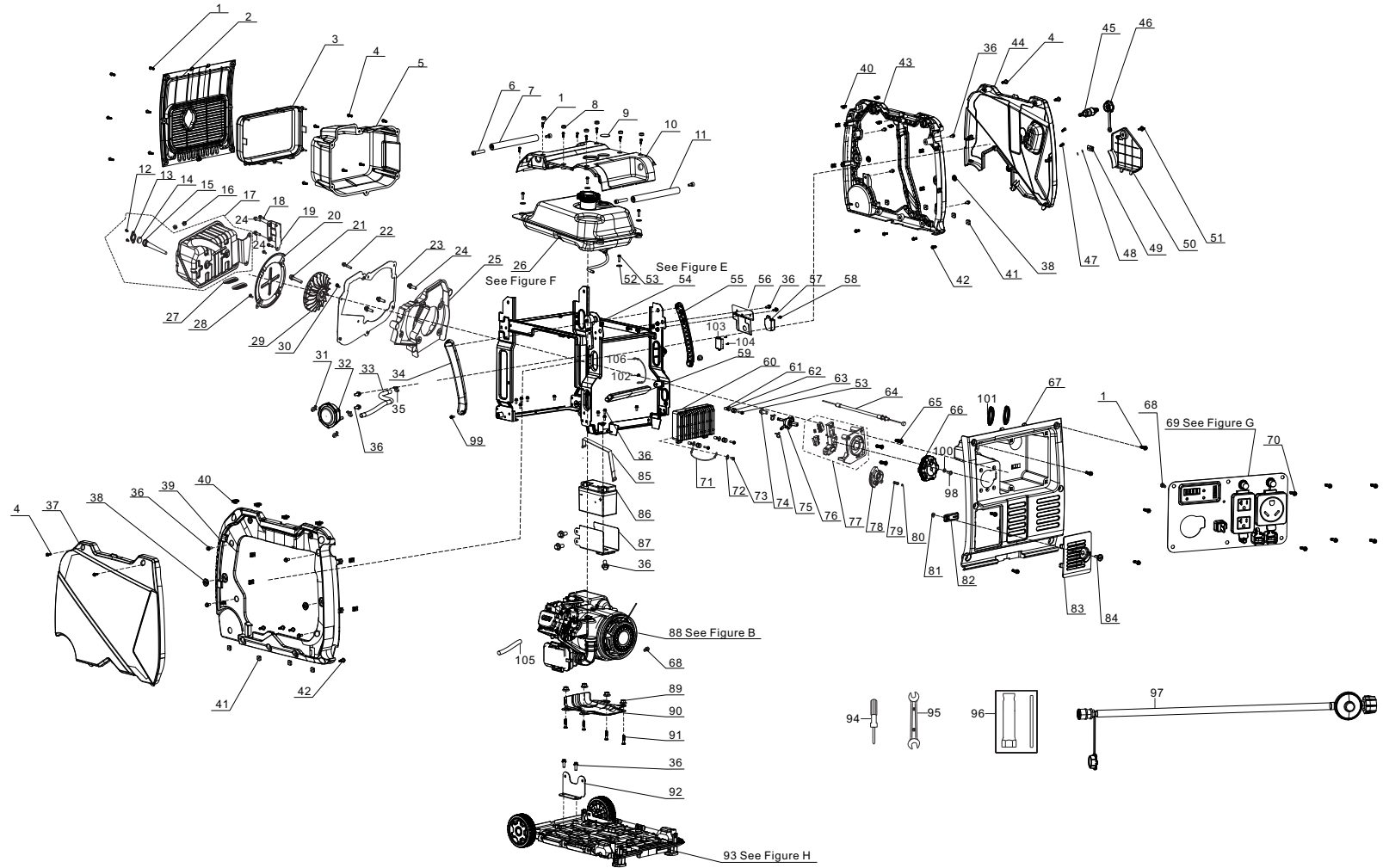


Figure A

INVERTER GENERATOR PARTS LIST

#	Part Number	Description	Qty.
1	90208-000005	Hexagonal Step Bolt, M5 x 16, Black Zinc	20
2	18002-000001	Louver, Muffler	1
3	18018-000001	Insulator Glue Cushion, Muffler	1
4	90208-000004	Hexagonal Step Bolt, M5 x 12, Black Zinc	10
5	18130-000001	Muffler Guard	1
6	90115-000001	Hexagon Socket Bolt, M8 x 30, Black Zinc	4
7	80153-000002	Handle 2, Ø28 x 332	1
8	90722-000005	Plug 1, End	6
9	37205-000001	Fuel Level View, Fuel Gauge	1
10	94230-000001	Cover, Upper	1
11	80153-000001	Handle 1, Ø28 x 273	1
12	18012-000003	Bolt, M5 x 10, Spark Arrestor	2
13	18213-000002	Cover Plate, Spark Arrestor	1
14	18218-000002	Muffler Block	1
15	18250-000012	Spark Arrestor	1
16	90303-000005	Hexagon Nut, M8, White Zinc	2
17	18100-000009	Muffler Assembly	1
18	90007-000007	Hexagon Flange Bolt, M6 x 12, Big head, White Zinc	2
19	18030-000001	Muffler Bracket	1
20	18020-000001	Plate, Muffler Insulator	1
21	90001-000042	Hexagon Flange Bolt, M8 x 20, White Zinc	1
22	90007-000018	Hexagon Flange Bolt, M6 x 35, White Zinc	1
23	18299-000001	Bracket, Muffler Guard	1
24	90001-000040	Hexagon Flange Bolt, M8 x 16, White Zinc	5
25	28110-000001	Shroud	1
26	96003-Y16620-0012	Fuel Tank Assembly - See Figure F	1
27	18001-000011	Exhaust Outlet Gasket	2
28	90134-000001	Bolt, Cross Hexagon Pan Head, M5 x 12, Black Zinc	2

#	Part Number	Description	Qty.
29	19352-000001	Cooling Fan, Inverter	1
30	90124-000002	Tapping Screw, PT4x13, Black Zinc	1
31	90748-000001	Clamp, Ø8 ~ Ø12	2
32	77100-000005	Regulator, Auxiliary	1
33	90729-000008	Hose, Ø9.5 x Ø16.8 x 300	1
34	54912-000002	Rotating Arm 2, Left	1
35	90748-000002	Clamp, Ø10 ~ Ø16	2
36	90001-000018	Hexagon Flange Bolt, M6 x 12, White Zinc	26
37	80092-000018	Cover Board, Left	1
38	16601-000005	Vibration Mount 2, Fuel Tank	4
39	80091-000001	Shell, Left	1
40	17199-000003	Clip Nut, M5, White Zinc	16
41	90326-000001	Square Nut, M6, White Zinc	8
42	90208-000003	Hexagonal Step Bolt, M6 x 20, Black Zinc	8
43	80095-000002	Shell, Right	1
44	80096-000017	Cover Board, Right	1
45	16021-000002	Inlet Connection	1
46	90722-000015	Plug, Gas	1
47	90255-000003	Screw & Washer Assembly, M5 x 12, Black Zinc	2
48	37073-000001	Clip, Spring	2
49	24329-000001	Block 1	1
50	51197-000003	Side Access Panel, Service	1
51	80105-000001	Knob, Side Access Panel, Service	1
52	90408-000010	Flat Washer, Ø6.2 x Ø25 x 2, White Zinc	4
53	90001-000026	Hexagon Flange Bolt, M6 x 25, White Zinc	7
54	96003-Y51100-0009	Frame - See Figure E	1
55	54912-000003	Rotating Arm 1, Right	1
56	51124-000011	Mounting Bracket	1
57	30007-000002	Charging Module, EC0803	1

#	Part Number	Description	Qty.
58	90001-000023	Hexagon Flange Bolt, M6 x 16, Black Zinc	1
59	54913-000002	Rotating Bar	1
60	30043-000025	Inverter, 3.3/3.8kW_120V_60Hz	1
61	90683-000003	Bushing	3
62	90406-000002	Flat Washer, Ø6.4 x Ø18 x 1.6, White Zinc	3
63	30431-000003	Rubber Sleeve, Ø10xØ19x16	3
64	16080-000005	Choke Handle Subassembly	1
65	90129-000002	Tapping Screw, -ST4.2x16, White Zinc	3
66	35643-000002	Knob, Switch Dial, Engine	1
67	35680-000003	Control Panel Housing	1
68	90001-000016	Hexagon Flange Bolt, M6 x 10, White Zinc	2
69	35610-000131	Control Panel Assembly - See Figure G	1
70	90255-000003	Screw & Washer Assembly, Black Zinc	6
71	30009-000011	Grounding Wire	1
72	90408-000003	Flat Washer, Ø5, White Zinc	1
73	90005-000001	Hexagon Screw, M4 x 8, White Zinc	1
74	90001-000020	Hexagon Flange Bolt, M6 x 14, White Zinc	1
75	90685-000012	Clamp, Ø8.0 x 0.6 x 7	2
76	16750-000005	Fuel Valve Assembly	1
77	35160-000008	Switch Assembly, Engine	1
78	94111-000001	Cover Board	1
79	16527-000001	Spring, Stopper Adjusting	1
80	90543-000001	Ball, Steel	1
81	90341-000002	Nylon Nut, M5, Black,Zinc	1
82	24329-000002	Block 2	1
83	31123-000001	Cover, Battery	1
84	90208-000002	Hexagonal Step Bolt, M5 x 16, 6mm	1
85	31115-000003	Band, Battery, 177x24.5x3.8	1
86	31110-000001	Battery, 12V/1.6Ah	1
87	31130-000001	Battery Holder	1
88	96100-210DNVIO-04	212cc, Engine EPA3, Electric - See Figure B	1
89	90305-000010	Hexagon Flange Nut, M8, White Zinc	4

#	Part Number	Description	Qty.
90	19306-000002	Crankcase Air Deflector	1
91	90001-000050	Hexagon Flange Bolt, M8 x 40, White Zinc	4
92	17003-000001	Air Cleaner Support	1
93	96003-Y44110-0006	wheel kit - See Figure H	1
94	93120-000001	Screwdriver	1
95	93107-000004	Wrench, 8 x 10	1
96	93130-000005	Spark Plug Socket	1
97	77300-000001	LPG Hose with Regulator	1
98	90103-000006	Screw, M4 x 16, White Zinc	1
99	90001-000019	Hexagon Flange Bolt, M6 x 12, Black Zinc	2
100	90408-000001	Flat Washer, White Zinc	1
101	30431-000015	Rubber Sleeve, Fuel Tube, Ø38 x Ø51 x 9	2
102	90415-000002	Lock Washer, Toothed, Black Zinc	1
103	35720-000002	CO Module	1
104	90103-000013	Tapping Screw, M5 x 16, White Zinc	2
105	30431-000012	Rubber Sleeve, Fuel Tube, Ø11.5 x Ø13 x 60	1
106	30009-000007	Grounding Wire	1

ENGINE PARTS DIAGRAM

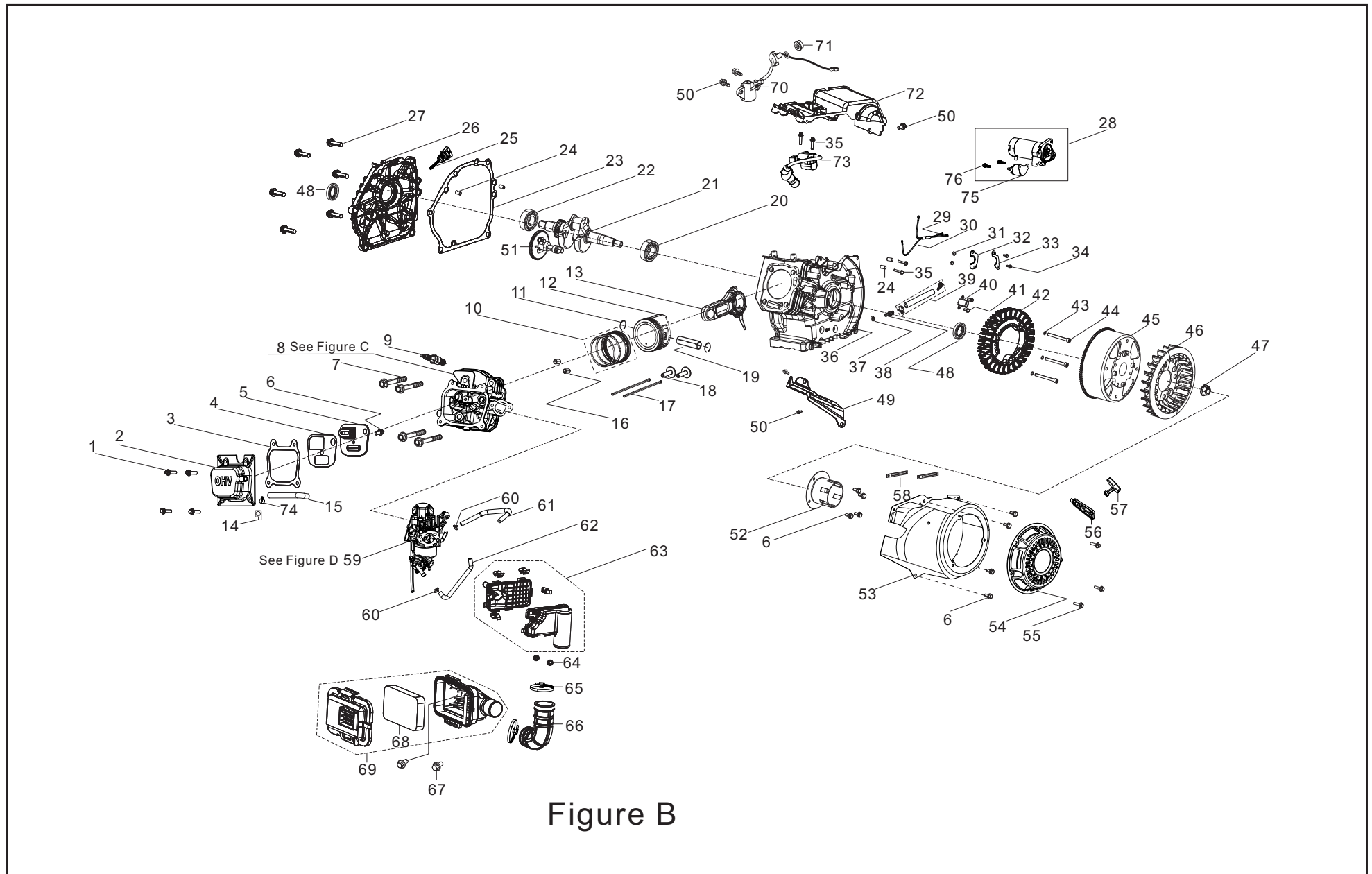


Figure B

ENGINE PARTS LIST

#	Part Number	Description	Qty.
1	90001-000024	Hexagon Flange Bolt, M6 x 20, White Zinc	4
2	12410-000006	Cylinder Head Cover Subassembly	1
3	12004-000010	Cylinder Head Cover Gasket	1
4	11332-000001	Gasket, Breather Groove Cover	1
5	11320-000002	Piece, Breather	1
6	90001-000018	Hexagon Flange Bolt, M6 x 12, White Zinc	9
7	12003-000001	Cylinder Head Bolt, M8 x 60, Black Zinc	4
8	96003-Z12140-0027	Cylinder Head - See Figure C	1
9	30010-000001	Spark Plug, F6RTC	1
10	13200-000004	Piston Ring Assembly	1
11	13122-000001	Piston Pin Clip	2
12	13111-000019	Piston	1
13	13010-000015	Connecting Rod	1
14	90804-000001	Stop Block	1
15	17004-000014	Tube, Breather	1
16	90502-000007	Pin, 11 x 14	2
17	14071-000005	Valve Lifter	2
18	14081-000002	Valve Tappet	2
19	13121-000001	Piston Pin, Ø18 x Ø54	1
20	90547-000016	Bearing, 6305	1
21	13300-000012	Crankshaft Assembly	1
22	90547-000006	Bearing, 6205	1
23	11001-000001	Crankcase Gasket	1
24	90502-000002	Pin, 8 x 12	4
25	15010-000002	Oil Dipstick Subassembly	1
26	11411-000006	Crankcase Cover	1
27	90001-000047	Hexagon Flange Bolt, M8 x 32, White Zinc	6
28	30300-000001	Starting Motor Assembly	1
29	31112-000009	Wire Harness, Battery	1
30	31114-000008	Wire Harness, Engine	1

#	Part Number	Description	Qty.
31	90305-000003	Hexagon Flange Nut, M5, White Zinc	2
32	54066-000002	Wiring Clamp, White Zinc	1
33	30002-000001	Magneto Wiring Clamp	1
34	90001-000008	Hexagon Flange Bolt, M5 x 20, White Zinc	2
35	90001-000028	Hexagon Flange Bolt, M6 x 28, White Zinc	4
36	11310-000007	Crankcase Subassembly	1
37	90408-000021	Flat Washer, Ø10 x Ø15.8 x 1.5	1
38	90689-000003	Joint, Fuel Pile, White Zinc	1
39	11011-000001	Oil Drain Hose	1
40	30130-000003	Trigger	1
41	90001-000007	Hexagon Flange Bolt, M5 x 16, White Zinc	2
42	30120-000018	Stator Component, Ø152 x 38	1
43	90408-000005	Washer, Ø6, White Zinc	3
44	90102-000003	Hexagon Socket Cap Screw, M6 x 60	3
45	30110-000011	Rotor Component	1
46	19352-000011	Cooling Fan, Engine	1
47	13501-000001	Flywheel Nut, M14 x 1.5, White Zinc	1
48	90682-000002	Oil Seal, Ø25 x Ø41.25 x 6	2
49	19309-000001	Right Shield, Crankcase	1
50	90001-000022	Hexagon Flange Bolt, M6 x 16, White Zinc	5
51	14200-000008	Camshaft Assembly	1
52	28002-000009	Starter Pulley	1
53	28110-000014	Shroud	1
54	28200-000013	Recoil Starter Assembly	1
55	90251-000001	Bolts and Washer, M6x8, Black Zinc	3
56	28004-000005	Guide Plate, Starter Rope	1
57	28210-000002	Handle, Starter Rope	1
58	90684-000003	Clip, 100 mm	2
59	96003-Z16100-0028	Carburetor - See Figure D	1
60	90748-000001	Clamp	2

#	Part Number	Description	Qty.
61	90729-000002	Vent Pipe, Ø6.3 x Ø13 x 260	1
62	90729-000003	Vent Pipe, Ø8 x Ø15 x 210	1
63	17400-000002	Air Cleaner, Auxiliary	1
64	90305-000007	Hexagon Flange Nut, M6, White Zinc	2
65	12081-000001	Clamp	2
66	12510-000001	Inlet Pipe	1
67	90001-000026	Hexagon Flange Bolt, M6 x 25, White Zinc	2
68	17151-000005	Element, Air Cleaner	1
69	17100-000017	Air Cleaner	1
70	37060-000009	Engine oil Sensor, W/O Nut	1
71	90305-000014	Hexagon Flange Nut, M6, White Zinc	1
72	16675-000001	Shield	1
73	30400-000012	Ignition Coil	1
74	90685-000015	Clamp, Ø14	1
75	30500-000004	Starting Relay	1
76	90001-000006	Hexagon Flange Bolt, M5 x 14, White Zinc	2

CYLINDER HEAD PARTS DIAGRAM

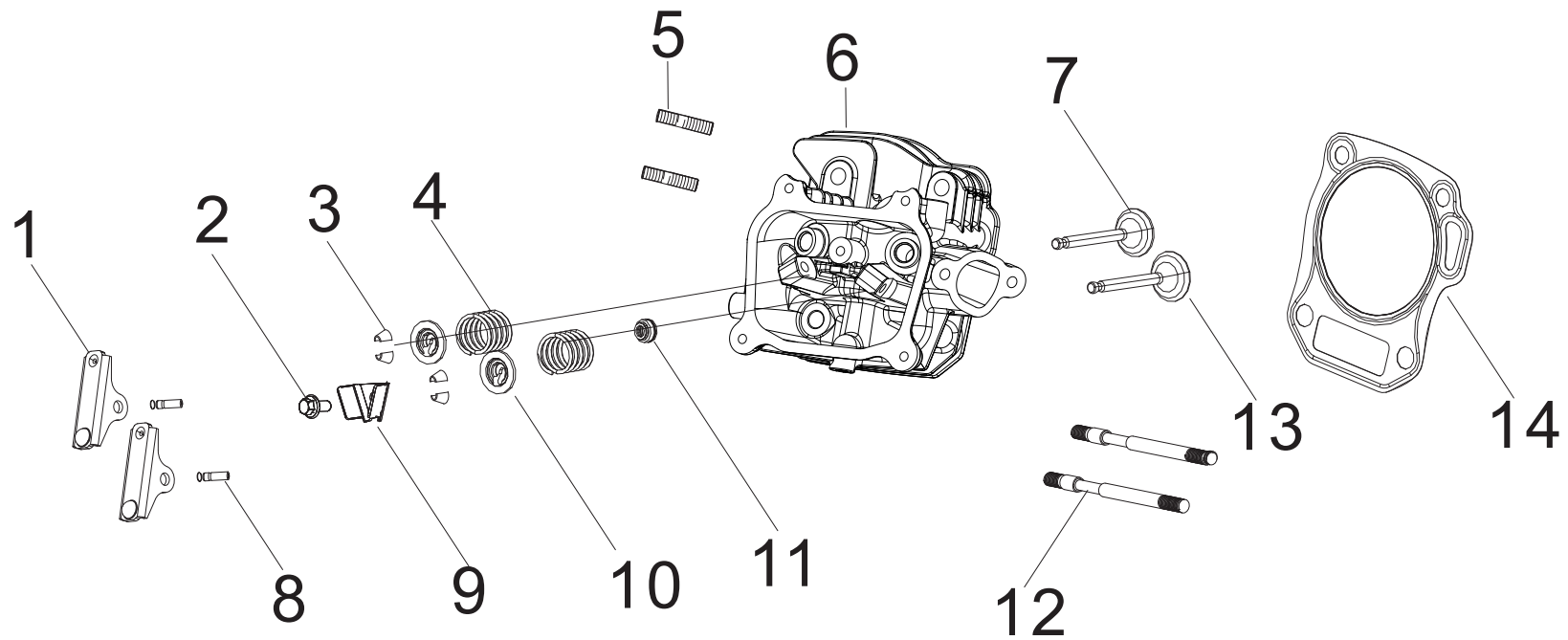
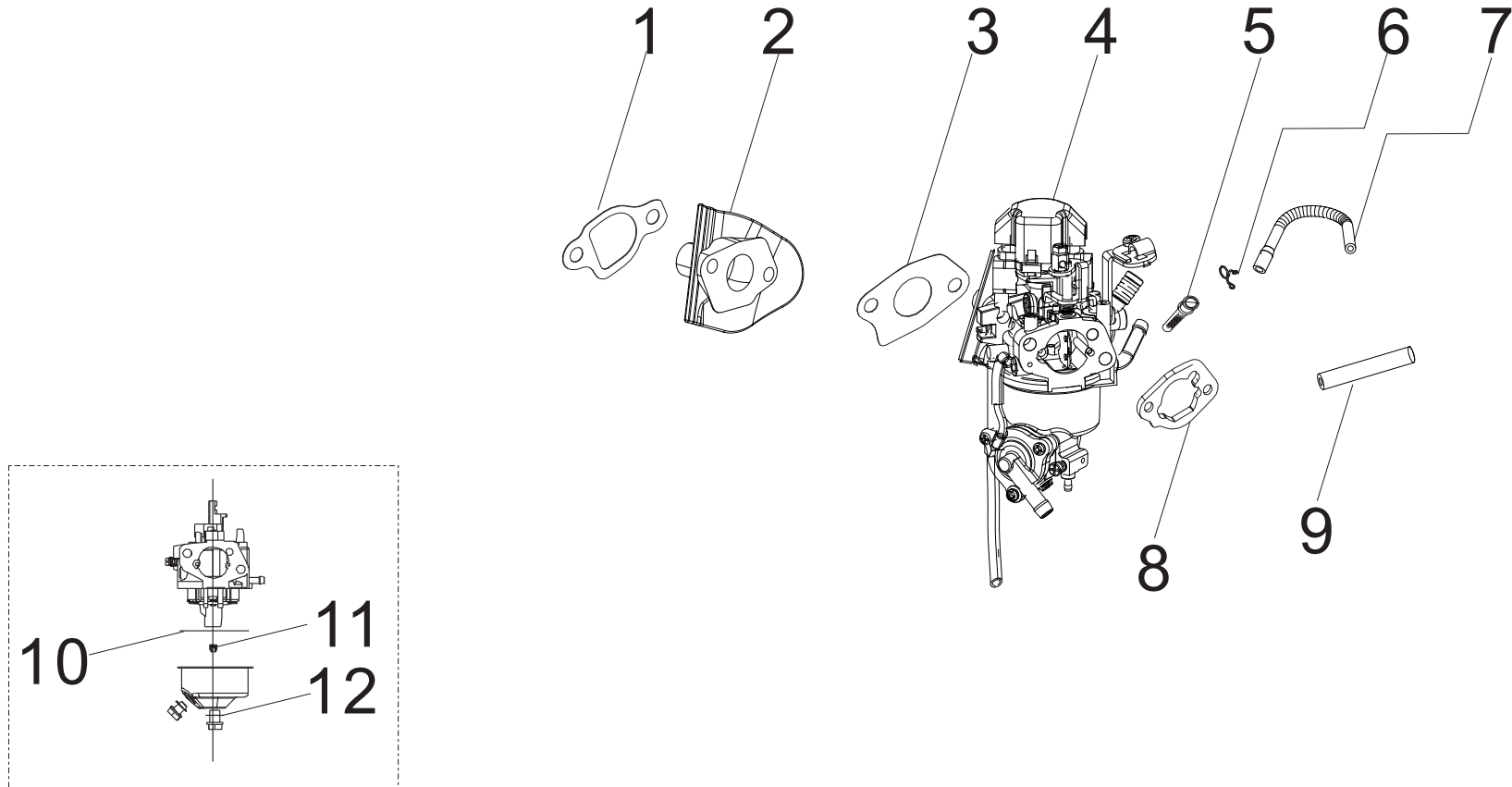


Figure C

CYLINDER HEAD PARTS LIST

#	Part Number	Description	Qty.
1	14310-00008	Valve Rocker Subassembly	2
2	90001-000018	Hexagon Flange Bolt, M6 x 12, White Zinc	1
3	12109-000004	Valve Lock Clamp	4
4	12103-000001	Valve Spring	2
5	90203-000001	Stud, M8 x 34, Black Zinc	2
6	12140-000023	Cylinder Head Subassembly	1
7	12121-000015	Exhaust Valve	1
8	14318-000003	Valve Rocker Shaft Subassembly	2
9	12419-000002	Pin Plate, Cylinder Head Cover	1
10	12112-000008	Valve Spring Retainer	2
11	12101-000006	Seal Guide	1
12	90207-000002	Stud, M6 x 105, Black Zinc	2
13	12111-000012	Inlet Valve	1
14	12131-000015	Cylinder Head Gasket	1

CARBURETOR PARTS DIAGRAM



CARBURETOR PARTS LIST

#	Part Number	Description	Qty.
1	16002-000006	Carburetor Insulator Gasket	1
2	16003-000007	Carburetor Insulator Plate	1
3	16001-000001	Carburetor Gasket	1
4	16100-000036	Carburetor Assembly	1
5	16652-000016	Fuel Filter	1
6	90685-000002	Clamp, Ø9 x Ø0.8 x 8	1
7	90686-000008	Fuel Tube, Ø4.5 x Ø8.5 x 260	1
8	17001-000007	Air Cleaner Gasket	1
9	30431-000010	Rubber Sleeve	1
10	16112-000001	Seal Ring, Float	1
11	16161-000034	Main Jet (83#)	1
	16161-000068	Main Jet (81#), Altitude 3000-6000 Feet	/
	16161-000069	Main Jet (79#), Altitude 6000-8000 Feet	/
12	90681-000005	Seal Ring	1

FRAME PARTS DIAGRAM

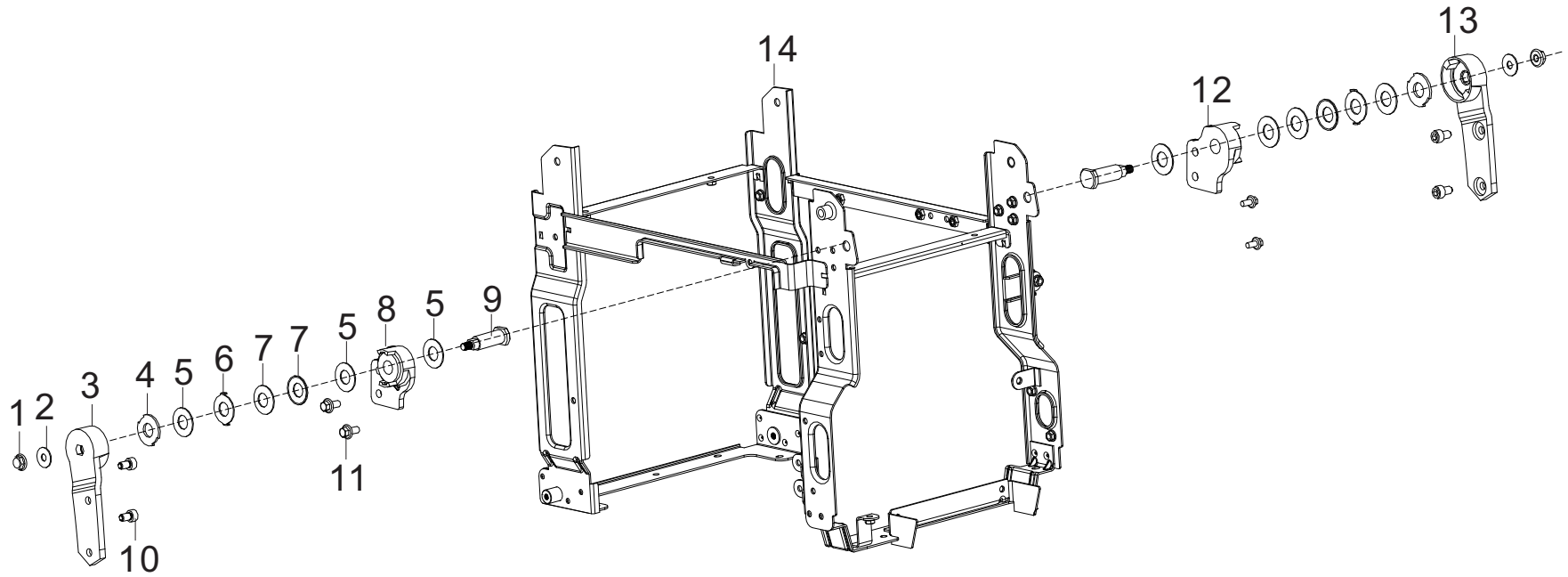


Figure E

FRAME PARTS LIST

#	Part Number	Description	Qty.
1	90341-000001	Nylon Nut, M6, White Zinc	2
2	90408-000015	Flat Washer, Ø18 x 6.5 x 1.5, White Zinc	2
3	54122-000001	Left Seat 2, Handle Tube Connecting	1
4	90412-000001	Flat Washer, Ø12.2 x 27 x 2	2
5	90412-000002	Flat Washer, Ø13 x 25 x 1, White Zinc	6
6	42017-000001	Lock Washer, Ø12.2	2
7	90419-000002	Washer, Butterfly, Ø12.2 x 25 x 1x 2, Black Zinc	4
8	54113-000005	Left Seat 1, Handle Tube Connecting	1
9	26231-000001	Shaft, Fixed Axis, Black Zinc	2
10	90001-000017	Hexagon Flange Bolt, M6 x 10, Black Zinc	4
11	90007-000011	Hexagon Flange Bolt, M6 x 16, White Zinc	4
12	54113-000006	Right Seat 1, Handle Tube Connecting	1
13	54122-000002	Right Seat 2, Handle Tube Connecting	1
14	51100-000040	Frame Assembly	1

FUEL TANK PARTS DIAGRAM

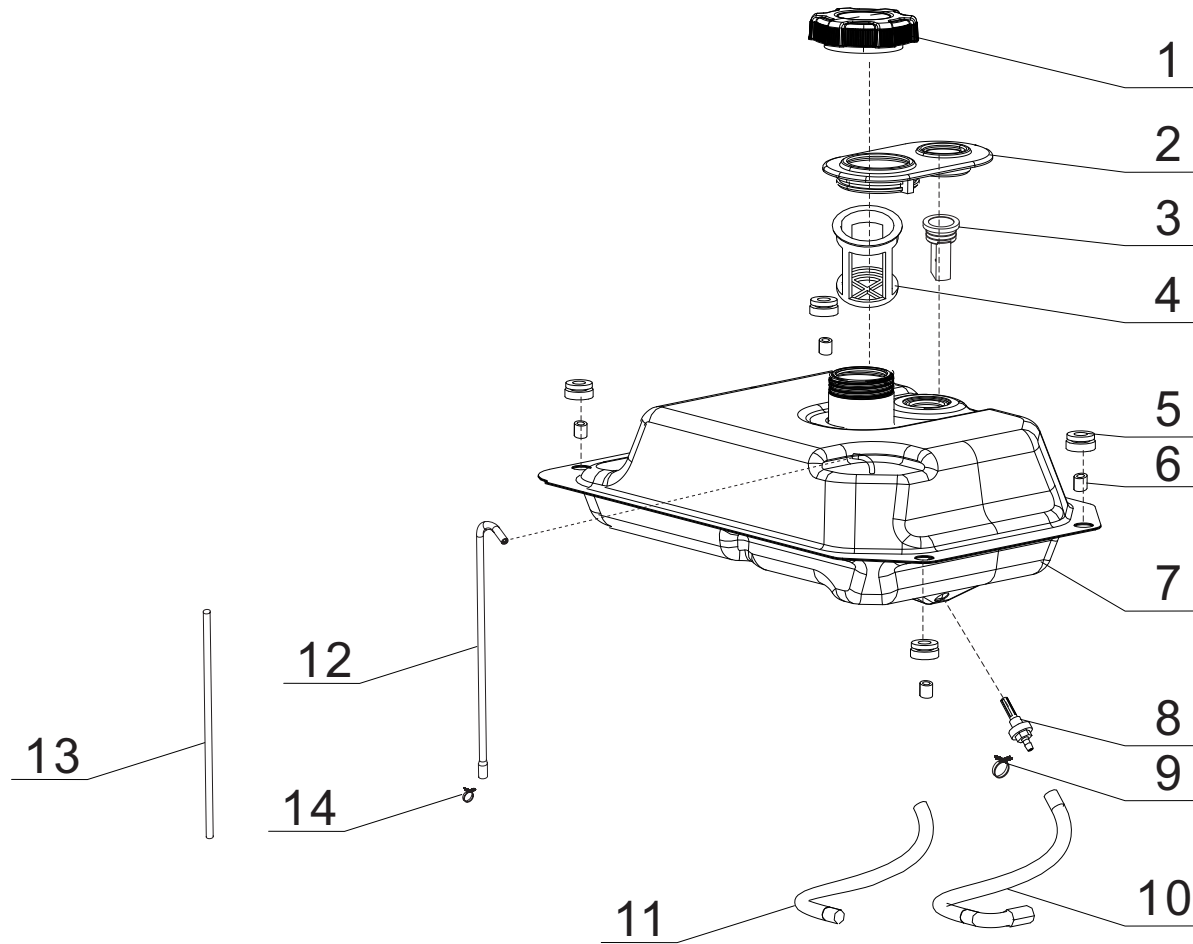


Figure F

FUEL TANK PARTS LIST

#	Part Number	Description	Qty.
1	16730-000011	Fuel Tank Cap	1
2	16641-000002	Rubber Sleeve, Filling Fuel Hole	1
3	37200-000006	Fuel Gauge	1
4	16652-000004	Fuel Filter	1
5	16601-000001	Vibration Mount 1, Fuel Tank	4
6	90683-000001	Bushing, White Zinc	4
7	16620-000005	Fuel Tank	1
8	16680-000001	Fuel Tank Fuel Outlet Subassembly	1
9	90685-000007	Clamp, Ø9.5 x 0.8 x 8	1
10	90686-000007	Tube, Carburetor, Ø4.5 x Ø8.5 x 155	1
11	30431-000001	Rubber Sleeve, Fuel Tube, Ø9×Ø11×60	1
12	16804-000014	Tube, Air Cleaner, Ø4.5 x Ø8.5 x 335	1
13	30431-000010	Rubber Sleeve, Fuel Tube, Ø10 x Ø11 x 180	1
14	90685-000010	Clamp, Ø10.5 x 0.8 x 8	1

CONTROL PANEL PARTS DIAGRAM

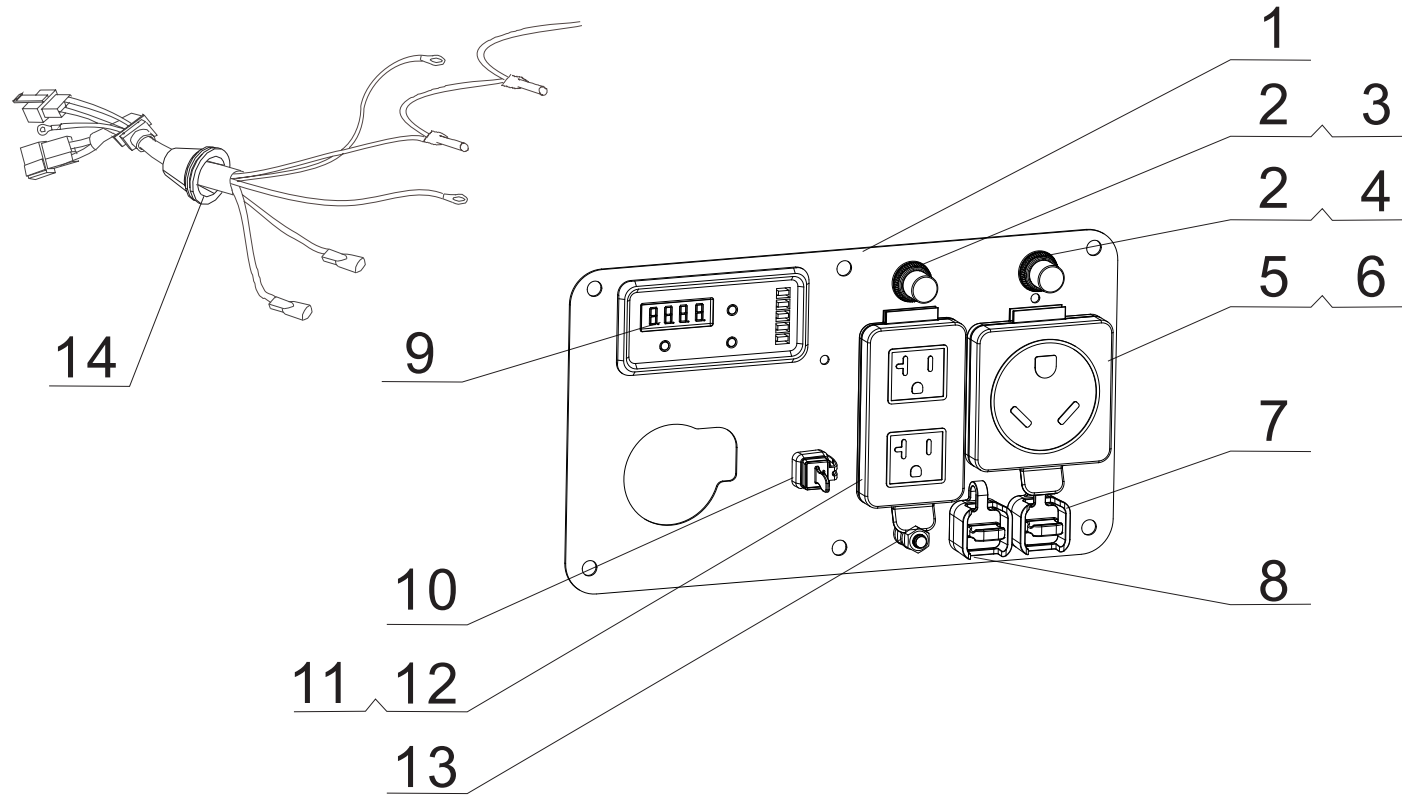


Figure G

CONTROL PANEL PARTS LIST

#	Part Number	Description	Qty.
1	35650-000030	Control Panel	1
2	35654-000005	Cover, Push Button	2
3	31234-000003	Circuit Breaker, Push Button, 20A	1
4	31234-000007	Circuit Breaker, Push Button, 30A	1
5	35654-000011	Receptacle Cover, TT-30R	1
6	35614-000007	TT-30R Receptacle, 30A, 125V	1
7	35614-000020	Wireless Parallel, Receptacle, 40A, 250V, Black Cover	1
8	35614-000019	Wireless Parallel, Receptacle, 40A, 250V, Red Cover	1
9	35632-000013	Intelligauge Display	1
10	35619-000002	USB, 2.1A	1
11	35654-000013	Receptacle Cover, 5-20R	1
12	35614-000017	5-20R Receptacle, 20A, 125V	1
13	35629-000001	Grounding Terminal	1
14	35660-000030	Wire Harness, Control Panel	1

WHEEL KIT PARTS DIAGRAM

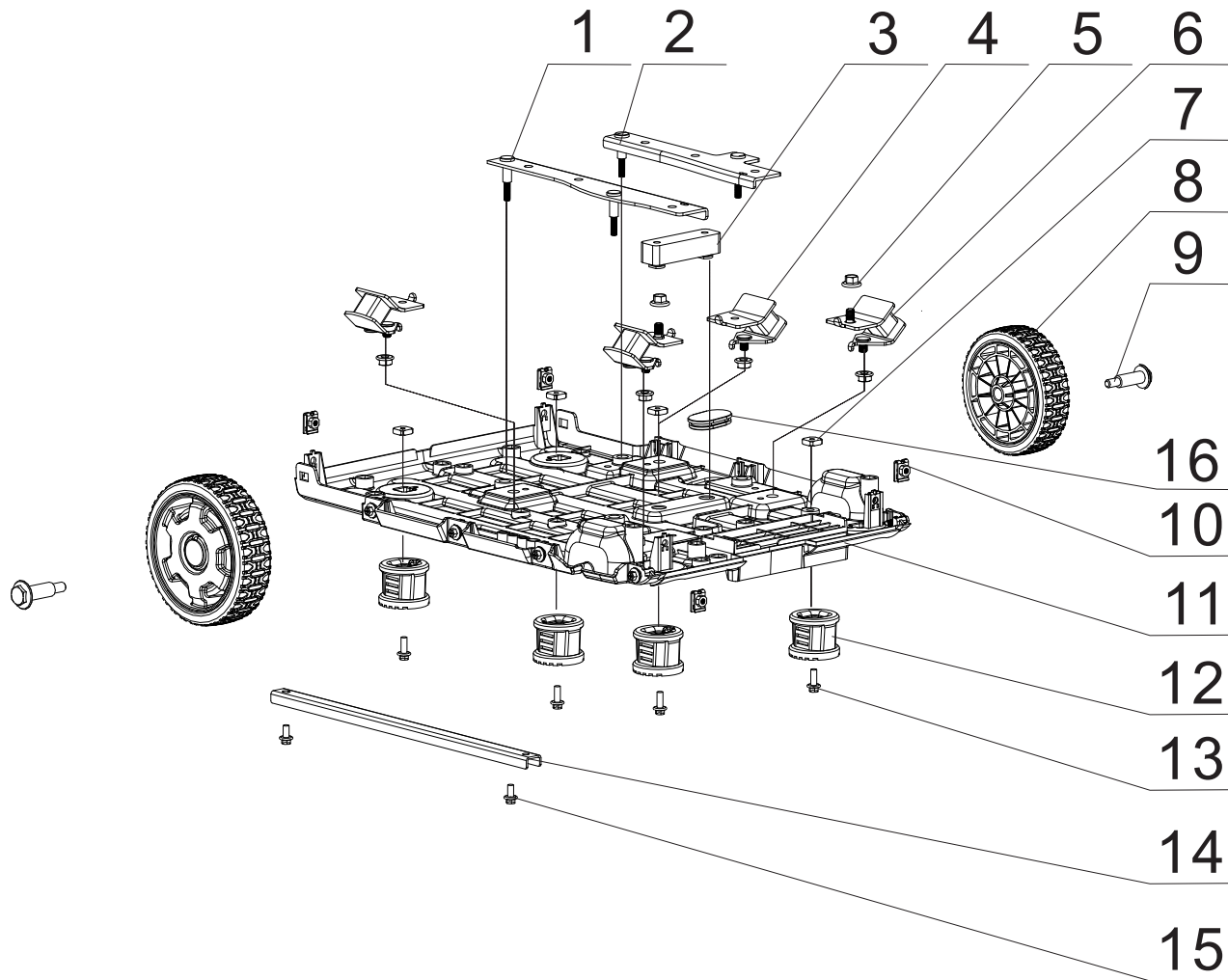


Figure H

WHEEL KIT PARTS LIST

#	Part Number	Description	Qty.
1	51188-000001	Left Support, Engine	1
2	51189-000001	Right Support, Engine	1
3	50035-000003	Bracket, Cushion Rubber	1
4	51011-000003	Vibration Mount, Right, Frame	2
5	90305-000010	Hexagon Flange Nut, M8, White Zinc	6
6	51009-000001	Vibration Mount, Left, Frame	2
7	90326-000001	Square Nut, M6, White Zinc	4
8	44110-000001	5in. Wheel, Yellow	2
9	42002-000002	Axle, Ø13×30, Black Zinc	2
10	17199-000003	Clip Nut, M5, White Zinc	4
11	51143-000001	Plate, Bottom	1
12	51014-000007	Foot, Rubber	4
13	90001-000022	Hexagon Flange Bolt, M6 x 16, White Zinc	4
14	51103-000002	Reinforcing Plate, Black Zinc	1
15	90001-000018	Hexagon Flange Bolt, M6 x 12, White Zinc	2
16	90722-000002	Plug, End	1

WIRING DIAGRAM

