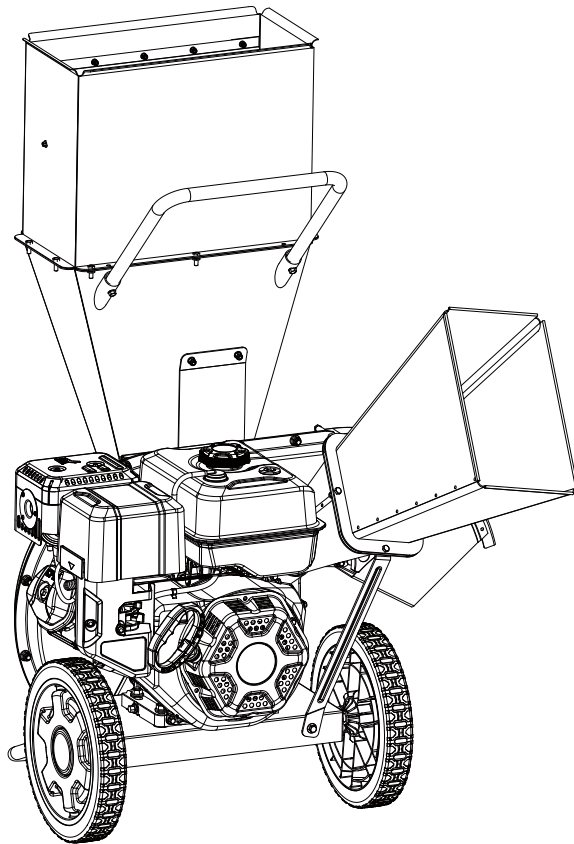




Champion Power Equipment, Inc., Santa Fe Springs, CA USA

MODEL #100137



PARTS INFORMATION

3 IN. CHIPPER SHREDDER

SERIAL NUMBER RANGE: H2209130001-H2209250108

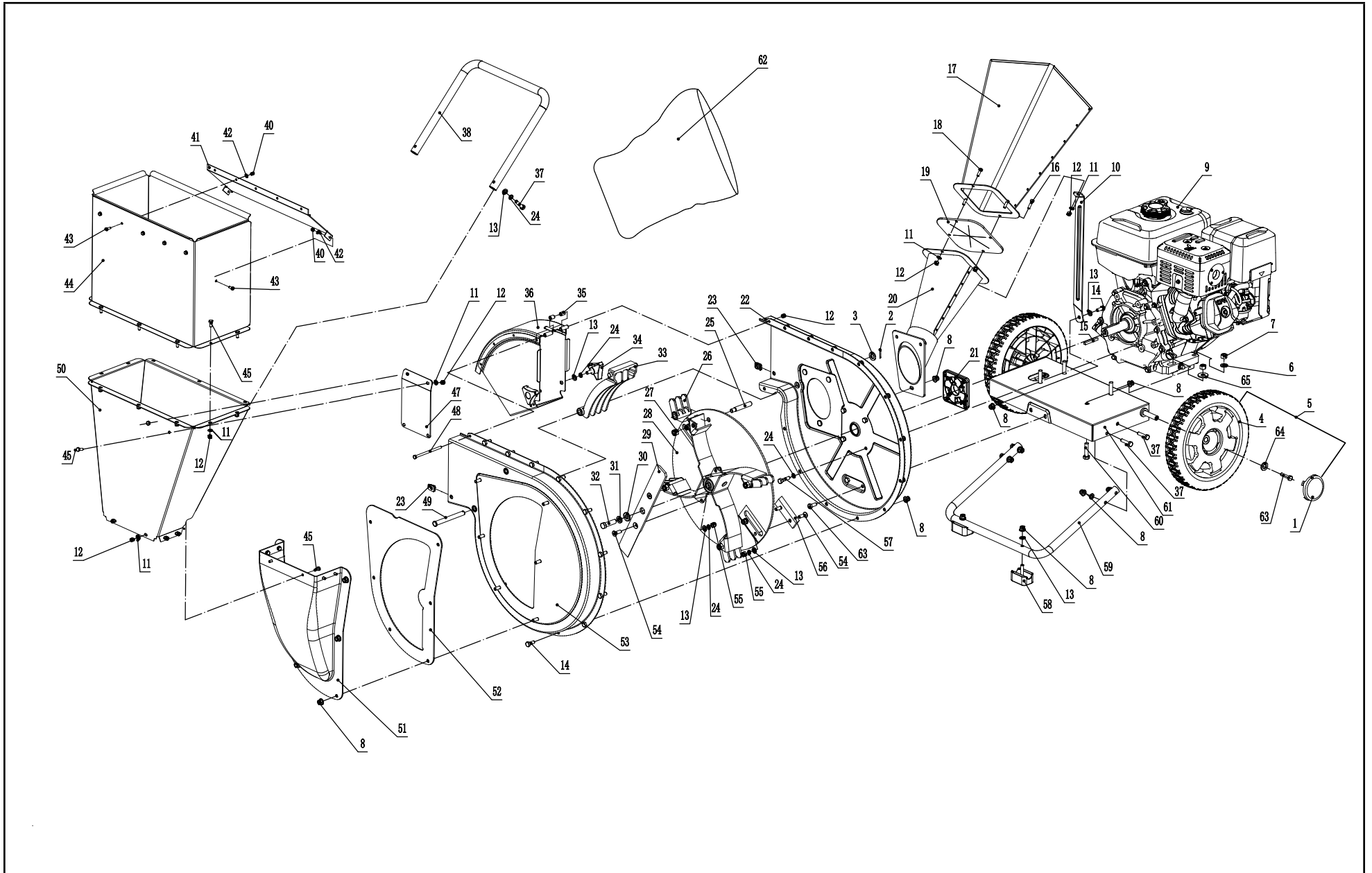


To order replacement parts please visit:
shop.championpowerequipment.com
or call **1-877-338-0999**.

TABLE OF CONTENTS

Chipper Shredder Parts Diagram	3
Chipper Shredder Parts List	4
Engine Parts Diagram 44.102	6
Engine Parts List 44.102	7
Engine Parts Diagram R338p	10
Engine Parts List R338p	11

CHIPPER SHREDDER PARTS DIAGRAM



CHIPPER SHREDDER PARTS LIST

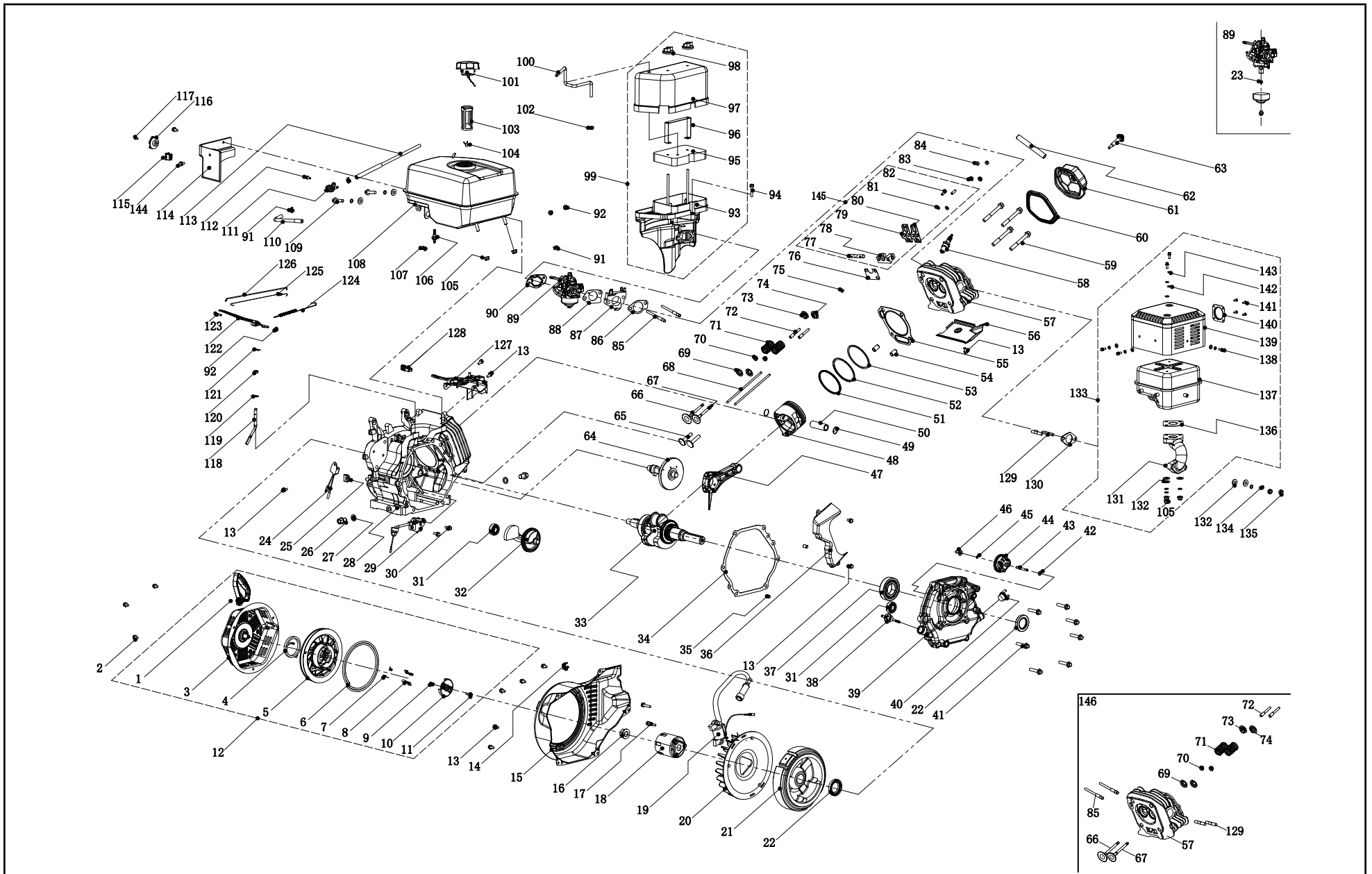
#	Part Number	Description	Qty.
1	"601.201702.00.48 SN<2007Y1100432"	Wheel Cap, Yellow	2
	"254.201702.04.48 SN:202012000001+"		
2	1.91.3220	Cotter Pin, Ø3.2 x 20	1
3	1.97.1.13	Washer, Ø13	1
4	"601.201701.00 SN<2007Y1100432"	12 in.Wheel	2
	"254.201701.04.48 SN:202012000001+"		
5	"601.20170.00.48 SN<2007Y1100432"	12 in. Wheel Assembly, Yellow	2
	"2540006689 SN:202012000001+"		
6	1.97.1.10	Washer, Ø10	4
7	1.6177.1.10	Nut, M10	4
8	1.6187.1.08	Flange Nut, M8	31
9	"44.102 SN<2007Y1100432"	44.102	1
	"2540006751 SN:202012000001+"	R338P	
10	601.300027.01.1	Chute Support Bracket, Black	1
11	1.97.1.06	Washer, Ø6	22
12	1.6182.06	Lock Nut, M6	23
13	1.97.1.08	Washer, Ø8	17
14	1.16674.0820	Bolt, M8 x 20	16
15	"2.14.002 SN<2007Y1100432"	Flat Key, 6.3 x 6.3 x 50	1
	"2540006945 SN:202012000001+"	Flat Key, 6 x 6.3 x 53	1
16	1.5789.0625	Flange Bolt, M6 x 25	1

#	Part Number	Description	Qty.
17	601.300120.01.48	Upper Chipper Chute Assembly, Yellow	1
18	1.5789.0620	Flange Bolt, M6 x 20	3
19	601.300103.01	Block Rubber	1
20	601.300110.01.48	Lower Chipper Chute Assembly, Yellow	1
21	602.300601.01	Engine Plate Assembly	1
22	601.300200.00.1	Inner Flail Housing Assembly, Black	1
23	2.02.032	U Nut, M8	2
24	1.93.08	Lock Washer, Ø8	14
25	601.303005.00	Shoulder Pin	4
26	601.303003.00.2	Flail Blade, Black	4
27	1.6172.2.10	Lock Nut, M10	4
28	601.303100.00.2	Impeller Assembly, Black	1
29	601.303004.00	Shredder Blade	1
30	601.300024.00	Washer	1
31	2.03.063	Lock Washer, Ø12	1
32	2.08.136	Screw, 7/16 - 20UNFx42	1
33	601.300008.00.2	Shredder Screen, Black	1
34	601.300020.00	Knob, M8	2
35	601.300018.00	Hinge Spacer	2
36	601.300400.00.1	Chute Deflector Assembly, Black	1
37	1.5789.0835	Flange Bolt, M8 x 35	2
38	601.301703.00.1	Hopper Handle, Black	1
39	"601.301708.00.48 SN<2007Y1100432"	Rear Upper Hopper Assembly, Yellow	1
	"None SN:202012000001+"	None	
40	1.6182.05	Lock Nut, M5	7
41	601.301704.00.48	Baffle, Yellow	1
42	1.97.1.05	Washer, Ø5	7
43	1.16674.0512.2	Bolt, M5 x 12	7

#	Part Number	Description	Qty.
44	"601.301709.00.48 SN<2007Y1100432"	Front Upper Hopper Assembly, Yellow	1
	"2540006657 SN:202012000001+"		
45	1.5789.0615	Flange Bolt, M6 x 15	18
46	"601.301710.00.48 SN<2007Y1100432"	Rear Lower Hopper Assembly, Yellow	1
	"None SN:202012000001+"	None	
47	601.300014.00.1	Hopper Support Bracket, Black	1
48	1.5782.06100	Bolt, M6 x 100	1
49	601.300022.00	Clevis Pin	1
50	"601.301702.00.48 SN<2007Y1100432"	Front Lower Hopper Assembly, Yellow	1
	"2540006658 SN:202012000001+"		
51	601.300013.00.1	Inlet Guide, Black	1
52	601.300007.00.1	Shredder Plate, Black	1

#	Part Number	Description	Qty.
53	601.300500.00.1	Outer Flail Housing Assembly, Black	1
54	1.70.3.0825	Machine Screw, M8 x 25	2
55	1.6182.08	Lock Nut, M8	6
56	601.303002.00	Chipper Blade	2
57	2.08.137	Bolt , 5/16 - 24UNFx35	4
58	601.300021.00	Rubber Cushion	2
59	601.300011.00.1	Tube Support, Black	1
60	1.5783.1040	Bolt, M10 x 40	4
61	601.300900.00.1	Frame Assembly, Black	1
62	"9.1400.001 SN<2007Y1100432"	Collection Bag	1
	"9.1400.003 SN:202012000001+"		
63	2550004015	Flange Bolt, M8 x 20	4
64	2550011244	Washer, Ø8	2
65	2550011904	Washer, Ø10	2

ENGINE PARTS DIAGRAM 44.102



ENGINE PARTS LIST 44.102

#	Part Number	Description	Qty.
1	23.061006.01	Recoil Handle, Big	1
2	1.5789.0608	Flange Bolt M6 x 8	3
3	46.061100.00.2	Recoil Starter Cover, Black	1
4	45.060005.00	Recoil Starter Spring	1
5	45.061102.00	Recoil Starter Reel	1
6	2.10.003.1	Rope Ø4 x 1550, Black	1
7	45.060003.00	Spring, Ratchet	2
8	45.060002.00	Starter Ratchet, Iron	2
9	45.060009.00	Spring, Ratchet Guide	1
10	45.060007.00	Ratchet Guide	1
11	45.060008.00	Screw, Ratchet Guide	1
12	46.061000.01	Recoil Assembly	1
13	1.5789.0612	Flange Bolt M6 x 12	11
14	2.05.003	Clamp Ø11.5 x 10	1
15	46.080100.00.48	Fan Cover, Yellow	1
16	2.02.007	Nut M16 x 1.5	1
17	1.5789.0629	Flange Bolt M6 x 29	2
18	45.060001.00	Pulley, Starter	1
19	46.123000.01	Ignition Coil	1
20	45.080001.00	Cooling Fan	1
21	46.120100.03	Flywheel, Manual Start EPA	1
22	2.11.007	Oil Seal Ø35 x Ø52 x 8	2
23	46.131017.01	Standard Main Jet	1
	46.131017.01.01	Altitude Main Jet	/
24	21.120400.00	Diode Assembly	1
25	45.030032.00	Sheath, Wire	1
26	2.08.039	Drain Bolt M12 x 1.5 x 15	2
27	2.03.023	Washer Ø12.5 x Ø20 x 2	2
28	46.030100.00	Crankcase	1
29	45.127000.02	Oil Level Sensor	1

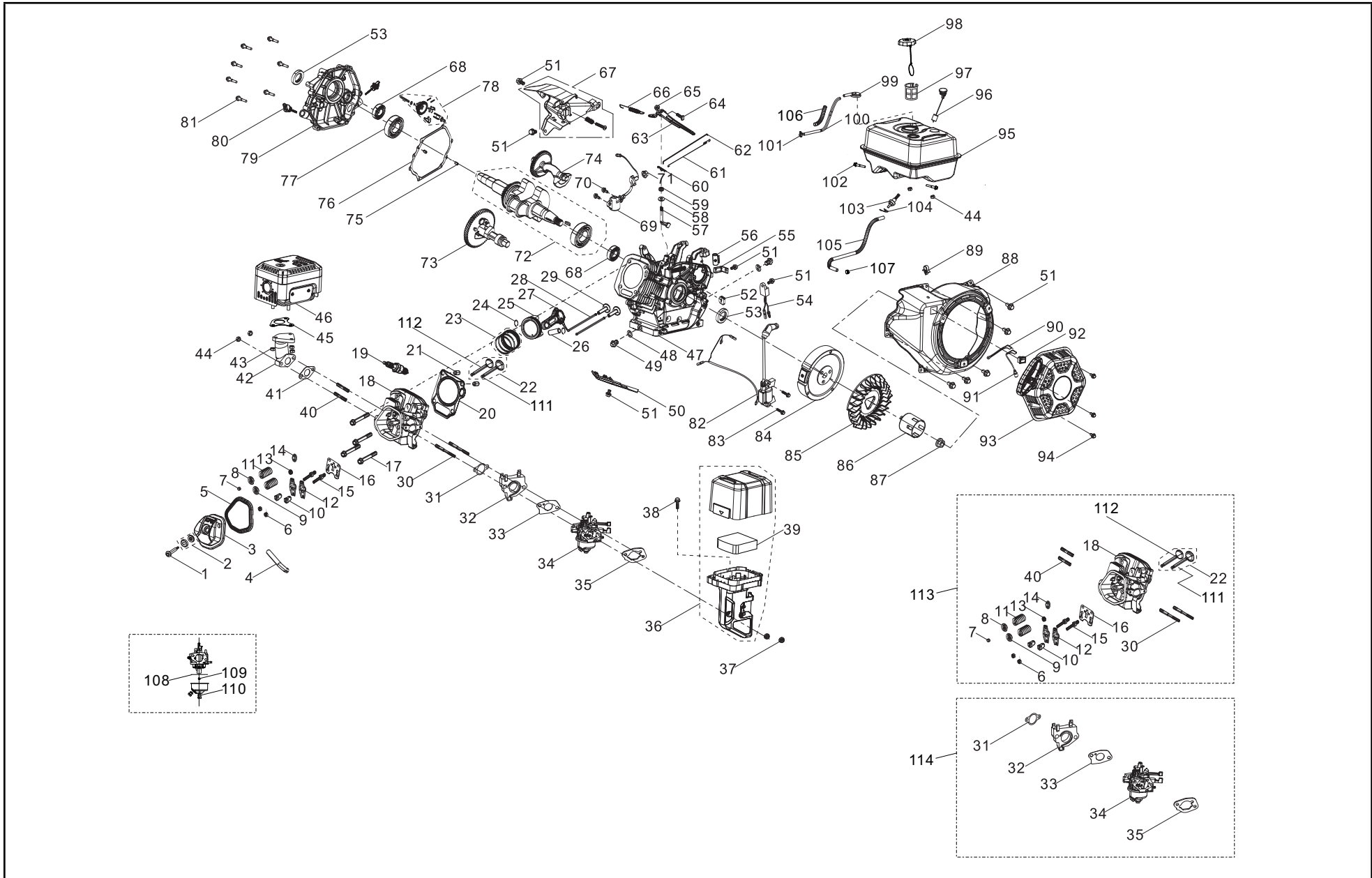
#	Part Number	Description	Qty.
30	1.5789.0615	Flange Bolt M6 x 15	2
31	1.276.6202	Bearing 6202	2
32	47.050006.00	Weight Balancer	1
33	45.050100.09	Crankshaft	1
34	46.030008.00	Gasket, Crankcase Cover	1
35	2.04.001	Dowel Pin Ø9 x 14	2
36	46.080600.00	Air Guide, Right Side	1
37	1.276.6207	Bearing 6207	1
38	46.031000.00.48	Oil Dipstick Assembly, Yellow	1
39	45.030007.01	Cover, Crankcase	1
40	22.031000.01.48	Oil Filler Cap, Yellow	1
41	1.5789.0840	Flange Bolt M8 x 40	7
42	2.03.021.1	Washer Ø6.4 x Ø13 x 1, Black	1
43	45.110013.00	Shaft, Governor Gear	1
44	45.110100.00	Governor Gear	1
45	21.110011.00	Clip, Governor Gear	1
46	45.110012.00	Bushing, Governor Gear	1
47	47.050200.00	Connecting Rod	1
48	46.050005.01	Piston	1
49	2.09.004	Circlip Ø21 x Ø1	2
50	45.050003.00	Pin, Piston	1
51	46.050303.01	Ring, Oil	1
52	46.050302.01	Ring, Second Piston	1
53	46.050301.01	Ring, First Piston	1
54	2.04.004	Dowel Pin Ø12 x 20	2
55	46.030009.00	Gasket, Cylinder Head	1

#	Part Number	Description	Qty.
56	46.080400.00	Air Guide, Lower	1
57	46.010100.00	Cylinder Head	1
58	2.15.002(F6RTC)	Spark Plug, F6RTC	1
59	2.08.014	Flange Bolt M10 x 80	4
60	46.020002.00	Gasket, Cylinder Head Cover	1
61	46.021000.00	Cylinder Head Cover	1
62	45.020001.02	Breather Tube	1
63	45.020100.00	Bolt, Cylinder Head Cover	1
64	46.041000.00	Camshaft	1
65	45.040013.00	Valve Lifter	2
66	45.040002.00	Intake Valve	1
67	45.040006.00	Exhaust Valve	1
68	46.040005.00	Push Rod	2
69	45.040015.00	Retainer, Valve Spring, Down	2
70	45.040017.00	Oil Seal, Valve	2
71	45.040003.00	Spring, Valve	2
72	23.040010.00	Bolt, Rocker Arm	2
73	45.040001.00	Retainer, Intake Valve Spring, Up	1
74	45.040007.00	Retainer, Exhaust Valve Spring, Up	1
75	45.040008.00	Rotator, Exhaust Valve	1
76	46.040004.00	Guide Plate, Push Rod	1
77	46.040016.00	Shaft, Rocker Arm	1
78	46.040201.00	Retainer, Rocker Arm	1
79	46.040009.00	Rocker Arm, Intake Valve	1
80	46.040018.00	Rocker Arm, Exhaust Valve	1
81	1.97.1.06	Washer Ø6	2
82	22.040012.00	Screw, Valve Adjustment	2
83	1.6177.1.06	Flange Lock Nut M6	2
84	21.040021.00	Lock Nut M6 x 0.5	2
85	2.01.007	Stud Bolt M6 x M8 x 130	2
86	46.130002.20	Gasket, Insulator	1
87	45.130001.01	Insulator, Carburetor	1

#	Part Number	Description	Qty.
88	46.130003.00	Gasket, Carburetor	1
89	46.131000.01	Carburetor	1
90	45.130004.00	Gasket, Air Cleaner	1
91	2.06.007	Clip Ø8 x b6	3
92	1.6177.06	Flange Nut M6	3
93	46.091100.01	Base, Air Cleaner	1
94	1.5789.0633	Flange Bolt M6 x 33	1
95	46.091003.08	Element, Air Cleaner	1
96	46.091102.01	Supporter, Air Cleaner	1
97	46.091200.02	Cover, Air Cleaner	1
98	46.091600.01	Screw cap, Air Cleaner Cover	2
99	46.091000.08	Air Cleaner Assembly	1
100	46.070014.01	Pipe, Fuel Tank To Air Cleaner	1
101	24.070100.02	Fuel Tank Cap	1
102	2.12.001	Buffer Ø7.5 x 7.5	1
103	46.070300.00	Fuel Filter Component, Large	1
104	2.06.006	Clamp Ø7 x Ø1	1
105	1.6187.1.08	Nut M8	5
106	21.070600.03	Joint, Fuel Pipe	1
107	2.06.016	Clamp Ø8.7 x b8	1
108	46.071000.01	Fuel Tank	1
109	1.5789.0832	Flange Bolt M8 x 32	2
110	46.070011.00	Pipe, Fuel Tank To Fuel Valve	1
111	24.070400.00	Fuel Valve	1
112	1.16674.0512.2	Flange Bolt M5 x 12	1
113	46.070011.01	Pipe, Fuel Valve To Carburetor	1
114	46.070010.00	Fuel Tank Veil	1
115	5.1010.003.3	Ignition Switch, Red	1
116	24.070001.00	Fuel Valve Knob	1
117	1.818.0412	Bolt M4 x 12	1
118	45.110001.00	Shaft, Governor Arm	1
119	2.03.019	Washer Ø8.2 x Ø17 x 0.8	1

#	Part Number	Description	Qty.
120	2.11.006	Oil Seal Ø7 x Ø14 x 5	1
121	45.110008.00	Pin, Shaft	1
122	45.110003.00	Arm, Governor	1
123	2.08.040	Bolt M6 x 21, Governor Arm	1
124	45.110007.00	Spring, Governor	1
125	45.110005.00	Spring, Throttle Return	1
126	45.110006.00	Rod, Governor	1
127	46.080300.00	Air Guide, Upper	1
128	24.111008.01	Sheath, Grip	1
129	2.01.005	Stud Bolt M8 x 49	2
130	46.100001.07	Gasket, Exhaust Pipe	1
131	46.101001.05	Exhaust Pipe	1
132	1.848.08	Washer Ø8	7
133	46.101000.05	Muffler Assembly	1
134	1.93.08	Lock Washer Ø8	7
135	1.6175.08	Nut M8	2
136	46.101002.05	Washer, Muffler	1
137	46.101100.05	Muffler	1
138	1.16674.0510	Flange Bolt M5 x 10	5
139	46.101202.05	Muffler Protector	1
140	46.101300.05	Muffler Screen	1
141	1.818.046	Screw M4 x 6	4
142	1.848.05	Washer Ø5	5
143	1.859.05	Lock Washer Ø5	5
144	1.5789.0612.3	Flange Bolt M6 x 12	2
145	46.040200.00	Rocker Arm Assembly	1
146	46.010000.00	Cylinder Head Assembly	1

ENGINE PARTS DIAGRAM R338P



ENGINE PARTS LIST R338P

#	Part Number	Description	Qty.
1	12032-Z080110-0101	Cylinder Head Bolt, Blue White Zinc	1
2	12034-Z080110-0091	Cylinder Head Cover Gasket Subassembly, Blue White Zinc	1
3	12410-Z310110-0003	Cylinder Head Cover Subassembly, Blue White Zinc	1
4	17004-Z100110-0001	Tube, Breather, Ø10.5 x Ø15 x 110	1
5	12004-Z080110-0001	Cylinder Head Cover Gasket	1
6	14312-Z010110-0000	Valve Lock Nut	2
7	12104-Z080110-0000	Valve Rotator	1
8	12107-Z080110-0000	Exhaust Valve Retainer	1
9	12112-Z080110-0000	Valve Spring Set	1
10	14314-Z010110-0000	Valve Adjusting Nut	2
11	12103-Z080110-0000	Valve Spring	2
12	14311-Z080110-0000	Valve Rocker	2
13	12101-Z080110-0000	Seal Guide	1
14	12105-Z080110-0000	Valve Spring Retainer	1
15	14313-Z010110-0000	Valve Adjusting Bolt	2
16	14090-Z080110-0000	Lifter Stopper Plate Subassembly, Blue White Zinc	1
17	12003-Z080110-0001	Cylinder Head Bolt, M10 x 80, Blue White Zinc	4
18	12140-Z520211-0B00	Cylinder Head Subassembly	1
19	30010-Z010110-0000	Spark Plug	1
20	12131-Z520110-0000	Cylinder Head Gasket	1
21	90502-1220-00	Pin, 12 x 20	2
22	12110-Z100110-00A0	Valve Set	1
23	13200-Z590110-0000	Piston Ring Assembly	1
24	13122-Z100110-0000	Circlip Ø21 x Ø1	2
25	13111-Z520210-0000	Piston	1
26	13121-Z100110-00A0	Piston Pin, Ø20 x Ø62	1
27	13010-Z100120-00A0	Connecting Rod	1

#	Part Number	Description	Qty.
28	14070-Z100110-0000	Valve Lifter Assembly	2
29	14081-Z080110-0000	Valve Tappet	2
30	90204-Z100210-0000	Stud, M6 x M8 x 135, Black Zinc	2
31	17002-Z100110-0000	Inlet Gasket	1
32	16003-Z100110-0000	Carburetor Insulator Plate	1
33	16001-Z100110-0000	Carburetor Gasket	1
34	16100-Z590511-01M0	Carburetor Assembly	1
35	17001-Z080210-0000	Air Cleaner Gasket	1
36	17100-Z590110-0001	Air Cleaner	1
37	90305-0600-33	Hexagon Flange Nut, M6, Black Zinc	2
38	90007-0630-A1	Hexagon Flange Bolt, M6 x 30, Blue White Zinc	1
39	17151-Z590110-0000	Air Cleaner Element, 153×127×18	1
40	90204-Z100320-0000	Stud, M8 x 54, Black Zinc	2
41	18001-Z190110-0000	Exhaust Gasket	1
42	18150-Z080210-QAA1	Exhaust Pipe	1
43	90305-0800-3E	Hexagon Flange Nut, M8	3
44	90305-0800-3101	Hexagon Flange Nut, M8, Blue White Zinc	4
45	18101-Z080110-0000	Muffler Gasket	1
46	18100-Z190310-00A0	Muffler Assembly	1
47	11310-Z590310-0B00	Crankcase Subassembly	1
48	90412-Z080110-0000	Washer, Ø12 x Ø21 x 2	2
49	11007-Z080110-0001	Drain Plug Bolt, M12 x1.5 x18, Blue White Zinc	2
50	19304-Z110110-0001	Cylinder Body Shroud, Blue White Zinc	1
51	90001-0612-0101	Hexagon Flange Bolt, M6 x 12, Blue White Zinc	10
52	28101-Z080110-0001	Rubber Plug	1
53	90682-Z310110-00A0	Oil Seal, Ø35 x Ø52 x 7	2
54	37050-Z010410-0001	Diode Assembly, Blue White Zinc	1
55	51124-Z590110-0001	Mounting Bracket	1

#	Part Number	Description	Qty.
56	90684-Z010410-0001	Sheath, Wire	1
57	16061-Z100110-0000	Shaft, Governor Arm	1
58	90412-Z080210-0000	Washer, Ø8.4 x Ø19.5 x 0.8	1
59	90682-Z100210-0001	Oil Seal, Ø8 x Ø14 x 4	1
60	90501-Z010110-0001	Pin, Blue White Zinc	1
61	16012-Z080110-0000	Spring, Throttle Return	1
62	16062-Z100110-0001	Gouverneur Rod, Blue White Zinc	1
63	16070-Z100120-0001	Governor Support Subassembly, Blue White Zinc	1
64	16072-Z010110-0001	Governor Support Bolt, M6 x 21, Blue White Zinc	1
65	90305-0600-3101	Hexagon Flange Nut, M6, Blue White Zinc	1
66	16063-Z100710-0001	Governor Spring, Blue White Zinc	1
67	16520-Z101710-0001	Throttle Control Assembly, Blue White Zinc	1
68	90548-0202-00	Bearing	2
69	37060-Z080120-0000	Oil Level Sensor	1
70	90001-0616-01	Hexagon Flange Bolt, M6 x 16, Blue White Zinc	2
71	90305-Z010210-0101	Hexagon Flange Nut, M10, Blue White Zinc	1
72	13300-Z101410-00A0	Crankshaft Assembly	1
73	14200-Z100320-00A9	Camshaft Assembly	1
74	13401-Z100110-00A0	balancing shaft	1
75	90502-0812-00	Pin, 8 x 12	2
76	11001-Z100120-0000	gasket, crankcase cover	1
77	90547-0207-00	Bearing	1
78	16400-Z100110-00A9	Governor Gear Assembly	1
79	11411-Z100511-0BA0	Crankcase Cover	1
80	15010-Z080130-L401	Oil Dipstick assembly, yellow	2
81	90001-0840-0101	Hexagon Flange Bolt, M8 x 40, Blue White Zinc	7
82	30400-Z590110-0001	Ignition Coil	1

#	Part Number	Description	Qty.
83	90001-0628-01	Hexagon Flange Bolt, M6 x 28, Blue White Zinc	2
84	13510-Z100120-00A0	Flywheel, Manual Start	1
85	19352-Z100120-00A2	Impeller	1
86	28002-Z100210-0000	Starter Pulley, Blue White Zinc	1
87	13501-Z080110-0000	Flywheel Nut, M6 x 1.5, Blue White Zinc	1
88	28110-Z590110-L400	Fan Cover, Yellow	1
89	90684-Z080110-0001	Clip	1
90	35555-Z810110-0000	Switch Connector Grounding Wire	1
91	35541-Z590110-0000	Stop Engine Connecting Wire	1
92	35540-Z010610-R901	Ignition Switch	1
93	28200-Z590210-H200	Recoil Assembly	1
94	90251-0608-03	Bolt, M6 x 8, Black Zinc	3
95	16620-Z590110-H2A0	Fuel Tank	1
96	37200-Z810310-0000	Fuel Gauge	1
97	16652-Z010810-0001	Fuel Strainer	1
98	16730-Z810110-0001	Fuel Tank Cap	1
99	15150-Z810110-0001	Valve, One Way	1
100	16805-Z310410-0001	Rubber Hose, Air Cleaner, Ø4.5 x Ø8.5 x 320	1
101	90685-Z080210-0001	Clamp, Ø9 x 0.8 x 8, Blue White Zinc	1
102	90001-0825-0101	Hexagon Flange Bolt, M8 x 25, Blue White Zinc	2
103	16680-Z010210-0000	Fuel Tank Oil Outlet	1
104	90740-Z010510-00A1	Clamp	1
105	90686-Z520110-00M1	Fuel Pipe, Ø4.5 x Ø8.5 x 240	1
106	30431-Z010110-0003	Rubber Jacket, Ø9.5 x Ø11 x 90, Black	1
107	90685-Z030610-01A1	Clip	1
108	16112-Z080110-0000	Seal Ring, Float	1
109	16161-Z153710-00A0	Main Jet, Standard	1
	16161-Z153510-00A0	Main Jet, Altitude 3000-6000 Feet	1
	16161-Z153310-00A0	Main Jet, Altitude 6000-8000 Feet	1
110	90681-Z010610-0000	Seal Ring	1

#	Part Number	Description	Qty.
111	12111-Z100110-0000	Inlet Valve	1
112	12121-Z100110-0000	Outlet Valve	1
113	QGT-R340P-001	"Cylinder Head Subassembly"	1
114	HYQ-R340P-002	"Carburetor Subassembly"	1