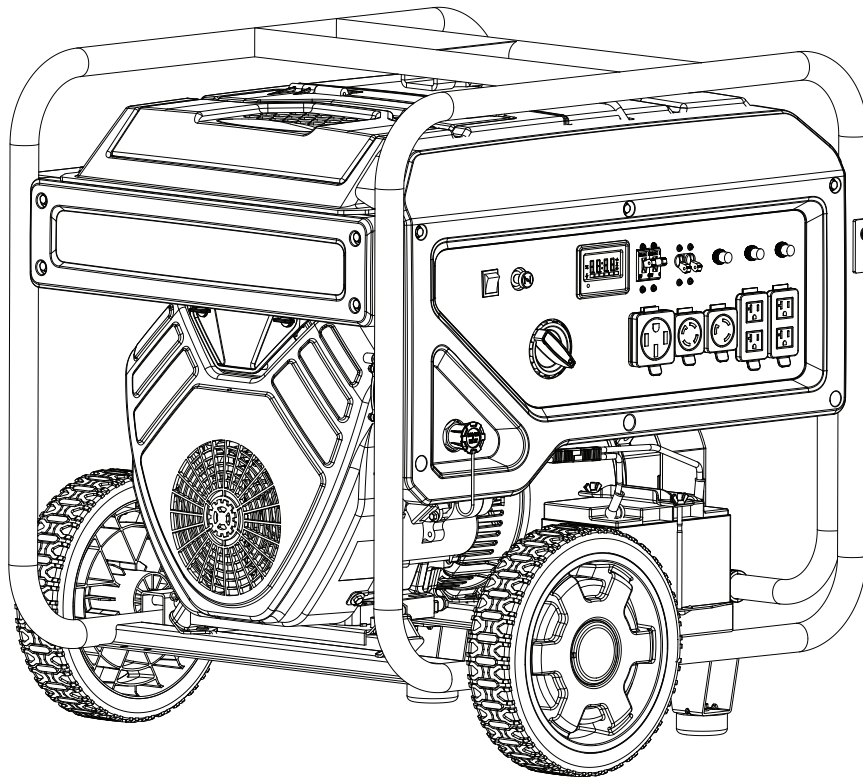


Champion Power Equipment, Inc.

**MODEL #201161**



## **PARTS INFORMATION**

**12,000W TRI-FUEL PORTABLE GENERATOR**

**SERIAL NUMBER RANGE: ALL**

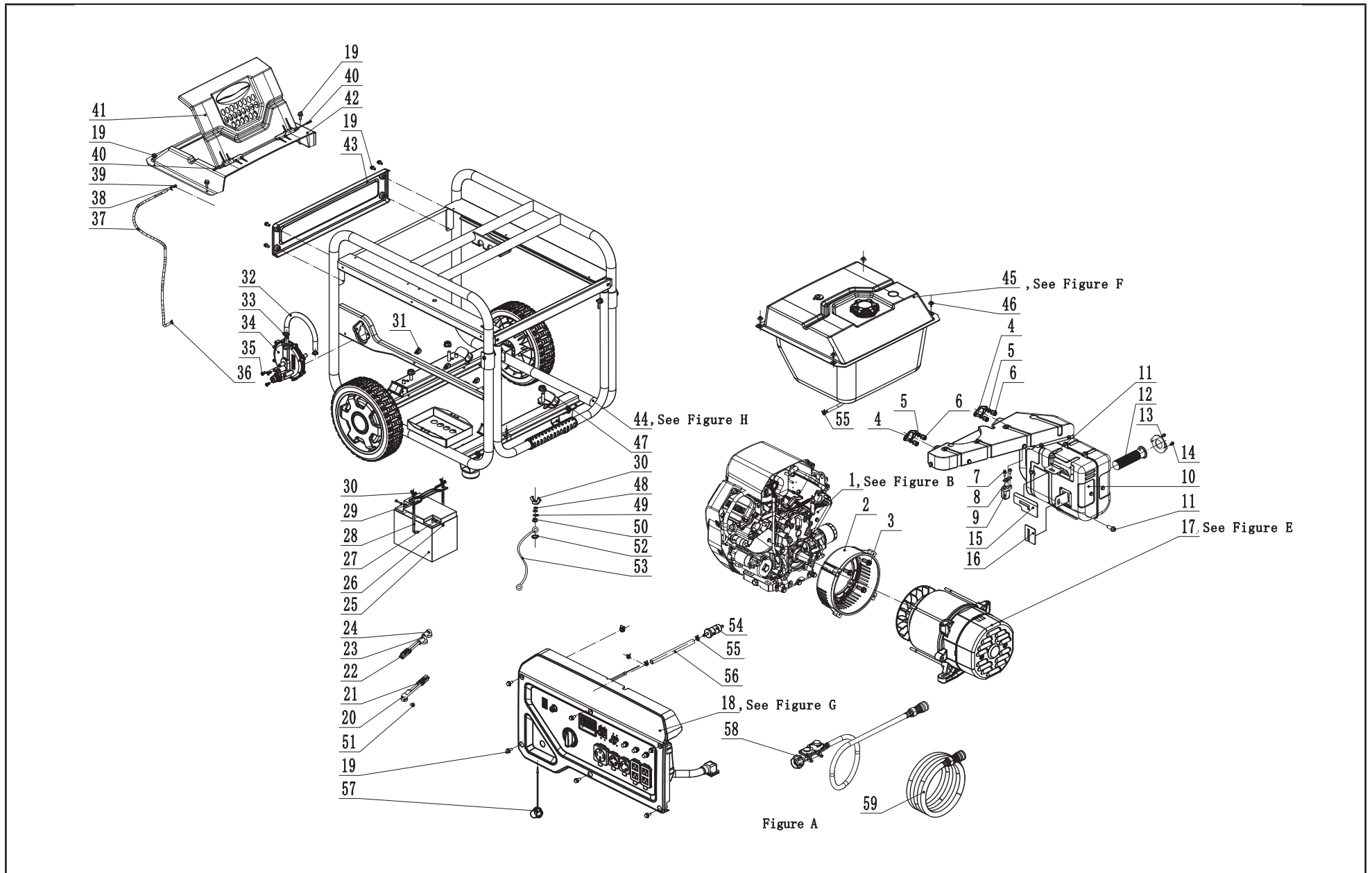


To order replacement parts please visit:  
**[shop.championpowerequipment.com](http://shop.championpowerequipment.com)**  
or call **1-877-338-0999**.

## **TABLE OF CONTENTS**

<b>Generator Parts Diagram</b> .....	<b>3</b>
<b>Generator Parts List</b> .....	<b>4</b>
<b>Engine Parts Diagram</b> .....	<b>5</b>
<b>Engine Parts List</b> .....	<b>6</b>
<b>Cylinder Head 1 Parts Diagram</b> .....	<b>9</b>
<b>Cylinder Head 1 Parts List</b> .....	<b>10</b>
<b>Cylinder Head 2 Parts Diagram</b> .....	<b>11</b>
<b>Cylinder Head 2 Parts List</b> .....	<b>12</b>
<b>Carburetor Parts Diagram</b> .....	<b>13</b>
<b>Carburetor Parts List</b> .....	<b>14</b>
<b>Alternator Parts Diagram</b> .....	<b>15</b>
<b>Alternator Parts List</b> .....	<b>16</b>
<b>Fuel Tank Parts Diagram</b> .....	<b>17</b>
<b>Fuel Tank Parts List</b> .....	<b>18</b>
<b>Control Panel Parts Diagram</b> .....	<b>19</b>
<b>Control Panel Parts List</b> .....	<b>20</b>
<b>Frame Assembly Parts Diagram</b> .....	<b>21</b>
<b>Frame Assembly Parts List</b> .....	<b>22</b>
<b>Wiring Diagram</b> .....	<b>23</b>

# GENERATOR PARTS DIAGRAM



## GENERATOR PARTS LIST

#	Part Number	Description	Qty.
1	717.691	Engine, See Figure B	1
2	172.190007.00	Crankcase Cover	1
3	1.5789.1022	Flange Bolt M10 x 22	4
4	717.100001.00	Gasket, Exhaust	2
5	1.93.08	Lock Washer Ø8	4
6	2.02.033	Nut M8	4
7	1.16674.0616	Flange Bolt M6 x 16	2
8	24.100300.03	Gasket, Secondary Air Intake Valve	1
9	717.100300.00	Secondary Air Intake Valve	1
10	717.101000.06.2	Muffler Assembly	1
11	1.16674.0820	Flange Bolt M8 x 20	2
12	717.101300.01	Spark Arrester	1
13	717.101503.01	Plate, Spark Arrester Retaining	1
14	1.9074.17.0612	Bolt/Washer Assembly M6 x 12	2
15	717.100005.01	Pad,Lower, Muffler Rubber Insulation	1
16	717.100005.02	Pad,Upper, Muffler Rubber Insulation	1
17	172.191000.06	Alternator, Cu, Ø230 x 160 mm, See Figure E	1
18	201161.21	Control Panel Assembly,See Figure G	1
19	1.5789.0615.1	Flange Bolt M6 x 15, Black	14
20	122.200013.01.3	Boot, Wire, Red	1
21	5.1900.164	Wire, To SAE Motor	1
22	5.1900.165	Wire, To SAE Battery	1
23	122.200013.04	Boot, Wire, Black	1
24	122.200013.04.3	Boot, Wire, Red	1
25	9.1000.330	Battery 12V33AH	1
26	1.16674.0512.2	Flange Bolt M5 x 12	2
27	1.6177.1.05	Lock Nut M5, Flange	2
28	152.200014.00	J-Bolt M6 x 150	2
29	172.200902.00.2	Bracket, Battery Retaining	1
30	1.62.06	Butterfly Nut M6	3

#	Part Number	Description	Qty.
31	2.05.057	Clamp Ø13.5 x 6.5	3
32	717.130021.01	Hose 300 mm	1
33	2.06.015	Clip Ø16-Ø25	3
34	161.136000.03	Pressure Reducing Valve	1
35	1.818.0614.1	Bolt M6 x 14, Black	3
36	2.06.004	Clamp Ø8 x Ø1	1
37	152.070014.04	Hose, Air Cleaner Vent, 670 mm	1
38	2.06.006	Clamp Ø7 x Ø1	1
39	24.070030.00	Orifice, Breather Tube	1
40	172.200509.00	Pin, Engine Cover Door	2
41	172.200505.00.48	Door, Engine Cover	1
42	172.200501.00.48	Cover, Engine	1
43	172.200800.01.2	Side Panel, Black	1
44	61190.201161	Frame Assembly, See Figure H	1
45	172.071000.00.48	Fuel Tank Assembly, Yellow, See Figure F	1
46	2.08.143.1	Flange Bolt/Washer Assembly M6 x 20, Black	4
47	1.6177.1.10	Flange Lock Nut M10	4
48	1.93.06	Lock Washer Ø6	1
49	1.97.1.06.2	Washer Ø6	2
50	1.6177.1.06	Lock Nut M6,Flange	1
51	1.5789.0612	Flange Bolt M6 x 12	1
52	1.862.06	Lock Washer Ø6, Toothed	2
53	5.1900.172	Grounding Line 200 mm	1
54	717.070500.00	Fuel Filter	1
55	2.06.018	Clamp Ø10.5 x b8	4
56	172.070011.02	Hose, Fuel Valve to Carburator, 530mm	1
57	9.1500.009	Cover, Pressure Reducing Valve Inlet	1
58	172.070012.00	LPG Hose With Regulator 2M	1
59	172.070012.01	Natural Gas Hose 25 ft.	1

# ENGINE PARTS DIAGRAM

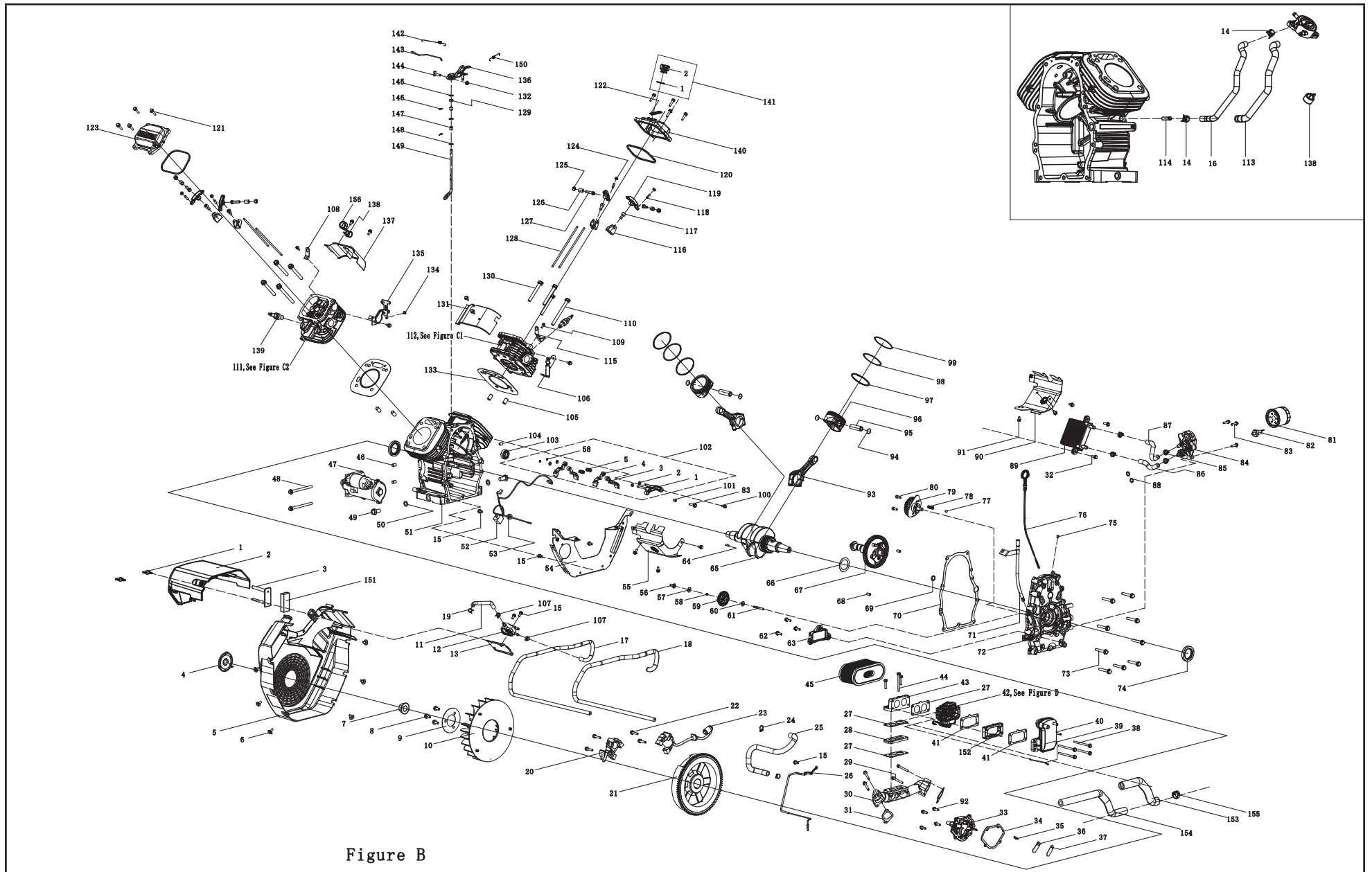


Figure B

**ENGINE PARTS LIST**

#	Part Number	Description	Qty.
1	717.091500.00	Fastener, AC Cover	2
2	717.090014.05	Cover, Air Filter	1
3	717.091001.00	Retainer, AC Filter, 60 mm	1
4	101747	Insert, Fan Cover Logo	1
5	717.080100.07	Cover, Fan & Flywheel	1
6	2.08.083	Bolt, Hex Flange M6 x12	6
7	1.6177.20	Nut, M20 x 1.5 Flange	1
8	1.5789.0816	Hex Flange Bolt, M8 x 16	3
9	61.080005.00	Plate, Fan Mounting	1
10	717.080001.00	Fan, Cooling	1
11	717.070011.00	Hose, Fuel	1
12	82.073000.00	Pump, Fuel	1
13	717.070004.00	Bracket, Fuel Pump Mounting	1
14	2.06.027	Hose Clamp, Ø12 x b8	2
15	1.5789.0612	Hex Flange Bolt, M6 x 12	16
16	101350	Hose, Pulse Line	1
17	717.070011.01	Hose, Fuel Line, 690 mm	1
18	717.070017.03	Protective Sleeve, Fuel Hose, 670 mm	1
19	2.06.018	Hose Clamp, Ø10.5 x B8	1
20	717.123000.05	Ignition Coil, Cylinder 1, EMC	1
21	100922	Flywheel Assembly	1
22	1.5789.0629	Hex Flange Bolt, M6 x 29	6
23	717.123000.06	Ignition Coil, Cylinder 2, EMC	1
24	2.06.009	Clamp, Ø17 x Ø1.5	2
25	717.030019.00	Tube, Breather	1
26	717.134101.02	Jumper Wire Assy, Solenoid	1
27	100258	Gasket, Carburetor	3
28	61.130001.00	Insulator, Carburetor	1
29	1.16674.0640	Hex Small Flange Bolt, M6 x 40	4
30	717.130012.00	Intake Manifold	1

#	Part Number	Description	Qty.
31	717.130011.00	Gasket, Intake Manifold	2
32	1.5789.0620	Hex Flange Bolt, M6 x 20	2
33	100486	Cover, Breather	1
34	100504	Gasket, Breather Cover	1
35	1.823.0410	Screw, Small Pan Head M4 x 10	2
36	101767	Retainer, Reed Valve	1
37	100693	Reed Valve	1
38	1.5789.0698	Hex Flange Bolt M6 x 98	4
39	717.110009.00	Link, Choke	1
40	100539	Elbow, AC Intake	1
41	717.090005.00	Gasket, AC Elbow	2
42	717.131000.01	Carburetor Assy, See Figure D	1
43	61.130013.00	Elbow, Intake Manifold	1
44	1.5789.0665	Hex Flange Bolt, M6 x 65	1
45	100275	Air Filter	1
46	100829	Pin, Dowel Ø10 x 14	2
47	61.125000.00	Starter Motor	1
48	1.16674.08110	Hex Small Flange Bolt, M8 x 110	2
49	2.08.039	Bolt, Drain, M12 x 1.5 x 15	2
50	2.03.023	Washer, Drain Bolt, Ø12.5 x Ø20 x 2	2
51	102196	Crankcase	1
52	717.120800.00	Diode Assembly, Engine Stop	1
53	2.12.004	Grommet Ø9.5 x 10	1
54	100470	Air Guide, Oil Cooler	1
55	717.080500.01	Air Guide, Outer Cylinder 1 Assembly	1
56	45.110012.00	Bushing, Governor Gear	1
57	2.03.053	Washer, Ø6.2 x Ø17 x 0.8	1
58	21.110011.00	Clip, Retaining	3
59	61.110100.00	Gear Assy, Governor	1
60	2.03.054	Washer, Ø6.2 x Ø15 x 1	1

#	Part Number	Description	Qty.
61	45.110013.00	Shaft, Governor Gear	1
62	1.5789.0620	Hex Flange Bolt, M6 x 20	3
63	61.150300.00	Oil Filter Component	1
64	2.14.005	Key, Flywheel, 4 x 5.5 x 12.5	1
65	717.051101.04	Assembly, Crankshaft - Taper Pto	1
66	2.03.026	Washer, Crankshaft Thrust, Ø39 x Ø54 x 1.2	1
67	101454	Camshaft Assembly	1
68	2.04.002	Location Pin Ø8 x 14	2
69	100596	O-Ring Ø12 x Ø3.5	1
70	100261	Gasket, Crankcase Cover	1
71	100726	Tube, Oil Dipstick Assembly	1
72	100268	Cover, Crankcase	1
73	1.5789.0850	Hex Flange Bolt, M8 x 50	9
74	2.11.010	Seal, Pto Oil, Ø38 x Ø58 x 9	2
75	61.030011.00	Plug, Crankcase Cover	1
76	100699	Blade Assembly, Oil Dipstick	1
77	1.308.9.5	Ball Ø9.5, Steel Check Valve	1
78	61.150004.00	Spring, Compression	1
79	61.151000.00	Pump Assembly, Oil	1
80	1.70.0616	Screw, M6 x 16, Socket Head Cap	2
81	100916	Filter, Oil	1
82	102446	Switch, Low Oil Shut-Down 0.6 Bar	1
83	1.16674.0625	Hex Small Flange Bolt, M6 x 25	4
84	101719	Base, Oil Filter With Oil Cooler And Oil Pressure Switch	1
85	100847	Clamp Ø17, Oil Hose	4
86	100942	Hose 2, Oil Line	1
87	100941	Hose 1, Oil Line	1
88	2.07.004	O-Ring Ø12 x Ø2.5	2
89	101723	Oil Cooler	1
90	717.080600.01	Air Guide, Outer, Cylinder 2 Assembly	1
91	1.5789.0608	Hex Flange Bolt, M6 x 8	2

#	Part Number	Description	Qty.	
92	1.16674.0620	Hex Small Flange Bolt, M6 x 20	4	
93	717.050200.00	Connecting Rod	2	
94	2.09.009	Retainer, Piston Pin, Ø17 x Ø1	4	
95	100968	Pin, Piston, Ø17 x 53.8 mm	2	
96	102024	Piston, 78 mm, 2.75 mm, Dish Ceramic Crown	2	
97	102289	Ring Assembly, Oil Control	2	
98	102286	Ring, Piston, 2nd	2	
99	102285	Ring, Top Piston	2	
100	1.16674.0616	Hex Small Flange Bolt, M6 x 16	1	
101	2.04.005	Pin, Ø8x10, Location	1	
102	101478	Follower Assembly, Camshaft	1	
	1	101475	Follower Pivot Assembly, Camshaft	1
	2	2.03.021.1	Washer, Governor Shaft, Ø6.4 x Ø13 x 1	4
	3	100485	Follower, Camshaft	2
	4	61.040019.01	Follower, Camshaft	2
	5	61.041001.00	Spring, Support	2
103	1.276.6003.1	Bearing, Roller Ø35 x Ø17 x 10	1	
104	717.030026.01	Plug, NPT 1/8-27 Hexagon Socket	1	
105	2.04.004	Pin, Ø12 x 20 Location	4	
106	100170	Bracket, Governor Spring	1	
107	2.06.054	Hose Clamp, Ø12.8	2	
108	717.010003.00	Bracket, Engine Lift, Cylinder 1	1	
109	1.16674.0820	Hex Small Flange Bolt, M8 x 20	2	
110	2.08.122	Bolt, Hex Flange M10 x 1.25	2	
111	717.010000.01	Cylinder Head Assembly 1, See Figure C 2	1	
112	717.010000.02	Cylinder Head Assembly 2, See Figure C 1	1	
113	101366	Protective Sleeve, Pulse Line	1	
114	101349	Tube, Pulse Line	1	
115	717.010003.01	Bracket, Engine Lift, Cylinder 2	1	
116	717.040202.00	Bracket, Rocker Arm	4	
117	1.70.1.0816	Screw, M8 x 16 Socket Head Cap	4	



#	Part Number	Description	Qty.
118	22.040012.00	Stud, Lash Adjusting	4
119	717.040200.02	Rocker Arm	4
120	101644	Gasket, Rocker Cover	2
122	101880	Clamp, 100 mm	1
123	102263	Rocker Cover	1
124	21.040021.00	Jam Nut, M6 x 0.5 mm Pitch	4
125	1.6170.08	Hex Nut, Gb6170, M8	4
126	717.040016.00	Sleeve, Rocker Arm	4
127	2.08.086	Bolt, M8 x 1.25 Hhw Special	4
128	717.040005.00	Push Rod	4
129	2.11.006	Shaft Oil Seal, Ø7 x Ø14 x 5	1
130	2.08.014	Bolt, Hex Flange M10 x 80	6
131	717.080300.02	Air Guide Assembly, Inner Cyl #2	1
132	1.6177.06	Nut, M6 Hexagon Flange	1
133	717.030009.00	Gasket Assembly, Cylinder Head	2
134	45.135001.20	Clip, Clevis	1
135	717.111100.00	Choke Control Assembly, Bowden Wire	1
136	100178	Lever, Governor Arm	1
137	717.080300.01	Air Guide, Inner Cylinder 1 Assy	1
138	100270	Clamp Ø17, Breather Tube	2
139	2.15.008	Spark Plug, F7RTC	2
140	102261	Rocker Cover with Oil Fill	1
141	102357	Cap, Oil Fill Assembly	1
	1 2.07.001	Seal, Cap Oil Fill, Ø25.5 x Ø3.5	1
	2 101813	Cap, Oil Fill	1
142	102427	Spring, Link Take Up	1
143	100329	Link, Governor	1
144	2.08.107	Bolt, Governor Arm	1
145	2.03.019	Washer, Ø8.2 x Ø17 x 0.8	1
146	61.110008.00	Pin, Shaft	2
147	1.5801.0810	Bearing, Roller	2
148	1.97.1.08	Washer Ø8	2

#	Part Number	Description	Qty.
149	61.110001.00	Shaft, Governor	1
150	100432	Spring, Governor	1
151	717.090017.00	Filter element fixed sponge	1
152	717.090016.00	Spacer, Air Filter Elbow	1
153	717.070017.05	Protective Sleeve	1
154	717.070012.00	Hose Gaseous Fuel, Ø12 x 250mm	1
155	2.06.035	Clamp Ø23.5, Oil Hose	1
156	2.06.057	Clamp Ø22, Breather Tube	1



## CYLINDER HEAD 1 PARTS DIAGRAM

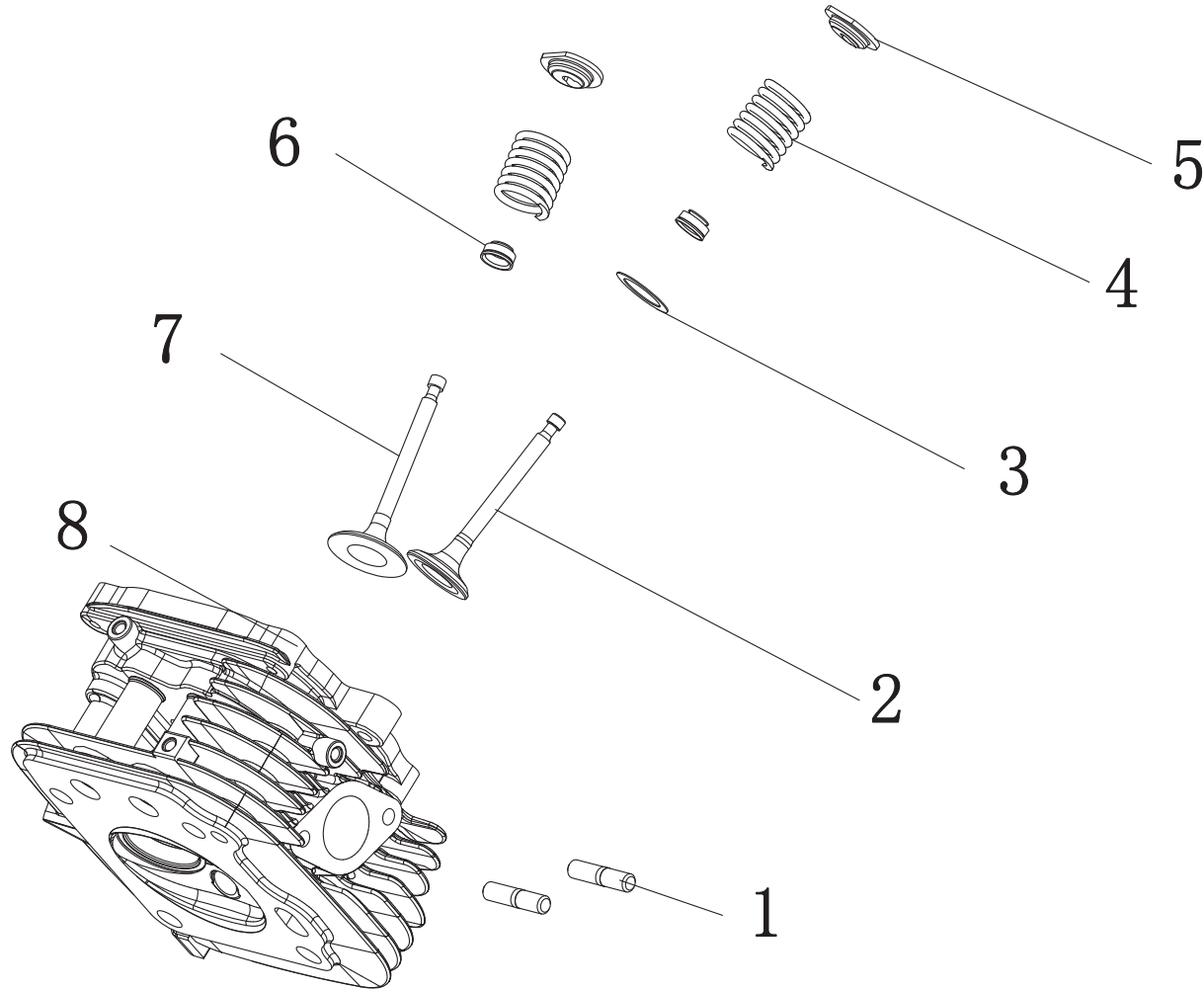


Figure C1

**CYLINDER HEAD 1 PARTS LIST**

#	Part Number	Description	Qty.
1	2.01.010	Bolt M8 x 35, Exhaust Stud	2
2	717.040006.00	Valve, Exhaust	1
3	717.040015.00	Shim, Valve Spring	1
4	45.040003.00	Spring, Valve	2
5	45.040001.00	Retainer, Intake Valve	2
6	717.040017.00	Oil Seal, Valve Stem	2
7	45.040002.00	Valve, Intake	1
8	717.010100.22	Head Assembly, Cylinder 2	1

## CYLINDER HEAD 2 PARTS DIAGRAM

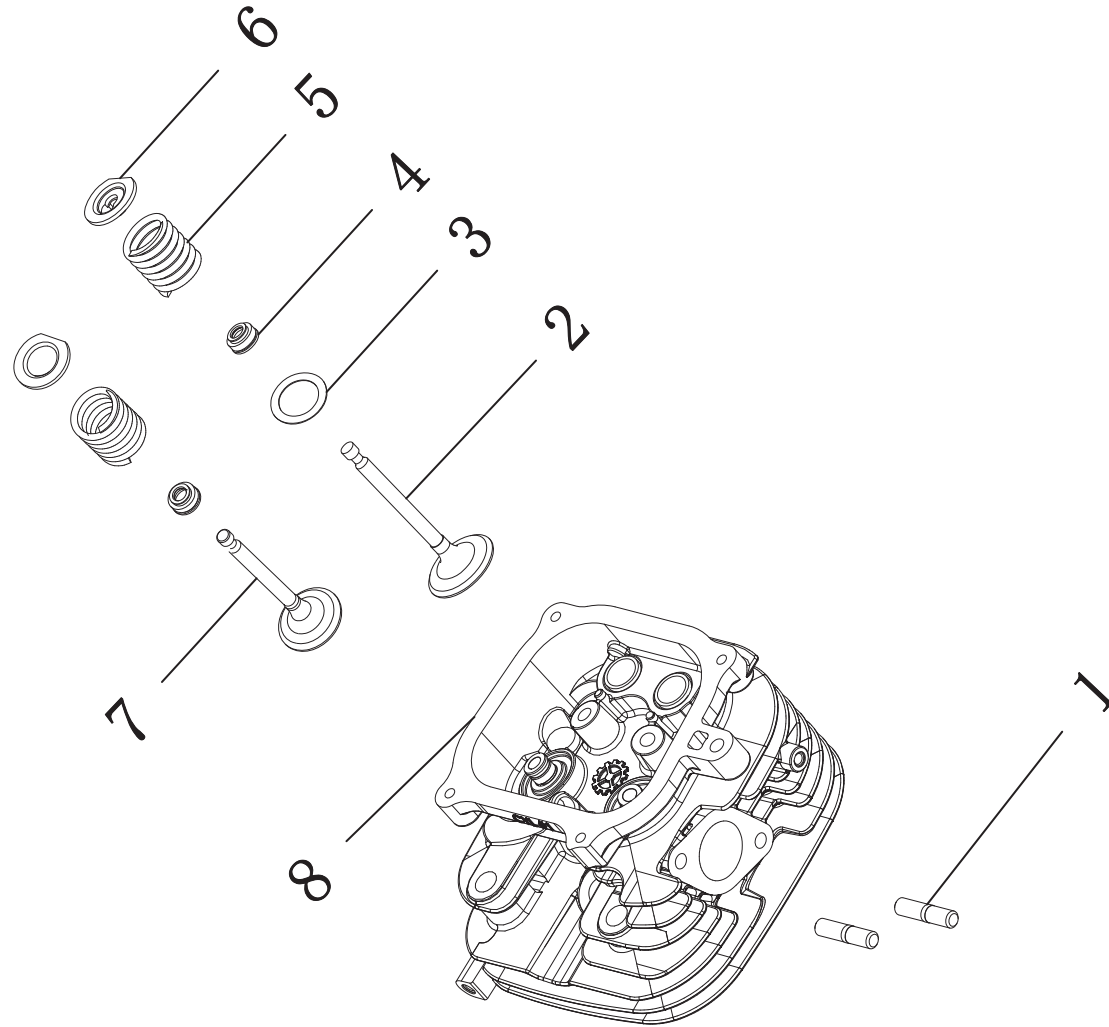


Figure C2

**CYLINDER HEAD 2 PARTS LIST**

#	Part Number	Description	Qty.
1	2.01.010	Bolt M8 x 35, Exhaust Stud	2
2	717.040006.00	Valve, Exhaust	1
3	717.040015.00	Shim, Valve Spring	1
4	717.040017.00	Oil Seal, Valve Stem	2
5	45.040003.00	Spring, Valve	2
6	45.040001.00	Retainer, Intake Valve	2
7	45.040002.00	Valve, Intake	1
8	717.010100.21	Head Assembly, Cylinder 1	1

# CARBURETOR PARTS DIAGRAM

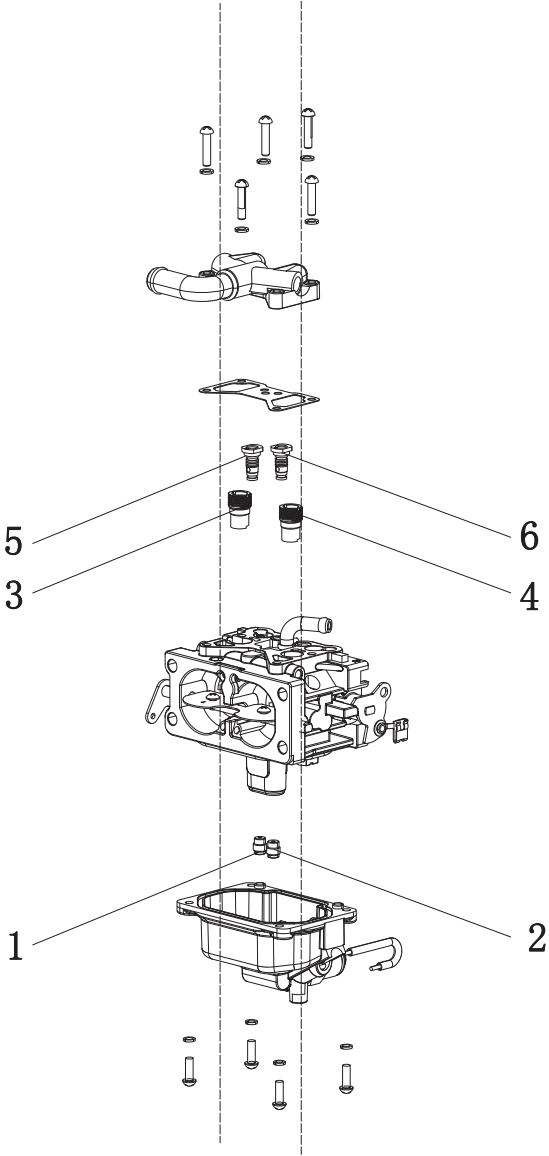


Figure D

**CARBURETOR PARTS LIST**

#	Part Number	Description	Qty.
1	717.131017.00.98	Main Jet Compl (#98/gasoline) - Left	1
	717.131017.00.96	Main Jet Compl (#96/gasoline), High Altitude - Left	1
2	717.131017.00.96	Main Jet Compl (#96/gasoline) - Right	1
	717.131017.00.94	Main Jet Compl (#94/gasoline), High Altitude - Right	1
3	717.131017.20.44	Main Jet Compl (#440) - Left	1
	717.131017.20.42	Main Jet Compl (#420), High Altitude - Left	1
4	717.131017.20.43	Main Jet Compl (#430) -Right	1
	717.131017.20.41	Main Jet Compl (#410), High Altitude - Right	1
5	717.131034.00.48	Idling Jet Compl (#48/gasoline) - Left	1
6	717.131034.00.48	Idling Jet Compl (#48/gasoline) - Right	1

# ALTERNATOR PARTS DIAGRAM

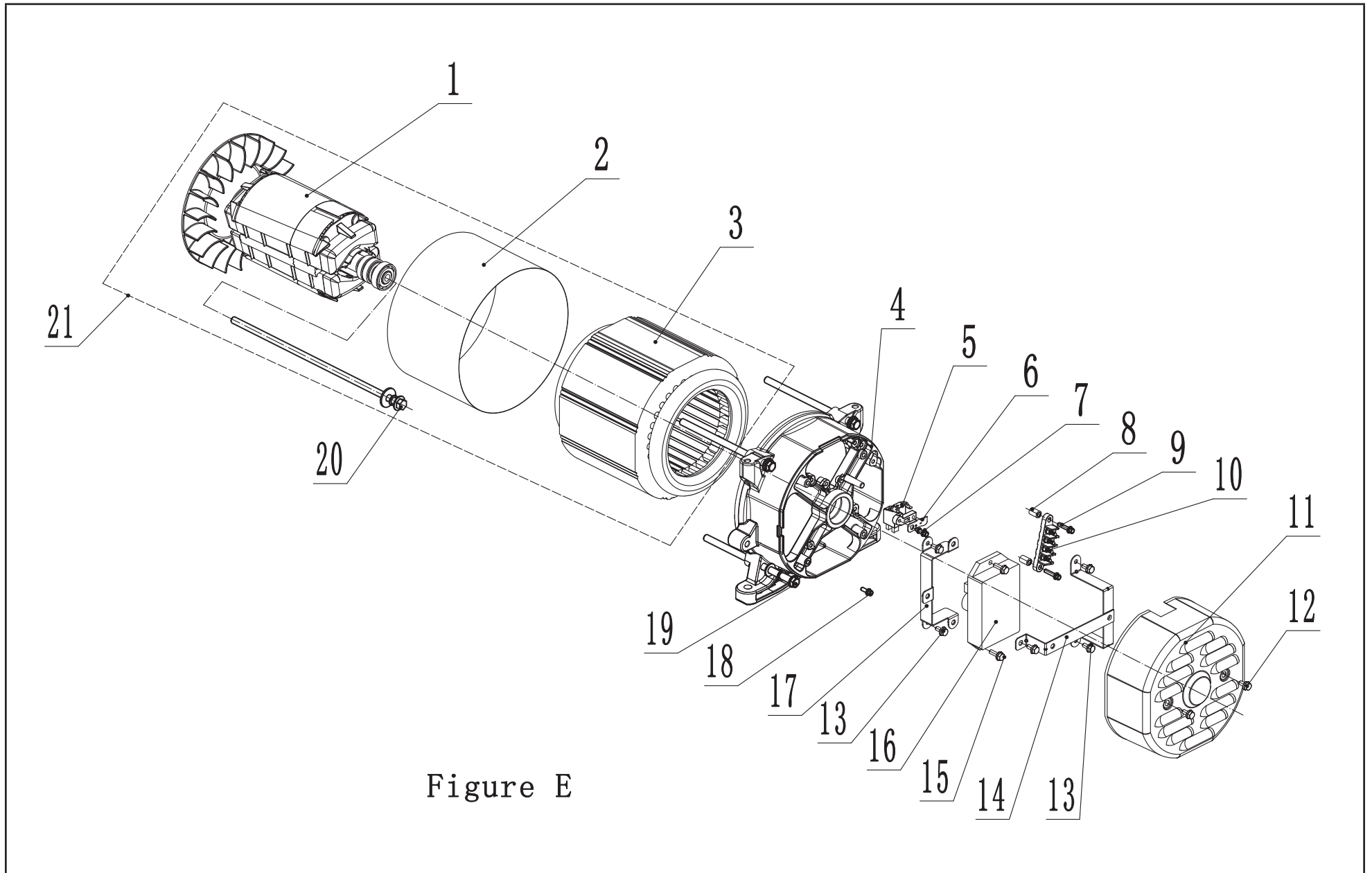


Figure E



**ALTERNATOR PARTS LIST**

#	Part Number	Description	Qty.
1	172.191100.00	Rotor Assembly, Cu, Ø230 x 160 mm	1
2	172.191002.00	Cover, Stator	1
3	172.191200.06	Stator Assembly, Cu, Ø230 x 160 mm	1
4	172.190002.00	End Housing	1
5	161.190300.00	Carbon Brush Assembly	1
6	122.190004.01	Retainer, Carbon Brush	1
7	1.9074.15.0520	Bolt/Washer Assembly M5 x 20	1
8	2.13.030	Bush, Ø6 x Ø14 x 15	2
9	1.16674.0516	Flange Bolt M5 x 16	2
10	172.190400.00	Terminal Block	1
11	172.190003.00.48	Cover, End Housing, Yellow	1
12	1.5789.0610	Flange Bolt M6 x 10	2
13	1.5789.0612	Flange Bolt M6 x 12	5
14	172.190202.00	Bracket, End Housing Cover Mounting	1
15	1.5789.0615	Flange Bolt M6 x 15	2
16	172.190200.00	AVR	1
17	172.190202.01	Bracket, AVR Mounting	1
18	1.16674.0516	Flange Bolt M5 x 16	1
19	2.08.112	Flange Bolt M8 x 210	4
20	2.08.129	Flange Bolt M10 x 320	1
21	172.191000.06	Alternator Assembly,Cu, Ø230 x 160 mm, DC 12V	1

## FUEL TANK PARTS DIAGRAM

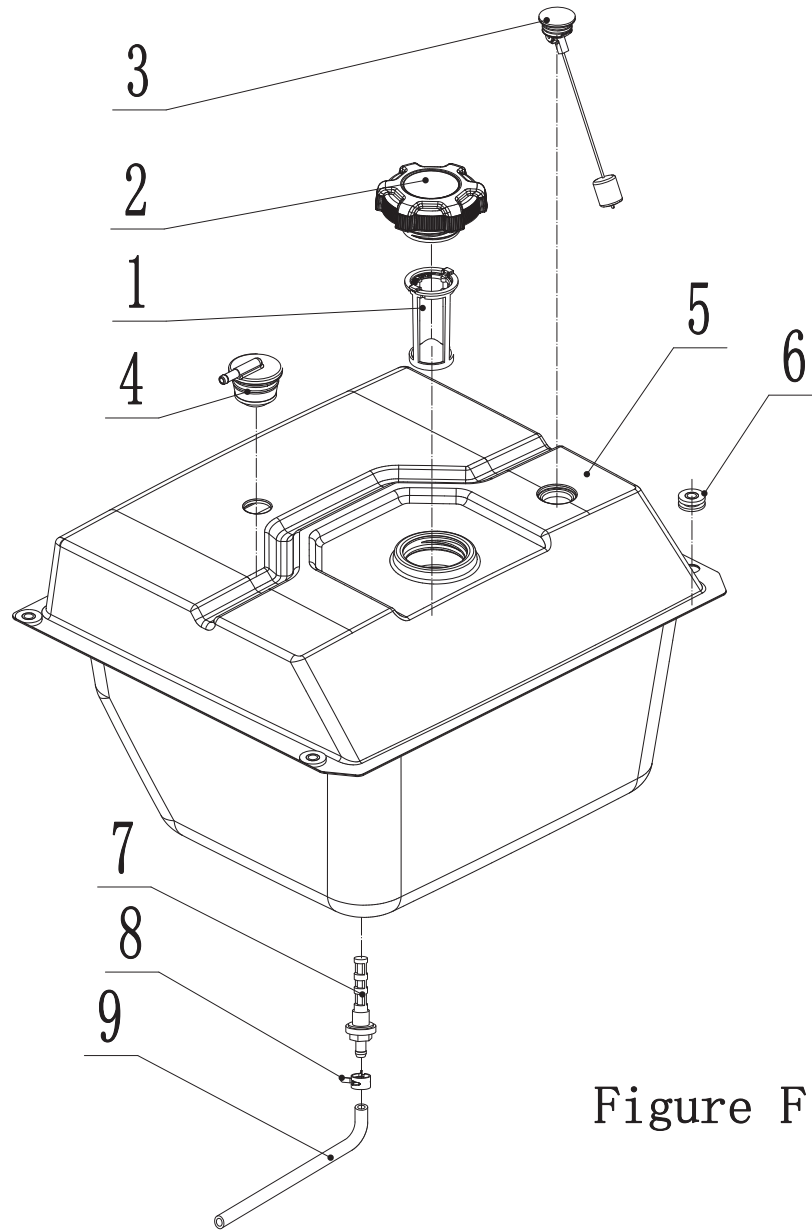


Figure F

**FUEL TANK PARTS LIST**

#	Part Number	Description	Qty.
1	122.070300.03	Filter, Fuel	1
2	122.070100.09	Fuel Tank Cap	1
3	172.072000.01	Fuel Gauge	1
4	152.070800.00	Reversal Valve	1
5	172.071000.00.48	Fuel Tank, 41.2L, Yellow	1
6	122.070015.01	Mount Vibration, Fuel Tank	4
7	63.070600.00	Fitting, Fuel Tank with Filter	1
8	2.06.018	Clamp Ø10.5 x b8	1
9	172.070011.01	Fuel Tube, 65 mm	1

# CONTROL PANEL PARTS DIAGRAM

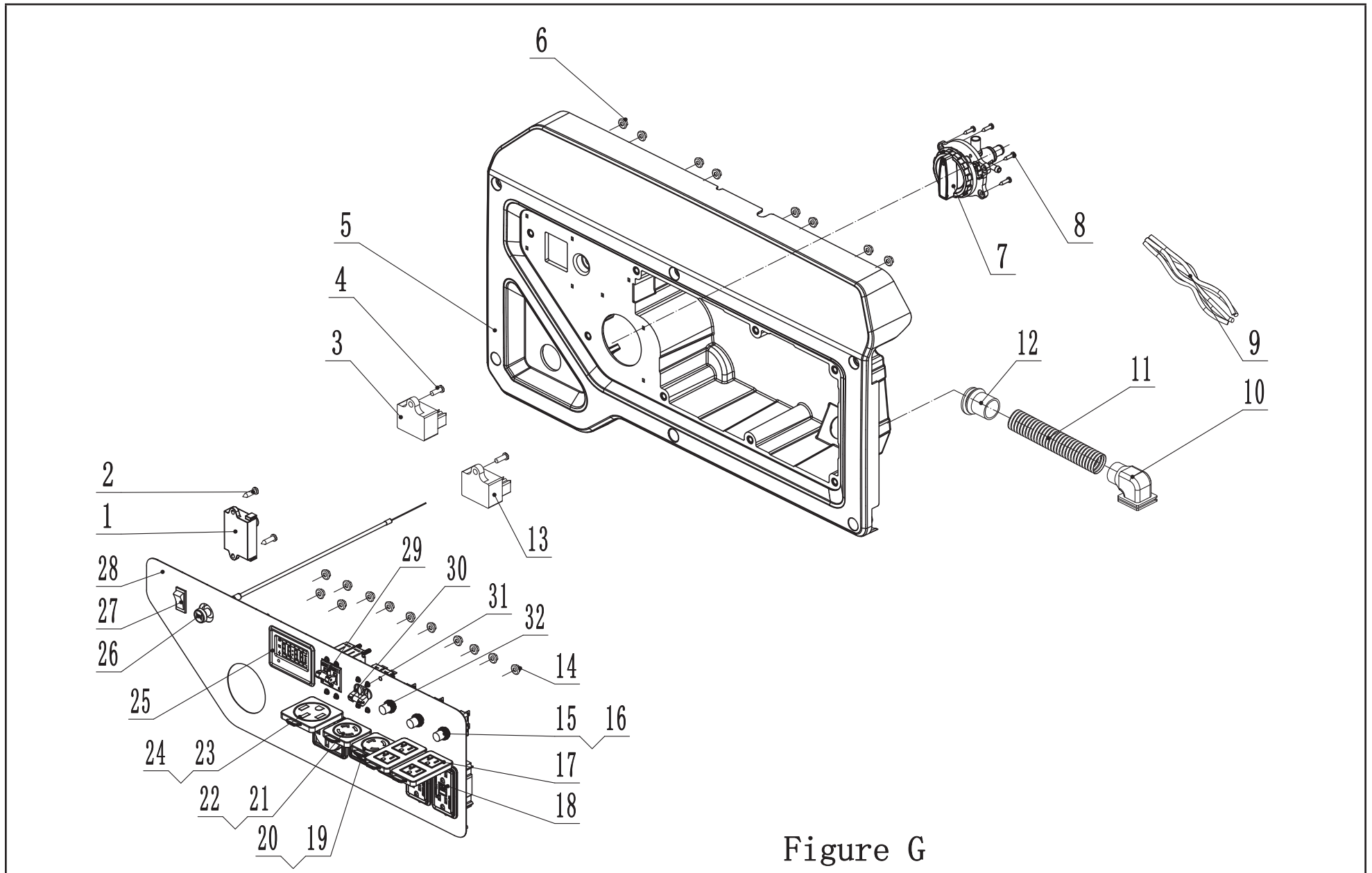


Figure G

**CONTROL PANEL PARTS LIST**

#	Part Number	Description	Qty.
1	5.1830.026	Module, CO Shutdown	1
2	1.845.4216	Screw, ST4.2 x 16	2
3	5.1810.008	Over Voltage Protector, CSA	1
4	1.818.0514.2	Screw M5 x 14	2
5	172.210002.02	Control Panel Housing, CSA	1
6	1.6177.1.05	Lock Nut M5, Flange, Black	8
7	172.070400.02	Knob Assembly	1
8	1.845.4816	Screw, ST4.8 x 16	4
9	201161.21.10	Wire Harness	1
10	172.210003.02	Rubber Grommet, End Housing Cover	1
11	5.1320.024	Plastic Sleeve, Wire	1
12	152.210003.03	Rubber Grommet, Control Panel Housing	1
13	5.1820.009	Charger, Battery	1
14	1.6177.1.04.1	Lock Nut M4, Flange, Black	12
15	5.1210.920	20Amp Circuit Breaker, Push Button, CSA	2
16	5.1870.014	Circuit Breaker Cover, Push Button	3
17	5.1870.022	Receptacle Cover, Receptacle 5-20R, Duplex GFCI	2
18	5.1120.050	Receptacle 5-20R, Duplex GFCI	2
19	5.1120.023	Receptacle L5-30R, CSA	1
20	5.1870.023	Receptacle Cover,Receptacle L5-30R	1
21	5.1120.026	Receptacle L14-30R, CSA	1
22	5.1870.020	Receptacle Cover,Receptacle L14-30R	1
23	5.1120.044	Receptacle 14-50R, CSA	1
24	5.1870.024	Receptacle Cover,Receptacle L14-30R	1
25	5.1470.006	Intelligauge	1
26	85.130300.01	Pull Choke Assembly	1
27	5.1000.005.3	Engine Switch, Red	1
28	172.289.2.2	Control Panel	1
29	5.1241.950	50Amp Circuit Breaker, Double Pole, CSA	1

#	Part Number	Description	Qty.
30	5.1240.930	30Amp Circuit Breaker, Double Pole, CSA	1
31	1.9074.4.0306.1	Screw/Washer Assembly M3 x 6, Black	8
32	5.1210.930	30Amp Circuit Breaker, Push Button, CSA	1

# FRAME ASSEMBLY PARTS DIAGRAM

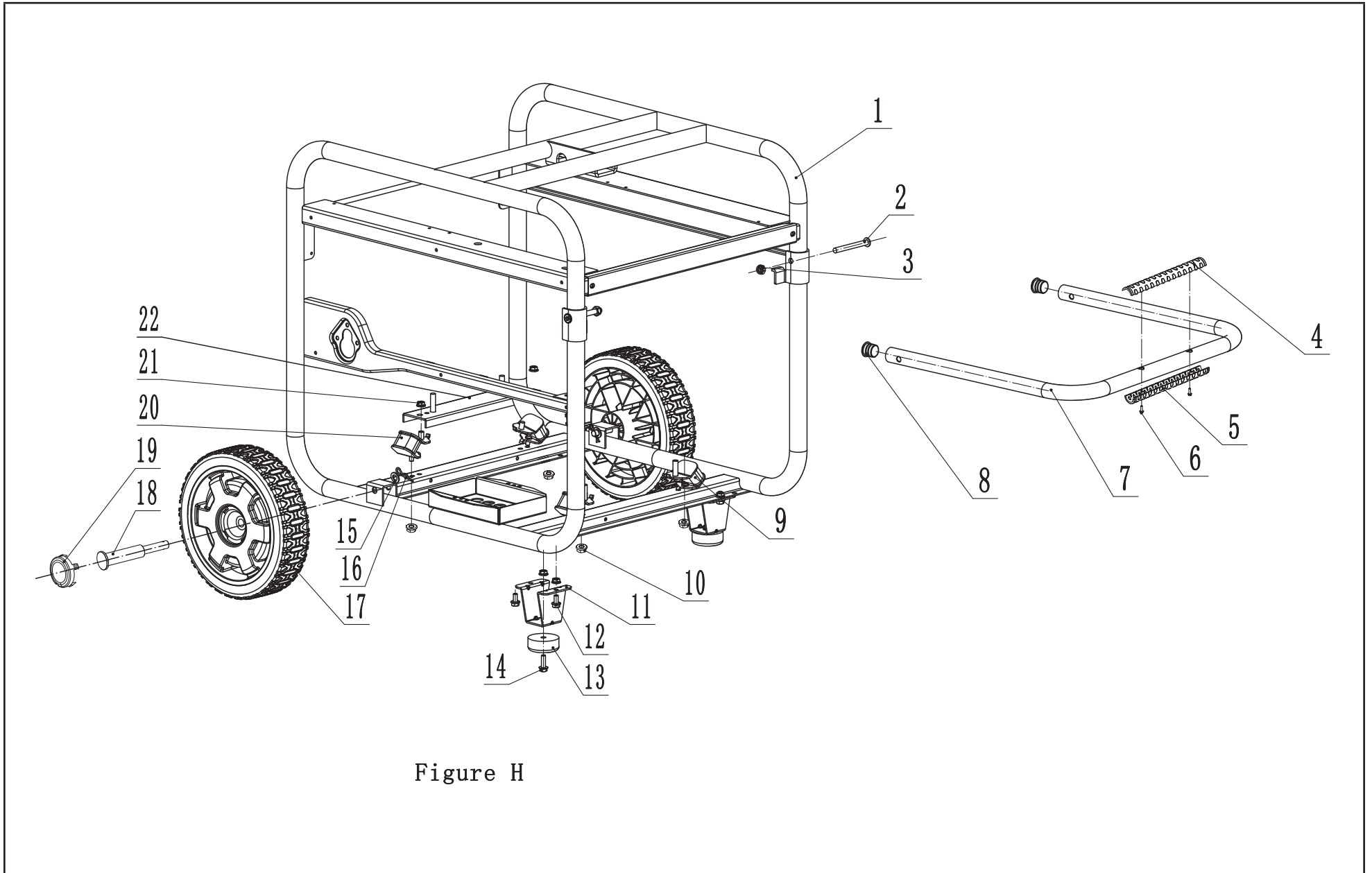


Figure H

**FRAME ASSEMBLY PARTS LIST**

#	Part Number	Description	Qty.
1	61190.0.2	Frame, 830 x 675.5 x 735	1
2	2.08.191.1	Bolt M10 x 90, Black	2
3	1.6182.10.1	Lock Nut M10 x 1.5, Black	2
4	172.200702.02.48	Cover, Handle, Lower, Yellow	1
5	172.200702.01.48	Cover, Handle, Upper, Yellow	1
6	1.9074.4.0414.1	Screw/Washer Assembly M4 x 14, Black	2
7	172.200701.01.2	Handle, U Shape, Black	1
8	171.201001.01	Bulk, Head	2
9	171.201200.01	Motor Mount 2	2
10	1.6177.1.08	Lock Nut M8, Flange	9
11	172.200002.00.2	Support Leg	2
12	1.5789.0816	Flange Bolt M8 x 16	4
13	152.201400.00	Rubber, Support	2
14	1.5789.0825	Flange Bolt M8 x 25	2
15	1.848.12.1	Washer Ø12, Black	2
16	2.16.001.1	Pin Ø2 x 33, "R" Shape, Black	2
17	172.201701.01.48	12 in. Wheel, PU, Yellow	2
18	172.201501.00.1	Pin Roll, Wheel, Ø16 x Ø12 x 116, Black	2
19	254.201702.04.48	Wheel Cover, Tooth Profile 12 in, Yellow	2
20	172.201200.00	Motor Mount 1	2
21	1.6177.1.10	Flange Lock Nut M10	2
22	172.201600.00.2	Bracket, Engine Support	1



# WIRING DIAGRAM

