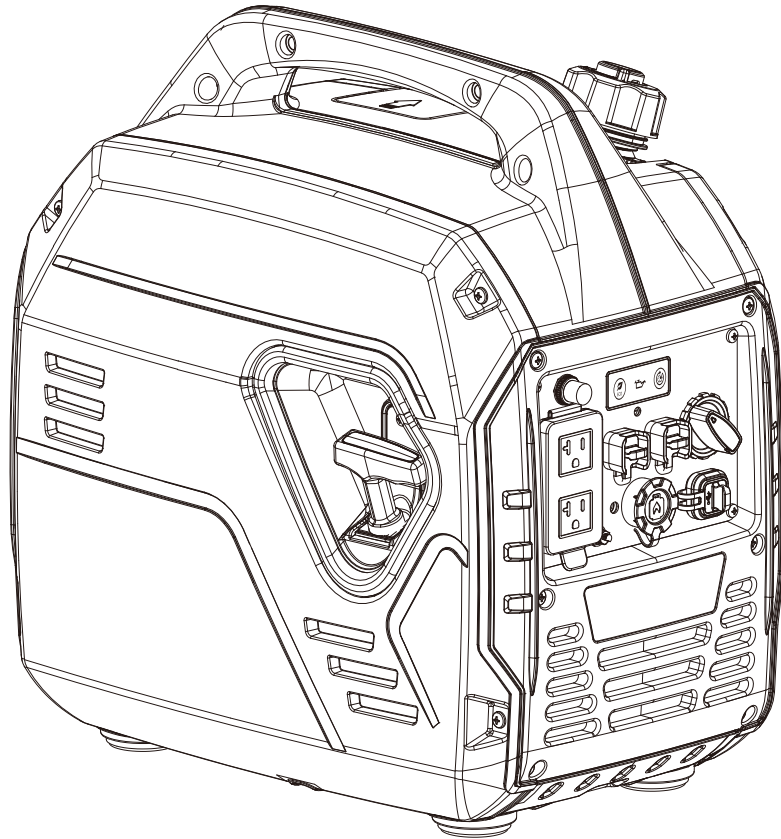


Champion Power Equipment, Inc., Santa Fe Springs, CA USA

**MODEL #201230**



## **PARTS INFORMATION**

**2000W DUAL FUEL INVERTER GENERATOR**

**SERIAL NUMBER RANGE: ALL**

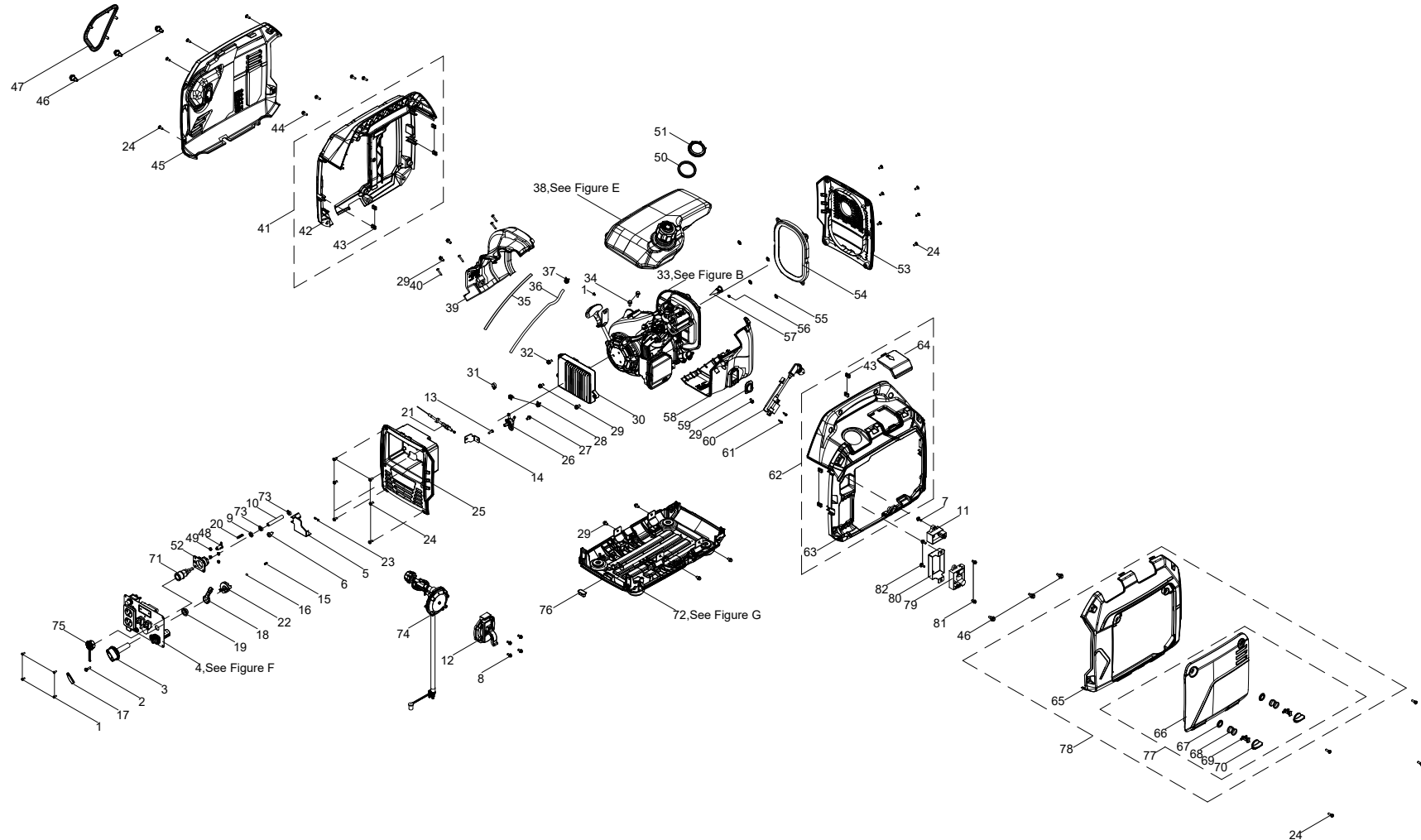


To order replacement parts please visit:  
**[shop.championpowerequipment.com](http://shop.championpowerequipment.com)**  
or call **1-877-338-0999**.

## **TABLE OF CONTENTS**

<b>Inverter Generator Parts Diagram</b> .....	<b>3</b>
<b>Inverter Generator Parts List</b> .....	<b>4</b>
<b>Engine Parts Diagram</b> .....	<b>6</b>
<b>Engine Parts List</b> .....	<b>7</b>
<b>Cylinder Head Parts Diagram</b> .....	<b>8</b>
<b>Cylinder Head Parts List</b> .....	<b>9</b>
<b>Carburetor Parts Diagram</b> .....	<b>10</b>
<b>Carburetor Parts List</b> .....	<b>11</b>
<b>Fuel Tank Parts Diagram</b> .....	<b>12</b>
<b>Fuel Tank Parts List</b> .....	<b>13</b>
<b>Control Panel Parts Diagram</b> .....	<b>14</b>
<b>Control Panel Parts List</b> .....	<b>15</b>
<b>Base Kit Parts Diagram</b> .....	<b>16</b>
<b>Base Kit Parts List</b> .....	<b>17</b>
<b>Wiring Diagram</b> .....	<b>18</b>

# INVERTER GENERATOR PARTS DIAGRAM



# Figure A

## INVERTER GENERATOR PARTS LIST

#	Part Number	Description	Qty.
1	100010946-0001	Screw M4 x 10	5
2	100137684-0003	Bolt M4 x 16	1
3	100715787	Fuel Valve Lever	1
4	100763125	Panel Assembly	1
5	100714558	Wire Stop Block	1
6	100011001-0004	Self-tapping Screw ST4.2 x 10	1
7	100011264-0003	Flange Bolt M6 x 16	1
8	100011570-0007	Big Flange Bolt M6 x 12, GB16674	4
9	100160807	Nut M10	1
10	100160808	Gas Hose	1
11	100715460	Fuel Solenoid Valve Controller	1
12	100715007	Mounting Cover, Gas Pressure Valve	1
13	100032967-0004	Self-tapping Screw ST4.2 x 16	1
14	100714544	Mounting Plate, Recoil Cord	1
15	100098271	Switch Spring	1
16	100099173	Steel Ball	1
17	100715786-0001	Cover, Fuel Switch Handle	1
18	100714543	Swing Arm	1
19	100714542	Block, Swing Arm	1
20	100157221	Spring, Mounting Seat	1
21	100714541	Cable	1
22	100712960	Switch Block	1
23	100091757	Circlip, Bearing Holder, Ø1.8 x Ø6	2
24	100081995	Step Bolt	20
25	100727920-0001	Front Panel, Black	1
26	100141146	Fuel Valve, Angle 45°	1
27	100011571-0001	Big Flange Bolt M6 x 14	1
28	100005149	Clamp 1, Ø7.5	2
29	100011570-0001	Big Flange Bolt M6 x 12	9
30	100763126	Inverter, 120V 60Hz	1

#	Part Number	Description	Qty.
31	100000671	Clip Ø13	1
32	100011249-0003	Bolt M5 x 12	1
33	1ZC7DC019	Engine 79cc	1
34	100033099-0006	Big Flange Bolt M6 x 18	2
35	100131884	Tube Sheath, Silicon Resin	1
36	100131883	Fuel Tube, L=275mm	1
37	100090871	Clamp 2, Ø9.7 x 8	1
38	100731655	Fuel Tank Assembly, See Figure E	1
39	100072874	Rear Air Guide	1
40	100011004-0001	Self-tapping Screw ST4.2 x 25	4
41	100711008-0001	Housing Assembly, Left Handle, Black	1
42	100715540-0001	Housing, Left Handle, Black	1
43	100050562	Threaded Clamp	8
44	100033079-0003	Screw M5 x 16	4
45	100763129	Left Cover Board	1
46	100081994	Shaft Locating Bolt	6
47	100092446	Deco Trim, Recoil	1
48	100157217	Sliding Block, Mounting Seat	1
49	100011065-0002	Nut M4	4
50	100073150	Rubber Washer	1
51	100008887	Lock Nut	1
52	100157218	Mounting Seat, Self-locking Quick Connector	1
53	100727921-0001	Rear Panel, Muffler, Black	1
54	100072722	O-ring Seal	1
55	100087972	Retainer Ring	4
56	100011000-0001	Self-tapping Screw ST4.2 x 9.5	1
57	100085794	Spark Arrester Assembly	1
58	100072875	Front Air Guide	1
59	100072878	Oil Seal	1
60	100752619	Ignition Coil	1

#	Part Number	Description	Qty.
61	100093250-0005	Self-tapping Screw ST4.8 x 20	2
62	100760676-0001	Right Hull	1
63	100715541	Housing, Right Handle, Black	1
64	100711052	Spark Plug Maintenance Plate, Black	1
65	100729398	Housing Panel, Right, Yellow	1
66	100746066	Maintenance Panel, Yellow	1
67	100146896	1/4 Turn Dial Washer	2
68	100146895	1/4 Turn Dial Spring	2
69	100146894	1/4 Turn Dial Lever	2
70	100142059	1/4 Turn Dial	2
71	100157219	Self-locking Quick Connector, Female	1
72	100731653	Switch Box Base Kit, See Figure G	1
73	100759576	Clamp, Fuel Hose	2
74	100711152-0001	LPG Hose with Regulator	1
75	100158478	Protector Cover, Quick Connector	1
76	100072710	Rubber Damper	1
77	100729397	Maintenance Panel Assembly, Yellow	1
78	100729399	Right Cover Board Assembly	1
79	100156769	CO Shutdown Module	1
80	100751697	Tighten The Handle	1
81	100011261-0004	Flange Bolt M6 x 12	2
82	100729649-0001	Screw M5 x 12	2

# ENGINE PARTS DIAGRAM

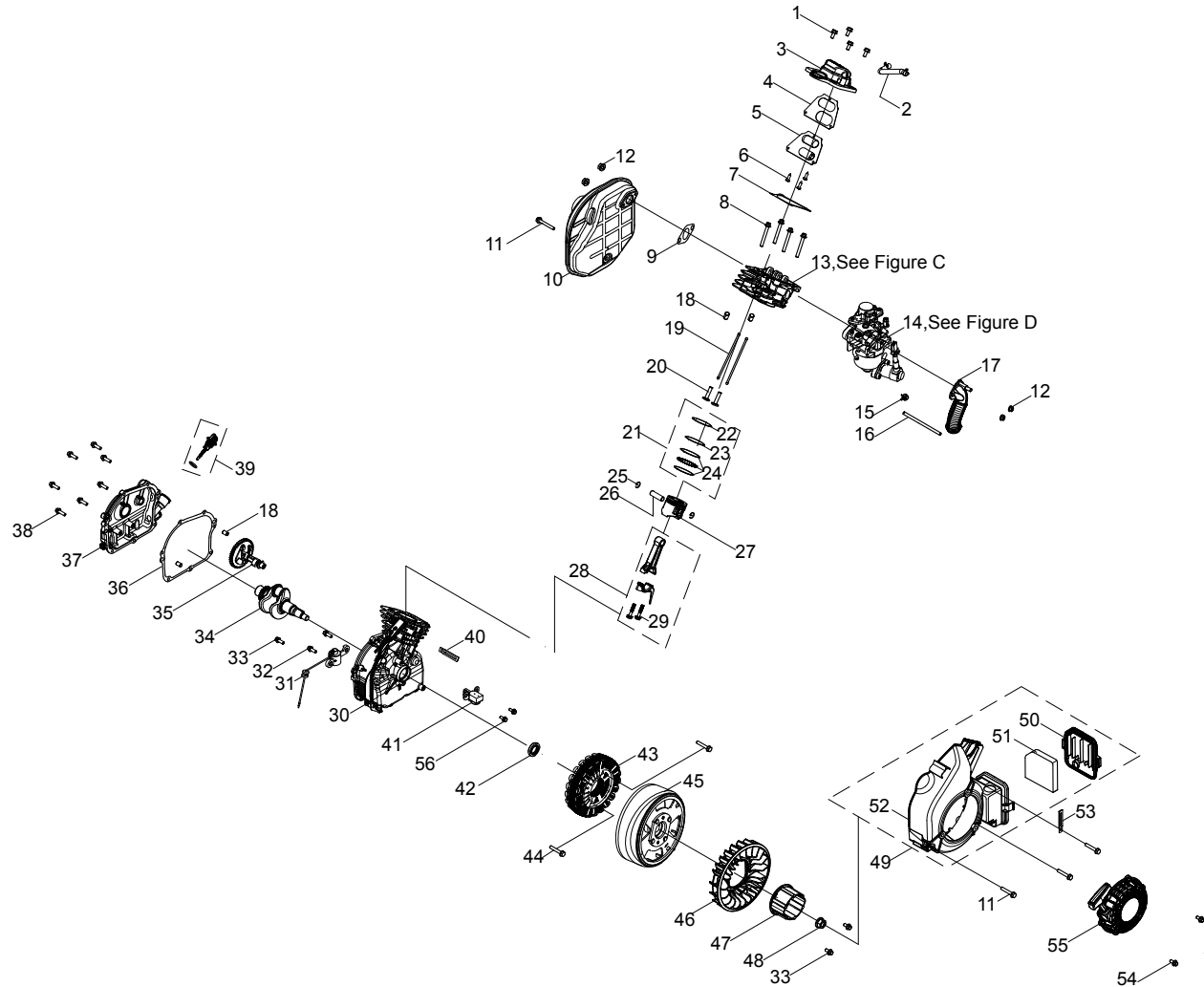


Figure B

**ENGINE PARTS LIST**

#	Part Number	Description	Qty.
1	100033099-0006	Big Flange Bolt M6 x 18	4
2	100154528	Breather Tube	1
3	100072876	Cylinder Head Cover Assembly	1
4	100762679	Inner Cover, Valve Cover	1
5	100762680	Gasket, Cylinder Cover	1
6	100005133	Cross Screw M3 x 6.5	3
7	100075052	Gasket, Cylinder Head Cover	1
8	100011275-0002	Flange Bolt M6 x 50, GB5789	4
9	100075043	Muffler Pad	1
10	100065662	Exhaust Muffler Assembly	1
11	100011277-0001	Flange Bolt M6 x 60, GB5789	4
12	100011452-0003	Lock Nut M6, Flange	4
13	100723700	Cylinder Head Assembly - See Figure C	1
14	100746422	Carburetor Assembly - See Figure D	1
15	100005149	Clamp 1, Ø7.5	1
16	100087351	Fuel Tube	1
17	100075035	Air Filter Hose	1
18	100010549	Dowel Pin Ø8 x 12	4
19	100075061	Push Rod	2
20	100075036	Lifter, Valve	2
21	100075040	Piston Ring Set	1
22	100088147	1st Piston Ring	1
23	100088148	2nd Piston Ring	1
24	100088146	Oil Ring	1
25	100075038	Circlip	2
26	100075039	Wrist Pin	1
27	100159355	Piston	1
28	100075037	Connecting Rod	1
29	100091043	Bolt, Connecting Rod	2
30	100085410	Crankcase	1

#	Part Number	Description	Qty.
31	100075063	Oil Level Sensor	1
32	100031967-0007	Big Flange Bolt M6 x 16	2
33	100011570-0001	Big Flange Bolt M6 x 12	3
34	100065663	Crankshaft	1
35	100159356	Camshaft	1
36	100075062	Gasket, Crankcase Cover	1
37	100072617	Cover, Crankcase	1
38	100031968-0002	Big Flange Bolt M6 x 20	7
39	100084322-0003	Oil Dipstick Assembly, Black	1
40	100000656	Wire Clip C	1
41	100752614	Trigger	1
42	100085697	Oil Seal Ø20 x Ø32 x 6	1
43	100763128	Stator Assembly, Fe, Ø120 x 21 mm	1
44	100011223-0001	Flange Bolt M6 x 32	2
45	100085871	Rotor Assembly, Permanent Magneto, Ø150 x 44.5 mm	1
46	100727948	Cooling Fan	1
47	100159015	Pulley, Starter	1
48	100033063-0001	Flange Nut M12 x 1.25	1
49	100727947	Fan Cover, Black	1
50	100075482	Air Filter Cover	1
51	100075483	Air Filter Element	1
52	100085054	Blower Housing	1
53	100000655	Wire Clip B	1
54	100011571-0001	Big Flange Bolt M6 x 14	3
55	100728966-0001	Recoil Starter Assembly, Black	1
56	100055591-0006	Big Flange Bolt M6 x 12	2

# CYLINDER HEAD PARTS DIAGRAM

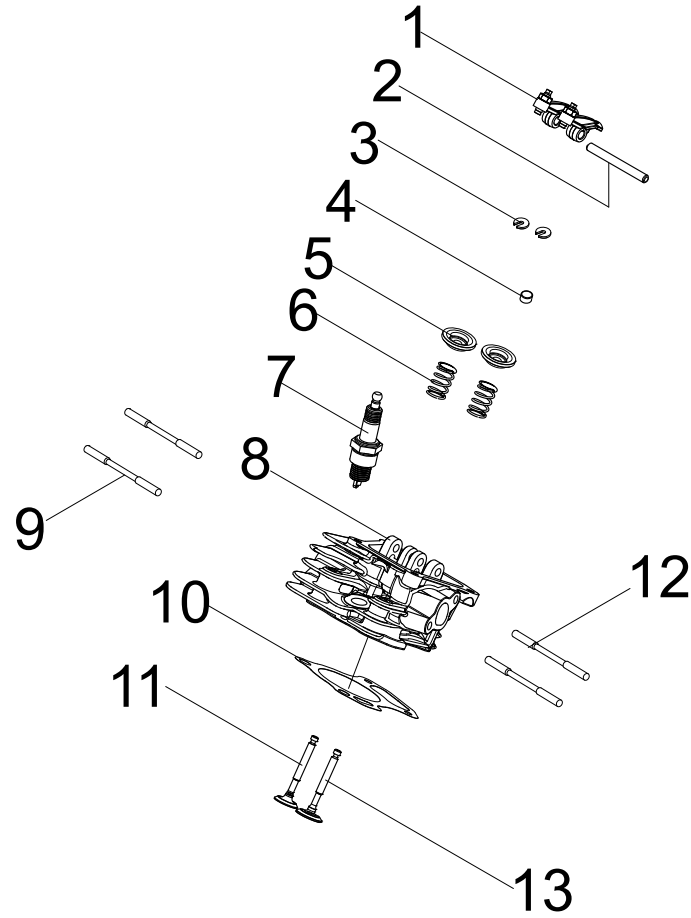


Figure C



**CYLINDER HEAD PARTS LIST**

#	Part Number	Description	Qty.
1	100075054	Rocker Arm Assembly	2
2	100075053	Shaft, Rocker Arm	1
3	100075055	Valve Collet	2
4	100075058	Oil Drip Pan	1
5	100075056	Valve Spring Seat, 182F	2
6	100159357	Spring Valve	2
7	100097810	Spark Plug(E6RTC)	1
8	100160845	Cylinder Head	1
9	100088412	Stud Bolt M6 x 73	2
10	100085694	Gasket, Cylinder Head	1
11	100075059	Valve Exhaust	1
12	100010348	Stud Bolt M6 x 87	2
13	100159354	Valve Intake	1

## CARBURETOR PARTS DIAGRAM

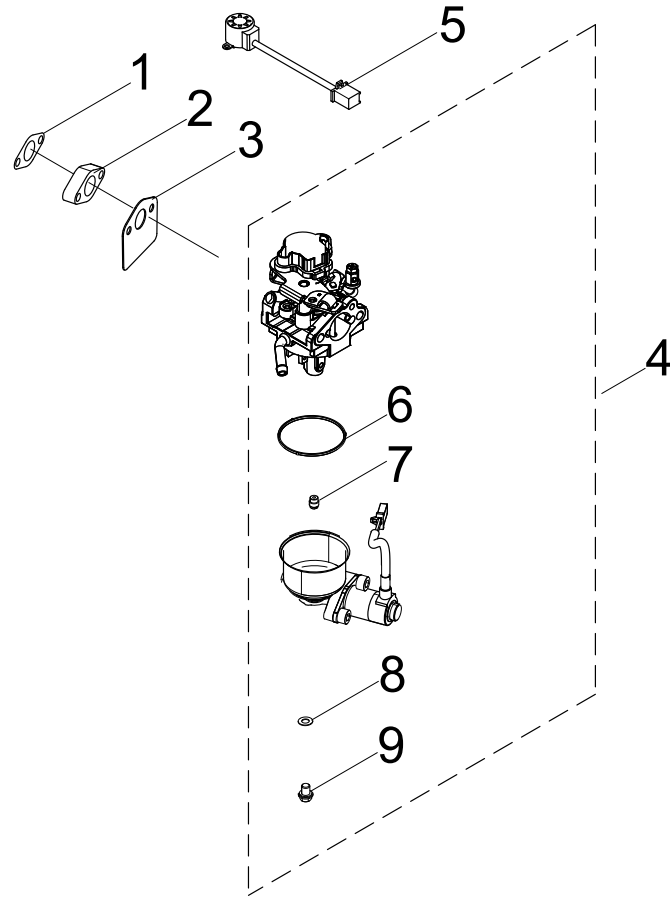
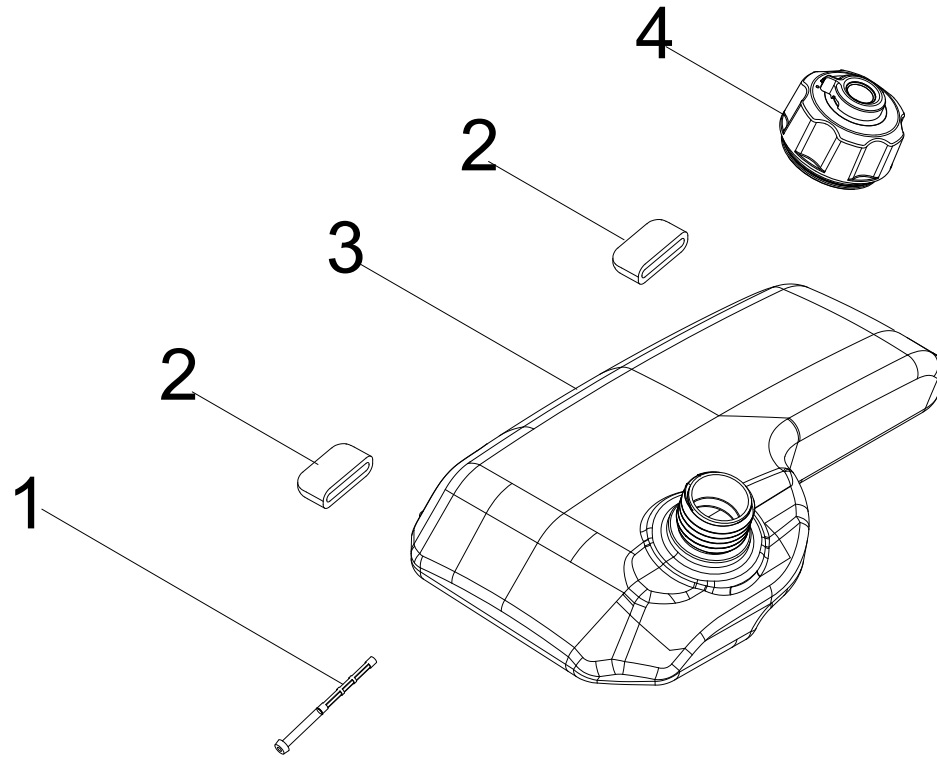


Figure D

**CARBURETOR PARTS LIST**

#	Part Number	Description	Qty.
1	100075048	Gasket, Insulator	1
2	100075049	Insulator, Carburetor	1
3	100075050	Gasket, Carburetor	1
4	100160764	Carburetor	1
5	100061512	Stepper Motor	1
6	100131960	Fuel Bowl O-Ring	1
7	100072072	Main Jet Standard (64)	1
	100005737	Main Jet Altitude 1000-3000m (62)	/
8	100715796	Fuel Bowl Mounting Bolt Gasket	1
9	100715797	Fuel Bowl Mounting Bolt	1

## FUEL TANK PARTS DIAGRAM

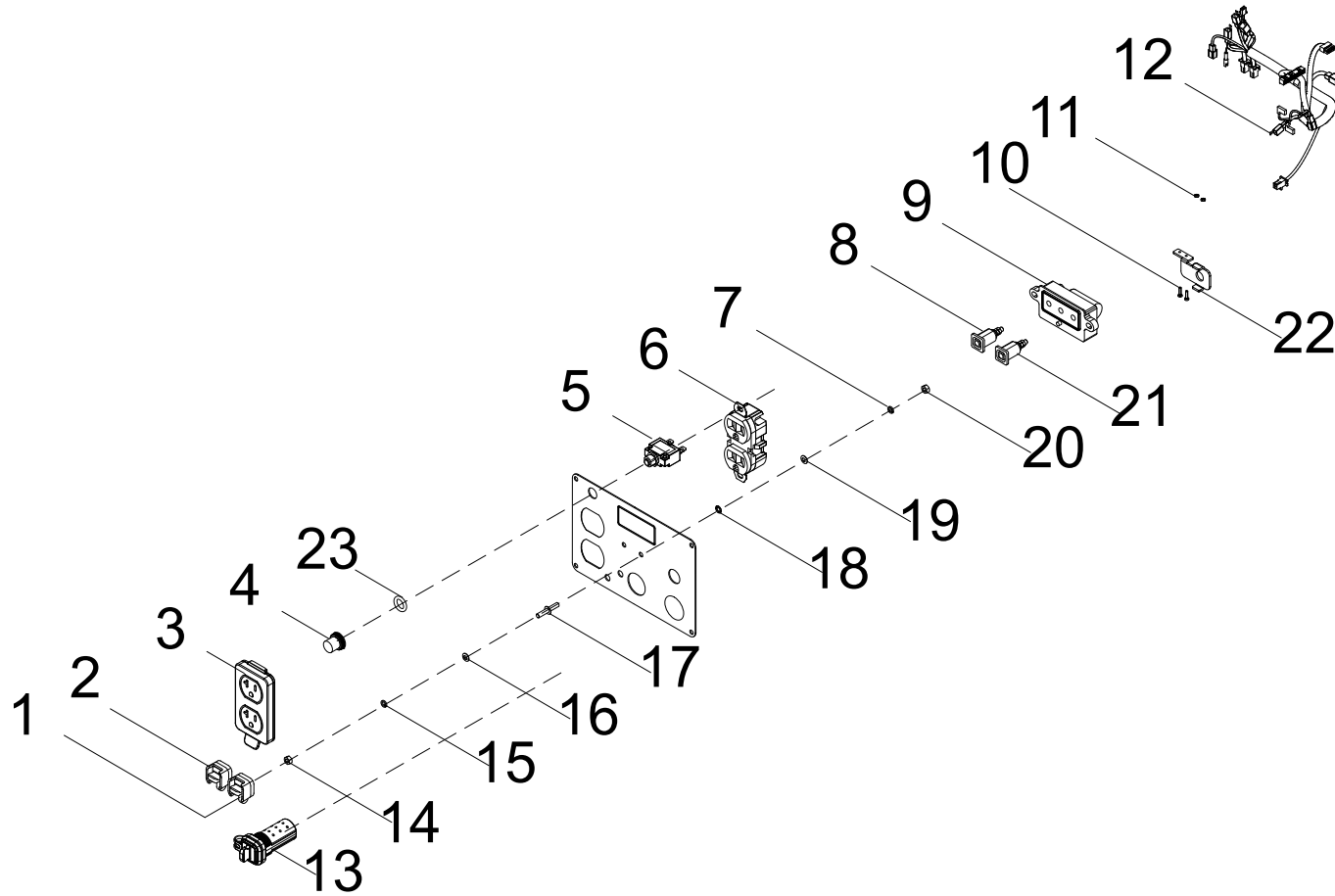


# Figure E

**FUEL TANK PARTS LIST**

#	Part Number	Description	Qty.
1	100009020	Fuel Strainer	1
2	100072727	Rubber Pad	2
3	100087371	Fuel Tank, 4 L	1
4	100072726-0001	Fuel Tank Cap	1

# CONTROL PANEL PARTS DIAGRAM

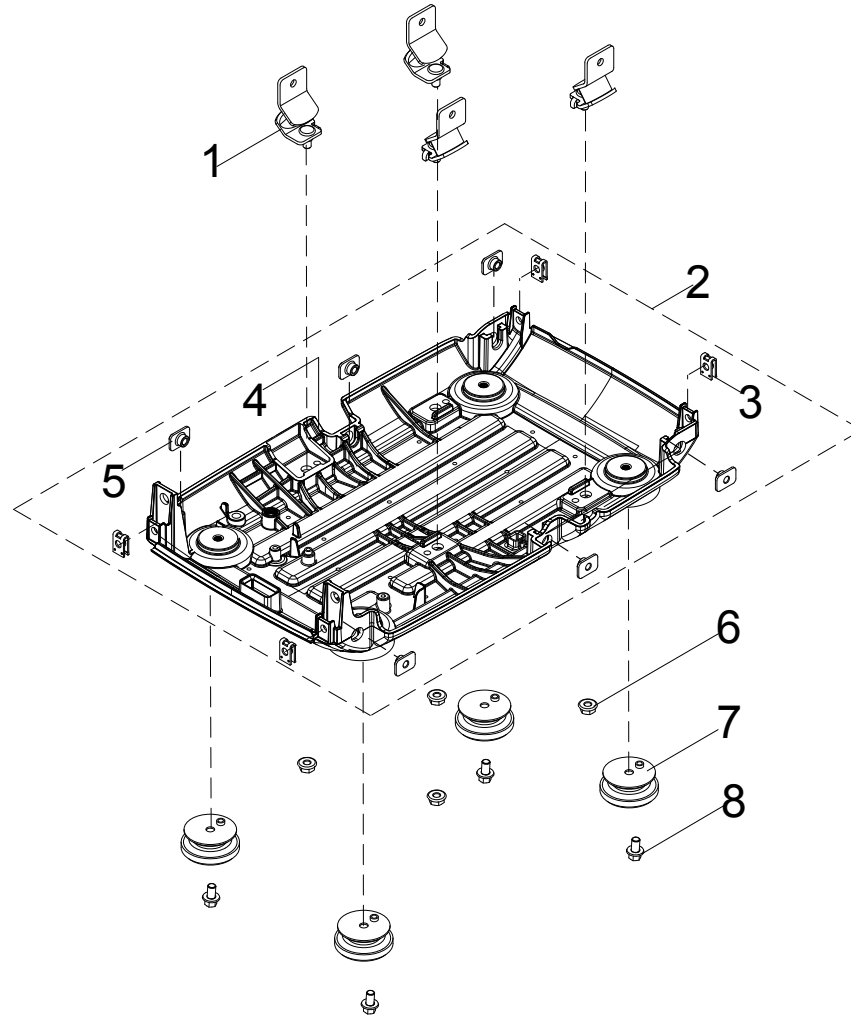


## Figure F

**CONTROL PANEL PARTS LIST**

#	Part Number	Description	Qty.
1	100746006-0002	Parallel Port Cover, Square, Black	1
2	100735685-0002	Parallel Port Cover, Square, Red	1
3	100731575	Receptacle Cover 5-20R, Duplex	1
4	100120180	Cover, Circuit Breaker	1
5	100019747	20Amp Circuit Breaker, Push Button	1
6	100020029	Receptacle 5-20R, Duplex	1
7	100010885-0003	Spring Washer Ø5	1
8	100746006-0001	Parallel Port, Square, Red	1
9	100159885	LED Display Module	1
10	100719040-0001	Screw M2.5 x 18	2
11	100096063-0001	Flange Nut M2.5	2
12	100734968	Wire Harness Assembly	1
13	100714740	Dual USB Receptacle	1
14	100011421-0003	Flange Nut M6	1
15	100010886-0004	Spring Washer Ø6	1
16	100010910-0003	Flat Washer Ø6	1
17	100092320	Ground Stud	1
18	100128826-0001	Washer, Ø6	1
19	100010919-0002	Flat Washer Ø5	1
20	100011419-0001	Nut M5	1
21	100746006-0002	Parallel Port, Square, Black	1
22	100157215	Mounting Plate	1
23	100031552	O-Ring	1

## BASE KIT PARTS DIAGRAM



# Figure G



**BASE KIT PARTS LIST**

#	Part Number	Description	Qty.
1	100746006-0002	Parallel Port Cover, Square, Black	1
2	100735685-0002	Parallel Port Cover, Square, Red	1
3	100731575	Receptacle Cover 5-20R, Duplex	1
4	100120180	Cover, Circuit Breaker	1
5	100019747	20Amp Circuit Breaker, Push Button	1
6	100020029	Receptacle 5-20R, Duplex	1
7	100010885-0003	Spring Washer Ø5	1
8	100746006-0001	Parallel Port, Square, Red	1
9	100159885	LED Display Module	1
10	100719040-0001	Screw M2.5 x 18	2
11	100096063-0001	Flange Nut M2.5	2
12	100734968	Wire Harness Assembly	1
13	100714740	Dual USB Receptacle	1
14	100011421-0003	Flange Nut M6	1
15	100010886-0004	Spring Washer Ø6	1
16	100010910-0003	Flat Washer Ø6	1
17	100092320	Ground Stud	1
18	100128826-0001	Washer, Ø6	1
19	100010919-0002	Flat Washer Ø5	1
20	100011419-0001	Nut M5	1
21	100746006-0002	Parallel Port, Square, Black	1
22	100157215	Mounting Plate	1
23	100031552	O-Ring	1

# WIRING DIAGRAM

