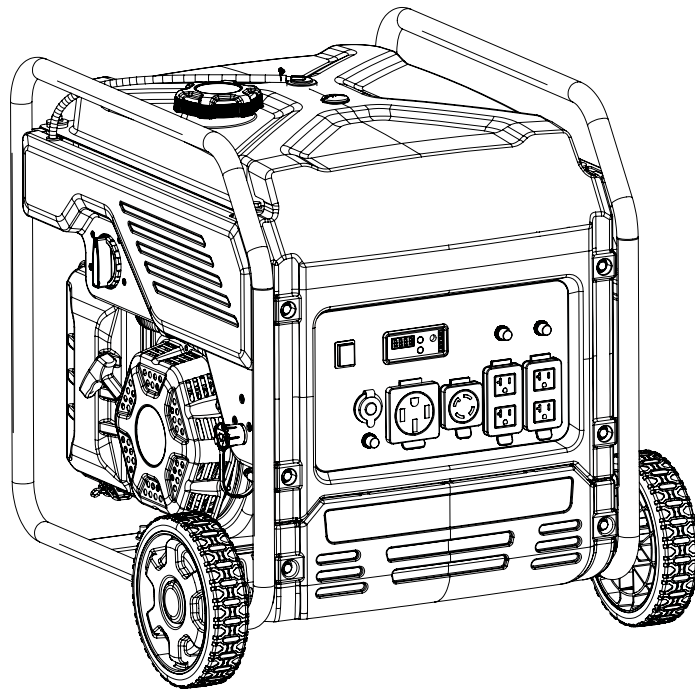




Champion Power Equipment, Inc., Santa Fe Springs, CA USA

**MODEL #201176**



## **PARTS INFORMATION**

**9000W TRI-FUEL ELECTRIC START INVERTER GENERATOR**

**SERIAL NUMBER RANGE: ALL**

An icon depicting a person wearing a headset and holding a wrench, with an arrow pointing to a box, symbolizing customer support or parts ordering.

To order replacement parts please visit:  
**[shop.championpowerequipment.com](http://shop.championpowerequipment.com)**  
or call **1-877-338-0999**.

## **TABLE OF CONTENTS**

<b>Inverter Generator Parts Diagram</b> .....	<b>3</b>
<b>Inverter Generator Parts List</b> .....	<b>4</b>
<b>Engine Parts Diagram</b> .....	<b>6</b>
<b>Engine Parts List</b> .....	<b>7</b>
<b>Cylinder Head Parts Diagram</b> .....	<b>9</b>
<b>Cylinder Head Parts List</b> .....	<b>10</b>
<b>Carburetor Parts Diagram</b> .....	<b>11</b>
<b>Carburetor Parts List</b> .....	<b>12</b>
<b>Fuel Tank Parts Diagram</b> .....	<b>13</b>
<b>Fuel Tank Parts List</b> .....	<b>14</b>
<b>Control Panel Parts Diagram</b> .....	<b>15</b>
<b>Control Panel Parts List</b> .....	<b>16</b>
<b>Frame Assembly Parts Diagram</b> .....	<b>17</b>
<b>Frame Assembly Parts List</b> .....	<b>18</b>
<b>Wiring Diagram</b> .....	<b>19</b>

# INVERTER GENERATOR PARTS DIAGRAM

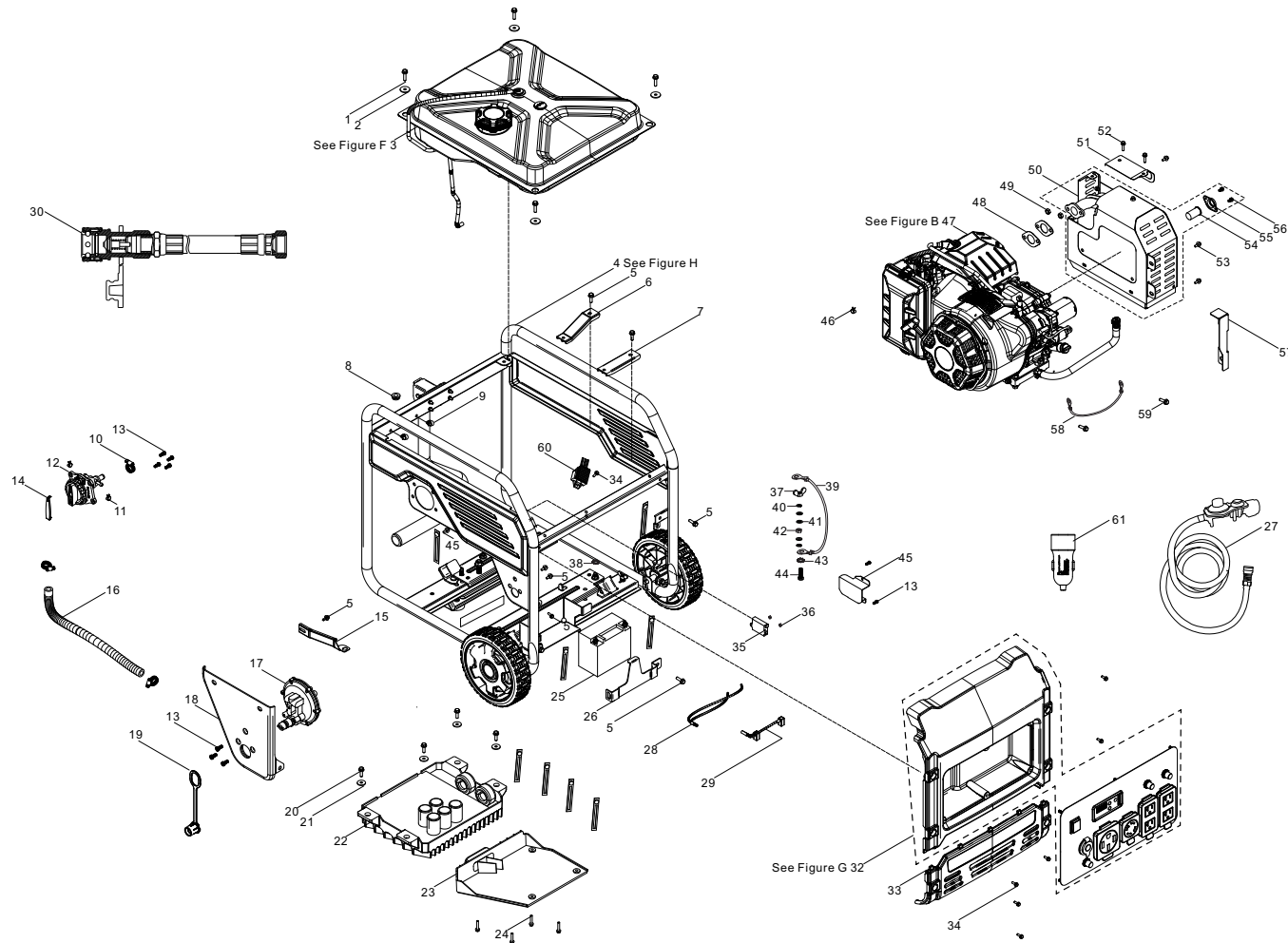


Figure A

**INVERTER GENERATOR PARTS LIST**

#	Part Number	Description	Qty.
1	90007-000024	Hexagon Flange Bolt, M6 x 25, Black Zinc	4
2	90408-000008	Flat Washer, 6.2 x 25 x 2, Black Zinc	4
3	96003-Y16620-0025	Fuel Tank Assembly - See Figure F	1
4	96003-Y51100-0023	Frame Assembly - See Figure H	1
5	90001-000019	Hexagon Flange Bolt, M6 x 12, Black Zinc	9
6	30081-000001	Mounting Bracket 1, Invertor	1
7	30081-000002	Mounting Bracket 2, Invertor	1
8	90698-000001	Protective Rubber Sleeve	1
9	90684-000005	Clip, Ø8	2
10	90748-000002	Clamp, Ø10 x 16	3
11	90685-000010	Clamp, Ø9 x 0.8 x 8	2
12	16750-000020	Fuel Valve Assembly	1
13	90103-000012	Cross Recess Pan Head Screw, M5 x 12, Black Zinc	9
14	82007-000005	Decorative Covers PMS 109C	1
15	17003-000004	Air Cleaner Support	1
16	90729-000015	Vent Tube, Ø10 x Ø16.8 x 330	1
17	77100-000010	LPG/NG Regulator, Auxiliary	1
18	51136-000002	Mounting Plate, LPG/NG Regulator	1
19	90722-000019	Plug 1, LPG/NG Inlet	1
20	90001-000026	Hexagon Flange Bolt, M6 x 25, White Zinc	4
21	90408-000018	Flat Washer, Black Zinc, Ø22 x Ø6.3 x 2, White Zinc	4
22	30043-000026	Invertor, 6.8/7.5kW 120V/240V 60Hz	1
23	19313-000002	Air Guide Glate, Inverter	1
24	90254-000002	Bolts / Washer Assembly, M4 x 16, White Zinc	4
25	31110-000006	Battery, 12V/14Ah, 150 x 85 x 130	1
26	31142-000003	Clamp, Battery	1
27	77300-000006	LPG Hose With Regulator	1
28	31114-000013	DC Wire Harness, Engine	1

#	Part Number	Description	Qty.
29	31112-000014	DC Wire Harness, Battery	1
30	90729-000016	NG Hose With Adapter, Ø18.5 x Ø12.5 x 7600	1
31	90684-000001	Clip, 130 mm	7
32	35610-000135	Control Panel Assembly - See Figure G	1
33	82007-000002	Decorative Plate, Panel	1
34	90001-000023	Hexagon Flange Bolt, M6 x 16, Black Zinc	7
35	35720-000002	CO Alarm	1
36	90305-000001	Hexagon Flange Nut, M4, Black Zinc	2
37	90312-000001	Wing Nut, M6, Black Zinc	1
38	90415-000003	Lock Washer, Toothed, White Zinc	1
39	30009-000002	Grounding Wire	1
40	90403-000003	Spring Washer, Black Zinc	2
41	90408-000006	Flat Washer, Black Zinc	3
42	90303-000003	Nut, M6, Black Zinc	1
43	90415-000002	Lock Washer, Toothed, Black Zinc	1
44	90001-000027	Hexagon Flange Bolt, M6 x 25, Black Zinc	1
45	76021-000001	Protective Plate, CO Sensor	1
46	90685-000007	Clamp, Ø9.5 x 0.8 x 8	1
47	96100-420DTV10-01	Engine - See Figure B	1
48	18001-000004	Gasket, Exhaust Outlet	2
49	90303-000006	Nut, M8, Black Zinc	2
50	18100-000042	Muffler Assembly	1
51	18013-000003	Support Plate, Muffler	1
52	90022-000001	Hexagon Flange Bolt, M6 x 12, Black Zinc	3
53	90001-000041	Hexagon Flange Bolt, M8 x 16, Black Zinc	2
54	18250-000002	Spark Arrestor	1
55	18213-000002	Pressure Plate, Spark Arrestor	1
56	90005-000002	Hexagon Flange Bolt, M5 x 10, White Zinc	2
57	76021-000002	Protective Plate, Muffler	1
58	30009-000018	Grounding Wire	1

#	Part Number	Description	Qty.
59	90001-000018	Hexagon Flange Bolt, M6 x 12, White Zinc	2
60	30060-000003	AVR	1
61	35613-000001	12VDC USB Adapter	1

# ENGINE PARTS DIAGRAM

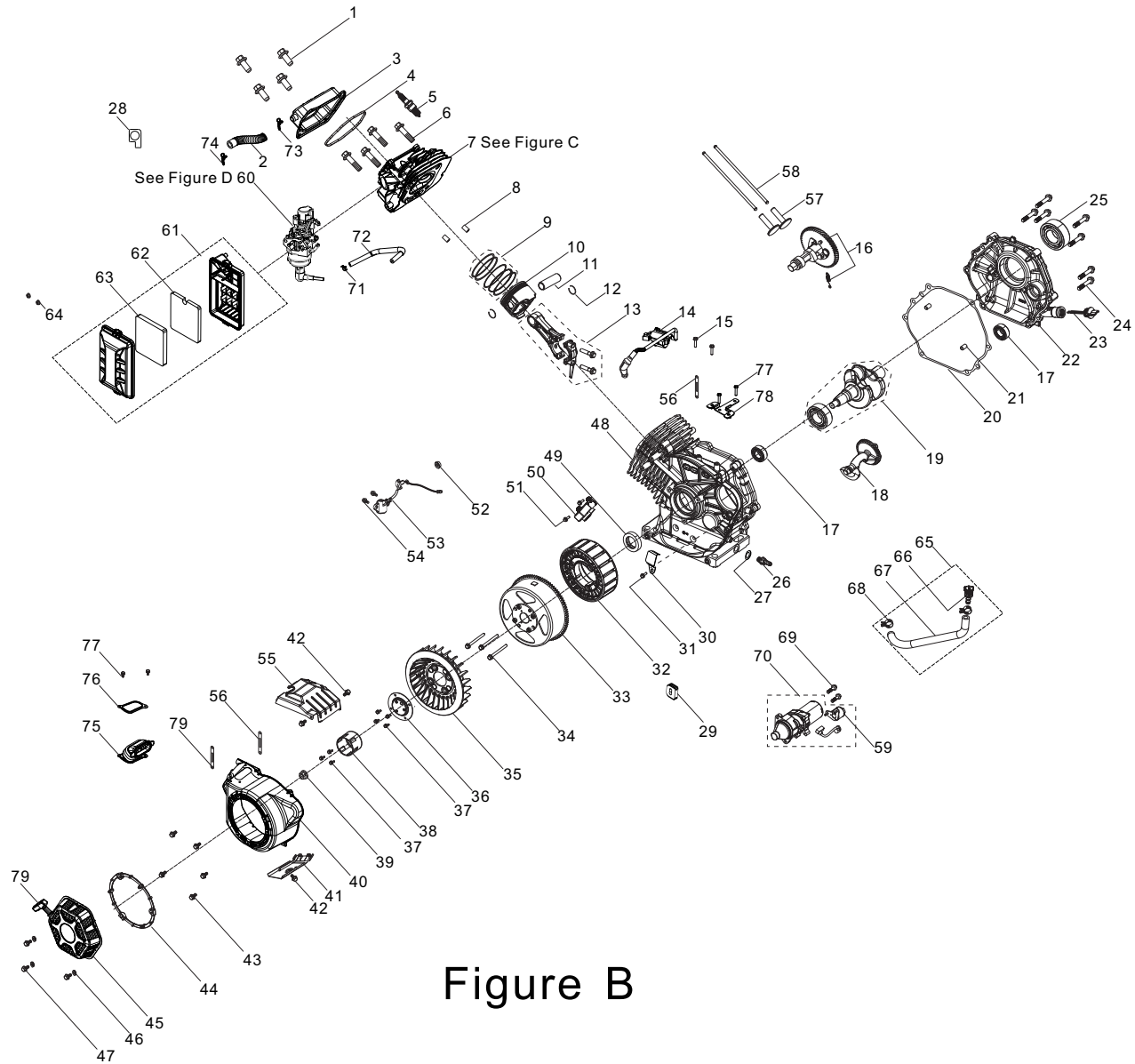


Figure B

**ENGINE PARTS LIST**

#	Part Number	Description	Qty.
1	90001-000020	Hexagon Flange Bolt, M6 x 14, White Zinc	4
2	17004-000027	Breather Tube, Ø11.5 x Ø17 x 90	1
3	12410-000002	Cylinder Head Cover Subassembly, Octagon, White Zinc	1
4	12004-000006	Cylinder Head Cover Gasket	1
5	30010-000006	Spark Plug, F7RTJC	1
6	12003-000004	Cylinder Head Bolt, M10 x 80, White Zinc	4
7	96003-Z12140-0037	Cylinder Head Assembly	1
8	90502-000008	Pin, Ø12 x 20	2
9	13200-000005	Piston Rings Set	1
10	13111-000003	Piston	1
11	13121-000004	Piston Pin, Ø20 x Ø14.75 x 62	1
12	13122-000002	Clip, Piston Pin	2
13	13010-000004	Connecting Rod	1
14	30400-000035	Ignition Coil	1
15	90001-000024	Hexagon Flange Bolt, M6 x 20, White Zinc	2
16	14200-000007	Camshaft Assembly	1
17	90548-000001	Bearing, 6202	2
18	13400-000001	Shaft Assembly, Balancing	1
19	13300-000035	Crankshaft Assembly	1
20	11001-000004	Crankcase Gasket	1
21	90502-000002	Pin, Ø8 x 12	2
22	11411-000025	Crankcase Cover Assembly	1
23	15010-000007	Oil Dipstick Subassembly	1
24	90001-000050	Hexagon Flange Bolt, M8 x 40, White Zinc	7
25	90547-000009	Bearing, 6207	1
26	90689-000001	Connector, Oil Drain Hose	1

#	Part Number	Description	Qty.
27	90412-000003	Flat Washer, Ø12 x Ø21 x 2	1
28	90804-000001	Stop Block	1
29	28101-000003	Rubber Plug	1
30	30002-000003	Wiring Clamp, Magneto	1
31	90001-000001	Hexagon Flange Bolt, M5 x 10, White Zinc	1
32	30120-000029	Stator Component, Ø179 x 53	1
33	30110-000008	Rotor Component, Ø179 x 53	1
34	90007-000020	Hexagon Flange Bolt, M6 x 65, White Zinc	3
35	19352-000015	Cooling Fan, Engine	1
36	28020-000001	Starter Pulley Base	1
37	90001-000018	Hexagon Flange Bolt, M6 x 12, White Zinc	7
38	28002-000014	Starter Pulley, White Zinc	1
39	13501-000002	Flywheel Nut, M16 x 1.5, White Zinc	1
40	28110-000035	Shroud	1
41	19304-000004	Cylinder Body Shroud, White Zinc	1
42	90001-000018	Hexagon Flange Bolt, M6 x 12, White Zinc	3
43	90001-000019	Hexagon Flange Bolt, M6 x 12, Black Zinc	5
44	28261-000003	Circlip, Rope	1
45	28200-000025	Recoil Starter Assembly	1
46	90408-000006	Flat Washer	3
47	90001-000025	Hexagon Flange Bolt, M6 x 20, Black Zinc	3
48	11310-000029	Crankcase Subassembly	1
49	90682-000006	Oil Seal	1
50	30130-000008	Trigger Assembly	1
51	90001-000007	Hexagon Flange Bolt, M5 x 16, White Zinc	2
52	90305-000014	Hexagon Flange Lock Nut, M10, White Zinc	1
53	37060-000006	Oil Sensor	1
54	90001-000022	Hexagon Flange Bolt, M6 x 16, White Zinc	2
55	19305-000004	Cylinder Body Shroud 2	1
56	90684-000003	Clip, 100 mm	1

#	Part Number	Description	Qty.
57	14081-000003	Valve Lifter	2
58	14070-000002	Valve Rod	2
59	30500-000001	Starting Relay	1
60	96003-Z16100-0034	Carburetor Assembly - See Figure D	1
61	17100-000031	Air Cleaner	1
62	17151-000002	Element 1, Air Cleaner	1
63	17151-000001	Element 2, Air Cleaner	1
64	90305-000007	Hexagon Flange Nut, M6, White Zinc	2
65	11011-000009	Oil Drain Hose Assembly	1
66	15031-000001	Oil Plug	1
67	11011-000008	Oil Drain Hose	1
68	90685-000015	Clamp	2
69	90001-000044	Hexagon Flange Bolt, M8 x 25, White Zinc	2
70	30300-000008	Motor Assembly, Starting	1
71	90748-000002	Clamp 1	1
72	90729-000014	Vent Tube, Ø9.5 x Ø16.8 x 200	1
73	90685-000016	Clamp, Ø17	1
74	90685-000014	Clamp, Ø16	1
75	28252-000001	Air Guide Tube, Inverter	1
76	16676-000001	Mounting Plate	1
77	90001-000003	Hexagon Flange Bolt, M5 x 12, White Zinc	4
78	51124-000014	Mounting Bracket	1
79	28210-000004	Pull Cord Handle	1



## CYLINDER HEAD PARTS DIAGRAM

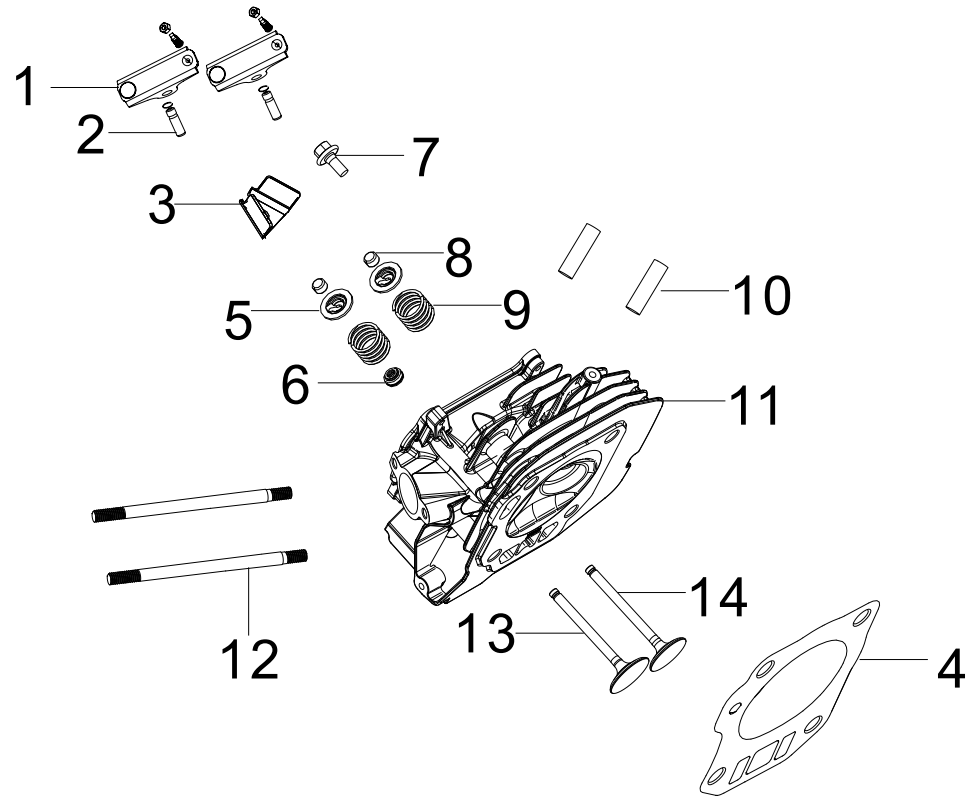


Figure C

**CYLINDER HEAD PARTS LIST**

#	Part Number	Description	Qty.
1	14310-000003	Valve Rocker Subassembly	2
2	14318-000004	Valve Rocker Shaft Subassembly	2
3	12419-000002	Pin Plate, Cylinder Head Cover	1
4	12131-000006	Cylinder Head Gasket	1
5	12107-000001	Valve Spring Retainer	2
6	12101-000005	Seal Guide	1
7	90001-000019	Hexagon Flange Bolt, M6 x 12, Black Zinc	1
8	12104-000001	Valve Adjusting Cap, Ø5.6 x Ø8.5 x 5.2	2
9	12103-000009	Valve Spring	2
10	90203-000001	Stud, M8 x 34, Black Zinc	2
11	12140-000009	Cylinder Head Subassembly	1
12	90204-000011	Stud, M6/M8 x 110, Black Zinc	2
13	12111-000002	Inlet Valve	1
14	12121-000003	Exhaust Valve	1

# CARBURETOR PARTS DIAGRAM

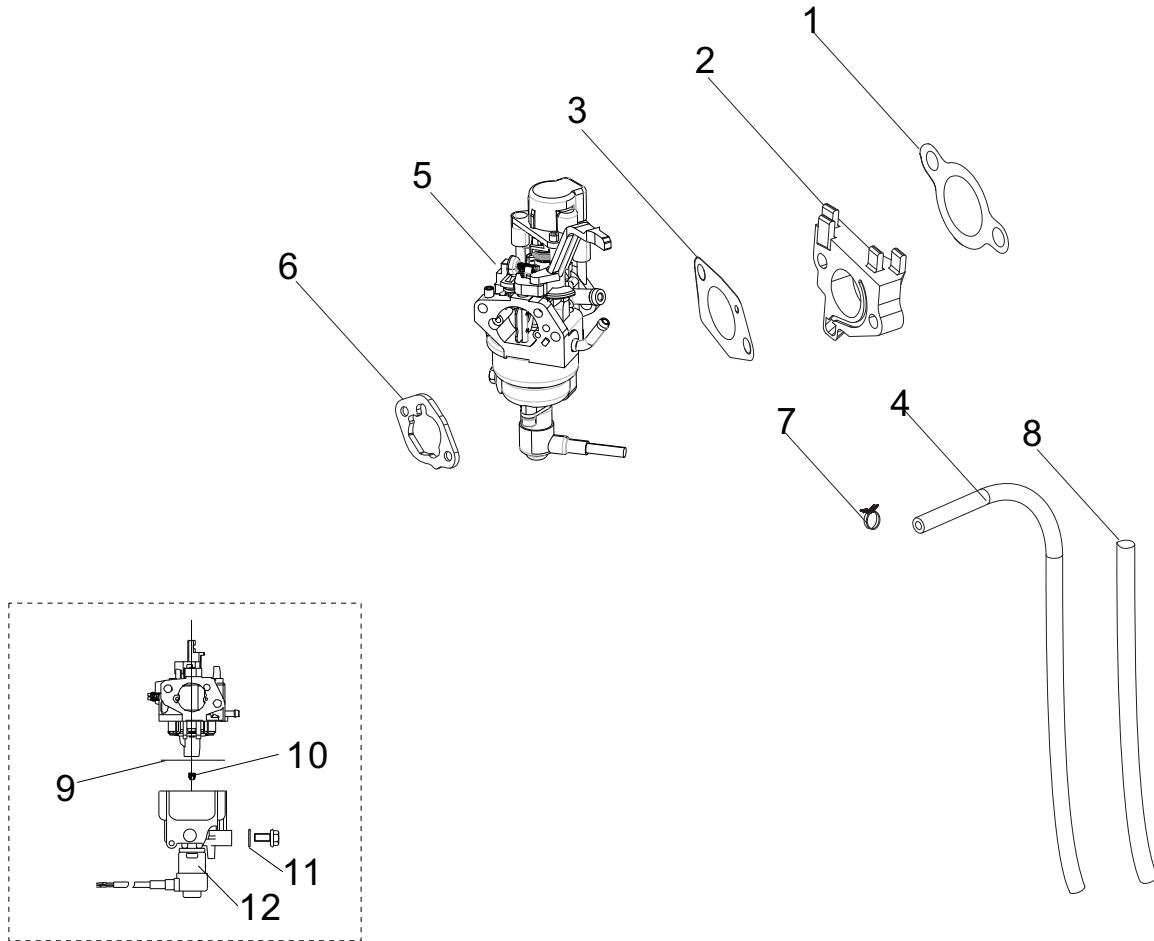
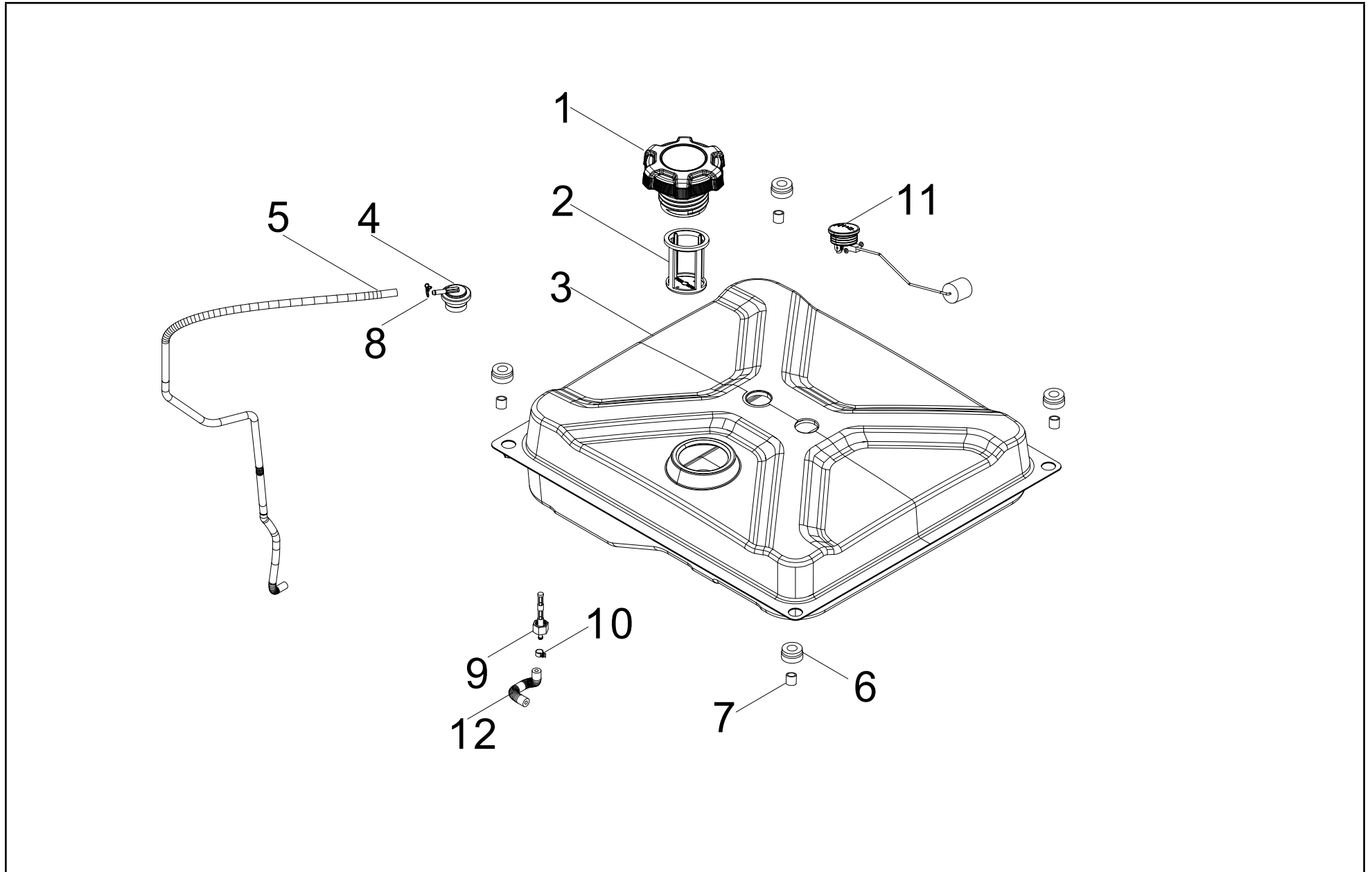


Figure D

**CARBURETOR PARTS LIST**

#	Part Number	Description	Qty.
1	17002-000004	Inlet Gasket	1
2	16003-000018	Carburetor Insulator Plate	1
3	16001-000003	Carburetor Gasket	1
4	90686-000048	Fuel Tube, Ø4 x Ø10 x 245	1
5	16100-000067	Carburetor Assembly	1
6	17001-000010	Air Cleaner Gasket	1
7	90685-000010	Clamp, Ø10.5 x 0.8 x 8	1
8	30431-000024	Rubber Sleeve, Ø19.5 x Ø18 x 165	1
9	16112-000012	Float Seal Ring	1
10	16161-000073	Main Jet(H128×0.50), Standard	1
	16161-000059	Main Jet(H128×0.53), Altitude 3000-6000 Feet	/
	16161-000074	Main Jet(H128×0.56), Altitude 6000-8000 Feet	/
11	90681-000013	Seal Ring	1
12	16108-000007	Solenoid Valve	1

## FUEL TANK PARTS DIAGRAM



**FUEL TANK PARTS LIST**

#	Part Number	Description	Qty.
1	16730-000010	Fuel Tank Cap	1
2	16652-000009	Fuel Filter	1
3	16620-000020	Fuel Tank, 16.4L	1
4	15150-000003	One Way Valve	1
5	16804-000025	Vent Tube, Ø4.5 x Ø8.5 x 860	1
6	16601-000001	Fuel Tank Rubber Sleeve	4
7	90683-000001	Bushing	4
8	90740-000005	Clamp, Ø9	1
9	16680-000005	Fuel Valve Assembly	1
10	90685-000002	Clamp, Ø9 x Ø0.8 x 8	1
11	37200-000019	Fuel Gauge	1
12	90686-000050	Fuel Tube, Carburetor, Ø4 x Ø10 x 110	1
13	30431-000008	Rubber Sleeve, Ø9.5 x Ø11 x 80	1

## CONTROL PANEL PARTS DIAGRAM

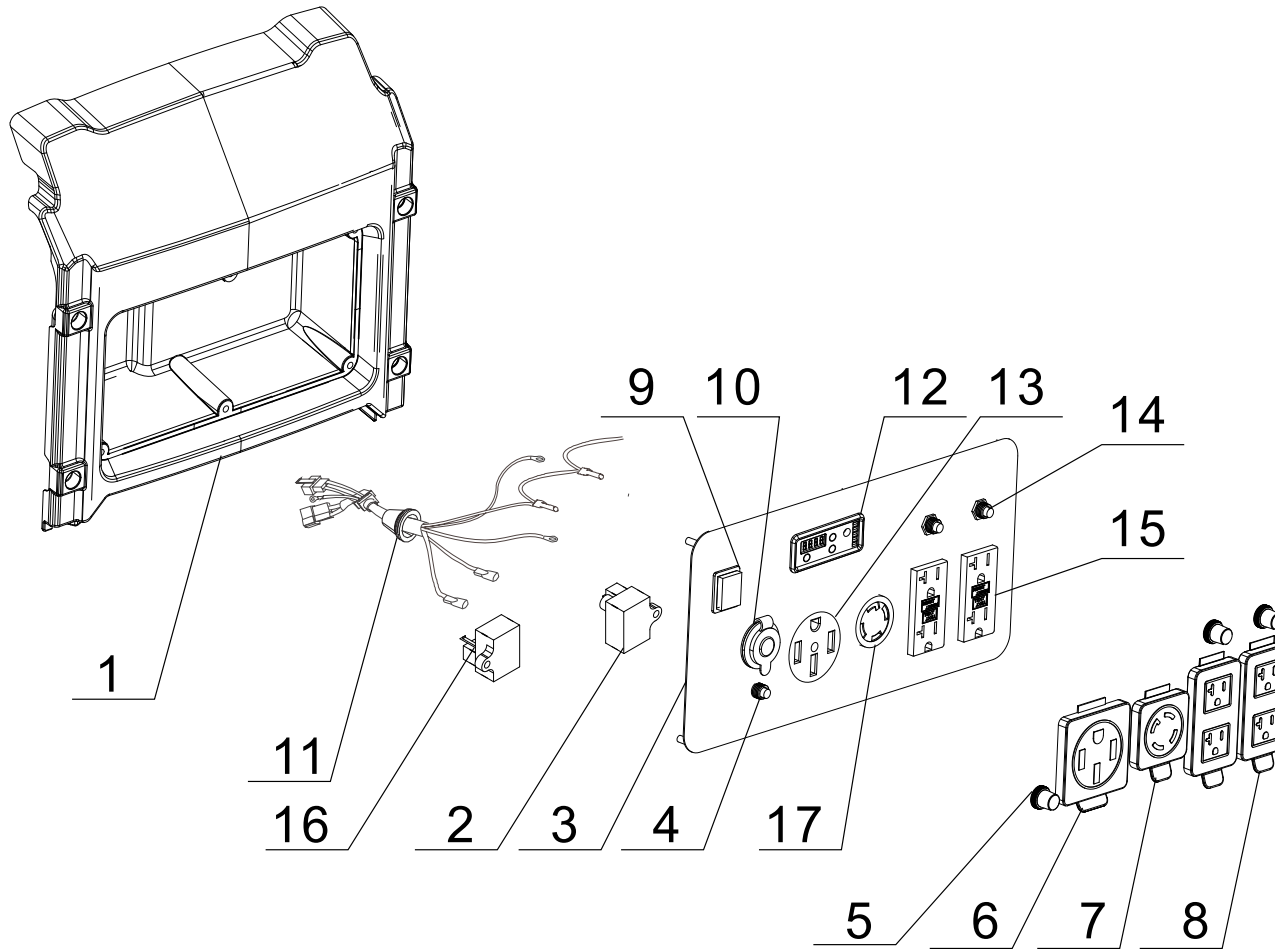


Figure G

**CONTROL PANEL PARTS LIST**

#	Part Number	Description	Qty.
1	35680-000022	Control Panel Housing	1
2	30008-000005	Control Module, EV0202	1
3	35650-000029	Control Panel	1
4	31234-000002	8Amp Circuit Breaker, Push Button, 125/250V	1
5	35654-000005	Receptacle Cover	3
6	35654-000012	Receptacle Cover,14-50R	1
7	35654-000010	Receptacle Cover,L14-30R	1
8	35654-000013	Receptacle Cover, GFCI Receptacle	2
9	35160-000011	Switch Assembly	1
10	35619-000003	Automotive Receptacle, 12V DC	1
11	35660-000036	Wire Harness, Control Panel	1
12	35632-000014	Intelliguage, INT5CINV	1
13	35614-000012	14-50R Receptacle, 50A, 125V/250V	1
14	31234-000003	20Amp Circuit Breaker, Push Button, 125/250V	2
15	35614-000018	5-20R GFCI Receptacle, 20A/125V	2
16	30007-000002	Charger Module, EC0803	1
17	35614-000004	L14-30R Receptacle, 125V/250V/30A	1



# FRAME ASSEMBLY PARTS DIAGRAM

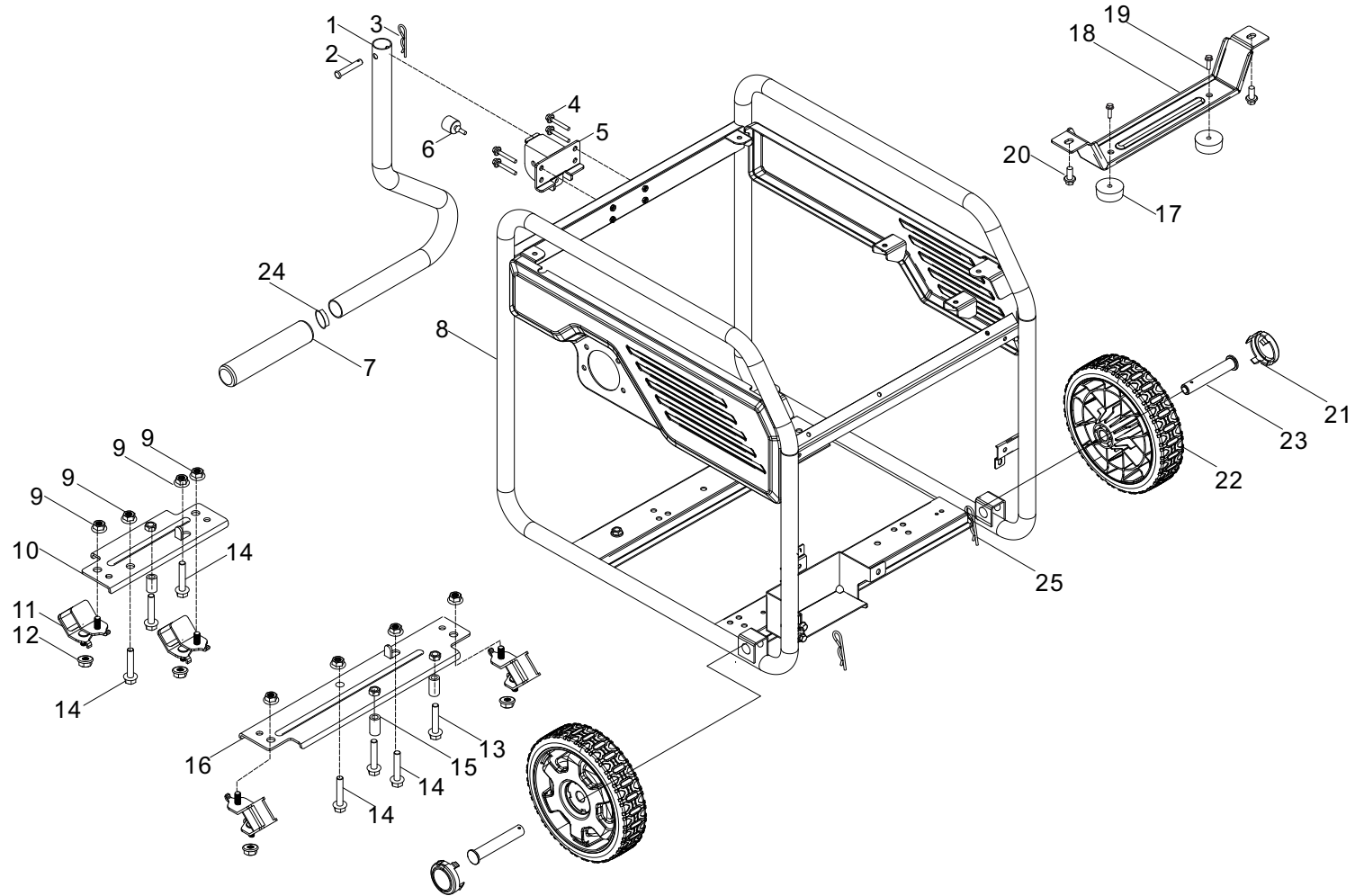


Figure H

**FRAME ASSEMBLY PARTS LIST**

#	Part Number	Description	Qty.
1	54110-000014	Handle, Ø28 x 1.2	1
2	90504-000002	Pin Shaft, Black Zinc	1
3	90583-000001	R Pin	1
4	90001-000031	Hexagon Flange Bolt, M6 x 30, Black Zinc	4
5	54113-000004	Handle Connecting Seat	1
6	51008-000001	Shock Absorption Pole	1
7	54101-000004	Handle Sheath	1
8	51100-000044	Frame Assembly, 580 x 485 x 555	1
9	90306-000001	Hexagon Flange Nut, M10 x 1.25, White Zinc	8
10	51002-000010	Dead Plate 2, Engine	1
11	51005-000007	Vibration Mount, Frame	4
12	90305-000010	Hexagon Flange Nut, M8, White Zinc	4
13	90001-000051	Hexagon Flange Bolt, M8 x 40, Black Zinc	3
14	90002-000002	Hexagon Flange Bolt, M10 x 1.25 x 40, White Zinc	4
15	90683-000006	Bushing, Ø15 x 27, White Zinc	3
16	51002-000009	Dead Plate 1, Engine	1
17	51014-000015	Vibration Mount, Support Leg,	2
18	51016-000004	Support Leg	1
19	90001-000019	Hexagon Flange Bolt, M6 x 12, Black Zinc	2
20	90001-000041	Hexagon Flange Bolt, M8 x 16, Black Zinc	2
21	44001-000003	Cover, Wheel Hub, PMS 109C	2
22	44110-000002	8in. Wheel, Yellow	2
23	44020-000003	Roll Pin, Ø16 x 89.5 x 98, Black Zinc	2
24	90722-000001	Plug, End	1
25	90501-000004	Pin, Black Zinc	2

# WIRING DIAGRAM

