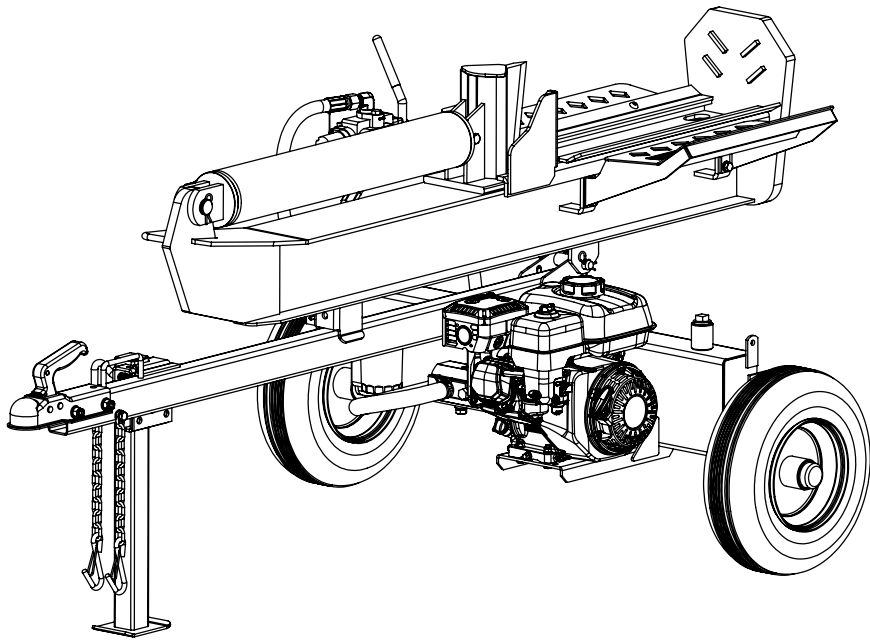




MODEL #BD201257



PARTS INFORMATION

28 TON FULL BEAM LOG SPLITTER

SERIAL NUMBER RANGE: ALL

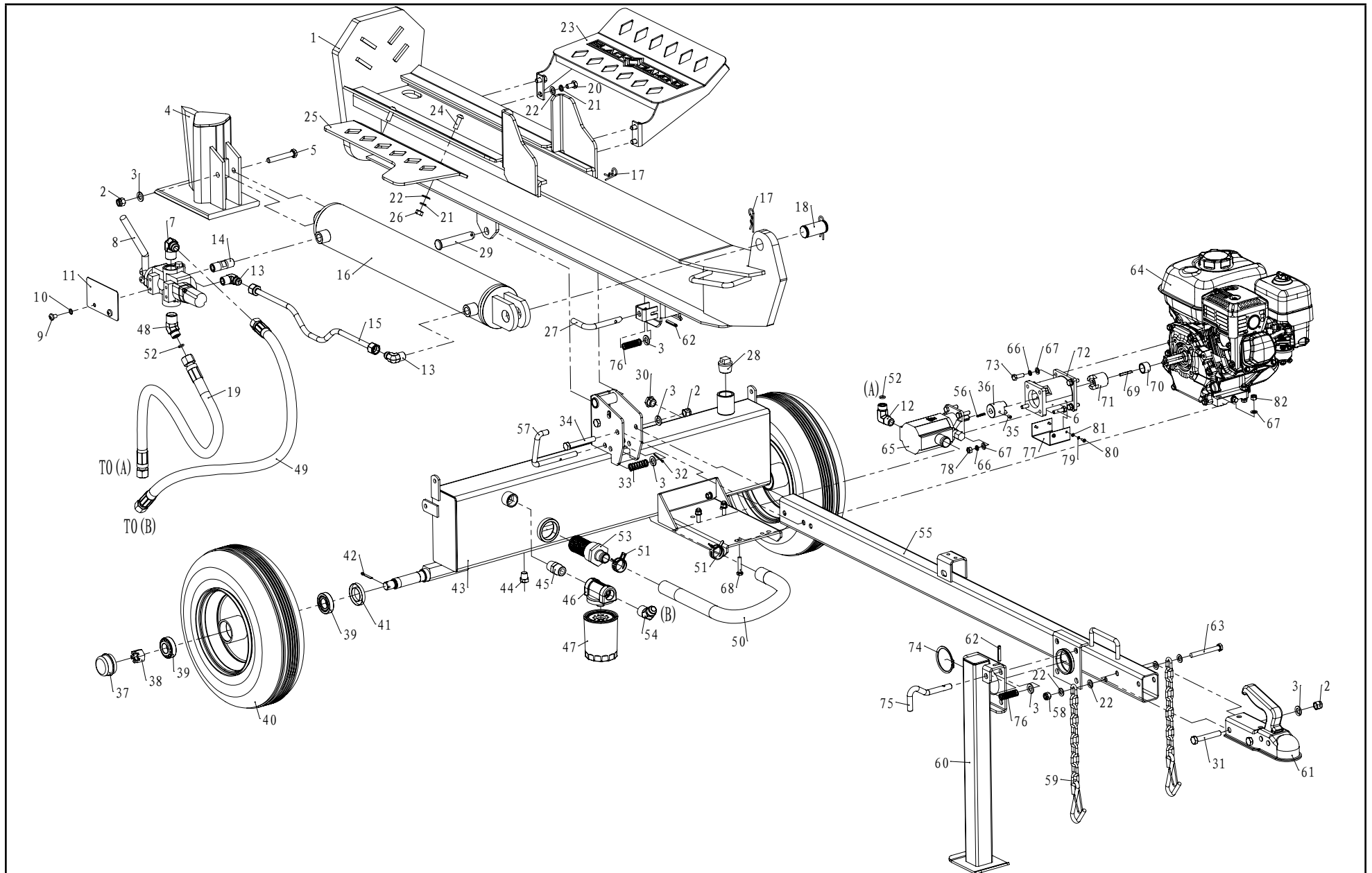


To order replacement parts please call:
1-888-376-7375.

TABLE OF CONTENTS

Log Splitter Parts Diagram.....	3
Log Splitter Parts List.....	4

LOG SPLITTER PARTS DIAGRAM



LOG SPLITTER PARTS LIST

#	Part Number	Description	Qty.
1	PMJ25E-01-00	Beam	1
2	G889.1-2000-M12	Lock Nut M12	5
3	G95-2000-12	Washer Ø12	8
4	PMJ25E-02-00	Wedge Slide	1
5	G5782-2000-M12-75	Bolt M12x75(12.9)	1
6	G5783-2000-M8-30	Bolt M8x30	4
7	PMJ25Y-23	JIC Connector, 90 Degree	1
8	PMJ25E-12	Control Valve	1
9	G818-2000-M8-12	Bolt M8x12	2
10	G859-1987-8	Washer Ø8	2
11	PMJ22J-19	Plate	1
12	PMJ25M-16	Outlet Connector Of Pump	1
13	PMJ25M-29	Right Angle Joiner	2
14	PMJ22M-22	Valve Joiner	1
15	PMJ25M-28	Hydraulic Hose(Valve-Cylinder)	1
16	PMJ25M-08-00B	Cylinder	1
17	GJY12-3	R Pin	3
18	PMJ25M-13	Wedge Pin	1
19	PMJ25M-15A	Hydraulic Hose(Valve-Pump)	1
20	G5781-2000-M10-20	Bolt M10x20	4
21	G93-1987-10	Lock Washer Ø10	6
22	G95-2000-10	Washer Ø10	10
23	PMJ25B-36-00	Log Catcher Bracket	1
24	G70.2-2000-M10-30	Bolt M10x30	2
25	PMJ25B-31	Short Log Catcher	1
26	G6170-2000-M10	Nut M10	2
27	PMJ25Y-14	Lock Pin	1
28	PMJ22G-18	Screw NPT 1 in.	1
29	PMJ25Y-19	Pin	1
30	G1160.2-89	Oil Scale	1

#	Part Number	Description	Qty.
31	G5782-2000-M12-75	Bolt M12x75	2
32	G95-2000-3.2-14	Cotter Pin 3.2x14	1
33	PMJ25Y-17	Spring	1
34	G5782-2000-M12-80	Bolt M12x80	2
35	G77-2000-M6-10	Screw M6x10	1
36	PMJ22G-26	Gear Pump Connector	1
37	PMJ22J-05-02	Axle Cap	2
38	G9459-1988-M20-1.5	Slotted Nut M20x1.5	2
39	L44634 LYC DS	Tapered Bearing	4
40	PMJ22D-05-03	Wheel	2
41	PMJ22J-05-01	Cased Seal	2
42	G91-2000-4-32	Cotter Pin Ø4x32	2
43	PMJ20B-04-00	Oil Tank	1
44	PMJ22G-19	Oil Plug	1
45	PMJ22Q-23	Through Joint	1
46	PMJ25M-20-00	Auto Filter Base	1
47	PMJ22G-52	Auto Filter	1
48	PMJ20J-17	Filter Housing "OUT" Connection	1
49	PMJ25Y-22	Hydraulic Hose(Valve-Oil Tank)	1
50	PMJ25M-17	Oil Pipe	1
51	PMJ25Y-38	Clamp d30	2
52	G3452.1-92-10-2.65	"O" Ring Ø10x2.65	2
53	PMJ22Q-20A	Internal Oil Filter	1
54	PMJ25Y-24	JIC Connector, 135 Degree	1
55	PMJ25E-03-00	Base Tube	1
56	G1096-1979-3.18-25.4	Flat Key 3.18x25.4	1
57	PMJ25Y-15	Pin	1
58	G889.1-2000-M10	Lock Nut M10	1
59	PMJ25M-18-00	Safety Chain With Hook	2
60	PMJ25Y-07-00	Front Support Leg	1

#	Part Number	Description	Qty.
61	PMJ27B-40	2-in. Coupler	1
62	G879.2-2000-6-40	Elastic Cylindrical Pin 6x40	2
63	G5782-2000-M10-85	Bolt M10x85	1
64	GX200UH2-QX2-R280	Engine	1
65	PMJ22J-14	Gear Pump	1
66	G93-1987-8	Lock Washer Ø8	8
67	G95-2000-8	Washer Ø8	12
68	G5782-2000-M8-40	Bolt M8x40	4
69	G1096-1979-5-36	Flat Key 5x36	1
70	PMJ22G-29	Engine Bushing	1
71	PMJ22G-28	Engine Connector	1
72	PMJ22G-27	Gear Pump Stand	1
73	ASME-B18.2.1-1996-516-24-1	Bolt 5/16 in.-24x1 in.	4
74	G894.1-86-63	Circlip Ø63	1
75	PMJ25Y-16	Lock Pin	1
76	PMJ25Y-18	Spring	2
77	PMJ22G-32	Connector Cover	1
78	G6170-2000-M8	Nut M8	4
79	G859-1985-4	Lock Washer Ø4	4
80	G818-2000-M4-10	Cross Head Screw M4x10	4
81	G848-1987-4	Washer Ø4	4
82	G889.1-2000-M8	Lock Nut M8	4