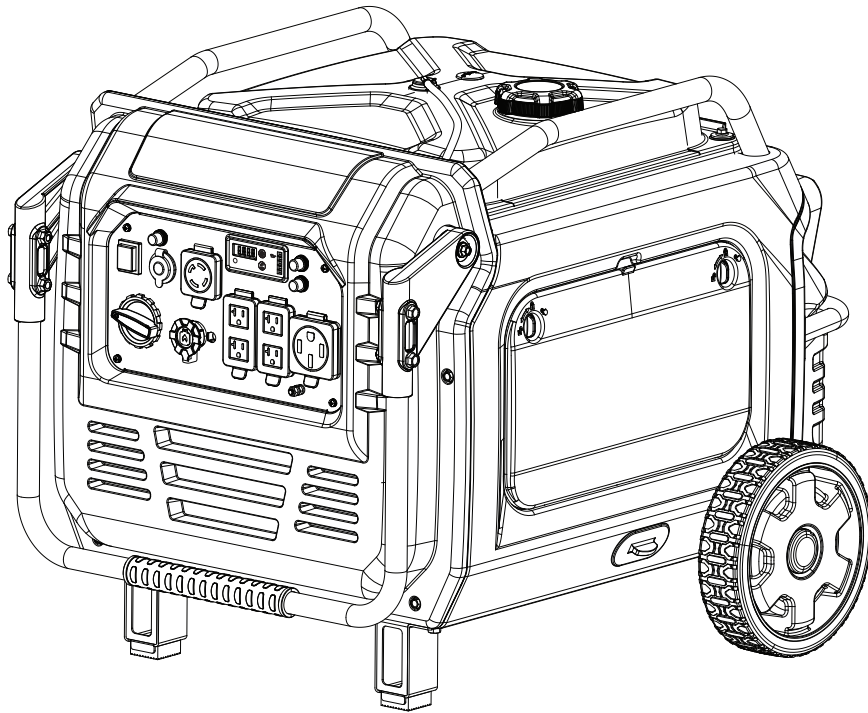




Champion Power Equipment, Inc.

**MODEL #201175**



## **PARTS INFORMATION**

**8500W DUAL FUEL ELECTRIC START INVERTER GENERATOR**

**SERIAL NUMBER RANGE: ALL**



To order replacement parts please visit:  
**[shop.championpowerequipment.com](http://shop.championpowerequipment.com)**  
or call **1-877-338-0999**.

## **TABLE OF CONTENTS**

<b>Inverter Generator Parts Diagram</b> .....	<b>3</b>
<b>Inverter Generator Parts List</b> .....	<b>4</b>
<b>Engine Parts Diagram</b> .....	<b>6</b>
<b>Engine Parts List</b> .....	<b>7</b>
<b>Cylinder Head Parts Diagram</b> .....	<b>9</b>
<b>Cylinder Head Parts List</b> .....	<b>10</b>
<b>Carburetor Parts Diagram</b> .....	<b>11</b>
<b>Carburetor Parts List</b> .....	<b>12</b>
<b>Frame Assembly Parts Diagram</b> .....	<b>13</b>
<b>Frame Assembly Parts List</b> .....	<b>14</b>
<b>Fuel Tank Parts Diagram</b> .....	<b>15</b>
<b>Fuel Tank Parts List</b> .....	<b>16</b>
<b>Control Panel Parts Diagram</b> .....	<b>17</b>
<b>Control Panel Parts List</b> .....	<b>18</b>
<b>Wiring Diagram</b> .....	<b>19</b>



## INVERTER GENERATOR PARTS LIST

#	Part Number	Description	Qty.
1	90001-000027	Hexagon Flange Bolt, M6 x 25, Black Zinc	9
2	51001-000001	Crossbar Tube, Ø25	1
3	16673-000001	Shield, Muffler Protection	1
4	18130-000004	Muffler Guard	1
5	18100-000043	Muffler Assembly	1
6	18150-000001	Exhaust Pipe, Muffler	1
7	90001-000062	Hexagon Flange Bolt, M8 x 40	2
8	90303-000004	Nut M8, Black Zinc	2
9	18001-000004	Exhaust Outlet Gasket	1
10	90001-000044	Hexagon Flange Bolt, M8 x 25, White Zinc	4
11	28110-000002	Shroud, Crankcase Cover	1
12	90002-000001	Hexagon Flange Bolt, M10 x 30, White Zinc	1
13	90408-000011	Flat Washer, White Zinc	1
14	19352-000004	Cooling Fan, Inverter	1
15	13515-000001	Mounting disc, Cooling Fan, Ø20 x Ø89 x 3.5	1
16	18003-000002	Muffler Guard, Inner	1
17	90001-000022	Hexagon Flange Bolt, M6 x 16, White Zinc	4
18	96003-Y51100-0025	Frame Assembly - See Figure H	1
19	16601-000005	Rubber sleeve, Access Panel	6
20	17003-000007	Air Cleaner Support	1
21	90001-000018	Hexagon Flange Bolt, M6 x 12, White Zinc	8
22	12081-000002	Clamp, Inlet Tube, M6 x 15	1
23	17100-000018	Air Cleaner	1
24	90001-000024	Hexagon Flange Bolt, M6 x 20, White Zinc	4
25	17150-000003	Element Assembly, Air Cleaner	1
26	17151-000006	Element, Air Cleaner	1
27	90124-000002	Self Tapping Screw, PT4x13	4
28	24329-000003	Block	4
29	80092-000024	Access Panel, Left	1
30	16527-000002	Spring, Stopper Adjusting	4

#	Part Number	Description	Qty.
31	35643-000005	Knob, Access Panel	4
32	90007-000011	Hexagon Flange Bolt, M6 x 16, White Zinc	1
33	90729-000017	Tube, Ø10 x Ø16.8 x 280	1
34	90001-000024	Hexagon Flange Bolt, M6 x 20, White Zinc	1
35	30008-000005	Control Module, EV02	1
36	80096-000023	Access Panel, Right	1
37	90001-000031	Hexagon Flange Bolt, M6 x 30, Black Zinc	4
38	90408-000024	Flat Washer, Ø6 x Ø32 x 1.5, Black Zinc	4
39	96003-Y16620-0029	Fuel Tank Assembly - See Figure F	1
40	35671-000002	Waterproof Strip	1
41	31110-000007	Battery, 12V/9Ah, 150 x 65 x 90	1
42	31112-000004	DC Wire Harness, Battery	1
43	31114-000005	DC Wire Harness, Engine	1
44	16638-000002	Protection Plate Mounting Seat	1
45	16527-000001	Spring, Stopper Adjusting	1
46	90722-000008	Plug, End	1
47	31115-000001	Strap, Battery	1
48	90103-000012	Screw, M5 x 12, Black Zinc	8
49	35720-000002	CO Alarm	1
50	17006-000001	Air Cleaner cushion	1
51	30041-000002	Inverter Cover	1
52	30214-000001	Gasket, Inverter Cover	1
53	30081-000012	Inverter, Bracket 1	1
54	30081-000013	Inverter, Bracket 2	1
55	30043-000013	Inverter, 6.8/7.5kW_120V/240V_60Hz	1
56	90007-000013	Hexagon Flange Bolt, M6 x 20, White Zinc	2
57	51150-000001	Guard Plate Assembly	1
58	90305-000011	Hexagon Flange Nut, M8, Black Zinc	2
59	30060-000007	Rectifier	1
60	30007-000002	Charger Module, EC0803	1

#	Part Number	Description	Qty.
61	90685-000013	Clamp, Ø8.5 x 0.6 x 8	2
62	90255-000001	Screw & Washer Assembly, M4 x 10, White Zinc	2
63	16750-000010	Fuel Switch	1
64	90129-000002	Self Tapping Tcrew, White Zinc	4
65	35160-000013	Switch, Engine	1
66	51136-000003	Regulator Mounting Plate	1
67	90001-000019	Hexagon Flange Bolt, M6 x 12, Black Zinc	4
68	77100-000012	Regulator, Auxiliary	1
69	90722-000013	Plug 1, End	1
70	90748-000002	Clamp, Ø10 x 16	2
71	90124-000003	Self Tapping Screw, PT5 x 16	1
72	35613-000005	Adapter, L14-30P to TT-30R	1
73	35191-000007	Wiring Harness, Microswitch	1
74	90305-000001	Hexagon Flange Nut, M4, Black Zinc	4
75	90722-000020	Plug 2, End	1
76	35680-000010	Control Panel Housing	1
77	90001-000023	Hexagon Flange Bolt, M6 x 16, Black Zinc	7
78	35643-000006	Switch Dial, Engine	1
79	90103-000006	Screw, M4 x 16, White Zinc	1
80	82007-000005	Decorative Cover	1
81	35610-000137	Control Panel Assembly - See Figure G	1
82	93130-000001	Spark Plug Socket	1
83	96100-R420DNVI-02	Engine, 420cc	1
84	19306-000003	Crankcase Air Deflector	1
85	90408-000002	Flat Washer	4
86	90001-000022	Hexagon Flange Bolt, M6 x 16, White Zinc	2
87	90001-000041	Hexagon Flange Bolt, M8 x 16, Black Zinc	2
88	90684-000003	Clip, L=100	1
89	30009-000019	Grounding Wire	1
90	90415-000002	Lock Washer, Toothed, Black Zinc	1
91	35613-000001	12VDC USB Adapter	1

#	Part Number	Description	Qty.
92	90007-000008	Hexagon Flange Bolt, M6 x 12, Black Zinc	10
93	18005-000003	Heat Insulation rubber, muffler inner cover, Up	1
94	18005-000004	Heat Insulation rubber, muffler inner cover, Down	1
95	16021-000003	Inlet Connection	1
96	18001-000005	Exhaust Outlet Gasket	1
97	90685-000010	Clamp, Ø10.5 x 0.8 x 8	1
98	28110-000036	Shroud, Muffler Guard	1
99	90001-000022	Hexagon Flange Bolt, M6 x 16, White Zinc	2
100	90007-000002	Hexagon Flange Bolt, M5 x 12, White Zinc	4
101	17199-000002	Clip Nut, M5, White Zinc	5
102	90007-000006	Hexagon Flange Bolt, M5 x 20, White Zinc	1
103	90305-000005	Hexagon Flange Nut, M6, White Zinc	2

# ENGINE PARTS DIAGRAM

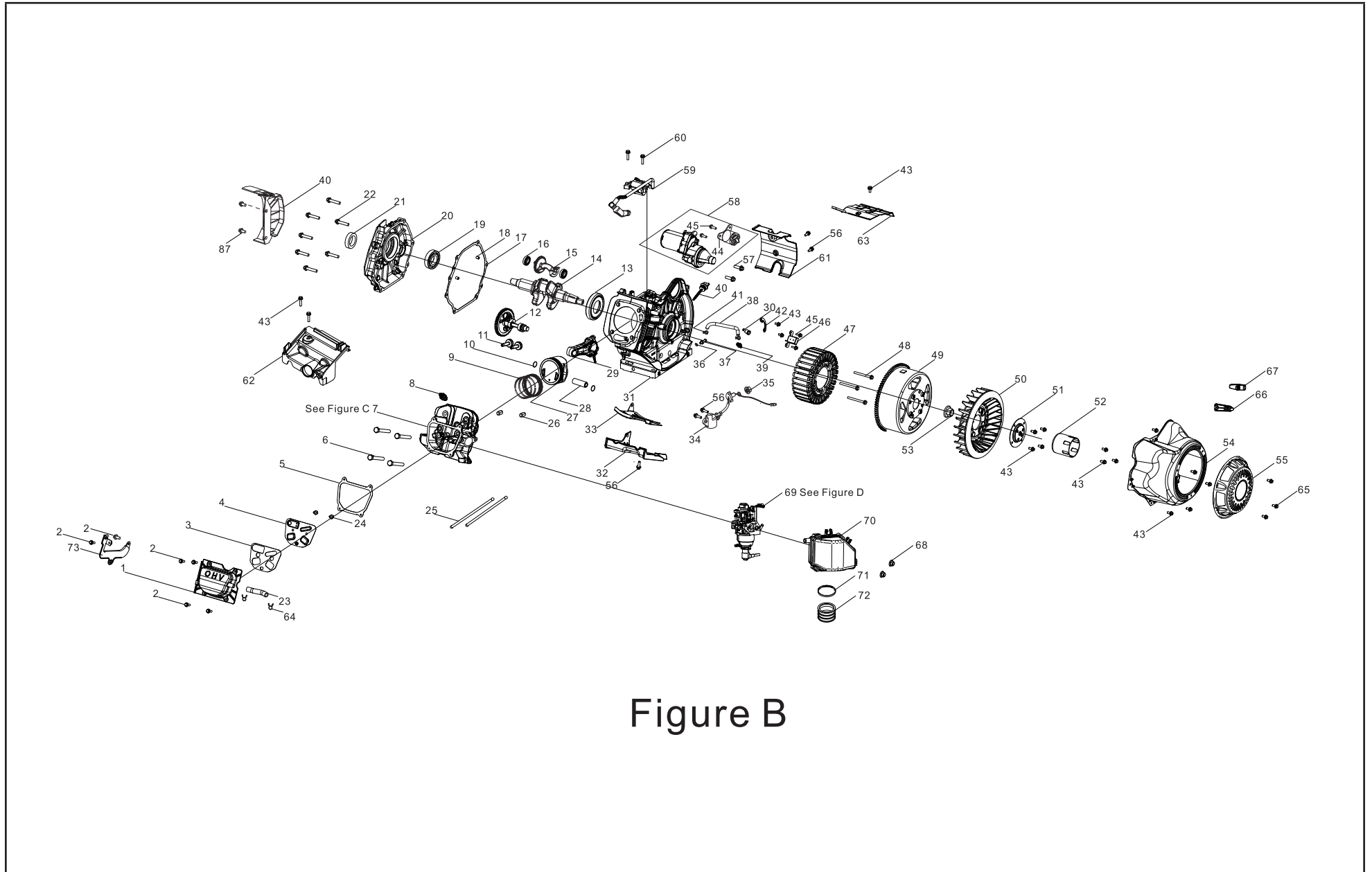


Figure B

**ENGINE PARTS LIST**

#	Part Number	Description	Qty.
1	12410-000007	Cylinder Head Cover Subassembly	1
2	90001-000024	Hexagon Flange Bolt, M6 x 20, White Zinc	6
3	11332-000002	Gasket, Breather Groove Cover	1
4	11320-000003	Breather	1
5	12004-000011	Cylinder Head Cover Gasket	1
6	12003-000004	Cylinder Head Bolt, M10 x 80, White Zinc	4
7	96003-Z12140-0041	Cylinder Head Assembly - See Figure C	1
8	30010-000003	Spark Plug, F7RTC	1
9	13200-000015	Piston Ring Assembly	1
10	13122-000002	Piston Pin Clip	2
11	14081-000003	Valve Tappet	2
12	14200-000007	Camshaft Assembly	1
13	90682-000005	Oil Seal, Ø40 x Ø52 x 9	1
14	13300-000013	Crankshaft Assembly	1
15	13400-000001	Balancing Shaft	1
16	90548-000001	Bearing, 6202	2
17	11001-000004	Crankcase Gasket	1
18	90502-000002	Pin, 8 x 12	2
19	90547-000009	Bearing, 6207	1
20	11411-000007	Crankcase Cover	1
21	90682-000006	Oil Seal, Ø35 x Ø52 x 7	1
22	90001-000050	Hexagon Flange Bolt, M8 x 40, White Zinc	7
23	17004-000015	Tube, Breather	1
24	90001-000003	Hexagon Flange Bolt, M5 x 12, White Zinc	2
25	14070-000002	Valve Lifter	2
26	90502-000008	Pin, 12 x 20	2
27	13111-000020	Piston	1
28	13121-000004	Piston Pin, Ø20 x Ø14.75 x 62	1
29	13010-000004	Connecting Rod	1
30	90689-000002	Joint, Fuel Tube, White Zinc	1

#	Part Number	Description	Qty.
31	11310-000008	Crankcase Subassembly	1
32	19305-000002	Cylinder Body Shroud 2	1
33	12014-000001	Head Air Deflector	1
34	37060-000006	Engine Oil Sensor, W/O Nut	1
35	90305-000014	Hexagon Flange Nut, M10, White Zinc	1
36	90408-000021	Flat Washer, Ø15.8	1
37	90689-000003	Connector, Fuel Tube	1
38	11011-000003	Oil Drain Hose Assembly	1
39	15030-000001	Oil Plug Subassembly	1
40	15010-000005	Oil Dipstick Subassembly	1
41	90685-000004	Clamp, Ø16 x 0.8 x 10	2
42	30002-000002	Magneto Wiring Clamp	1
43	90001-000018	Hexagon Flange Bolt, M6 x 12, White Zinc	17
44	30500-000001	Starting Relay	1
45	90001-000007	Hexagon Flange Bolt, M5 x 16, White Zinc	2
46	90001-000007	Hexagon Flange Bolt, M5 x 16, White Zinc	2
47	30130-000005	Trigger Assembly	1
48	30120-000030	Stator Component, Ø179 x 53	1
49	90007-000020	Hexagon Flange Bolt, M6 x 65, White Zinc	3
50	30110-000008	Rotor Component, Ø179 x 53	1
51	19352-000015	Cooling Fan, Engine	1
52	28020-000001	Starter Pulley Base	1
53	28002-000010	Starter Pulley, White Zinc	1
54	13510-000003	Flywheel Nut, M16 x 1.5, White Zinc	1
55	28110-000015	Shroud, Cooling Fan	1
56	28200-000015	Recoil Starter Assembly	1
57	90001-000022	Hexagon Flange Bolt, M6 x 16, White Zinc	5
58	90001-000044	Hexagon Flange Bolt, M8 x 25, White Zinc	2
59	30300-000008	Motor Assembly, Starting	1
60	30400-000036	Ignition Coil	1

#	Part Number	Description	Qty.
61	90001-000026	Hexagon Flange Bolt, M6 x 25, White Zinc	2
62	19351-000001	Rear Shield, Crankcase	1
63	12014-000005	Head Air Deflector 1	1
64	28118-000003	Block	1
65	90685-000015	Clamp, Ø14, White Zinc	2
66	90001-000014	Hexagon Flange Bolt, M6 x 8, Black Zinc	3
67	28004-000003	Guide plate combination, Start Pull Rope	1
68	28210-000002	Start Pull Handle	1
69	90305-000007	Hexagon Flange Nut, M6, White Zinc	2
70	96003-Z16100-0038	Carburetor Assembly, See Figure D	1
71	17400-000003	Secondary Air Cleaner	1
72	12081-000002	Clamp, Inlet Tube	1
73	12510-000002	Inlet Tube	1
74	51124-000006	Mounting Bracket	1

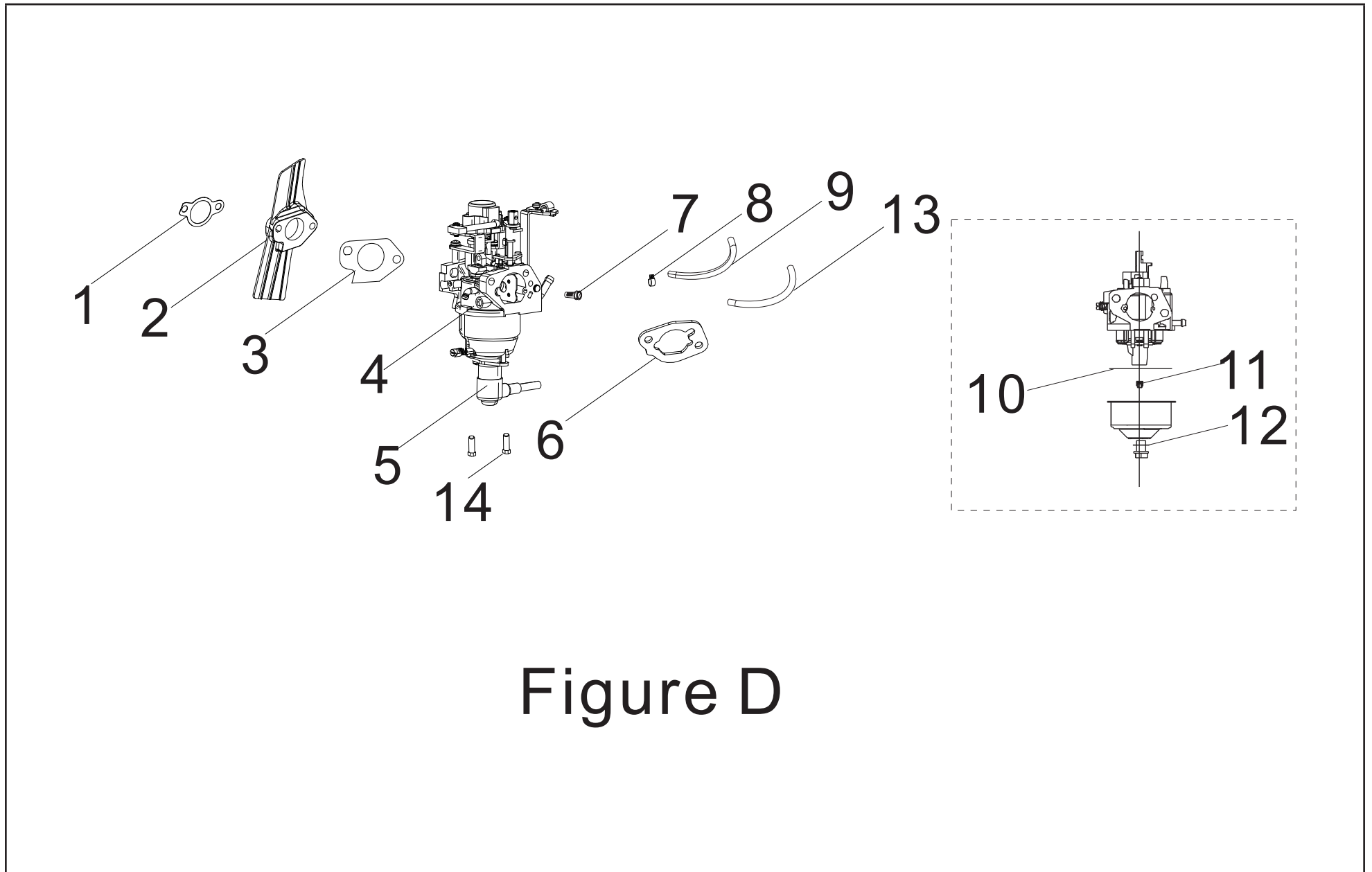




**CYLINDER HEAD PARTS LIST**

#	Part Number	Description	Qty.
1	14318-000006	Valve Rocker Shaft Subassembly	2
2	14310-000003	Valve Rocker Subassembly	2
3	90001-000018	Hexagon Flange Bolt, M6 x 12, White Zinc	1
4	12419-000002	Pin Plate, Cylinder Head Cove	1
5	12104-000001	Valve Adjusting Cap, Ø5.6 x Ø8.5 x 5.2	2
6	12107-000001	Valve Spring Retainer, Exhaust valve	2
7	12103-000009	Valve Spring, Ø19.1 x Ø2.5 x 38	2
8	12121-000003	Exhaust Valve	1
9	90204-000019	Stud, M8 x 47, Black Zinc	2
10	12140-000009	Cylinder Head	1
11	12111-000002	Intake Valve	1
12	90204-000011	Stud, M6/M8 x 110, Black Zinc	2
13	12131-000006	Cylinder Head Gasket	1
14	12101-000005	Seal Guide	1

## CARBURETOR PARTS DIAGRAM



### Figure D

## CARBURETOR PARTS LIST

#	Part Number	Description	Qty.
1	17002-000004	Gasket, Inlet	1
2	16003-000008	Carburetor Insulator Plate	1
3	16001-000003	Carburetor Gasket	1
4	16100-000068	Carburetor Assembly	1
5	16108-000008	Magnetic Valve	1
6	17001-000010	Air Cleaner Gasket	1
7	16652-000016	Fuel Filter	1
8	90685-000002	Clamp, Ø9 x Ø0.8 x 8	1
9	90686-000008	Fuel Tube, Ø4.5 x Ø8.5 x 260	1
10	16112-000011	Seal Ring, Float	1
11	16161-000077	Main Jet (105#), Standard	1
	16161-000078	Main Jet (108#), Altitude 3000-6000 Feet	/
	16161-000045	Main Jet (110#), Altitude 6000-8000 Feet	/
12	90681-000008	Seal Ring	1
13	30431-000010	Rubber Sleeve, Ø10xØ11x180	1
14	90102-000004	Hexagon Socket Bolt, M5 x 10, White Zinc	2

# FRAME ASSEMBLY PARTS DIAGRAM

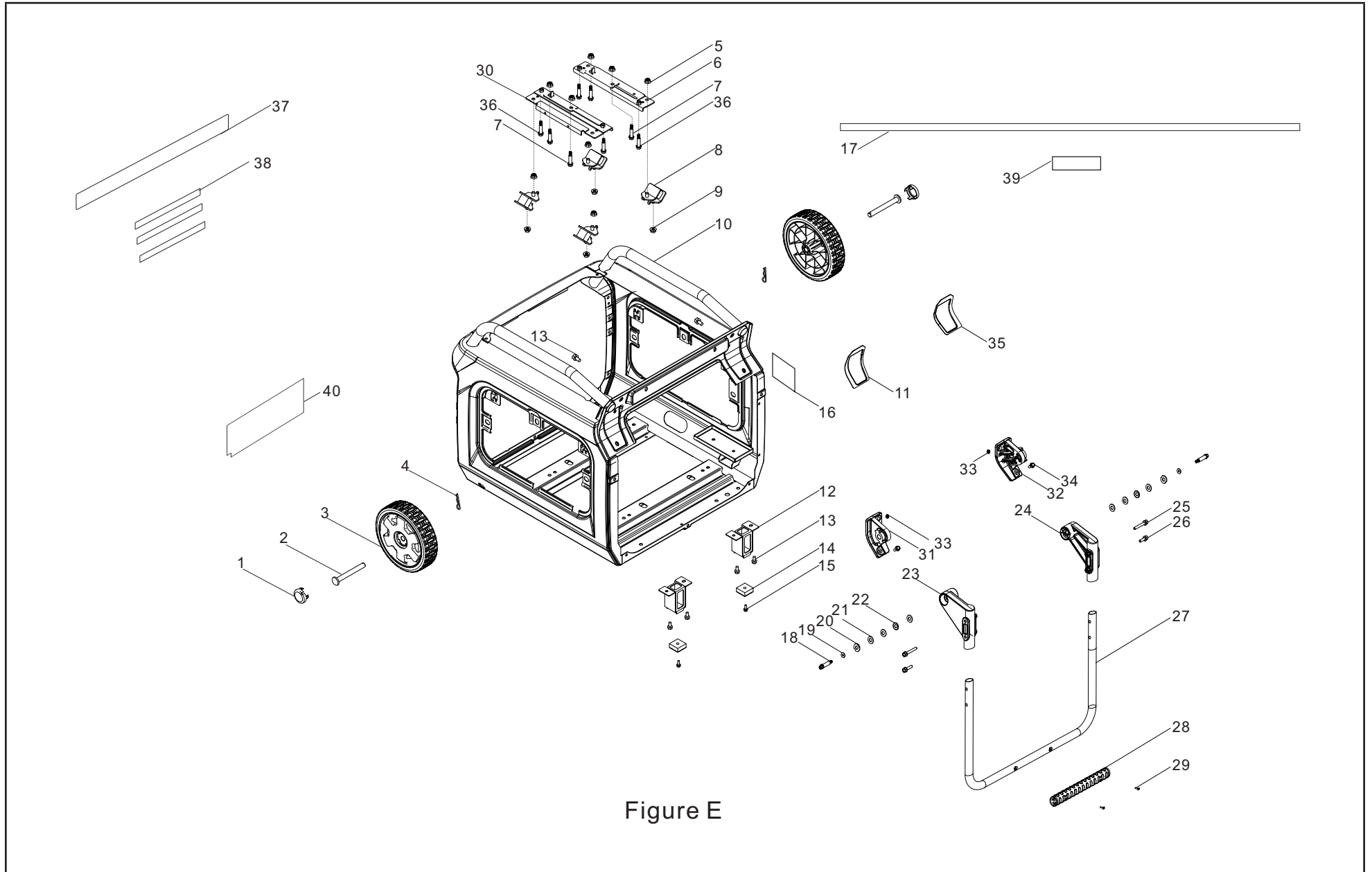


Figure E

**FRAME ASSEMBLY PARTS LIST**

#	Part Number	Description	Qty.
1	44001-000003	Cover, Hub Decorated	2
2	42002-000003	Axle, Black Zinc	2
3	44110-000008	Wheel, 9.5in, Yellow	2
4	90501-000004	B-Clip, White Zinc	2
5	90306-000001	Hexagon Flange Nut, M10, White Zinc	8
6	51002-000016	Engine base plate	1
7	90002-000002	Hexagon Flange Bolt, M10 x 40, White Zinc	4
8	51005-000009	Vibration Mount 1, Frame	4
9	90305-000010	Hexagon Flange Nut, M8, White Zinc	4
10	51100-000045	Frame Assembly	1
11	51198-000003	Sealing Strip, Right	1
12	51016-000005	Bracket, Support Leg	2
13	90001-000041	Hexagon Flange Bolt, M8 x 16, Black Zinc	6
14	51014-000005	Support Leg	2
15	90001-000023	Hexagon Flange Bolt, M6 x 16, Black Zinc	2
16	51198-000009	Sealing Strip, 100 x100 x 2	1
17	18212-000002	Sound-absorbing Cotton	1
18	71116-000001	Connecting Bolt, M8 x 1.25 x 11.5, Black Zinc	2
19	90412-000001	Flat Washer, Ø12.2 x 27 x 2	2
20	42017-000001	Locking Washer, White Zinc	2
21	90412-000002	Flat Washer, Ø13 x 25 x 1, White Zinc	4
22	90419-000002	Washer, Butterfly, Ø12.2 x 25 x 1 x 2, Black Zinc	4
23	54122-000003	Left Seat, Handle Tube Connecting	1
24	54122-000004	Right Seat, Handle Tube Connecting	1
25	90001-000052	Hexagon Flange Bolt, M8 x 45, Black Zinc	2
26	90001-000038	Hexagon Flange Bolt, M8 x 10, Black Zinc	2
27	54110-000011	Handle, Ø25 x 1.2	1
28	54101-000006	Handle Sheath, PMS 109C	1
29	90103-000007	Screw, M4 x 16, Black Zinc	2

#	Part Number	Description	Qty.
30	51002-000015	Engine base plate 1	1
31	54113-000002	Left Seat, Handle Tube Connecting	1
32	54113-000003	Right Seat, Handle Tube Connecting	1
33	90305-000011	Hexagon Flange Nut, M8, Black Zinc	2
34	90007-000021	Hexagon Flange Bolt, M8 x 20, Black Zinc	2
35	51198-000002	Sealing Strip, Left	1
36	71116-000002	Connecting Bolt, M8 x 1.25 x 11.5, Orange	4
37	51198-000001	Sealing Strip, 420x15x2	1
38	51198-000004	Sealing Strip, 330x10x2	3
39	51198-000010	Sealing Strip, 70x10x2	1
40	51198-000005	Sealing Strip, 153x68x2	1

# FUEL TANK PARTS DIAGRAM

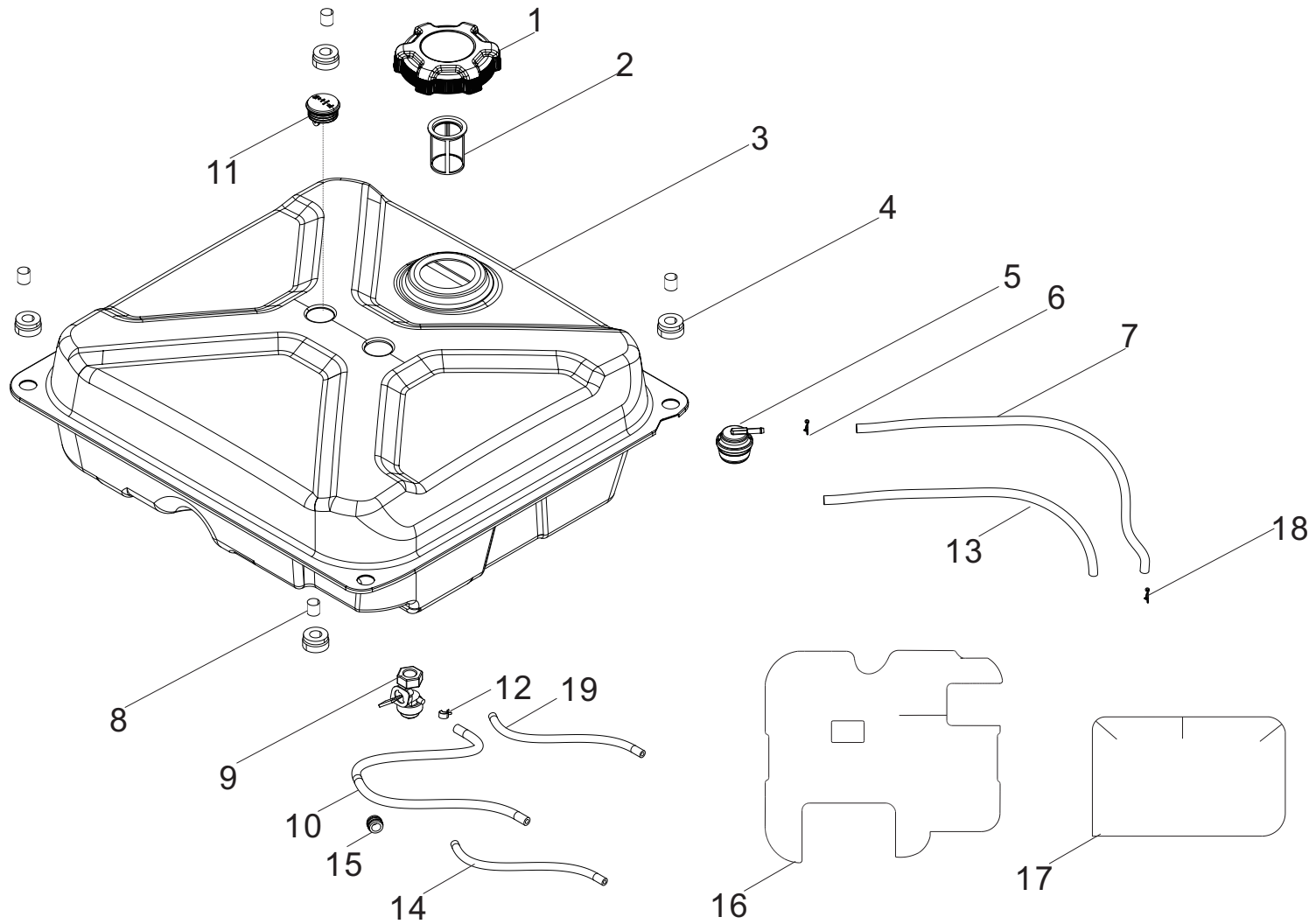


Figure F

## FUEL TANK PARTS LIST

#	Part Number	Description	Qty.
1	16730-000010	Fuel Tank Cap	1
2	16652-000009	Fuel Filter	1
3	16620-000008	Fuel Tank	1
4	16601-000001	Rubber Sleeve, Vibration Mount, Fuel Tank	4
5	15150-000003	One Way Valve	1
6	90740-000005	Clamp, Ø9, White Zinc	1
7	16805-000017	Connection Tube, Air Cleaner	1
8	90683-000001	Bushing, White Zinc	4
9	16750-000009	Fuel Valve Assembly	1
10	90686-000011	Fuel Tube, Ø4.5 x Ø8.5 x 340	1
11	37200-000012	Fuel Gauge	1
12	90685-000013	Clamp, Ø8.5 x 8 x 0.6	1
13	30431-000007	Rubber Sleeve, Ø9 x Ø11 x 300	1
14	30431-000013	Rubber Sleeve, Ø9.5 x Ø11 x 150	1
15	30431-000026	Rubber Sleeve, Ø8.5 x Ø17 x 17	1
16	82153-000006	Heat Insulation Cotton 1	1
17	82153-000007	Heat Insulation Cotton 2	1
18	90685-000002	Clamp, Ø9 x 0.8 x 8	1
19	30431-000025	Rubber Sleeve, Ø9.5 x Ø11 x 125	1



## CONTROL PANEL PARTS DIAGRAM

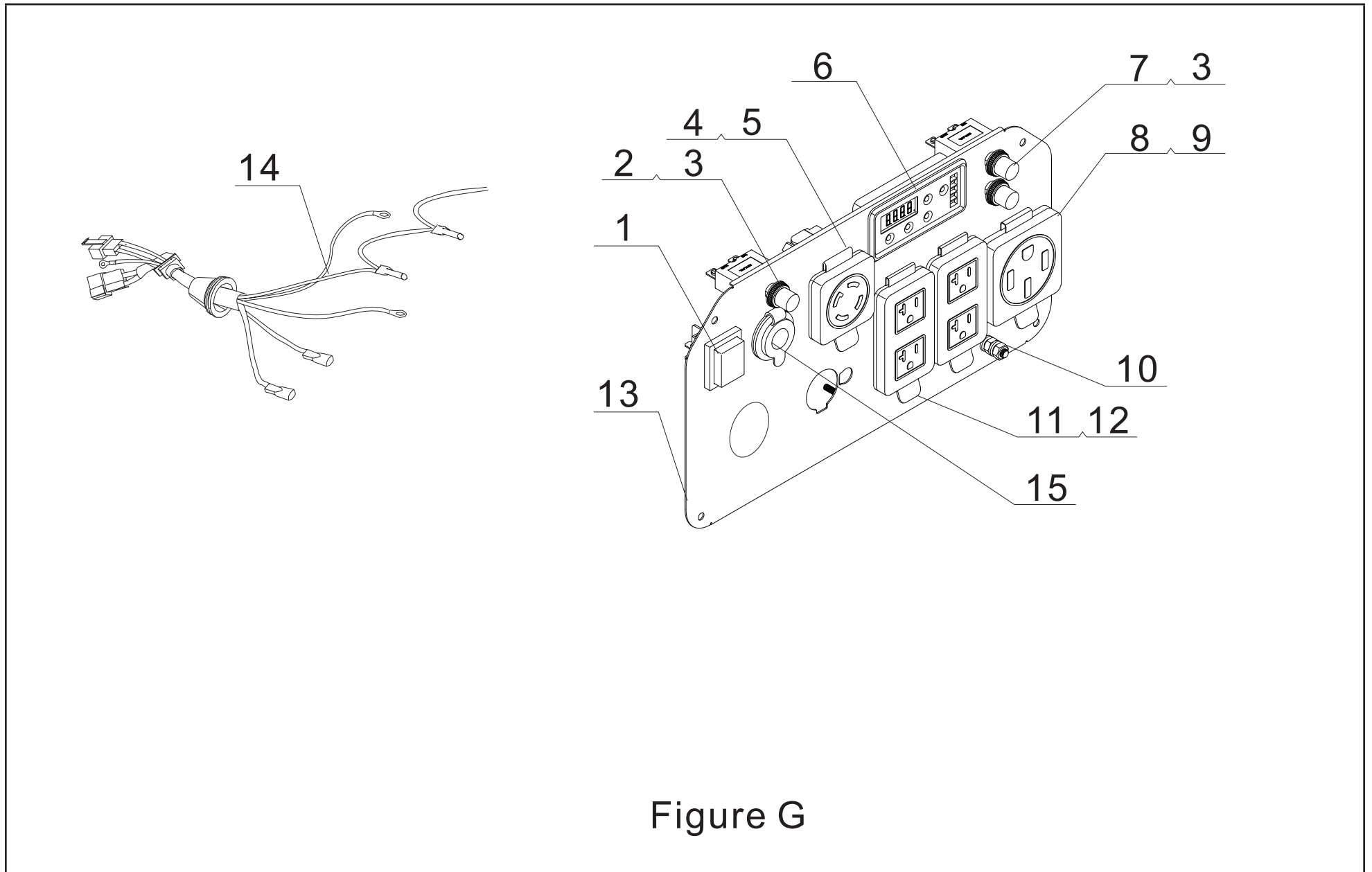


Figure G

**CONTROL PANEL PARTS LIST**

#	Part Number	Description	Qty.
1	35160-000011	Switch Assembly	1
2	31234-000002	Circuit Breaker, Push Botton, 125/250V_8A	1
3	35654-000005	Receptacle Cover,Circuit Breaker	3
4	35614-000004	Receptacle, 125V/250V/30A, L4-30	1
5	35654-000010	Receptacle Cover, L14-30	1
6	35632-000014	Intelliguage INT5CINV	1
7	31234-000003	Circuit Breaker, Push Botton, 125/250V_20A	2
8	35614-000012	Receptacle, 125V/250V, 14-50R	1
9	35654-000012	Receptacle Cover, 14-50R	1
10	35629-000001	Ground Termina Assembly	1
11	35614-000018	Receptacle, 20A/125V, GFCI	2
12	35654-000013	Receptacle Cover, GFCI	2
13	35650-000034	Control Panel	1
14	35660-000038	Cable, Control Panel	1
15	35619-000001	Automotive Receptacle, 12V DC	1

# WIRING DIAGRAM

