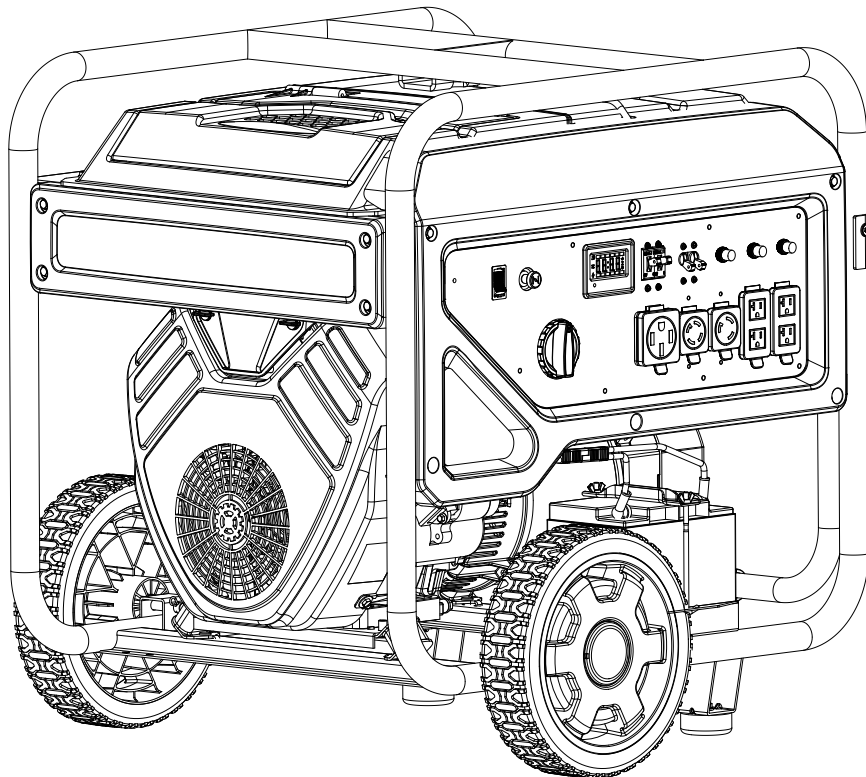




Champion Power Equipment, Inc., Santa Fe Springs, CA USA

MODEL #201160



PARTS INFORMATION

12,000W ELECTRIC START GENERATOR

SERIAL NUMBER RANGE: Y2201010001-Y221120117

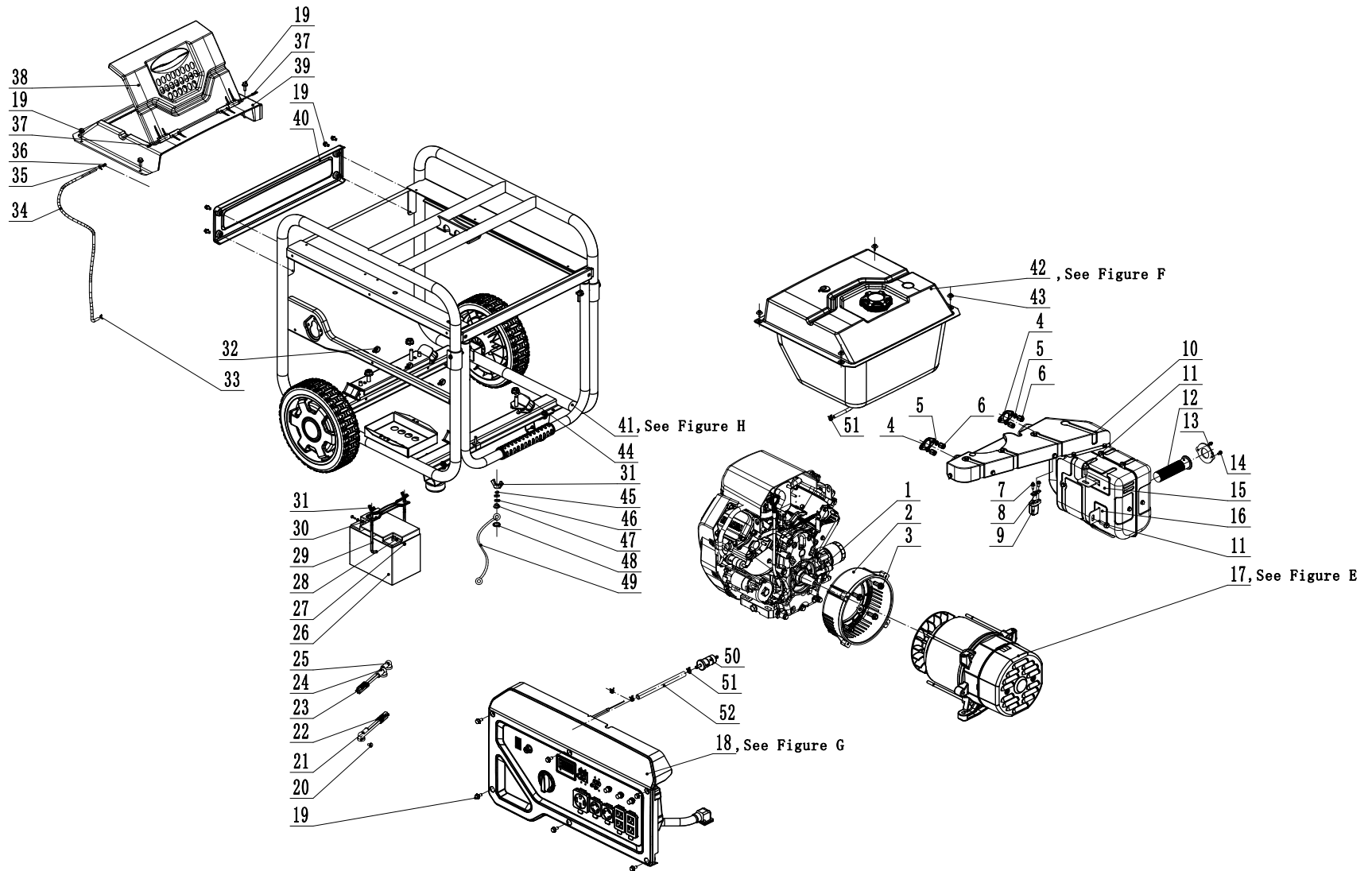


To order replacement parts please visit:
shop.championpowerequipment.com
or call **1-877-338-0999**.

TABLE OF CONTENTS

Generator Parts Diagram	3
Generator Parts List	4
Engine Parts Diagram	5
Engine Parts List	6
Cylinder Head 1 Parts Diagram	9
Cylinder Head 1 Parts List	10
Cylinder Head 2 Parts Diagram	11
Cylinder Head 2 Parts List	12
Carburetor Parts Diagram	13
Carburetor Parts List	14
Alternator Parts Diagram	15
Alternator Parts List	16
Fuel Tank Parts Diagram	17
Fuel Tank Parts List	18
Control Panel Parts Diagram	19
Control Panel Parts List	20
Frame Assembly Parts Diagram	21
Frame Assembly Parts List	22
Wiring Diagram	23

GENERATOR PARTS DIAGRAM



GENERATOR PARTS LIST

#	Part Number	Description	Qty.
1	717.602	Engine	1
2	172.190007.00	Crankcase Cover	1
3	1.5789.1022	Flange Bolt M10 x 22	4
4	717.100001.00	Gasket, Exhaust	2
5	1.93.08	Lock Washer Ø8	4
6	2.02.033	Nut M8	4
7	1.16674.0616	Flange Bolt M6 x 16	2
8	24.100300.03	Gasket, Secondary Air Intake Valve	1
9	717.100300.00	Secondary Air Intake Valve	1
10	717.101000.03	Muffler Assembly	1
11	1.16674.0820	Flange Bolt M8 x 20	2
12	717.101300.01	Spark Arrester Assembly	1
13	717.101503.01	Plate, Spark Arrester	1
14	1.9074.17.0612	Bolt/Washer Assembly M6 x 12	2
15	717.100005.01	Rubber Pillow 1, Muffler	1
16	717.100005.02	Rubber Pillow 2, Muffler	1
17	172.191000.06	Motor Assembly, Cu, Ø230 x 160 mm, See Figure E	1
18	201160.21	Control Panel Assembly, See Figure G	1
19	1.5789.0615.1	Flange Bolt M6 x 15, Black	14
20	1.5789.0612	Flange Bolt M6 x 12	1
21	122.200013.01.3	Jacket, Wire, Red	1
22	5.1900.164	Wire Harness, Engine	1
23	5.1900.165	Wire Harness, Battery	1
24	122.200013.04	Jacket, Wire, Black	1
25	122.200013.04.3	Jacket, Wire, Red	1
26	9.1000.330	Battery 12V33AH	1
27	1.16674.0512.2	Flange Bolt M5 x 12	2
28	1.6177.1.05	Lock Nut M5, Flange	2
29	152.200014.00	Curved Screws M6 x 150	2

#	Part Number	Description	Qty.
30	172.200902.00.2	Pressure Plate, Battery	1
31	1.62.06	Butterfly Nut M6	3
32	2.05.057	Clamp Ø13.5 x 6.5	3
33	2.06.004	Clamp Ø8 x Ø1	1
34	152.070014.04	Pipe, Air Cleaner, 670 mm	1
35	2.06.006	Clamp Ø7 x Ø1	1
36	24.070030.00	Hole, Breather Tube	1
37	172.200509.00	Pin, Top Cover	2
38	172.200505.00.48	Protector Cover	1
39	172.200501.00.48	Top Cover	1
40	172.200800.01.2	Decorative Plate, Black	1
41	61190.201160	Frame, Wheel Kit, See Figure H	1
42	172.071000.00.48	Fuel Tank, 41.20L, Yellow, See Figure F	1
43	2.08.143.1	Flange Bolt/Washer Assembly M6 x 20, Black	4
44	1.6177.1.10	Flange Lock Nut M10	4
45	1.93.06	Lock Washer Ø6	1
46	1.97.1.06.2	Washer Ø6	2
47	1.6177.1.06	Lock Nut M6, Flange	1
48	1.862.06	Lock Washer Ø6, Toothed	2
49	5.1900.172	Grounding Wire, 200 mm	1
50	717.070500.00	Fuel Filter	1
51	2.06.018	Clamp Ø10.5 x b8	4
52	172.070011.02	Fuel Tube, Fuel Valve to Carburetor, 530mm	1

ENGINE PARTS DIAGRAM

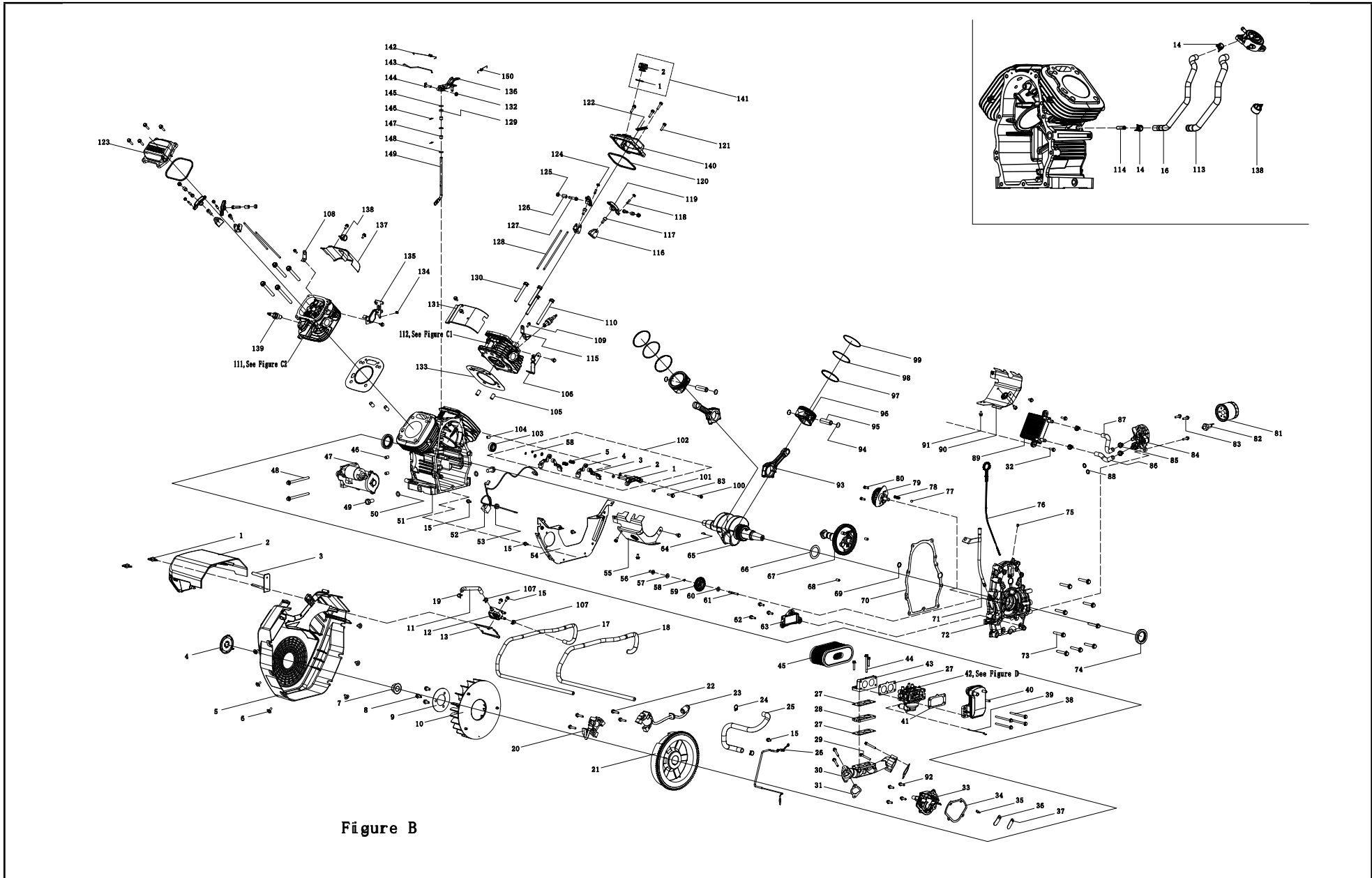


Figure B

ENGINE PARTS LIST

#	Part Number	Description	Qty.
1	717.091500.00	Retainer, AC Cover	2
2	717.091000.00	Cover, Air Filter, Petrol	1
3	717.091001.00	Retainer, A/C Filter, 60 mm	1
4	101747	Insert, Fan Cover Logo	1
5	717.080100.07	Cover, Fan, Screen&Cooler Ribs	1
6	2.08.083	Bolt, Hex Flange M6 x12	6
7	1.6177.20	Nut, M20 x 1.5 Flange	1
8	1.5789.0816	Hex Flange Bolt, M8 x 16	3
9	61.080005.00	Plate, Fan	1
10	717.080001.00	Fan, Cooling	1
11	717.070011.00	Hose, Fuel	1
12	82.073000.00	Pulse Pump, Fuel	1
13	717.070004.00	Bracket, Fuel Pump	1
14	2.06.027	Hose Clamp, Ø12 x b8	2
15	1.5789.0612	Hex Flange Bolt, M6 x 12	16
16	101350	Hose, Pulse Line	1
17	172.070011.03	Hose, Fuel Line,810 mm	1
18	717.070017.02	Protective Sleeve, Fuel Hose, 780 mm	1
19	2.06.018	Hose Clamp, Ø10.5 x b8	1
20	717.123000.05	Ignition Coil Assembly, Cylinder 1, EMC	1
21	100922	Flywheel Assembly	1
22	1.5789.0629	Hex Flange Bolt, M6 x 29	6
23	717.123000.06	Ignition Coil Assembly, Cylinder 2, EMC	1
24	2.06.009	Clamp, Ø17 x Ø1.5	2
25	717.030019.00	Tube, Breather	1
26	717.134101.00	Jumper Wire Assy, Solenoid	1
27	100258	Gasket, Carburetor	3
28	61.130001.00	Insulator, Carburetor	1
29	1.16674.0640	Hex Small Flange Bolt, M6 x 40	4
30	717.130012.00	Intake Manifold	1

#	Part Number	Description	Qty.
31	717.130011.00	Gasket, Intake Manifold	2
32	1.5789.0620	Hex Flange Bolt, M6 x 20	2
33	100486	Cover, Breather	1
34	100504	Gasket, Breather Cover	1
35	1.823.0410	Screw, Small Pan Head M4 x 10	2
36	101767	Retainer, Reed Valve	1
37	100693	Reed Valve	1
38	1.5789.0683	Hex Flange Bolt M6 x 83	4
39	717.110009.00	Link, Choke	1
40	100539	Elbow, Ac Intake Assembly Purge	1
41	717.090005.00	Gasket, Ac Assembly	1
42	717.131000.00	Carburetor Assy, See Figure D	1
43	61.130013.00	Connector, Carburetor	1
44	1.5789.0665	Hex Flange Bolt, M6 x 65	1
45	100275	Air Filter Assembly	1
46	100829	Pin, Dowel Ø10 x 14	2
47	61.125000.00	Motor Assy, 12V Solenoid Shift Starter	1
48	1.16674.08110	Hex Small Flange Bolt, M8 x 110	2
49	2.08.039	Bolt, Drain, M12 x 1.5 x 15	2
50	2.03.023	Washer, Drain Bolt, Ø12.5 x Ø20 x 2	2
51	102196	Crankcase Component	1
52	717.120800.00	Diode Assembly, Engine Stop	1
53	2.12.004	Grommet Ø9.5 x 10	1
54	100470	Air Board, Assy, Internal Oil Cooler	1
55	717.080500.01	Air Guide, Outer Cylinder 1 Assembly	1
56	45.110012.00	Bushing, Governor Gear	1
57	2.03.053	Washer, Ø6.2 x Ø17 x 0.8	1
58	21.110011.00	Clip, Retaining	3
59	61.110100.00	Gear Assy, Governor	1
60	2.03.054	Washer, Ø6.2 x Ø15 x 1	1

#	Part Number	Description	Qty.
61	45.110013.00	Shaft, Governor Gear	1
62	1.5789.0620	Hex Flange Bolt, M6 x 20	3
63	61.150300.00	Oil Filter Component	1
64	2.14.005	Key, Flywheel, 4 x 5.5 x 12.5	1
65	717.051101.04	Assembly, Crankshaft - Taper Pto	1
66	2.03.026	Washer, Crankshaft Thrust, Ø39 x Ø54 x 1.2	1
67	101454	Camshaft Assembly	1
68	2.04.002	Location Pin Ø8 x 14	2
69	100596	O-Ring Ø12 x Ø3.5	1
70	100261	Gasket, Crankcase Cover	1
71	100726	Tube, Oil Dipstick Assembly	1
72	100268	Cover, Crankcase	1
73	1.5789.0850	Hex Flange Bolt, M8 x 50	9
74	2.11.010	Seal, Pto Oil, Ø38 x Ø58 x 9	2
75	61.030011.00	Plug, Crankcase Cover	1
76	100699	Blade Assembly, Oil Dipstick	1
77	1.308.9.5	Ball Ø9.5, Steel Check Valve	1
78	61.150004.00	Spring, Compression	1
79	61.151000.00	Pump Assembly, Oil	1
80	1.70.0616	Screw, M6 x 16, Socket Head Cap	2
81	100916	Filter, Oil	1
82	102446	Switch, Low Oil Shut-Down 0.6 Bar	1
83	1.16674.0625	Hex Small Flange Bolt, M6 x 25	4
84	101719	Base Assembly, Oil Filter With Oil Cooler And Oil Pressure Switch	1
85	100847	Clamp Ø17, Oil Hose	4
86	100942	Hose 2, Oil Line	1
87	100941	Hose 1, Oil Line	1
88	2.07.004	O-Ring Ø12 x Ø2.5	2
89	101723	Oil Cooler Assy, Internal Mount	1
90	717.080600.01	Air Guide, Outer, Cylinder 2 Assembly	1
91	1.5789.0608	Hex Flange Bolt, M6 x 8	2

#	Part Number	Description	Qty.
92	1.16674.0620	Hex Small Flange Bolt, M6 x 20	4
93	717.050200.00	Assy, Connecting Rod	2
94	2.09.009	Retainer, Piston Pin, Ø17 x Ø1	4
95	100968	Pin, Piston, Ø17 x 53.8 mm	2
96	102024	Piston, 78 mm, 2.75 mm, Dish Ceramic Crown	2
97	102289	Ring Assembly, Oil Control	2
98	102286	Ring, Piston, 2nd	2
99	102285	Ring, Top Piston	2
100	1.16674.0616	Hex Small Flange Bolt, M6 x 16	1
101	2.04.005	Pin, Ø8x10, Location	1
102	101478	Follower Assembly, Camshaft	1
1	101475	Follower Pivot Assembly, Camshaft	1
2	2.03.021.1	Washer, Governor Shaft, Ø6.4 x Ø13 x 1	4
3	100485	Follower, Camshaft	2
4	61.040019.01	Follower, Camshaft	2
5	61.041001.00	Spring, Support	2
103	1.276.6003.1	Bearing, Roller Ø35 x Ø17 x 10	1
104	717.030026.01	Plug, Npt1/8-27 Hexagon Socket	1
105	2.04.004	Pin, Ø12 x 20 Location	4
106	100170	Bracket, Governor Spring	1
107	2.06.054	Hose Clamp, Ø12.8	2
108	717.010003.00	Lift Strap	1
109	1.16674.0820	Hex Small Flange Bolt, M8 x 20	2
110	2.08.122	Bolt, Hex Flange M10 x 1.25	2
111	717.010000.01	Cylinder Head Assembly 1, See Figure C 2	1
112	717.010000.02	Cylinder Head Assembly 2, See Figure C 1	1
113	101366	Protective Sleeve, Pulse Line	1
114	101349	Pipe	1
115	717.010003.01	Lift Strap With Baffle	1
116	717.040202.00	Bracket, Rocker Arm	4
117	1.70.1.0816	Screw, M8 x 16 Socket Head Cap	4
118	22.040012.00	Adjusting, Lash	4

#	Part Number	Description	Qty.
119	717.040200.02	Rocker Arm	4
120	101644	Gasket, Rocker Cover	2
121	1.5789.0625	Hex Flange Bolt, M6 x 25	8
122	101880	Clamp, 100 mm	1
123	102263	Rocker Cover Assembly	1
124	21.040021.00	Jam Nut, M6 x 0.5 mm Pitch	4
125	1.6170.08	Hex Nut, Gb6170, M8	4
126	717.040016.00	Sleeve, Rocker Arm	4
127	2.08.086	Bolt, M8 x 1.25 Hhw Special	4
128	717.040005.00	Push Rod	4
129	2.11.006	Shaft Oil Seal, Ø7 x Ø14 x 5	1
130	2.08.014	Bolt, Hex Flange M10 x 80	6
131	717.080300.02	Air Guide Assembly, Inner Cyl #2	1
132	1.6177.06	Nut, M6 Hexagon Flange	1
133	717.030009.00	Gasket Assembly, Cylinder Head	2
134	45.135001.20	Clip, Clevis	1
135	717.111100.00	Choke Control Assembly, Bowden Wire	1
136	100178	Lever, Governor Arm	1
137	717.080300.01	Air Guide, Inner Cylinder 1 Assy	1
138	100270	Clamp Ø17, Breather Tube	2
139	2.15.002	Spark Plug, F6RTC	2
140	102261	Rocker Cover Assembly, Oil Fill	1
141	102357	Cap, Oil Fill Assembly	1
1	2.07.001	Seal, Cap Oil Fill, Ø25.5 x Ø3.5	1
2	101813	Cap, Oil Fill	1
142	102427	Spring, Link Take Up	1
143	100329	Link, Governor	1
144	2.08.107	Bolt, Governor Arm	1
145	2.03.019	Washer, Ø8.2 x Ø17 x 0.8	1
146	61.110008.00	Pin, Shaft	2

#	Part Number	Description	Qty.
147	1.5801.0810	Bearing, Roller	2
148	1.97.1.08	Washer Ø8	2
149	61.110001.00	Shaft, Governor	1
150	100432	Spring, Governor	1

CYLINDER HEAD 1 PARTS DIAGRAM

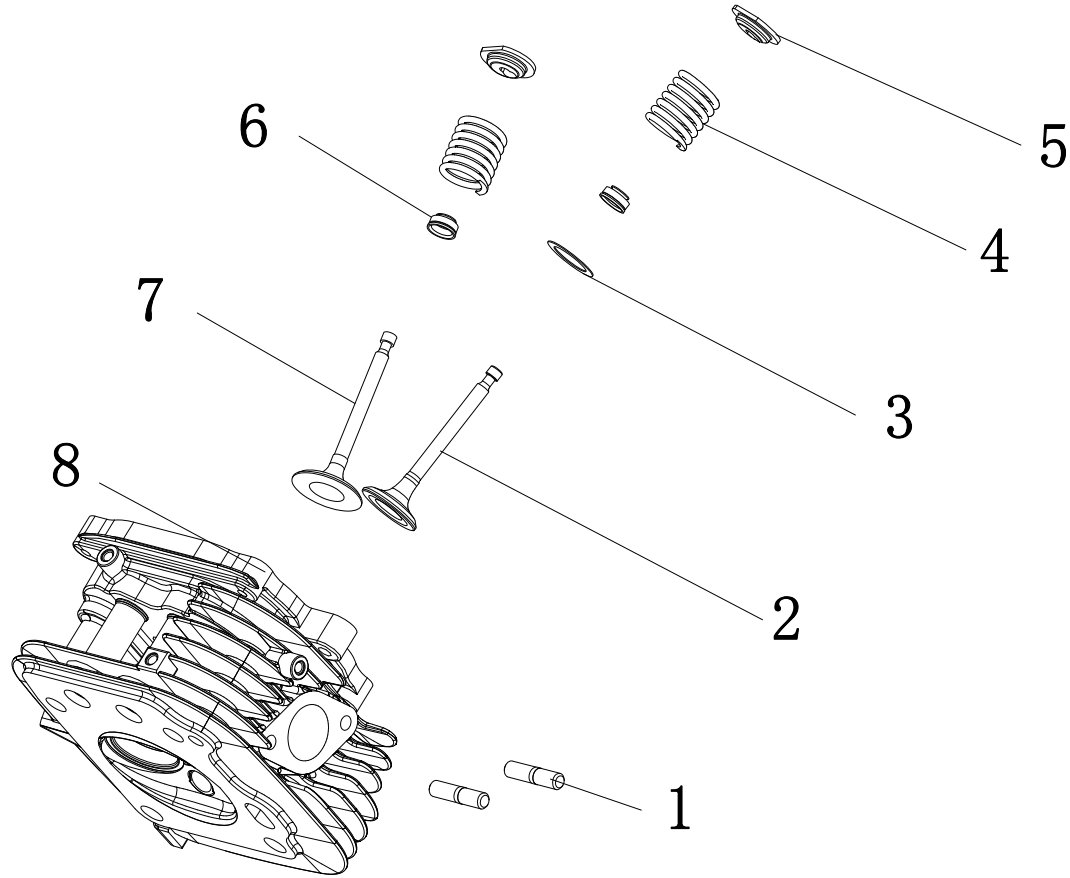


Figure C1

CYLINDER HEAD 1 PARTS LIST

#	Part Number	Description	Qty.
1	2.01.010	Bolt M8 x 35, Exhaust Stud	2
2	717.040006.00	Valve, Exhaust	1
3	717.040015.00	Shim, Valve Spring	1
4	45.040003.00	Spring, Valve	2
5	45.040001.00	Retainer, Intake Valve	2
6	717.040017.00	Oil Seal, Valve Stem	2
7	45.040002.00	Valve, Intake	1
8	717.010100.22	Head Assembly, Cylinder 2	1

CYLINDER HEAD 2 PARTS DIAGRAM

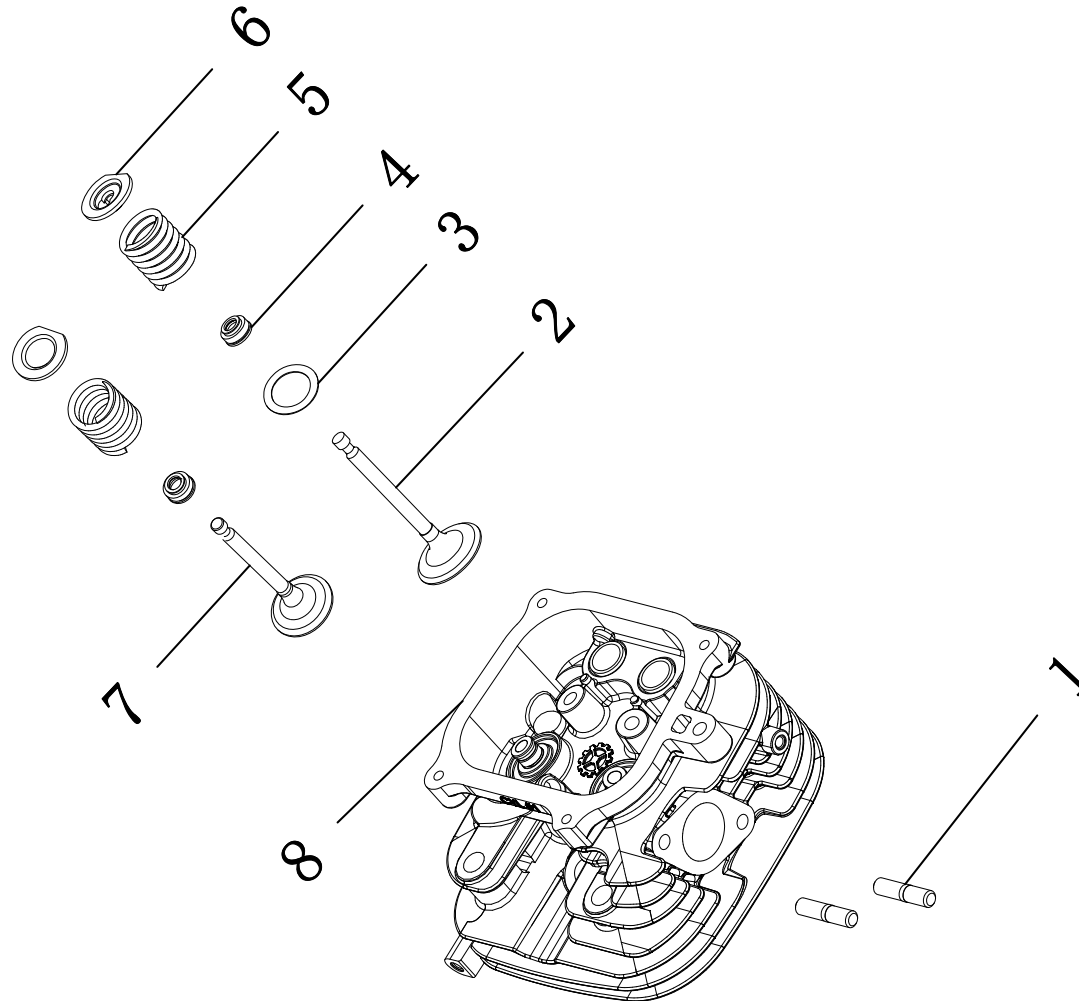


Figure C2

CYLINDER HEAD 2 PARTS LIST

#	Part Number	Description	Qty.
1	2.01.010	Bolt M8 x 35, Exhaust Stud	2
2	717.040006.00	Valve, Exhaust	1
3	717.040015.00	Shim, Valve Spring	1
4	717.040017.00	Oil Seal, Valve Stem	2
5	45.040003.00	Spring, Valve	2
6	45.040001.00	Retainer, Intake Valve	2
7	45.040002.00	Valve, Intake	1
8	717.010100.21	Head Assembly, Cylinder 1	1

CARBURETOR PARTS DIAGRAM

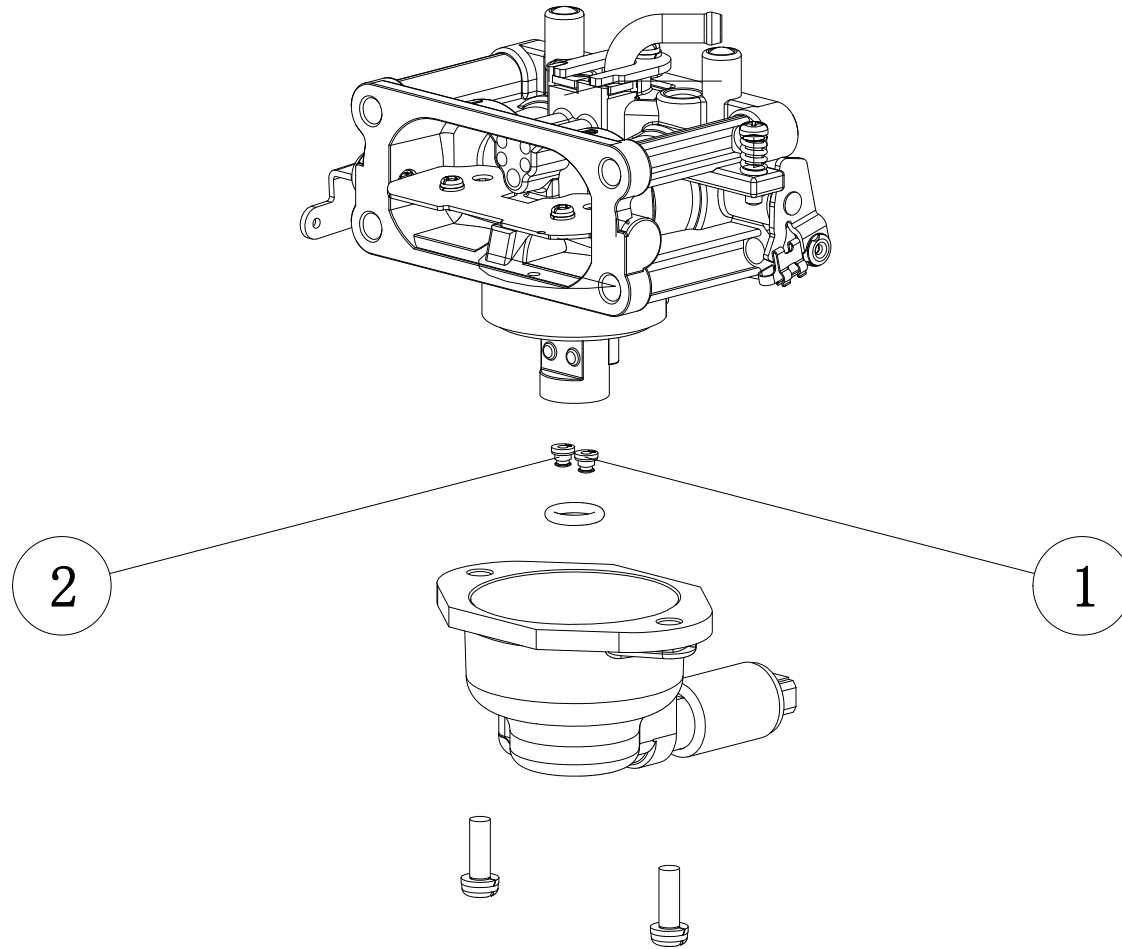


Figure D

CARBURETOR PARTS LIST

#	Part Number	Description	Qty.
1	717.131017.00.20	Main Jet Compl - Right	1
	717.131017.00.16	Main Jet Compl, High Altitude - Right	1
2	717.131017.00.24	Main Jet Compl - Left	1
	717.131017.00.20	Main Jet Compl, High Altitude - Left	1

ALTERNATOR PARTS DIAGRAM

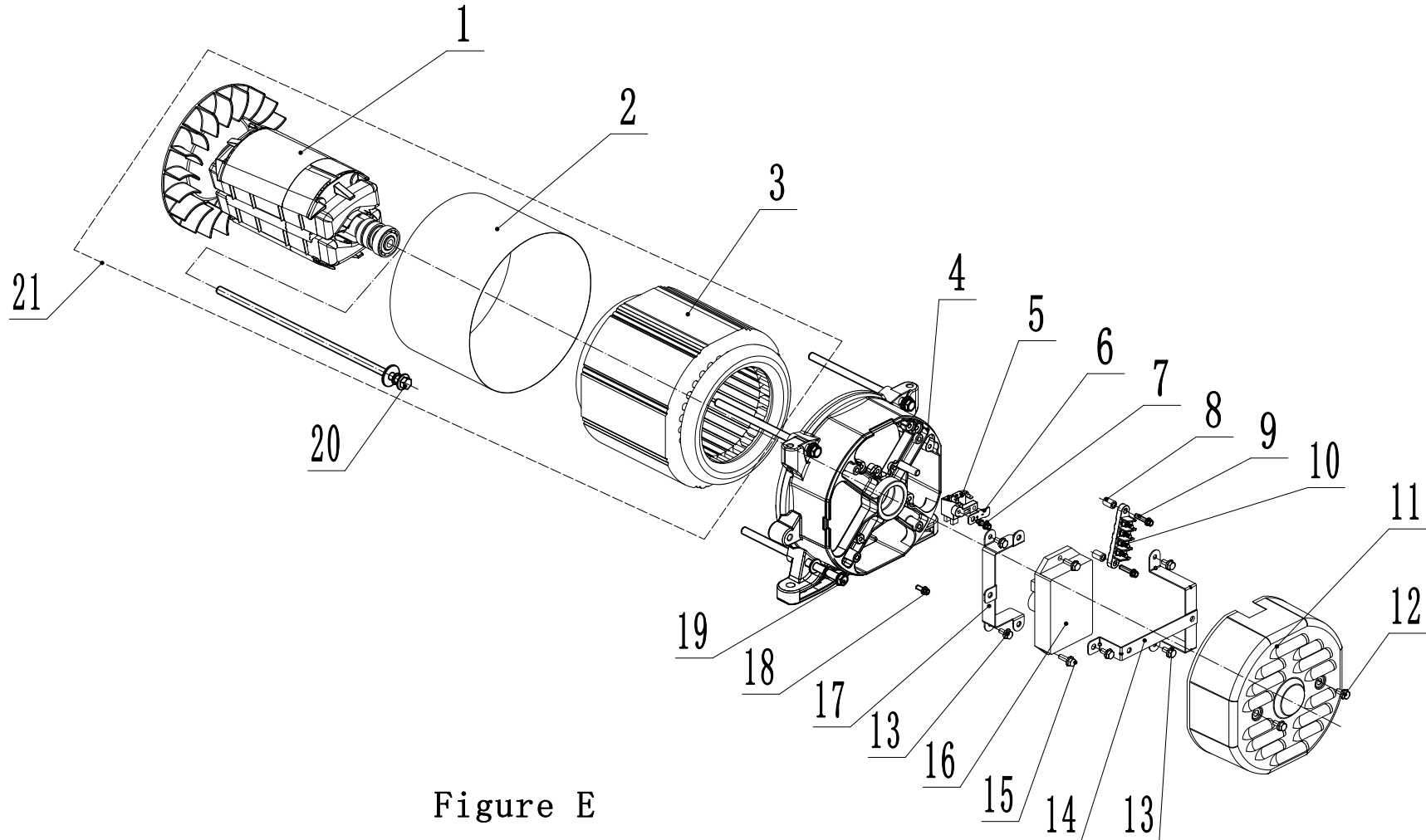


Figure E

ALTERNATOR PARTS LIST

#	Part Number	Description	Qty.
1	172.191100.00	Rotor Assembly, Cu, Ø230 x 160 mm	1
2	172.191002.00	Cover, Stator	1
3	172.191200.06	Stator Assembly, Cu, Ø230 x 160 mm	1
4	172.190002.00	End Housing	1
5	161.190300.00	Carbon Brush Assembly	1
6	122.190004.01	Pinch, Carbon Brush	1
7	1.9074.15.0520	Bolt/Washer Assembly M5 x 20	1
8	2.13.030	Bushing, Ø6 x Ø14 x 15	2
9	1.16674.0516	Flange Bolt M5 x 16	2
10	172.190400.00	Terminal Block	1
11	172.190003.00.48	End Cover, Generator, Yellow	1
12	1.5789.0610	Flange Bolt M6 x 10	2
13	1.5789.0612	Flange Bolt M6 x 12	5
14	172.190202.00	Holder 1, AVR	1
15	1.5789.0615	Flange Bolt M6 x 15	2
16	172.190200.00	AVR	1
17	172.190202.01	Holder 2, AVR	1
18	1.16674.0516	Flange Bolt M5 x 16	1
19	2.08.112	Flange Bolt M8 x 210	4
20	2.08.129	Flange Bolt/Washer Assembly, M10 x 320	1
21	172.191000.06	Motor Assembly,Cu, Ø230 x 160 mm, DC 12V	1

FUEL TANK PARTS DIAGRAM

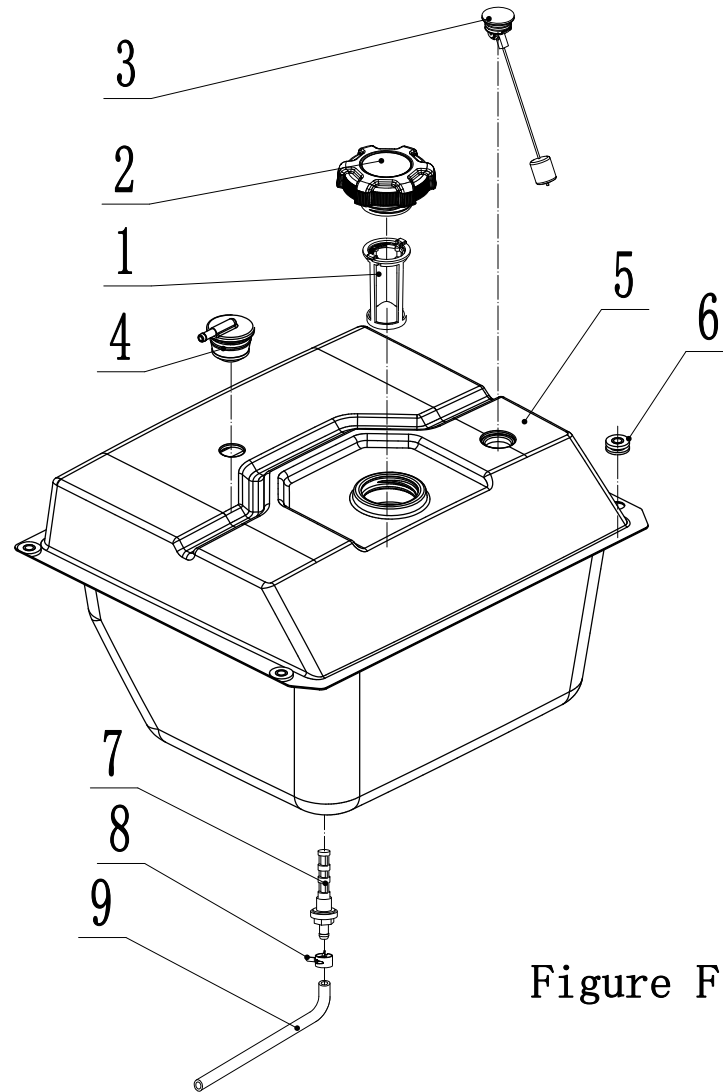


Figure F

FUEL TANK PARTS LIST

#	Part Number	Description	Qty.
1	122.070300.03	Fuel Filter Assembly	1
2	122.070100.09	Fuel Tank Cap	1
3	172.072000.01	Fuel Gauge Assembly	1
4	152.070800.00	Reversal Valve	1
5	172.071000.00.48	Fuel Tank, 41.2L, Yellow	1
6	122.070015.01	Mount Vibration, Fuel Tank	4
7	63.070600.00	Fitting, Fuel Tank	1
8	2.06.018	Clamp Ø10.5 x b8	1
9	172.070011.01	Fuel Tube, 65 mm	1

CONTROL PANEL PARTS DIAGRAM

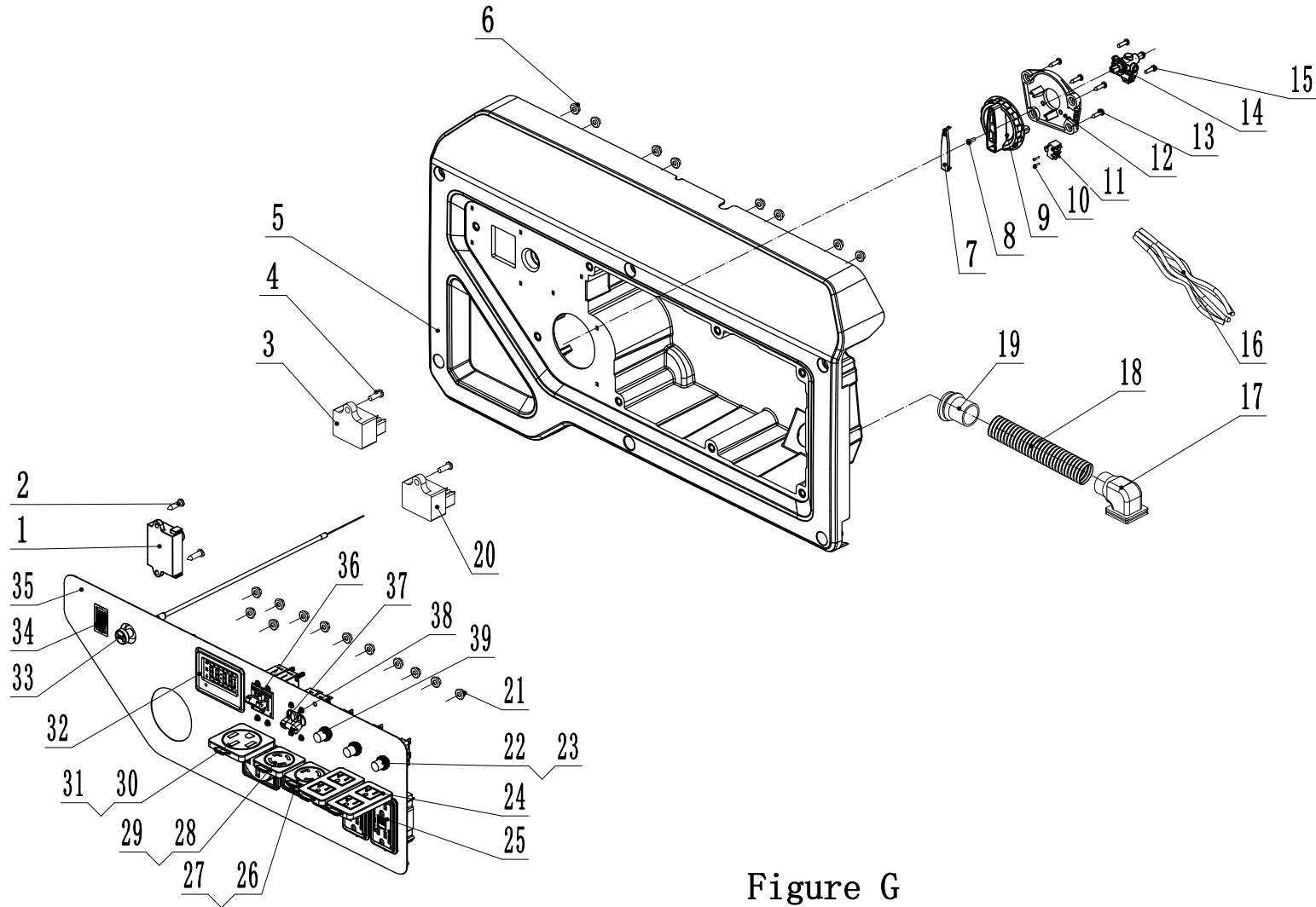


Figure G

CONTROL PANEL PARTS LIST

#	Part Number	Description	Qty.
1	5.1830.026	Module, CO Shutdown	1
2	1.845.4216	Screw, ST4.2 x 16	2
3	5.1810.008	Over Voltage Protector, CSA	1
4	1.818.0514.2	Screw M5 x 14	2
5	172.210002.02	Control Box, CSA	1
6	1.6177.1.05	Lock Nut M5, Flange, Black	8
7	172.139007.01.48	Cover Rotary Knob, Yellow	1
8	1.9074.4.0414.1	Screw/Washer Assembly M4 x 14, Black	1
9	172.139001.01	Rotary Knob	1
10	1.845.0.2216	Screw, ST2.2 x 16	2
11	5.1050.006	Double Switch	1
12	172.139004.01	Fixed Plate	1
13	1.845.4816	Screw, ST4.8 x 16	4
14	63.070400.00	Fuel Valve	1
15	1.818.0410	Screw M4 x 10	2
16	201160.21.10	Wire Harness Assembly	1
17	172.210003.02	Plug, Control Box	1
18	5.1320.024	Sheath, Wire	1
19	152.210003.03	Wire Jacket, Control Box	1
20	5.1820.009	Charger Module	1
21	1.6177.1.04.1	Lock Nut M4, Flange, Black	12
22	5.1210.920	20Amp Circuit Breaker, Push Button, CSA	2
23	5.1870.014	Circuit Breaker Cover, Push Button	3
24	5.1870.022	Receptacle Cover, Receptacle 5-20R, Duplex GFCI	2
25	5.1120.050	Receptacle 5-20R, Duplex GFCI	2
26	5.1120.023	Receptacle L5-30R, CSA	1
27	5.1870.023	Receptacle Cover,Receptacle L5-30R	1
28	5.1120.026	Receptacle L14-30R, CSA	1
29	5.1870.020	Receptacle Cover,Receptacle L14-30R	1

#	Part Number	Description	Qty.
30	5.1120.044	Receptacle 14-50R, CSA	1
31	5.1870.024	Receptacle Cover,Receptacle L14-30R	1
32	5.1470.006	Intelligauge, INT2BOF	1
33	85.130300.01	Pull Choke Assembly	1
34	5.1000.007.3	Ignition Switch, Red	1
35	172.289.1.2	Control Panel	1
36	5.1241.950	50Amp Circuit Breaker, Double Pole, CSA	1
37	5.1240.930	30Amp Circuit Breaker, Double Pole, CSA	1
38	1.9074.4.0306.1	Screw/Washer Assembly M3 x 6, Black	8
39	5.1210.930	30Amp Circuit Breaker, Push Button, CSA	1

FRAME ASSEMBLY PARTS DIAGRAM

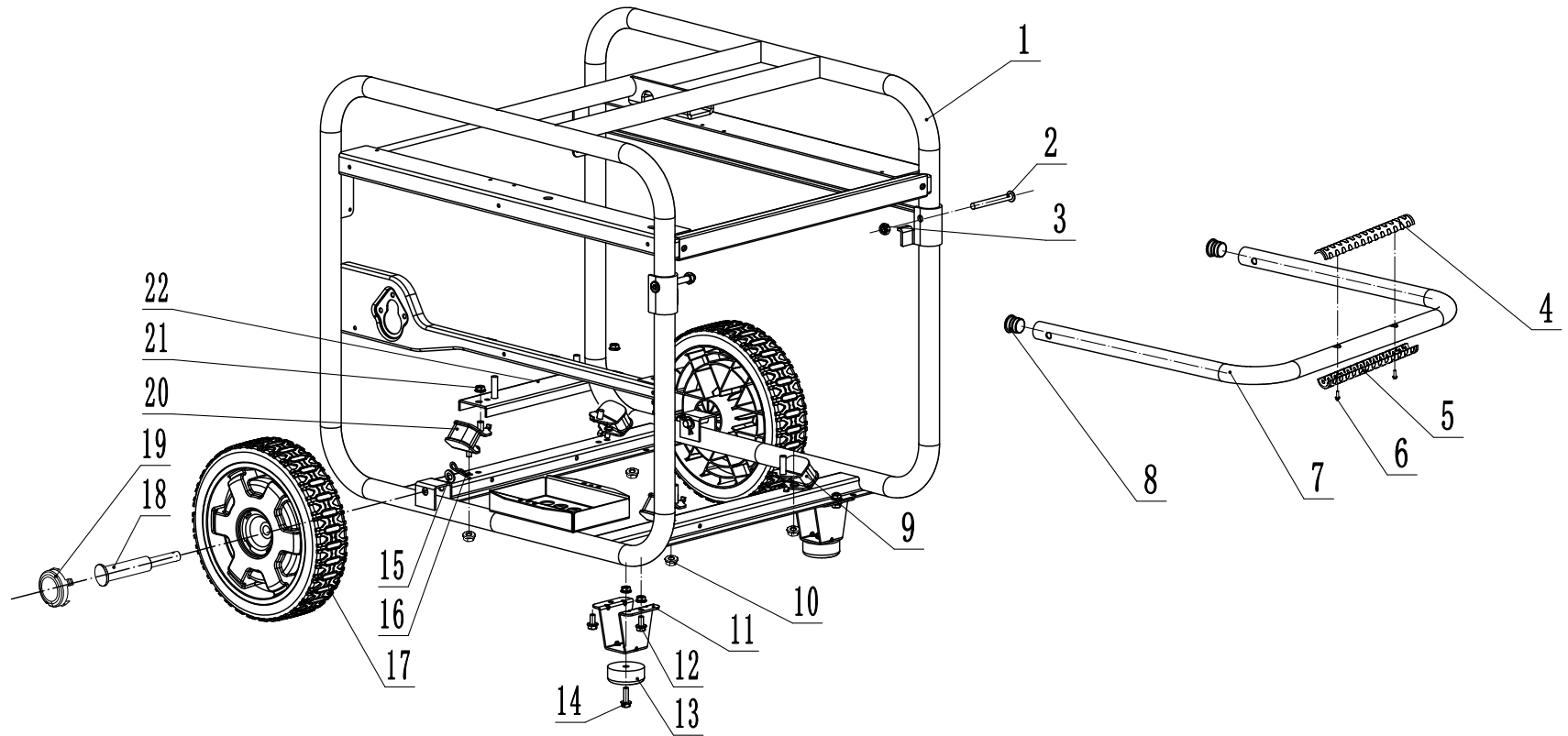
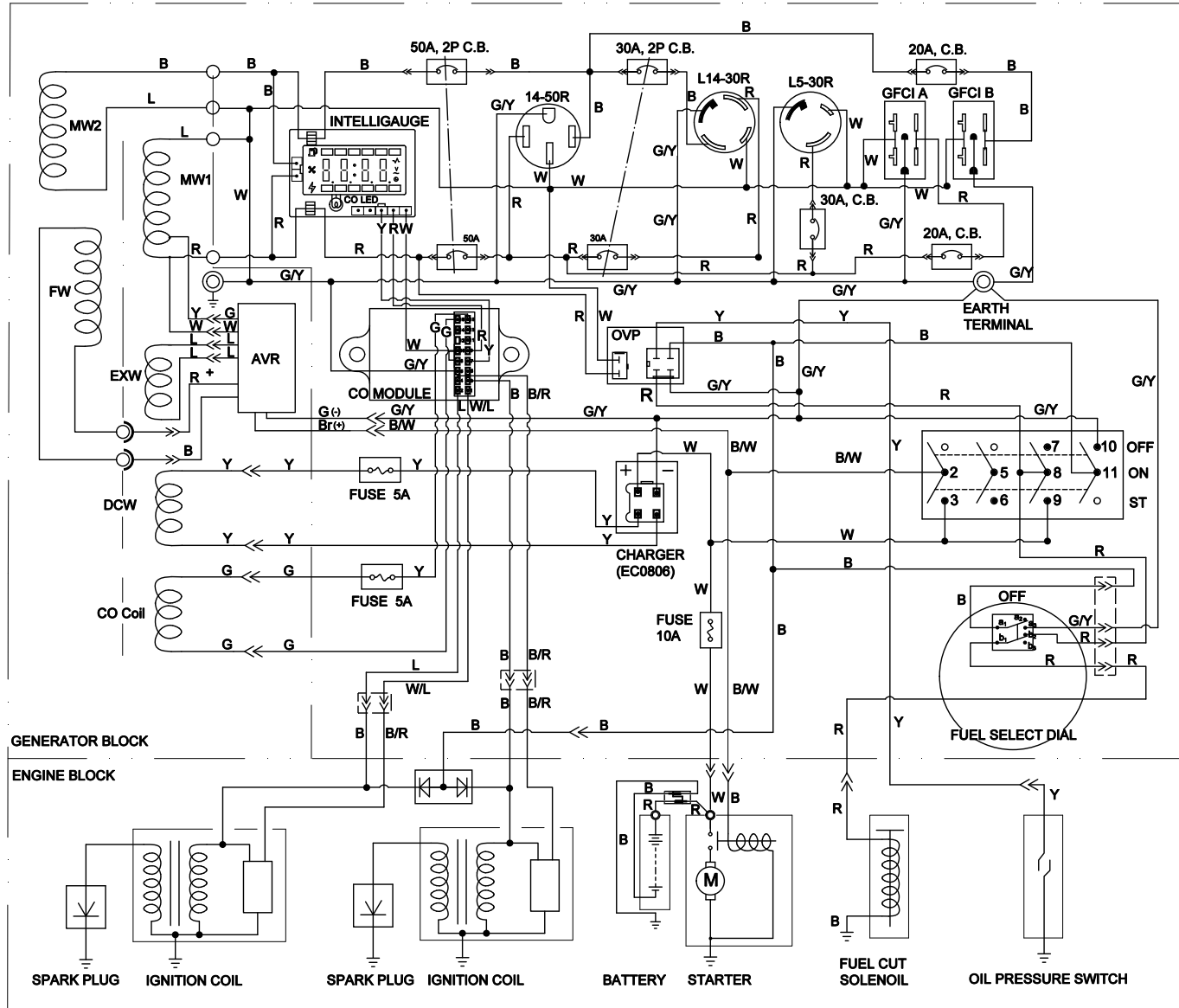


Figure H

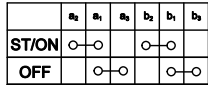
FRAME ASSEMBLY PARTS LIST

#	Part Number	Description	Qty.
1	61190.0.2	Frame, 830 x 675.5 x 735	1
2	2.08.191.1	Bolt M10 x 90, Black	2
3	1.6182.10.1	Lock Nut M10 x 1.5, Black	2
4	172.200702.02.48	Cover, Handle, Lower, Yellow	1
5	172.200702.01.48	Cover, Handle, Upper, Yellow	1
6	1.9074.4.0414.1	Screw/Washer Assembly M4 x 14, Black	2
7	172.200701.01.2	Handle, U Shape, Black	1
8	171.201001.01	Plug, Handle	2
9	171.201200.01	Motor Mount 2	2
10	1.6177.1.08	Lock Nut M8, Flange	9
11	172.200002.00.2	Support Leg	2
12	1.5789.0816	Flange Bolt M8 x 16	4
13	152.201400.00	Rubber, Support	2
14	1.5789.0825	Flange Bolt M8 x 25	2
15	1.848.12.1	Washer Ø12, Black	2
16	2.16.001.1	Pin Ø2 x 33, "R" Shape, Black	2
17	172.201701.01.48	12 in. Wheel, PU, Yellow	2
18	172.201501.00.1	Pin Roll, Wheel, Ø16 x Ø12 x 116, Black	2
19	254.201702.04.48	Wheel Cover, Tooth Profile 12 in, Yellow	2
20	172.201200.00	Motor Mount 1	2
21	1.6177.1.10	Flange Lock Nut M10	2
22	172.201600.00.2	Supporter, Engine	1

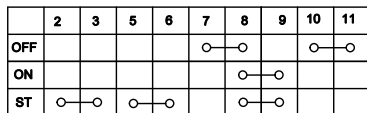
WIRING DIAGRAM



FUEL SELECT DIAL



COMBINATION SWITCH



B	BLACK	Bf	BROWN
Y	YELLOW	B/W	BLACK WHITE
L	BLUE	W/G	WHITE GREEN
G	GREEN	G/Y	GREEN YELLOW
R	RED	W/L	WHITE BLUE
W	WHITE	B/R	BLACK RED