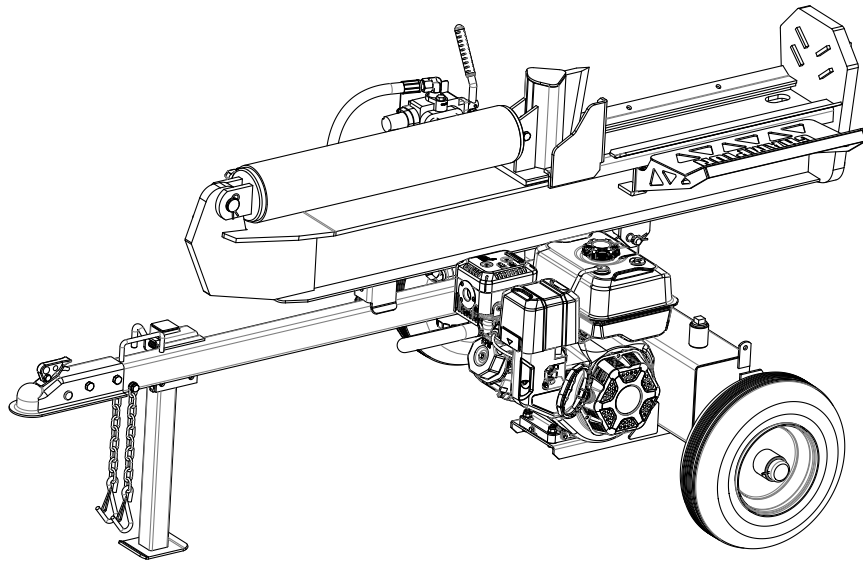




Champion Power Equipment, Inc.

MODEL #201313



PARTS INFORMATION

32-TON GAS POWERED LOG SPLITTER

SERIAL NUMBER RANGE: ALL

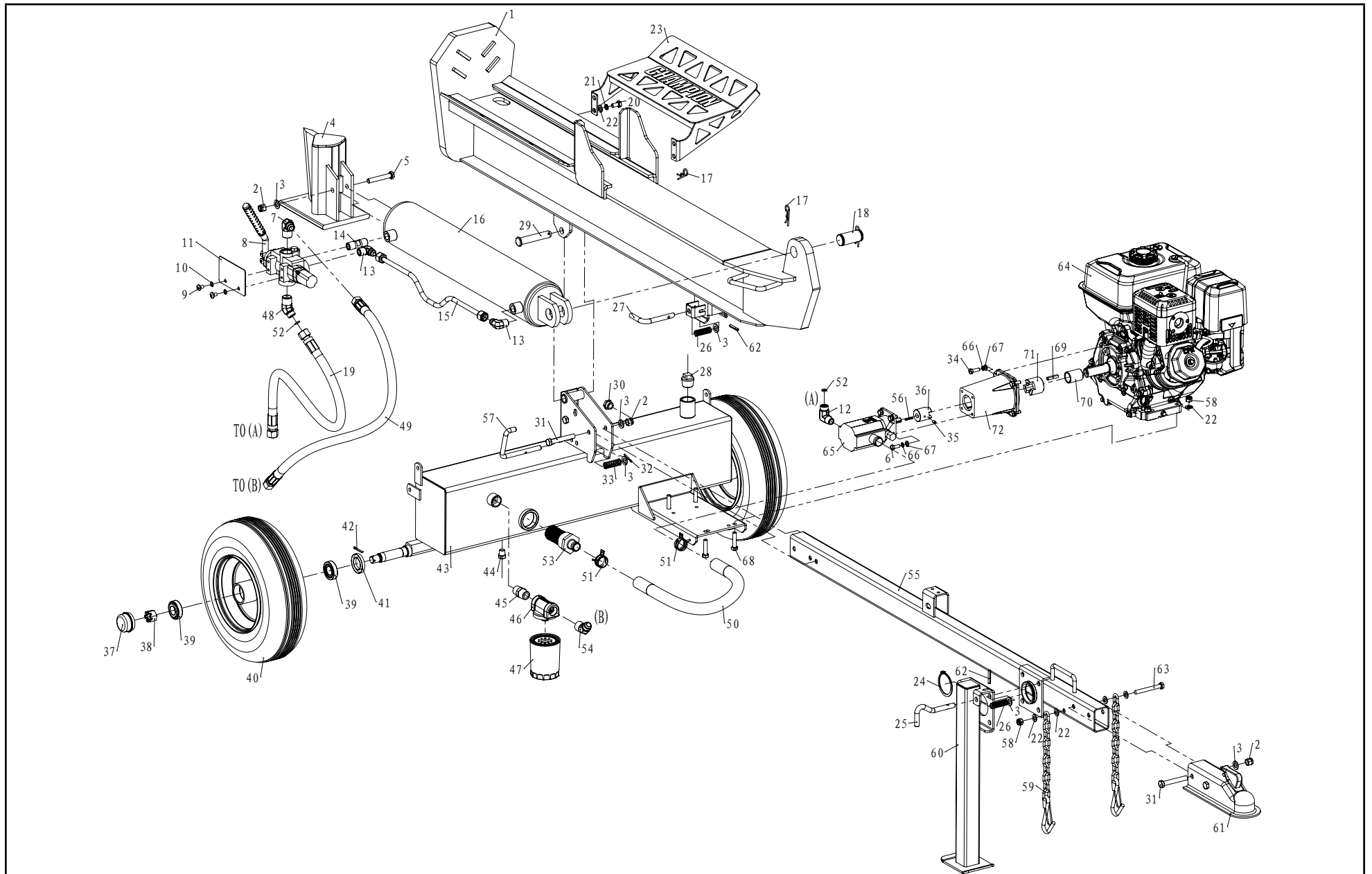


To order replacement parts please visit:
shop.championpowerequipment.com
or call **1-877-338-0999**.

TABLE OF CONTENTS

Log Splitter Parts Diagram	3
Log Splitter Parts List	4
Engine Parts Diagram	6
Engine Parts List	7

LOG SPLITTER PARTS DIAGRAM



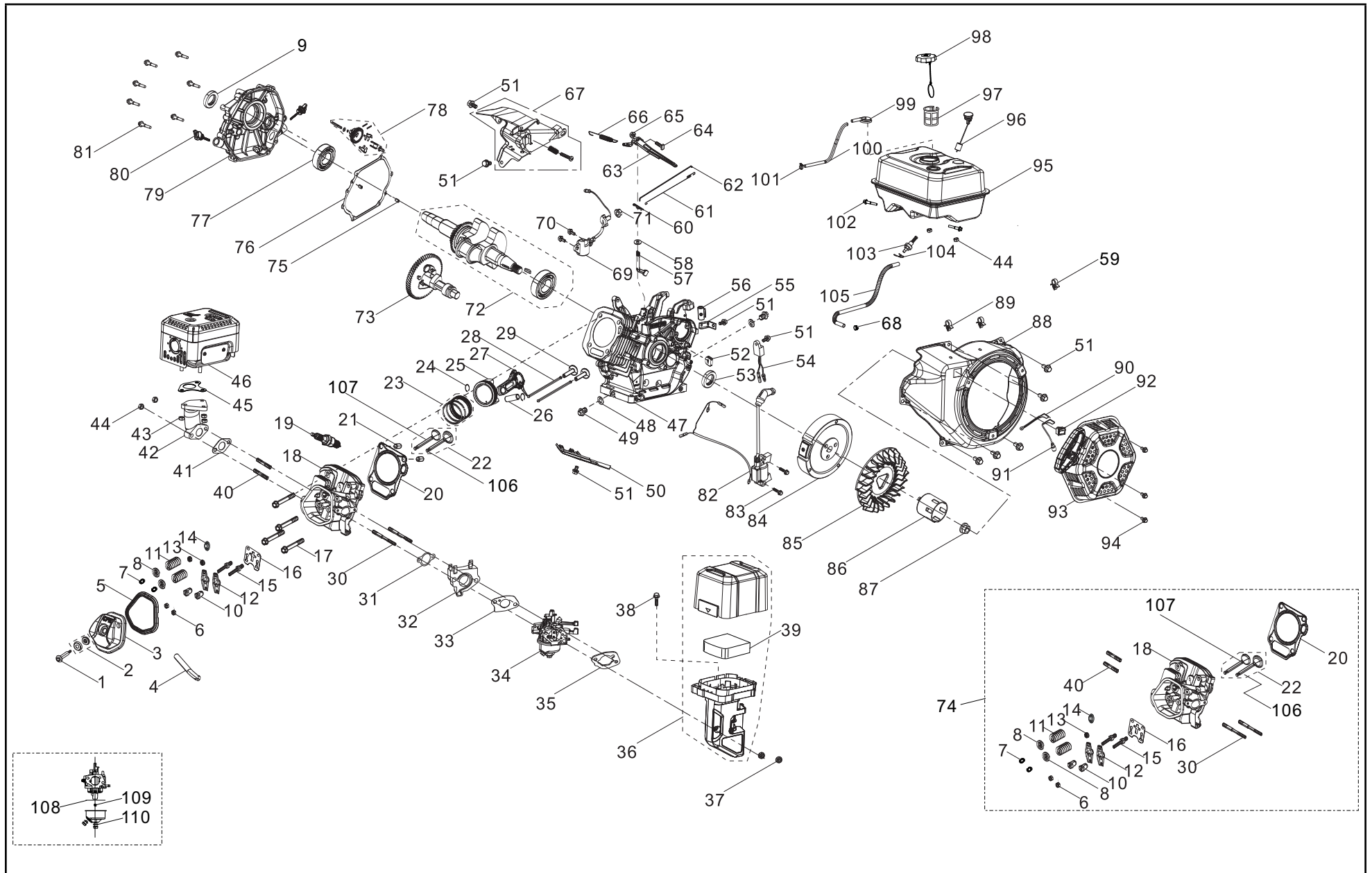
LOG SPLITTER PARTS LIST

#	Part Number	Description	Qty.
1	PMJ30G-01-00	Beam	1
2	G889.1-2000-M12	Lock Nut M12	5
3	G95-2000-12	Washer Ø12	8
4	PMJ25E-02-00	Wedge Slide	1
5	G5782-2000-M12-75	Bolt M12x75(12.9)	1
6	G5783-2000-M8-20	Bolt M8x20	4
7	PMJ25Y-23	JIC Connector, 90 Degree	1
8	PMJ25E-12	Control Valve	1
9	G818-2000-M8-12	Bolt M8x12	2
10	G859-1987-8	Washer Ø8	2
11	PMJ22J-19	Plate	1
12	PMJ25M-16	Outlet Connector Of Pump	1
13	PMJ25M-29	Right Angle Joiner	2
14	PMJ22M-22	Valve Joiner	1
15	PMJ37M-28	Hydraulic Hose(Valve-Cylinder)	1
16	PMJ30G-08-00	Cylinder	1
17	GJY12-3	R Pin	3
18	PMJ37N-13	Wedge Pin	1
19	PMJ25M-15A	Hydraulic Hose(Valve-Pump)	1
20	G5783-2000-M10-20	Bolt M10x20	4
21	G93-1987-10	Lock Washer Ø10	4
22	G95-2000-10	Washer Ø10	12
23	PMJ25M-36-00	Log Catcher Assembly	1
24	G894.1-86-63	Circlip Ø63	1
25	PMJ25Y-16	Support Leg Lock Pin	1
26	PMJ25Y-18	Spring For Lock Pin	2
27	PMJ25Y-14	Horizontal Lock Pin	1
28	PMJ22G-18	Screw NPT 1 in.	1
29	PMJ25Y-19	Pin	1
30	G1160.2-89	Oil Scale	1

#	Part Number	Description	Qty.
31	G5782-2000-M12-80	Bolt M12x80	4
32	G95-2000-3.2-14	Cotter Pin 3.2x14	1
33	PMJ25Y-17	Spring For Vertical Lock Pin	1
34	ASME-B18.2.1-1996-516-24-1	Bolt 5/16 in.-24x1 in.	4
35	G77-2000-M6-10	Screw M6x10	1
36	PMJ22G-26	Gear Pump Connector	1
37	PMJ22J-05-02	Axle Cap	2
38	G9459-1988-M20-1.5	Slotted Nut M20x1.5	2
39	L44634 LYC DS	Tapered Bearing	4
40	PMJ22D-05-03	Wheel	2
41	PMJ22J-05-01	Cased Seal	2
42	G91-2000-4-32	Cotter Pin Ø4x32	2
43	PMJ27B-04-00	Oil Tank	1
44	PMJ22G-19	Oil Plug	1
45	PMJ22Q-23	Through Joint	1
46	PMJ25M-20-00	Auto Filter Base	1
47	PMJ22G-52	Auto Filter	1
48	PMJ20J-17	Filter Housing "OUT" Connection	1
49	PMJ25Y-22	Hydraulic Hose(Valve-Oil Tank)	1
50	PMJ25M-17	Oil Pipe	1
51	PMJ25Y-38	Clamp d30	2
52	G3452.1-92-10-2.65	"O" Ring Ø10x2.65	2
53	PMJ22Q-20A	Internal Oil Filter	1
54	PMJ25Y-24	JIC Connector, 135 Degree	1
55	PMJ37G-03-00	Base Tube	1
56	G1096-1979-3.18-25.4	Flat Key 3.18x25.4	1
57	PMJ25Y-15	Vertical Lock Pin	1
58	G889.1-2000-M10	Lock Nut M10	5
59	PMJ25M-18-00	Safety Chain With Hook	2
60	PMJ25Y-07-00	Front Support Leg	1

#	Part Number	Description	Qty.
61	PMJ22G-40	2-in. Coupler	1
62	G879.2-2000-6-40	Elastic Cylindrical Pin 6x40	2
63	G5782-2000-M10-85	Bolt M10x85	1
64	R300P-E00DYF	Engine	1
65	PMJ22J-14	Gear Pump	1
66	G93-1987-8	Lock Washer Ø8	8
67	G95-2000-8	Washer Ø8	8
68	G5780-2000-M10-45	Bolt M10x45	4
69	PMJ30-32	Flat Key 6.3 x 6.3 x 35	1
70	PMJ30-29	Engine Bushing	1
71	PMJ30-28	Engine Connector	1
72	PMJ30-23	Gear Pump Stand	1

ENGINE PARTS DIAGRAM



ENGINE PARTS LIST

#	Part Number	Description	Qty.
1	12032-000001	Cylinder Head Cover Bolt, White Zinc	1
2	12034-000001	Cylinder Head Cover Gasket Subassembly, White Zinc	1
3	12410-000014	Cylinder Head Cover Subassembly, White Zinc	1
4	17004-000013	Breather Tube, Ø10.5 x Ø15 x 110, NBR+CSM	1
5	12004-000014	Cylinder Head Cover Gasket	1
6	14312-000001	Valve Lock Nut	2
7	12109-000003	Valve Lock Clamp	4
8	12112-000006	Valve Spring Retainer	2
9	90682-000004	Oil Seal, Ø30 x Ø46 x 8	1
10	14314-000001	Valve Adjusting Nut	2
11	12103-000006	Valve Spring	2
12	14311-000002	Valve Rocker	2
13	12101-000001	Seal Guide	2
14	12105-000001	Valve Spring Seat	1
15	14313-000001	Valve Adjusting Bolt	2
16	14090-000002	Lifter Stopper Plate Subassembly, White Zinc	1
17	12003-000004	Cylinder Head Bolt, M10 x 80	4
18	12140-000026	Cylinder Head Subassembly	1
19	30010-000001	Spark Plug, F6RTC	1
20	12131-000013	Cylinder Head Gasket	1
21	90502-000008	Pin, 12 x 20	2
22	12110-000011	Valves Set	1
23	13200-000011	Piston Rings Set	1
24	13122-000006	Piston Pin Clip	2
25	13111-000014	Piston	1
26	13121-000009	Piston Pin, Ø15 x 10.5 x 53	1
27	13010-000010	Connecting Rod	1
28	14070-000004	Valve Rod	2

#	Part Number	Description	Qty.
29	14081-000005	Valve Lifter	2
30	90204-000003	Stud, M6/8 x 127, Black Zinc	2
31	17002-000001	Inlet Gasket	1
32	16003-000013	Carburetor Insulator Plate	1
33	16001-000002	Carburetor Gasket	1
34	16100-000052	Carburetor Assembly	1
35	17001-000005	Air Cleaner Gasket	1
36	17100-000027	Air Cleaner	1
37	90305-000008	Hexagon Flange Nut, M6, Black Zinc	2
38	90007-000017	Hexagon Flange Bolt, M6 x 30, White Zinc	1
39	17151-000014	Air Cleaner Element	1
40	90204-000009	Stud, M8 x 54, Black Zinc	2
41	18001-000004	Exhaust Outlet Gasket	1
42	18150-000003	Exhaust Pipe	1
43	90305-000012	Hexagon Flange Nut, M8	3
44	90305-000010	Hexagon Flange Nut, M8, White Zinc	4
45	18101-000002	Muffler Gasket	1
46	18100-000038	Muffler Assembly	1
47	11310-000030	Crankcase Subassembly	1
48	90412-000003	Washer, Ø12 x Ø21 x 2	2
49	11007-000003	Drain Plug Bolt, M12 x 1.5 x 18, White Zinc	2
50	19304-000003	Cylinder Body Shroud, White Zinc	1
51	90001-000018	Hexagon Flange Bolt, M6 x 12, White Zinc	10
52	28101-000001	Rubber Plug, Black	1
53	90682-000011	Oil Seal, Ø35 x Ø52 x 7	1
54	37050-000002	Oil Protector, White Zinc	1
55	51124-000013	Mounting Bracket	1
56	90684-000009	Clip	1
57	16061-000002	Governor Arm	1
58	90412-000004	Washer, Ø8.4 x Ø19.5 x 0.8	1

#	Part Number	Description	Qty.
59	90684-000004	Clip	1
60	90501-000005	Pin, White Zinc	1
61	16012-000003	Throttle Valve Returning Spring	1
62	16062-000003	Governor Rod, White Zinc	1
63	16070-000007	Governor Support Subassembly, White Zinc	1
64	16072-000001	Governor Support Bolt, M6 x 21, White Zinc	1
65	90305-000007	Hexagon Flange Nut, M6, White Zinc	1
66	16063-000005	Spring, Governor, White Zinc	1
67	16520-000006	Throttle Control Assembly	1
68	90685-000012	Clamp, Ø8 x 0.6 x 7	1
69	37060-000005	Engine oil Sensor, W/O Nut	1
70	90001-000022	Hexagon Flange Bolt, M6 x 16, White Zinc	2
71	90305-000014	Hexagon Flange Nut, M10, White Zinc	1
72	13300-000034	Crankshaft Assembly	1
73	14200-000017	Camshaft Assembly	1
74	96101-Z120410-0001	Cylinder Head Assembly Kit	1
75	90502-000005	Pin, 9 x 12	2
76	11001-000010	Crankcase Gasket	1
77	90547-000008	Bearing, 6206	1
78	16400-000002	Governor Gear Assembly	1
79	11411-000019	Crankcase Cover	1
80	15010-000003	Oil Dipstick Subassembly	2
81	90001-000049	Hexagon Flange Bolt, M8 x 35, White Zinc	7
82	30400-000026	Ignition Coil	1
83	90001-000028	Hexagon Flange Bolt, M6 x 28, White Zinc	2
84	13510-000003	Flywheel Subassembly	1
85	19352-000006	Impeller	1
86	28002-000002	Starter Pulley, White Zinc	1
87	13501-000002	Flywheel Nut, M16 x 1.5, White Zinc	1
88	28110-000037	Shroud	1
89	90684-000005	Clip	2
90	35555-000004	Switch Connector Grounding Wire	1

#	Part Number	Description	Qty.
91	35541-000004	Stop Engine Connecting Wire	1
92	35540-000004	Stop Engine Switch Subassembly	1
93	28200-000033	Recoil Starter Assembly	1
94	90251-000001	Bolt, M6 x 8, Black Zinc	3
95	16620-000041	Fuel Tank	1
96	37200-000017	Fuel Gauge	1
97	16652-000012	Fuel Strainer	1
98	16730-000022	Fuel Tank Cover	1
99	15150-000005	Valve, One Way	1
100	16805-000014	Rubber Hose, Air Cleaner	1
101	90685-000002	Clamp, Ø9 x 0.8 x 8	1
102	90001-000044	Hexagon Flange Bolt, M8 x 25, White Zinc	2
103	16680-000004	Fuel Tank Oil Outlet Subassembly	1
104	90740-000004	Clamp, Ø8	1
105	90686-000030	Fuel Pipe, Ø4.5 x Ø8.5 x 220	1
106	12111-000009	Inlet Valve	1
107	12121-000011	Exhaust Valve	1
108	16112-000003	Seal Ring, Float	1
109	16161-000035	Main Jet (85#), Standard	1
	16161-000079	Main Jet (82#), Altitude 3000-6000 Feet	1
	16161-000031	Main Jet (79#), Altitude 6000-8000 Feet	1
110	90681-000004	Seal Ring	1