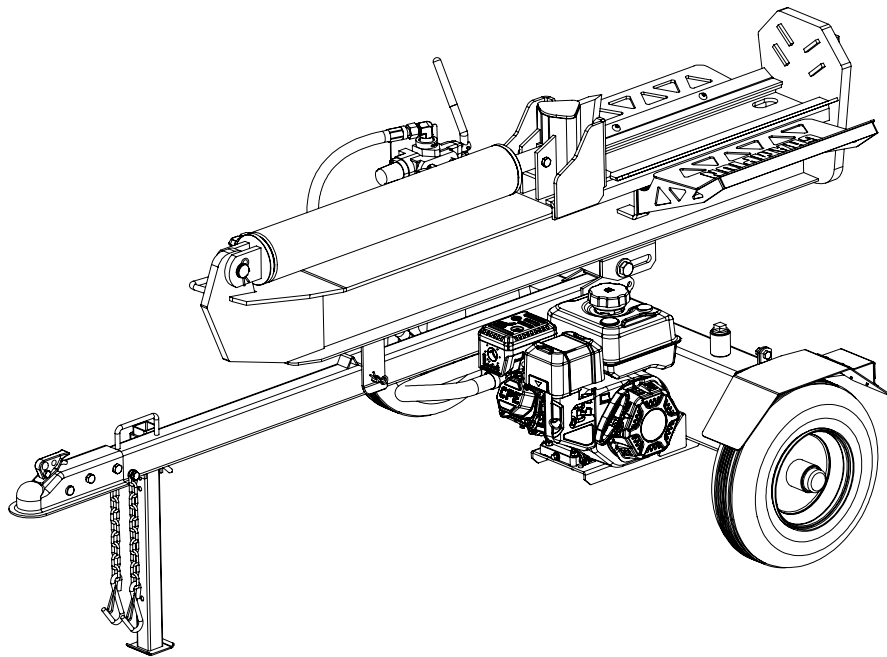




Champion Power Equipment, Inc.

**MODEL #100424**



## **PARTS INFORMATION**

**27 TON FULL BEAM LOG SPLITTER**

**SERIAL NUMBER RANGE: NF2302050000+**

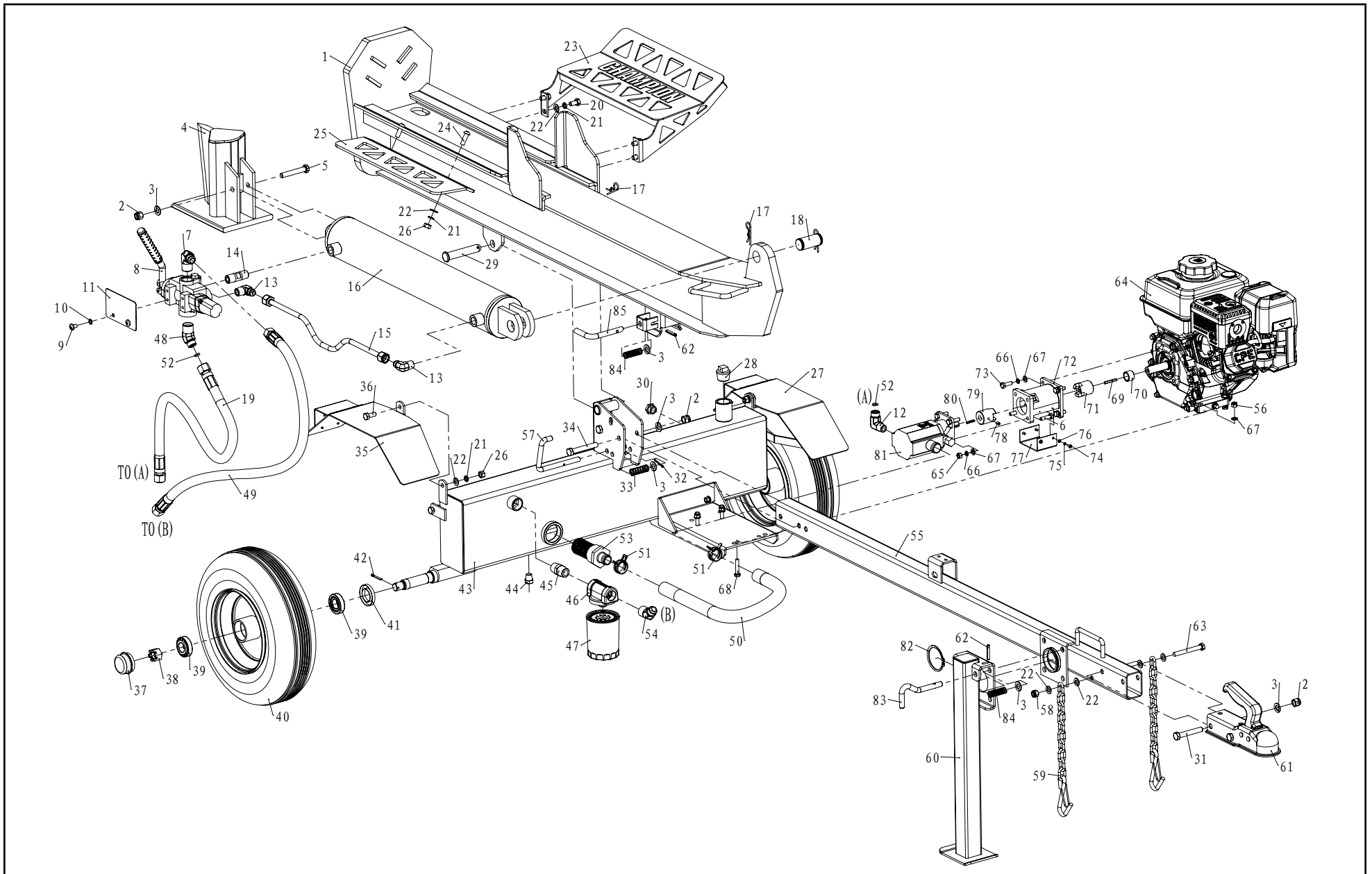


To order replacement parts please visit:  
**[shop.championpowerequipment.com](http://shop.championpowerequipment.com)**  
or call **1-877-338-0999**.

## **TABLE OF CONTENTS**

<b>Log Splitter Parts Diagram</b> .....	<b>3</b>
<b>Log Splitter Parts List</b> .....	<b>4</b>
<b>Engine Parts Diagram R224P</b> .....	<b>6</b>
<b>Engine Parts List R224P</b> .....	<b>7</b>

# LOG SPLITTER PARTS DIAGRAM



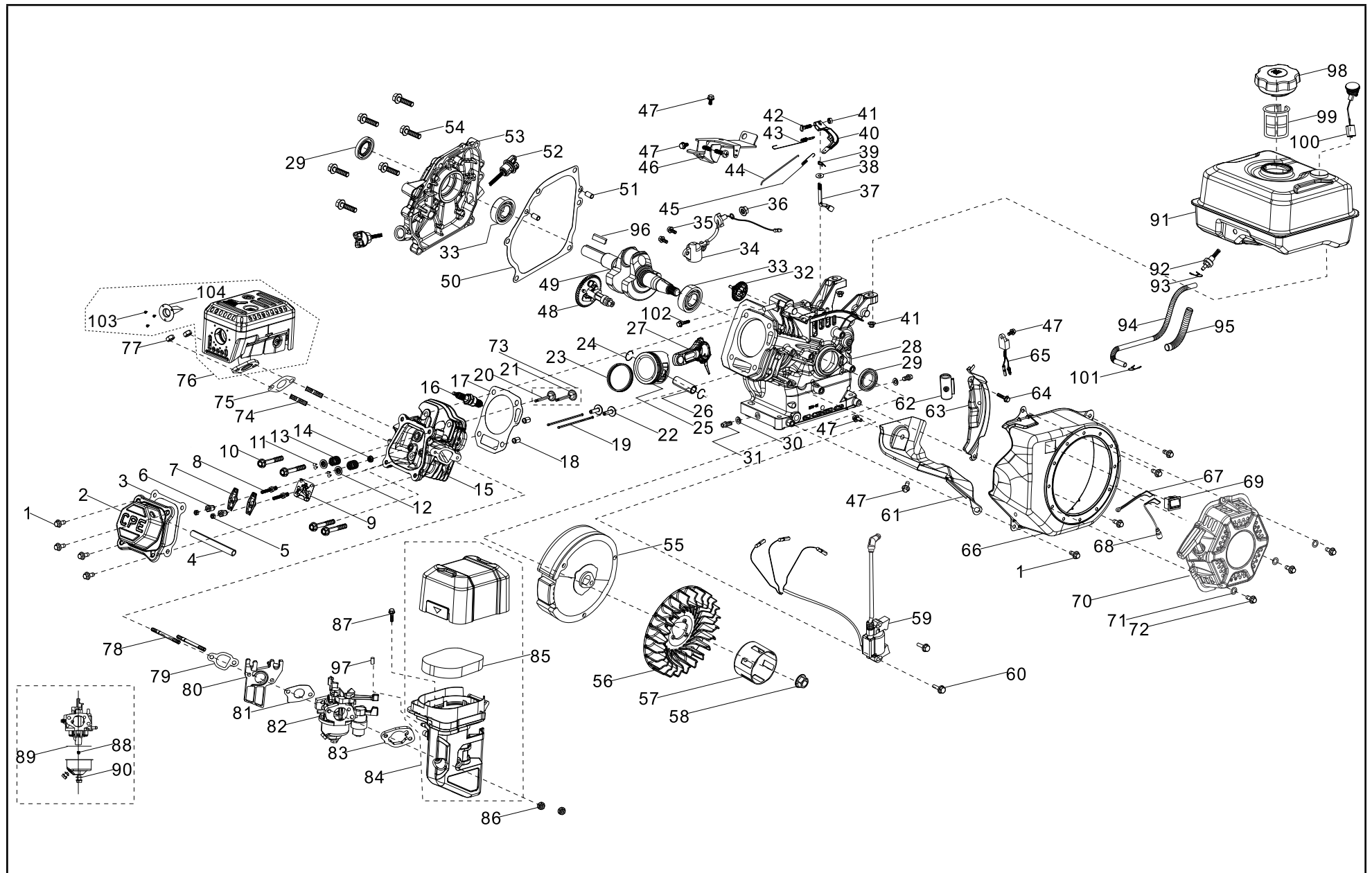
## LOG SPLITTER PARTS LIST

#	Part Number	Description	Qty.
1	PMJ25E-01-00	Beam	1
2	G889.1-2000-M12	Lock Nut M12	5
3	G95-2000-12	Washer Ø12	8
4	PMJ25E-02-00	Wedge Slide	1
5	G5782-2000-M12-75	Bolt M12x75(12.9)	1
6	G5783-2000-M8-30	Bolt M8x30	4
7	PMJ25Y-23	JIC Connector, 90 Degree	1
8	PMJ25E-12	Control Valve	1
9	G818-2000-M8-12	Bolt M8x12	2
10	G859-1987-8	Washer Ø8	2
11	PMJ22J-19	Plate	1
12	PMJ25M-16	Outlet Connector Of Pump	1
13	PMJ25M-29	Right Angle Joiner	2
14	PMJ22M-22	Valve Joiner	1
15	PMJ25M-28	Hydraulic Hose(Valve-Cylinder)	1
16	PMJ25M-08-00	Cylinder	1
17	GJY12-3	R Pin	3
18	PMJ25M-13	Wedge Pin	1
19	PMJ25M-15A	Hydraulic Hose(Valve-Pump)	1
20	G5781-2000-M10-20	Bolt M10x20	4
21	G93-1987-10	Lock Washer Ø10	10
22	G95-2000-10	Flat Washer Ø10	14
23	PMJ25M-36-00	Log Catcher Bracket	1
24	G70.2-2000-M10-30	Bolt M10x30	2
25	PMJ25M-31	Short Log Catcher	1
26	G6170-2000-M10	Nut M10	6
27	PMJ22G-35-00	Right Fender	1
28	PMJ22G-18	Screw NPT 1 in.	1
29	PMJ25Y-19	Pin	1
30	G1160.2-89	Oil Scale	1

#	Part Number	Description	Qty.
31	G5782-2000-M12-75	Bolt M12x75	2
32	G95-2000-3.2-14	Cotter Pin 3.2x14	1
33	PMJ25Y-17	Spring for Vertical Lock Pin	1
34	G5782-2000-M12-80	Bolt M12x80	2
35	PMJ22G-34-00	Left Fender	1
36	G5783-2000-M10-25	Bolt M10x25	4
37	PMJ22J-05-02	Axle Cap	2
38	G9459-1988-M20-1.5	Slotted Nut M20x1.5	2
39	L44634 LYC DS	Tapered Bearing	4
40	PMJ22D-05-03	Wheel	2
41	PMJ22J-05-01	Cased Seal	2
42	G91-2000-4-32	Cotter Pin Ø4x32	2
43	PMJ20B-04-00	Oil Tank	1
44	PMJ22G-19	Oil Plug	1
45	PMJ22Q-23	Through Joint	1
46	PMJ25M-20-00	Auto Filter Base	1
47	PMJ22G-52	Hydraulic Oil Filter	1
48	PMJ20J-17	135 Degree Connector	1
49	PMJ25Y-22	Hydraulic Hose(Valve-Oil Tank)	1
50	PMJ25M-17	Oil Pipe	1
51	PMJ25Y-38	Clamp d30	2
52	G3452.1-92-10-2.65	"O" Ring Ø10x2.65	2
53	PMJ22Q-20A	Internal Oil Filter	1
54	PMJ25Y-24	JIC Connector, 135 Degree	1
55	PMJ25E-03-00	Base Tube	1
56	G889.1-2000-M8	Lock Nut M8	4
57	PMJ25Y-15	Vertical Lock Pin	1
58	G889.1-2000-M10	Lock Nut M10	1
59	PMJ25M-18-00	Safety Chain With Hook	2
60	PMJ25Y-07-00	Front Support Leg	1

#	Part Number	Description	Qty.
61	PMJ27B-40	2-in. Coupler	1
62	G879.2-2000-6-40	Elastic Cylindrical Pin 6x40	2
63	G5782-2000-M10-85	Bolt M10x85	1
64	R224P-B00DY	Engine	1
65	G6170-2000-M8	Nut M8	4
66	G93-1987-8	Lock Washer Ø8	8
67	G95-2000-8	Washer Ø8	12
68	G5782-2000-M8-40	Bolt M8x40	4
69	G1096-1979-5-36	Flat Key 5x36	1
70	PMJ22G-29	Engine Bushing	1
71	PMJ22G-28	Engine Connector	1
72	PMJ22G-27	Gear Pump Stand	1
73	ASME-B18.2.1-1996-516-24-1	Bolt 5/16 in.-24x1 in.	4
74	G818-2000-M4-10	Cross Head Screw M4x10	4
75	G859-1985-4	Lock Washer Ø4	4
76	G848-1987-4	Washer Ø4	4
77	PMJ22G-32	Connector Cover	1
78	G77-2000-M6-10	Screw M6x10	1
79	PMJ22G-26	Gear Pump Connector	1
80	G1096-1979-3.18-25.4	Flat Key 3.18x25.4	1
81	PMJ22J-14	Gear Pump	1
82	G894.1-86-63	Circlip Ø63	1
83	PMJ25Y-16	Support Leg Lock Pin	1
84	PMJ25Y-18	Spring for Lock Pin	2
85	PMJ25Y-14	Horizontal Lock Pin	1

# ENGINE PARTS DIAGRAM R224P



**ENGINE PARTS LIST R224P**

#	Part Number	Description	Qty.
1	90001-0612-0101	Hexagon Flange Bolt, M6 × 12, Blue White Zinc	8
2	12410-Z440110-0001	Cylinder Head Cover Subassembly, Blue White Zinc	1
3	12004-Z440110-00A0	Cylinder Head Cover Gasket	1
4	17004-Z440110-0002	Tube, Breather, Ø8 × Ø12 × 90	1
5	14312-Z010110-0000	Valve Lock Nut	2
6	14314-Z010110-0000	Valve Adjusting Nut	2
7	14311-Z010110-0000	Valve Rocker	2
8	14313-Z010110-0000	Valve Adjusting Bolt	2
9	14090-Z010110-0000	Lifter Stopper Plate Subassembly, Blue White Zinc	1
10	12003-Z010110-0001	Cylinder Head Bolt, M8 × 60, Blue White Zinc	4
11	12109-Z810110-0000	Valve Lock Clamp	4
12	12112-Z810210-0000	Valve Spring Retainer	2
13	12103-Z010110-0000	Valve Spring	2
14	12101-Z810210-0000	Seal Guide	1
15	12140-Z810210-00A0	Cylinder Head Subassembly	1
16	30010-Z010110-0000	Spark Plug, F6RTC	1
17	12131-Z950210-0000	Cylinder Head Gasket	1
18	90502-1114-00A0	Pin, 11 × 14	2
19	14071-Z440110-0000	Valve Lifter	2
20	12121-Z810120-0000	Exhaust Valve	1
21	12111-Z810110-0000	Inlet Valve	1
22	14081-Z040110-0000	Valve Tappet	2
23	13200-Z140210-00A9	Piston Ring Assembly	1
24	13122-Z510210-0000	Piston Pin Clip	2
25	13111-Z810120-00A0	Piston	1
26	13121-Z810110-0000	Piston Pin, Ø13 × Ø45.9	1
27	13010-Z810210-00A0	Connecting Rod	1

#	Part Number	Description	Qty.
28	11310-Z810120-00A9	Crankcase Subassembly	1
29	90682-Z300110-0001	Oil Seal, Ø25 × Ø41.25 × 6	2
30	90408-Z010110-00A0	Washer, Ø10 × Ø15.8 × 1.5	2
31	11007-Z010110-0001	Drain Plug Bolt, M10 × 1.25 × 15, Blue White Zinc	2
32	16400-Z810210-0000	Governor Gear Assembly	1
33	90547-0205-00	Bearing	2
34	37060-Z010120-0001	Engine oil Sensor, W/O Nut	1
35	90001-0614-01A0	Hexagon Flange Bolt, M6 × 14, Blue White Zinc	2
36	90305-Z010210-0101	Hexagon Flange Nut, M10, Blue White Zinc	1
37	16061-Z010110-0000	Governor Arm	1
38	90408-Z010210-00A0	Washer, Ø6.2 × Ø15 × 0.6	1
39	90501-Z010110-0001	Pin, Blue White Zinc	1
40	16070-Z010110-0001	Governor Support Subassembly, Blue White Zinc	1
41	90305-0600-3101	Hexagon Flange Nut, M6, Blue White Zinc	3
42	16072-Z010110-0001	Governor Support Bolt, M6 × 21, Blue White Zinc	1
43	16063-Z810110-0001	Spring, Governor	1
44	16062-Z010110-0001	Governeur Rod, Blue White Zinc	1
45	16012-Z010310-0000	Throttle Valve Returning Spring	1
46	16520-Z012510-0100	Throttle Control Assembly, Blue White Zinc	1
47	90001-0610-0101	Hexagon Flange Bolt, M6 × 10, Blue White Zinc	5
48	14200-Z810310-0000	Camshaft Assembly	1
49	13300-Z812110-0000	Crankshaft Assembly	1
50	11001-Z440110-00A0	Crankcase Gasket	1
51	90502-0912-00A0	Pin, 9 × 12	2
52	15010-Z290110-L401	Oil Dipstick Subassembly	2
53	11411-Z440410-00A0	Crankcase Cover	1

#	Part Number	Description	Qty.
54	90001-0832-0101	Hexagon Flange Bolt, M8 × 32, Blue White Zinc	6
55	13510-Z440410-0000	Flywheel Subassembly	1
56	19352-Z440110-0001	Impeller	1
57	28002-Z0L0110-0000	Starter Pulley, Blue White Zinc	1
58	13501-Z010110-00A0	Flywheel Nut, M14 × 1.5, Blue White Zinc	1
59	30400-Z441010-0001	Ignition Coil	1
60	90001-0625-01A0	Hexagon Flange Bolt, M6 × 25, Blue White Zinc	2
61	19304-Z010610-0001	Cylinder Body Shroud, Blue White Zinc	1
62	90684-Z010510-0000	Clip	1
63	19340-Z011010-0000	Lower Shield, Blue White Zinc	1
64	90001-0616-01A0	Hexagon Flange Bolt, M6 × 16, Blue White Zinc	1
65	37050-Z010210-0001	Oil Protector, Blue White Zinc	1
66	28110-Z810310-L400	Shroud	1
67	35555-Z810110-0000	Switch Connector Grounding Wire	1
68	35541-Z010610-0000	Stop Engine Connecting Wire	1
69	35540-Z010610-R901	Stop Engine Switch Subassembly	1
70	28200-Z141210-H200	Recoil Starter Assembly	1
71	90408-0600-03	Washer, Black Zinc	3
72	90001-0608-03	Hexagon Flange Bolt, M6 × 8, Black Zinc	3
73	12110-Z810120-0099	Valve Set	1
74	90203-Z010110-0000	Stud, M8 × 34, Black Zinc	2
75	18001-Z440110-00A0	Exhaust Gasket	1
76	18100-Z140411-0003	Muffler Assembly	1
77	90303-0800-3101	Hexagon Nut, M8, Blue White Zinc	2
78	90204-Z620110-00A0	Stud, M6 × 115, Black Zinc	2
79	16002-Z010110-0000	Carburetor Insulator Gasket	1
80	16003-Z010110-0000	Carburetor Insulator Plate	1
81	16001-Z010110-0000	Carburetor Gasket	1
82	16100-Z811411-00M3	Carburetor Assembly	1

#	Part Number	Description	Qty.
83	17001-Z010210-0000	Air Cleaner Gasket	1
84	17100-Z011910-00A1	Air Cleaner	1
85	17151-Z2M0110-0000	Air Cleaner Element	1
86	90305-0600-33	Hexagon Flange Nut, M6, Black Zinc	2
87	90007-0630-A1A0	Hexagon Flange Bolt, M6 × 30, White Zinc	1
88	16161-Z152010-00A1	Main Jet, Standard	1
	16161-Z151810-00A0	Main Jet, Altitude 3000-6000 Feet	/
	16161-Z151610-00A3	Main Jet, Altitude 6000-8000 Feet	/
89	16112-Z010110-0000	Seal Ring, Float	1
90	90681-Z010510-0000	Seal Ring	1
91	16620-Z810310-H200	Fuel Tank	1
92	16680-Z010210-0000	Fuel Tank Oil Outlet Subassembly	1
93	90740-Z010510-00A1	Clamp	1
94	90686-Z010710-00M1	Fuel Pipe, Ø4.5 × Ø8.5 × 160	1
95	30431-Z010110-0003	Rubber Jacket, Ø9.5 × Ø11 × 90, Black	1
96	90521-U060110-00A0	Key	1
97	90722-Z2R0110-0000	End Plug	1
98	16730-Z440810-LK01	Fuel Tank Cap	1
99	16652-Z010810-0001	Fuel Strainer	1
100	37200-Z810210-0001	Fuel Gauge	1
101	90685-D080-0EA0	Clamp, Ø8 × 7 × 0.6	1
102	90001-0630-0101	Hexagon Flange Bolt, M6 x 30, White Zinc	1
103	90107-4209-04	Screw, ST4.2×9	3
104	18250-Z2M0110-00A0	Spark Arrestor	1