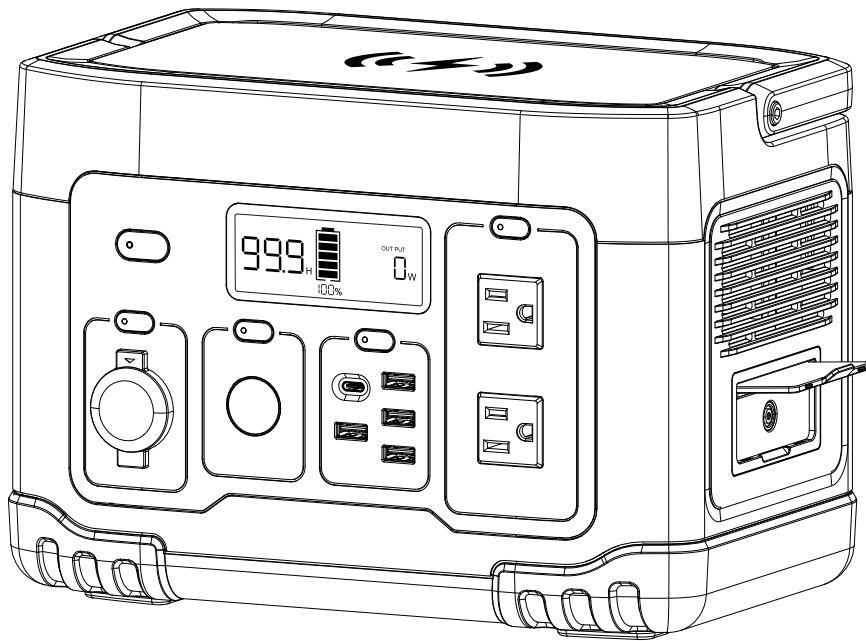


Champion Power Equipment, Inc., Santa Fe Springs, CA USA

**MODEL #201189**



## **PARTS INFORMATION**

**600 PORTABLE POWER STATION**

**SERIAL NUMBER RANGE: ALL**

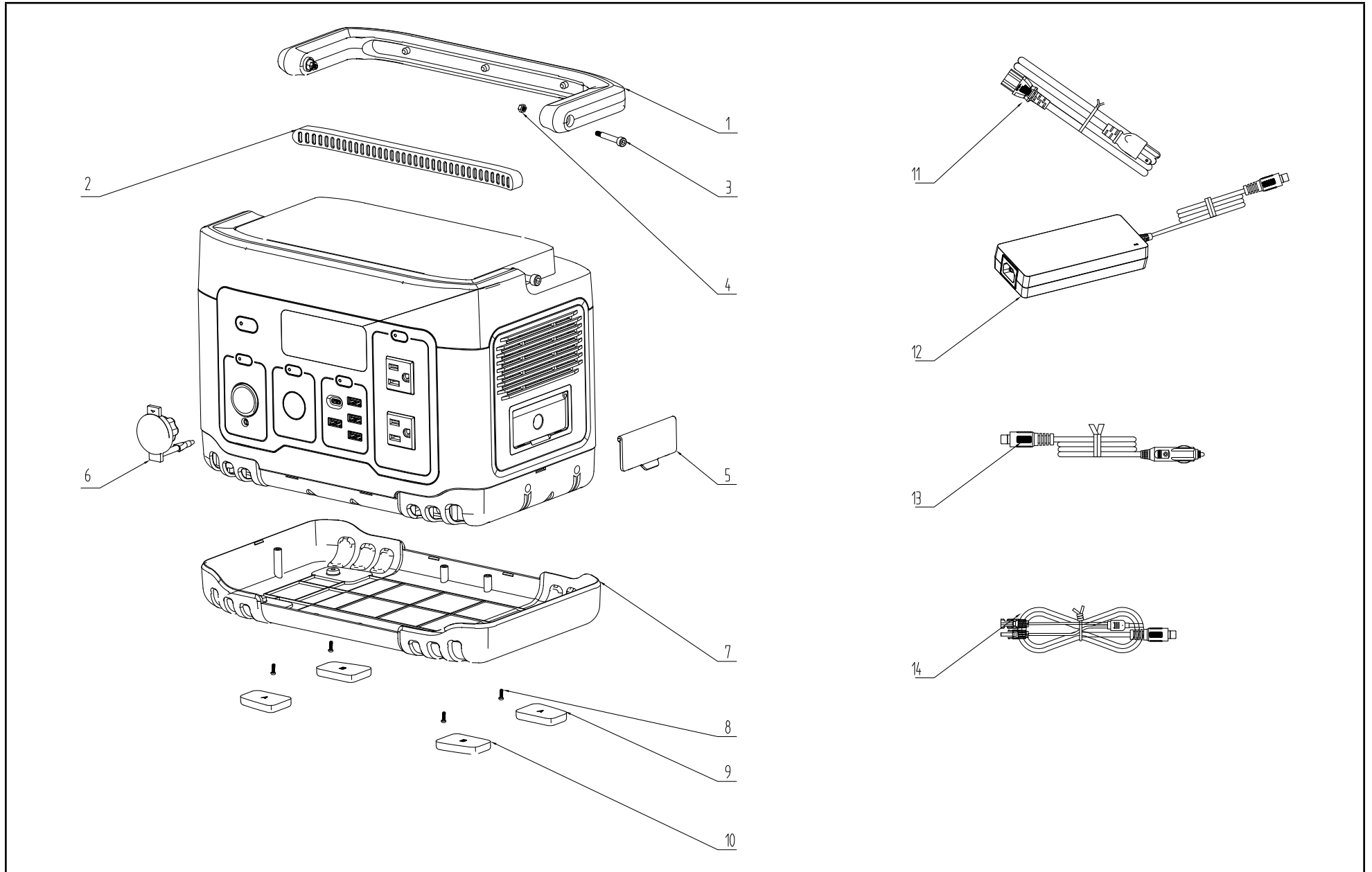


To order replacement parts please visit:  
**[shop.championpowerequipment.com](http://shop.championpowerequipment.com)**  
or call **1-877-338-0999**.

## **TABLE OF CONTENTS**

<b>Power Station Parts Diagram</b> .....	<b>3</b>
<b>Power Station Parts List</b> .....	<b>4</b>

# POWER STATION PARTS DIAGRAM



**POWER STATION PARTS LIST**

#	Part Number	Description	Qty.
1	520-00036-00	Handle	1
2	522-10011-05	Rubber Handle Grip	1
3	410-50004-01	Cup Head Hexagon Bolt, M4 × 34	2
4	412-00004-00	Hexagon Nut, M4	2
5	520-00041-09	Input Cover	1
6	522-10012-00	Rubber Plug	1
7	520-00046-00	Bottom Cover	1
8	410-00001-00	Tapping Screw, PA3 × 8	4
9	522-10013-00	Rubber Pads A	2
10	522-10014-00	Rubber Pads B	2
11	744-00002-00	Charging Adapter Cable – AC	1
12	744-00015-00	Charging Adapter	1
13	744-40011-00	Charging Cable - Car	1
14	744-50008-00	Charging Cable - Solar	1