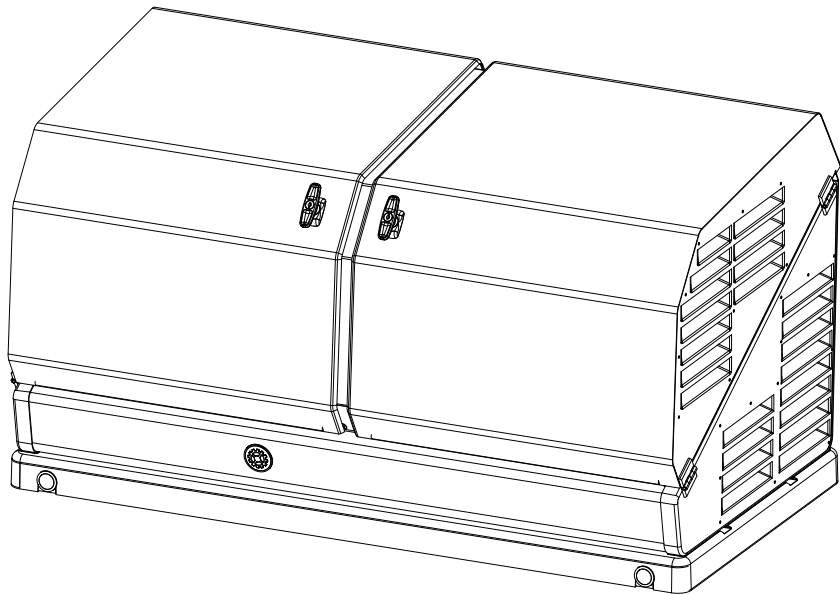


Champion Power Equipment, Inc.

**MODEL #100304**



## **PARTS INFORMATION**

**22-KW HOME STANDBY GENERATOR WITH AXIS CONTROLLER®**

**SERIAL NUMBER RANGE: ALL**

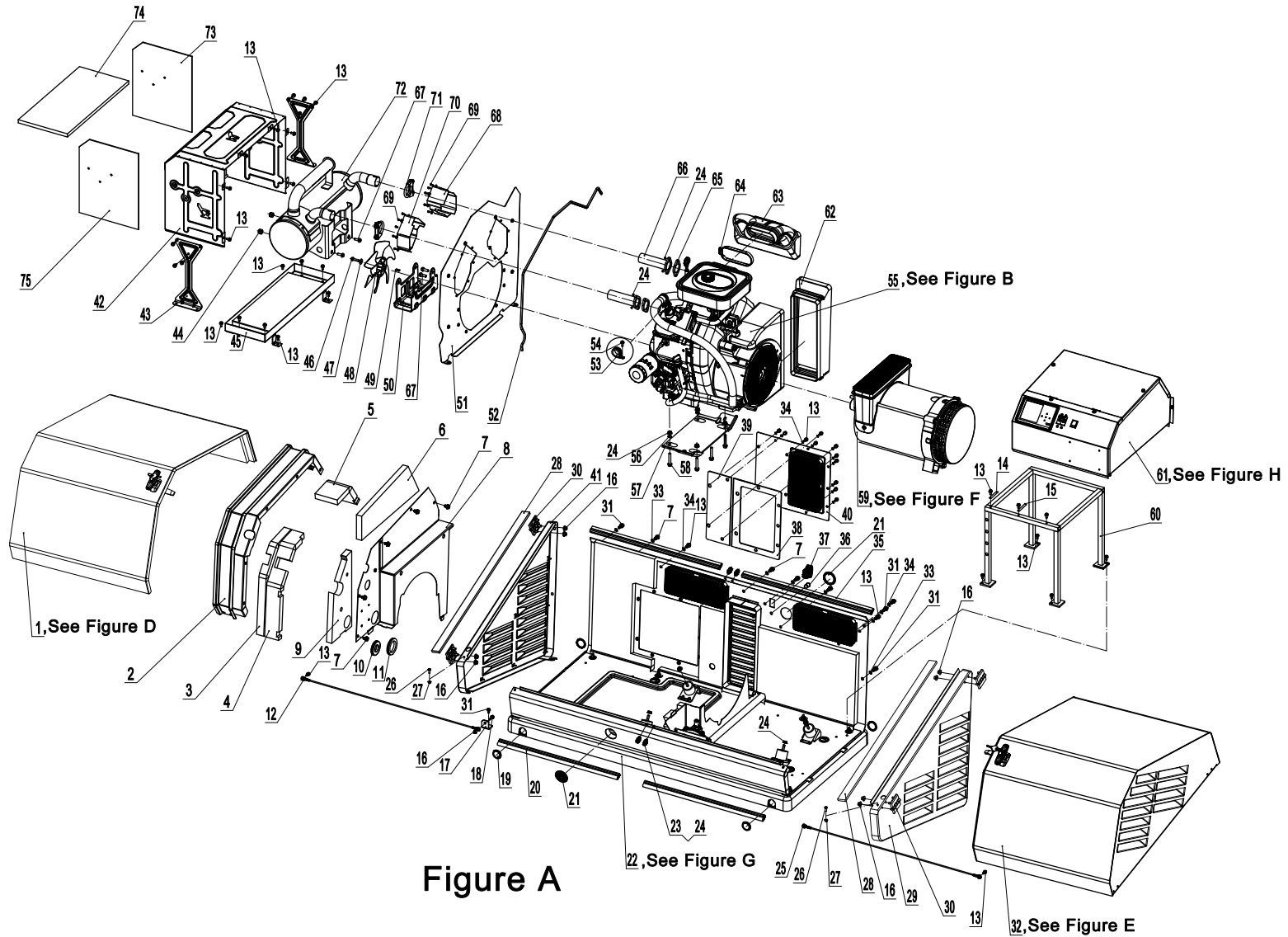


To order replacement parts please visit:  
**[shop.championpowerequipment.com](http://shop.championpowerequipment.com)**  
or call **1-877-338-0999**.

## **TABLE OF CONTENTS**

<b>Generator Parts Diagram</b> .....	<b>3</b>
<b>Generator Parts List</b> .....	<b>4</b>
<b>Engine Parts Diagram</b> .....	<b>6</b>
<b>Engine Parts List</b> .....	<b>7</b>
<b>Cylinder Head 1 Parts Diagram</b> .....	<b>10</b>
<b>Cylinder Head 1 Parts List</b> .....	<b>11</b>
<b>Cylinder Head 2 Parts Diagram</b> .....	<b>12</b>
<b>Cylinder Head 2 Parts List</b> .....	<b>13</b>
<b>Top Left Cover Parts Diagram</b> .....	<b>14</b>
<b>Top Left Cover Parts List</b> .....	<b>15</b>
<b>Top Right Cover Parts Diagram</b> .....	<b>16</b>
<b>Top Right Cover Parts List</b> .....	<b>17</b>
<b>Alternator Parts Diagram</b> .....	<b>18</b>
<b>Alternator Parts List</b> .....	<b>19</b>
<b>Bottom Housing Parts Diagram</b> .....	<b>20</b>
<b>Bottom Housing Parts List</b> .....	<b>21</b>
<b>Control Panel Parts Diagram</b> .....	<b>22</b>
<b>Control Panel Parts List</b> .....	<b>23</b>
<b>Wiring Diagram</b> .....	<b>24</b>

# GENERATOR PARTS DIAGRAM



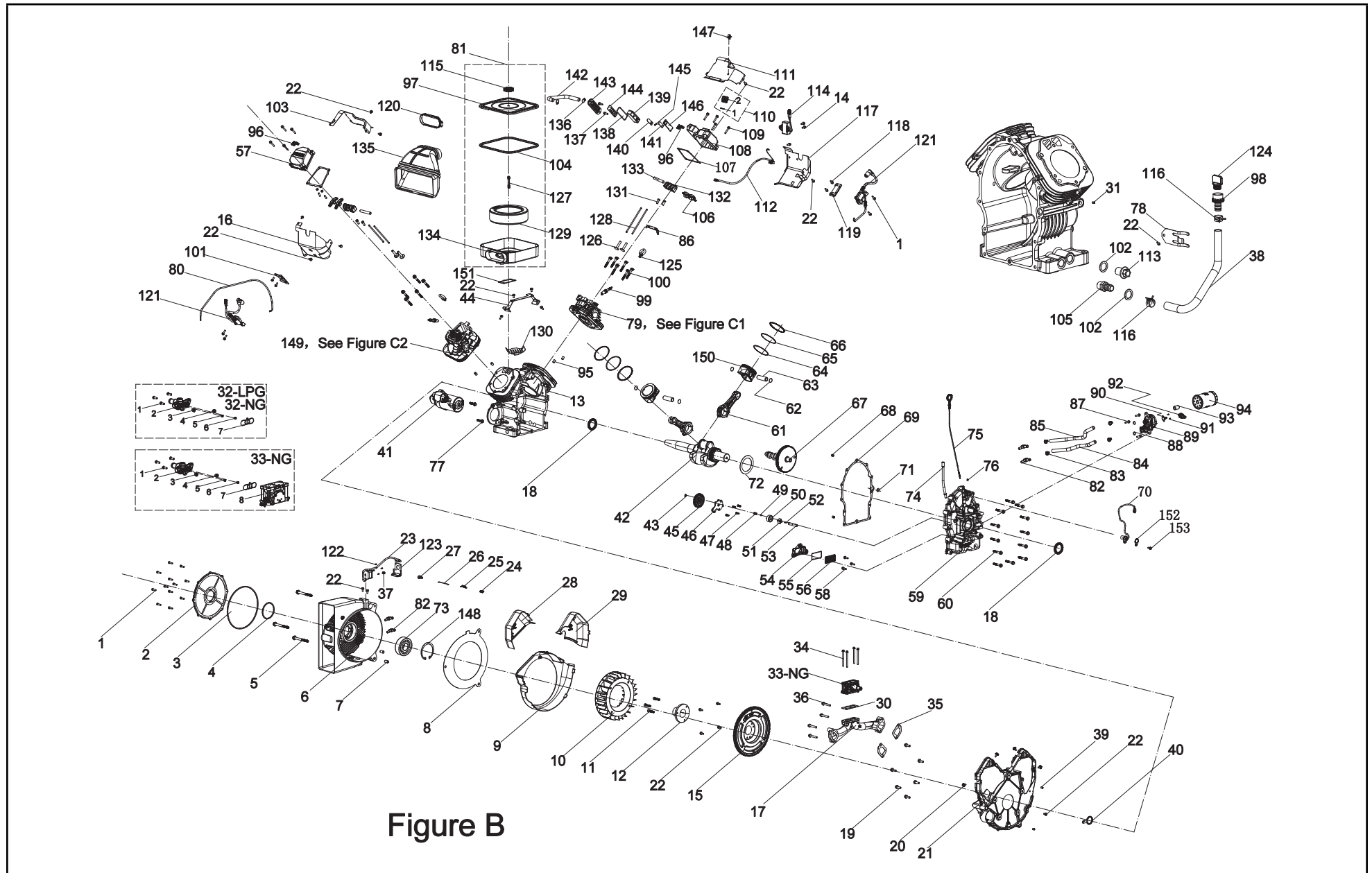
## GENERATOR PARTS LIST

#	Part Number	Description	Qty.
1	165.200500.60.24	Top Cover Assembly, Left, Silk Grey, Flame Retardant and textured, See Figure D	1
2	165.201600.01.1	Gutter, Black	1
3	165.200021.15	Gutter, Left, Soundproof Sponge	1
4	165.200021.14	Gutter, Right, Soundproof Sponge	1
5	165.200021.16	Gutter, Top, Soundproof Sponge	1
6	165.200021.07	Dummy Plate, Top, Soundproof Sponge 1	1
7	1.16674.0812	Flange bolt, M8 x 12	10
8	165.200005.60.24	Dummy Plate, Top, Silk Grey, Flame Retardant and textured	1
9	165.200021.08	Dummy Plate, Top, Soundproof Sponge 2	1
10	165.200503.01	Grommet, Wire	1
11	163.210003.00	Grommet, Wire	1
12	165.200507.03	Curb Chain Assembly, Cover, 670 mm	1
13	1.5789.0615	Flange bolt, M6 x 15	45
14	2.05.049	Clip	1
15	2.05.050	Clip	1
16	1.6177.1.06	Flange Lock Nut M6	9
17	165.201503.00	Dead Plate	1
18	1.5789.0620	Flange bolt, M6 x 20	1
19	165.201801.00	Plastic Pallet, Plug	4
20	165.200109.01	Rubber Strip, 570 mm, Flame Retardant	2
21	165.200503.00	Front Cover, Rubber Plug	2
22	165.200601.60.24	Housing Bottom Assembly, See Figure G	1
23	2.08.204	Flange bolt, M8 x 16	4
24	1.6177.1.08	Flange Lock Nut M8	16
25	165.200507.04	Curb Chain Assembly, Cover, 720 mm	1
26	1.5783.0412	Flange bolt, M4 x 12	2
27	1.6177.1.04.2	Flange Lock Nut M4	2
28	161.200021.02	Seal Strip, Right/Left Cover, Flame Retardant	2

#	Part Number	Description	Qty.
29	165.200300.60.24	Right Cover Assembly, Silk Grey, Flame Retardant and textured	1
30	161.201900.00	Hinge	4
31	1.16674.0820	Flange bolt, M8 x 20	5
32	165.200500.61.24	Top Cover Assembly, Right, Silk Grey, Flame Retardant and textured, See Figure E	1
33	2.03.065	Washer, Ø8 × Ø17	5
34	2.03.064	Washer, Ø6 × Ø12	16
35	165.200109.02	Rubber Strip, 615 mm, Flame Retardant	2
36	5.1460.015	Indicator Light, 24 v	1
37	5.1040.015	Emergency Shutdown Switch	1
38	165.200021.01	Seal, Access Cover, Flame Retardant	1
39	165.200021.21	Seal, Access Cover, Flame Retardant	1
40	165.200402.60.24	Access Cover, Electric Cabinet, Silk Grey, Flame Retardant and textured	1
41	165.200200.60.24	Left Cover, Silk Grey, Flame Retardant and textured	1
42	165.101003.05.2	Muffler Housing Assembly	1
43	165.101004.00.2	Muffler Cover Support	2
44	2.02.041	Lock Nut, M10 x 1.5	2
45	165.101005.00.2	Muffler Tray	1
46	2.08.206	Flange bolt, M10 x 1.25 x 25	1
47	1.96.10	Washer, Ø10	1
48	999.080001.01	Cooling Fan, Al	1
49	2.14.027	Flat Key, 5×5×28	1
50	999.100100.00	Muffler Mount	1
51	165.200005.63.24	Firewall, Right, Silk Grey, FR and textured	1
52	163.200109.00	Rubber Strip, 1000 mm, FR	1
53	2.06.037	Clamp, Ø28	1
54	1.5789.0612	Flange bolt, M6 x 12	1
55	100298	Engine, See Figure B	1

#	Part Number	Description	Qty.
56	1.96.08	Washer, Ø8	2
57	165.201600.00	Supporter, Engine	1
58	1.5789.0850	Flange bolt, M8 x 50	4
59	165.191000.00	Motor combination, Cu, Ø270 x 180 mm, See Figure F	1
60	165.200004.63.24	Frame	1
61	100304.21	Control Panel Assembly, See Figure H	1
62	165.192300.00	Air Guide, Alternator	1
63	999.090004.00	Pipe, Air Cleaner	1
64	2.06.039	Clamp, 145 x 55	1
65	999.100001.00	Gasket, Exhaust	2
66	165.101002.00.2	Muffler Exhaust Pipe	2
67	1.5789.1022	Flange bolt, M10 x 22	4
68	165.080009.08.2	Right Exhaust Duct Air Hood	1
69	1.16674.0512.2	Flange bolt, M5 x 12	12
70	165.080009.07.2	Left Exhaust Duct Air Hood	1
71	165.101006.00	Resistant Black Paint Clamp, U-Type M8	2
72	165.101001.00	Muffler Body	1
73	165.200021.20	Muffler Housing Assembly, Right, Soundproof Sponge	1
74	165.200021.21	Muffler Housing Assembly, Top, Soundproof Sponge	1
75	165.200021.19	Muffler Housing Assembly, Left, Soundproof Sponge	1

# ENGINE PARTS DIAGRAM



**ENGINE PARTS LIST**

#	Part Number	Description	Qty.
1	1.6674.0620	Hex Small Flange Bolt, M6 x 20	16
2	165.150006.00	Oil Cooler Cover	1
3	2.07.032	Oil Cooler Cover Sealing ring Ø81 x Ø89 x 5	1
4	2.07.031	Oil Cooler Cover Sealing Ring Ø220 x Ø228 x 5	1
5	2.08.165	Hex Flange Bolt, M10 x 1.25-100	3
6	165.290007.00	Cover, Motor Front	1
7	2.04.004	Location Pin Ø12 x 20	2
8	165.190020.00	Motor Front End Cover Gasket	1
9	999.080100.00	Fan Hood, Assembly	1
10	999.080001.00	Fan, Cooling	1
11	1.5789.0825	Hexagon Socket Screw	3
12	999.120106.00	Flywheel Sleeve	1
13	999.030100.00	Crankcase Component	1
14	1.5789.0615	Hex Flange Bolt, M6 x 15	2
15	999.120100.00	Flywheel Assembly	1
16	999.080500.00	Air Guide, Outer	1
17	999.130012.00	Intake Manifold	1
18	2.11.029	Seal, Pto Oil, Ø45 x Ø62 x 8	2
19	1.5789.0825	Hex Flange Bolt, M8 x 25	6
20	2.08.083	Bolt, Hex Flange M6 x 12	4
21	999.080800.00	Cover, Fan, Screen&Cooler Ribs	1
22	1.5789.0612	Hex Flange Bolt, M6 x 12	21
23	999.132200.01	Stepping Motor	1
24	999.111007.00	Clip, Clevis	1
25	999.110005.01	Slender, Spring	1
26	999.110006.01	Governor Actuator linkage	1
27	999.111007.01	Clip, Clevis	1
28	999.080104.01	Small Cap (left)	1
29	999.080104.02	Small Cap (right)	1

#	Part Number	Description	Qty.	
30	999.130003.00	Gasket, Carburetor	1	
31	717.030026.00	Plug, 1/8 NPT Hexagon Socket	1	
32-NG	999.131600.01	Fuel Assembly NG	1	
NG	1	102416	Screw, Fuel Inlet Body Set M5 x 14	3
	2	102424	Body Assembly, Fuel Inlet	1
	3	102580	Main Jet - Right, #600	1
	4	102579	Main Jet - Left, #570	1
	5	102582	Slow Jet - Right, #220	1
	6	102582	Slow Jet - Left, #220	1
	7	100845	Gasket, Fuel Inlet Body	1
32-LPG	999.131600.00	Fuel Assembly LPG Green Dot	1	
LPG	1	102416	Screw, Fuel Inlet Body Set M5 x 14	3
	2	102424-G	Body Assembly, Fuel Inlet	1
	3	102581	Main Jet - Right, #500	1
	4	100929	Main Jet - Left, #490	1
	5	101032	Slow Jet - Right, #120	1
	6	101032	Slow Jet - Left, #120	1
	7	100845	Gasket, Fuel Inlet Body	1
33-NG	999.131000.00	Carburetor Assembly, NG	1	
NG	1	102416	Screw, Fuel Inlet Body Set M5 x 14	3
	2	102424	Body Assembly, Fuel Inlet	1
	3	102580	Main Jet - Right, #600	1
	4	102579	Main Jet - Left, #570	1
	5	102582	Slow Jet - Right, #220	1
	6	102582	Slow Jet - Left, #220	1
	7	100845	Gasket, Fuel Inlet Body	1
	8	999.131029.00	Carburetor Body	1
34	1.16674.0680	Hex Small Flange Bolt, M6 x 80	4	
35	999.130011.00	Gasket, Intake Manifold	2	
36	1.16674.0850	Hex Small Flange Bolt, M6 x 50	4	

#	Part Number	Description	Qty.
37	1.77.0506	Set screws, Hexagon socket	1
38	999.032100.00	Oil Line	1
39	2.04.005	Location Pin Ø8 x 10	2
40	999.152102.00	Oil Pipe, Holder	1
41	999.125000.00	Motor Assembly, 24V Solenoid Shift Starter	1
42	999.050100.00	Assembly, Crankshaft	1
43	1.894.1.9.3	Axial Retaining Ring	1
44	999.091102.00	Air Colander, Bracket	1
45	61.151200.00	Pump Assembly, Oil	1
46	999.151100.00	Oil Separater	1
47	1.6191.0616	Hexagon Socket Screw, M6 x 16	4
48	61.150004.00	Spring, Compression	1
49	1.308.9.5	Ball Ø9.5, Steel Check Valve	1
50	999.151001.00	Outer Rotor, Oil pump	1
51	999.151002.00	Inner Rotor, Oil pump	1
52	61.151004.00	Pin, Oil pump	1
53	999.151003.00	Axle, Oil pump	1
54	61.150302.00	Oil filter Screen,Foundation	1
55	50.021005.00	Rectangle, Seal Ring	1
56	999.150301.00	Oil Filter, Component	1
57	999.021001.01	Cylinder, Head Cover	1
58	1.5789.0620.2	Hex Flange Bolt, M6 x 20	3
59	999.030007.00	Cover, Crankcase	1
60	1.5789.0853	Hex Flange Bolt, M6 x 23	12
61	999.050100.00	Connecting Rod Assembly	2
62	2.09.013	Retainer, Piston Pin, Ø22.5 x Ø1	4
63	999.050003.00	Pin, Piston	2
64	999.050301.01	Ring, Top Piston	2
65	999.050302.01	Ring, Piston, 2nd	2
66	999.050303.01	Oil Ring	2
67	999.040100.00	Camshaft Assembly	1
68	2.04.009	Location Pin Ø10 x 10	2

#	Part Number	Description	Qty.
69	999.030008.00	Gasket, Crankcase Cover	1
70	999.122000.00	Trigger Assembly	1
71	2.07.023	O-ring	1
72	2.03.057	Washer, Drain Bolt, Ø46 x Ø63 x 0.5	1
73	1.276.6210.1	Trigger, Gasket	1
74	999.031200.00	Tube, Oil Dipstick Assembly	1
75	999.031000.00	Blade Assembly, Oil Dipstick	1
76	61.030011.00	Plug, Crankcase Cover	1
77	1.5789.0835	Hexagon Flange Bolt, M8 x 35	2
78	999.030200.00	Fixed Support	1
79	999.010100.02	Cylinder Head Assembly, See Figure C1	1
80	5.1900.111	Electric Wire	1
81	999.091000.00	Air Filter Assembly	1
82	165.150007.00	Joint	2
83	2.06.028	Hose Clamp, Ø17	4
84	999.152101.01	Oil Pipe 1	1
85	999.152101.02	Oil Pipe 2	1
86	999.080700.01	Support, Tube	1
87	1.16674.0625	Hexagon Small Flange Bolt, M6 x 25	3
88	2.07.004	O-ring, Seal Ring	2
89	999.150201.03	Base Assembly, Oil Filter With Oil Cooler and Oil Pressure Switch	1
90	5.1050.003	Temperature Control Switch	1
91	1.823.0306.1	Cross Recessed Pan Head Screw, M3 x 6	2
92	717.120007.01	Switch, Low Oil Shut-Down	1
93	61.150202.00	Connect Nut	1
94	717.153000.02	Oil Filter	1
95	2.04.003	Location Pin Ø10 x 14	4
96	2.05.050	Clamp, 100 mm	2
97	999.091200.00	Cover, Air Filter	1
98	999.032003.00.48	Rotary Union, Yellow	1
99	2.15.016	Spark Plug, K7RTC	2



#	Part Number	Description	Qty.
100	2.08.135	Hex Flange Bolt, M8 x 55	12
101	999.123002.01	Package Support, Ignition Coil	1
102	2.03.056	Washer, Drain Bolt, Ø20.5 x Ø29 x 2	2
103	999.080300.01	Air Guide, Inner	1
104	999.091002.00	Seal Ring	1
105	999.032004.00	Copper Connection	1
106	717.040200.02	Follower, Camshaft	4
107	999.020002.00	Gasket, Rocker Cover	2
108	999.021001.02	Cylinder, Head Cover	1
109	1.5789.0625	Hex Flange Bolt, M6 x 35	8
110	102357	Cap, Oil Fill Assembly	1
1	2.07.001	Seal, Cap Oil Fill, Ø25.5 x Ø3.5	1
2	101813	Cap, Oil Fill	1
111	999.080300.02	Air Guide, Inner	1
112	999.126101.00	Ignition Signal Wire	1
113	2.08.146	Bolt, Drain, M20 x 1.5 x 25	1
114	999.126000.00	Ignition Assembly	1
115	999.091600.00	Retainer, AC Cover	1
116	2.06.047	Hose Clamp, Ø19 x b15	2
117	999.080600.00	Air Guide, Outer	1
118	1.16674.0615	Hex Small Flange Bolt, M6 x 15	4
119	999.123002.02	Package Support, Ignition Coil	1
120	2.06.039	Hose Clamps, 145 x 55 Rubber Protective Sleeve	1
121	101984	Ignition Coil Assembly	2
122	1.70.1.0306	Inner Hexagon Bolt, M3 x 6	4
123	999.130005.01	Support Plate, Stepper Motor	1
124	999.032005.00.48	Plug, Yellow	1
125	999.010003.00	Lifting Lug, M8	2
126	47.040004.00	Tappet	4
127	999.091108.00	Air Filter, Connecting Bolt	1
128	999.040005.00	Push Rod	4
129	999.091300.00	Air Filter, Filter Element	1

#	Part Number	Description	Qty.
130	999.080700.01	Support, V type	1
131	1.6191.0820	Internal Plum Bolt, M8 x 20	4
132	999.040201.00	Rocker, Holder	2
133	999.040016.00	Rocker, Shaft	2
134	999.091100.00	Air Filter Holder, Element	1
135	999.090004.00	Air Filter Tube	1
136	2.06.047	Hose Clamp, Ø19 x b15	2
137	1.5789.0620	Hex Flange Bolt, M6 x 20	2
138	50.021005.00	Rectangle, Seal Ring	1
139	50.021106.00	Spring plate holder	1
140	50.021104.00	Retainer, Reed Valve	1
141	50.021103.00	Reed Valve	1
142	999.020001.00	Tube, Breather	1
143	50.021002.00	Cover, Breather	1
144	50.021004.00	Ventilation Chamber, Clapboard	1
145	1.818.0306.3	Pan Head Screw, M3 x 6	2
146	999.021004.01	Respiratory Chamber, Clapboard	1
147	2.05.005	Wire Clamp, Ø6	1
148	1.893.1.90	Circlip Ø90	1
149	999.010100.01	Cylinder Head Assembly, See Figure C2	1
150	999.050005.01	Piston	2
151	717.090005.00	Gasket, AC Assembly	1
152	999.030006.00	Pressing Plate, Trigger	1
153	1.5789.0615	Hex Flange Bolt, M6 x 15	1

## CYLINDER HEAD 1 PARTS DIAGRAM

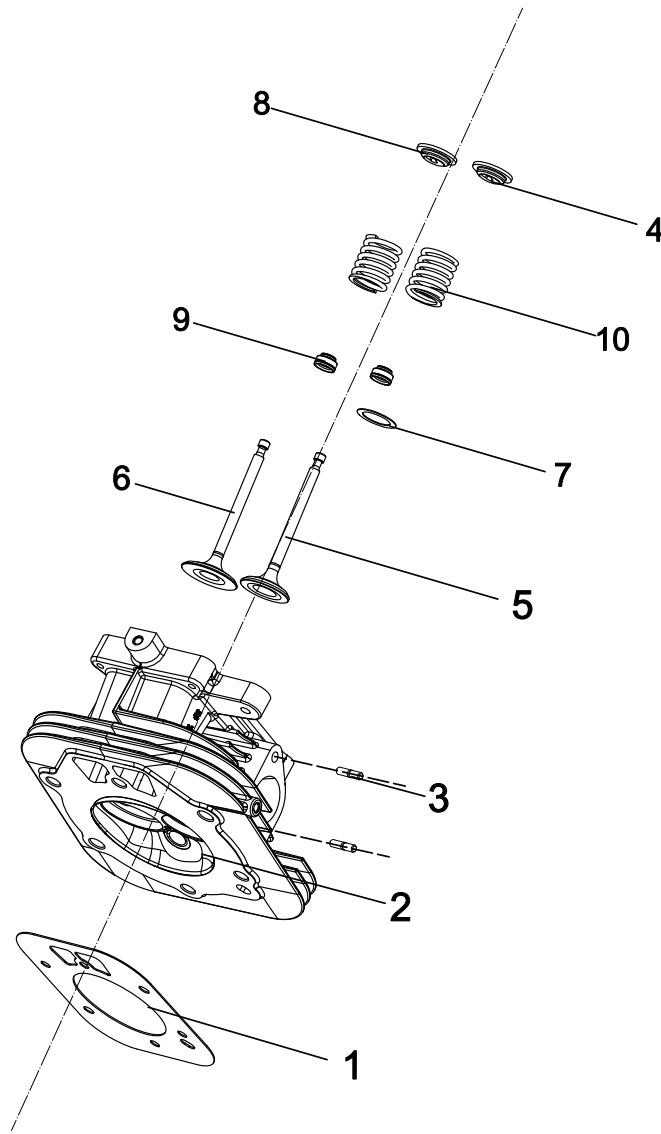


Figure C1

**CYLINDER HEAD 1 PARTS LIST**

#	Part Number	Description	Qty.
1	999.030009.00	Gasket Assembly, Cylinder Head	1
2	999.010100.02	Cylinder Head	1
3	2.01.010	Exhaust Stud Bolt M8 x 35	2
4	45.040001.00	Exhaust Valve Seat, Superior	1
5	999.040006.00	Exhaust Valve	1
6	999.040002.00	Intake Valve	1
7	717.040015.00	Valve Spring Seat, Below	1
8	45.040001.00	Intake Valve Seat, Superior	1
9	717.040017.00	Oil Seal, Valve Stem	2
10	45.040003.00	Valve Spring	2

## CYLINDER HEAD 2 PARTS DIAGRAM

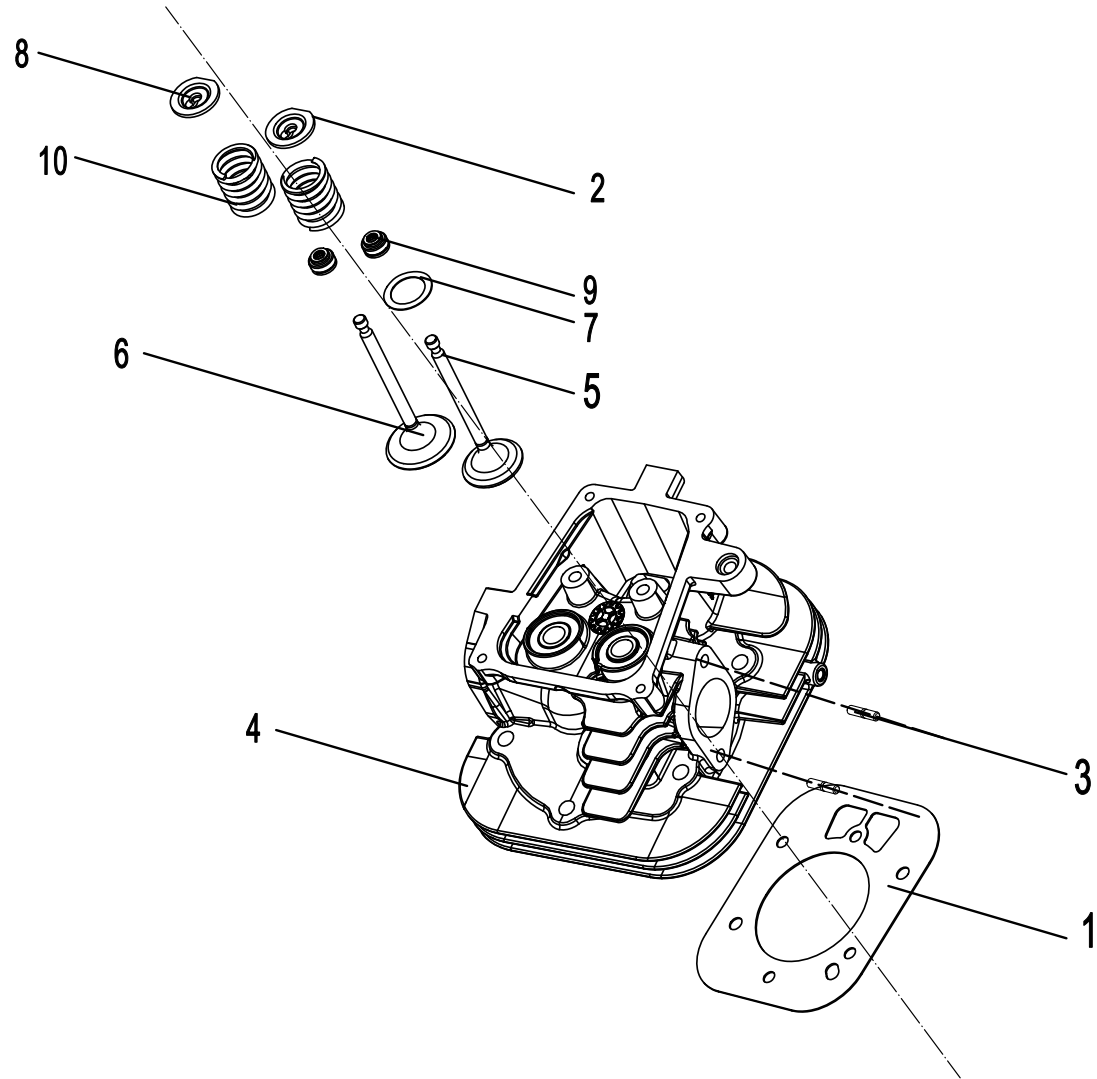


Figure C2

**CYLINDER HEAD 2 PARTS LIST**

#	Part Number	Description	Qty.
1	999.030009.00	Gasket Assembly, Cylinder Head	1
2	45.040001.00	Exhaust Valve Seat, Superior	1
3	2.01.010	Exhaust Stud Bolt M8 x 35	2
4	999.010100.01	Cylinder Head	1
5	999.040006.00	Exhaust Valve	1
6	999.040002.00	Intake Valve	1
7	717.040015.00	Valve Spring Seat, Below	1
8	45.040001.00	Intake Valve Seat, Superior	1
9	717.040017.00	Oil Seal, Valve Stem	2
10	45.040003.00	Valve Spring	2

# TOP LEFT COVER PARTS DIAGRAM

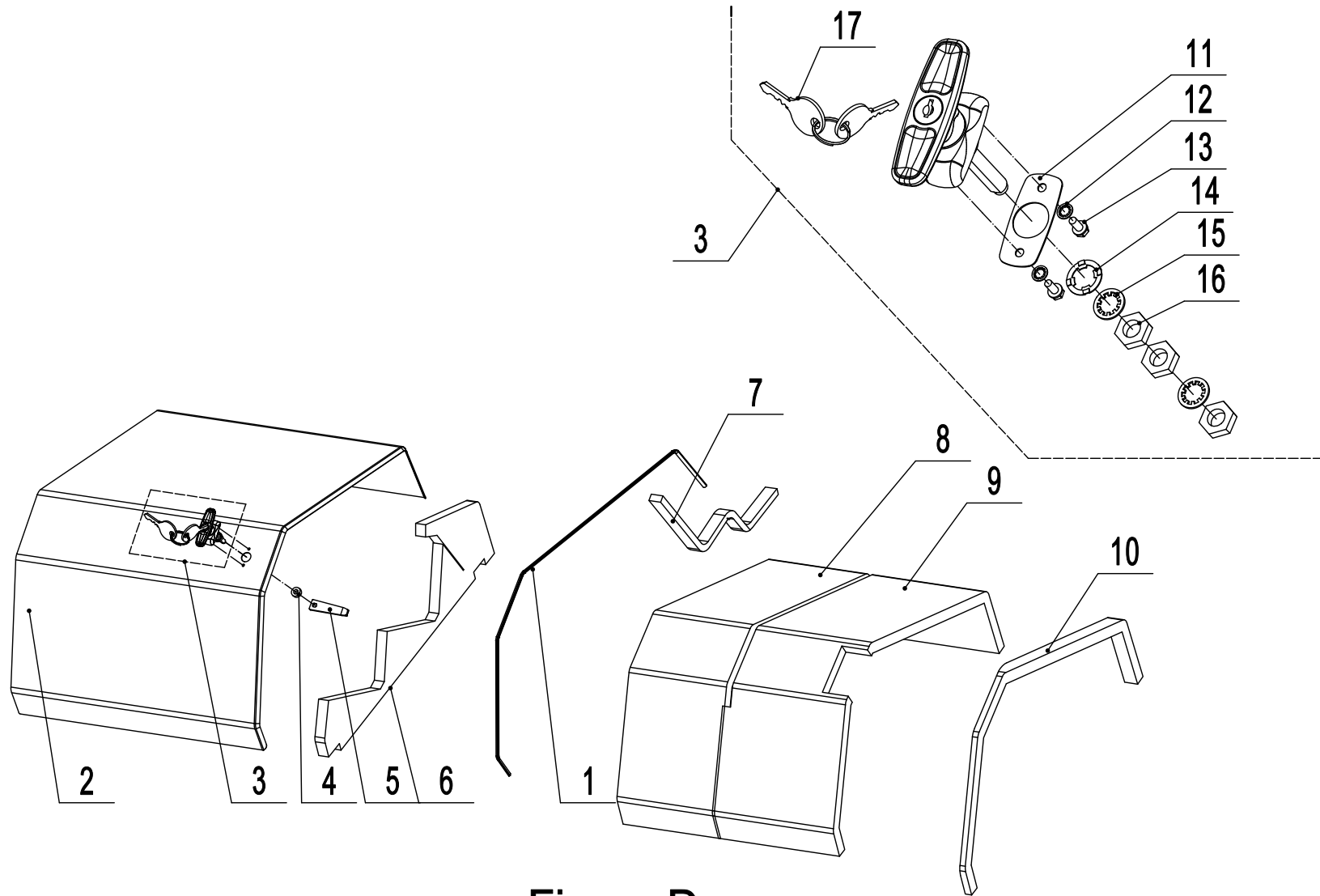
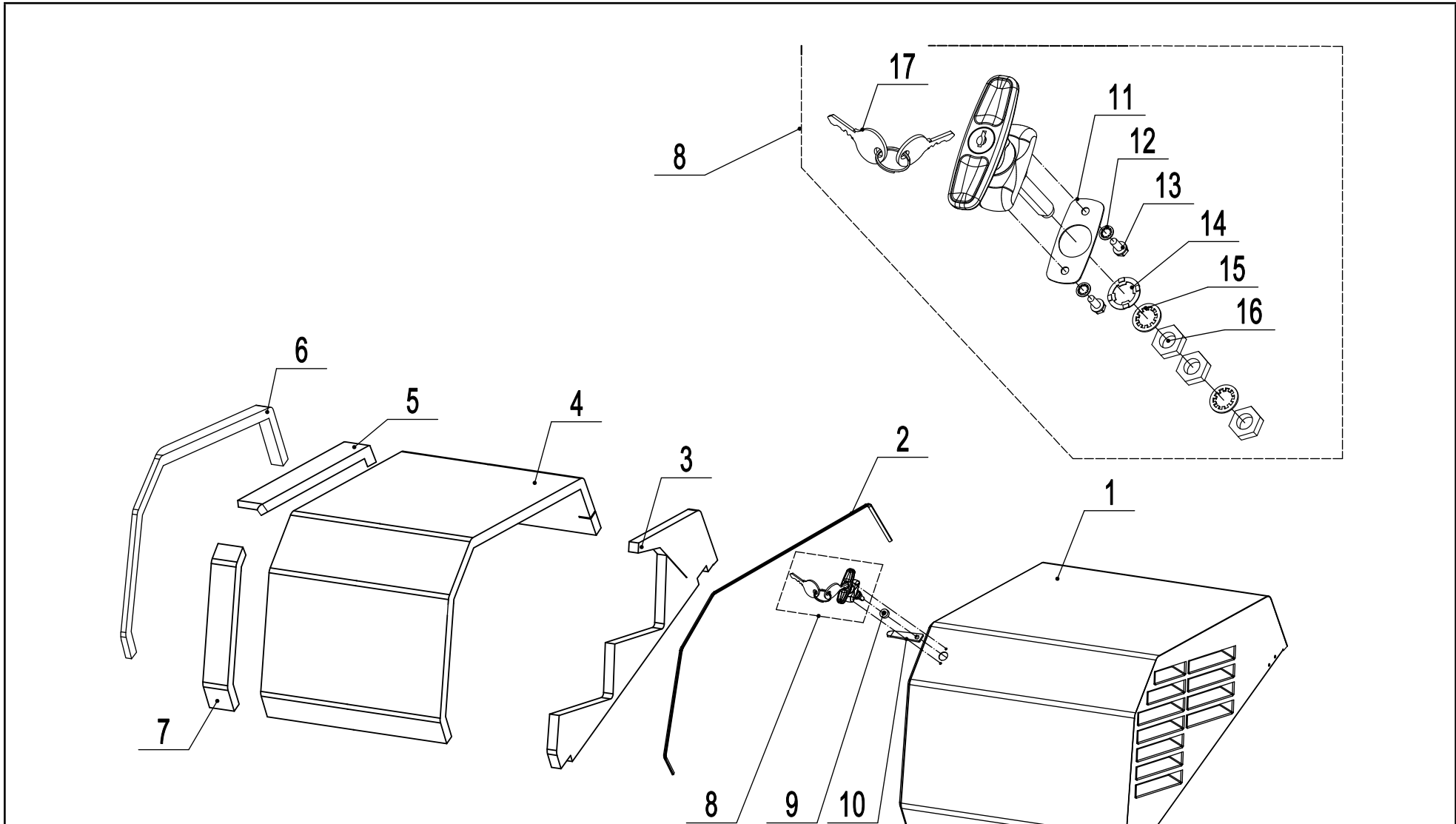


Figure D

**TOP LEFT COVER PARTS LIST**

#	Part Number	Description	Qty.
1	161.200109.00	Seal Strip, 20 x 1152 x 8mm, Gutter	1
2	165.200500.60.24	Top Cover, Left	1
3	161.200110.00	Handle Assembly	1
4	2.13.027	Bushing, Ø10.5×Ø16×7.5	1
5	161.201004.00	Locking Plate	1
6	163.200021.06	Acoustic Panel, Left Cover, Side	1
7	163.200021.09	Seal Strip, Top Cover, 32 x 760 x 15mm	1
8	165.200021.12	Acoustic Panel, Cover, Top	1
9	165.200021.13	Acoustic Panel, Left Cover, Top	1
10	161.200021.02	Seal, Gutter	1
11	161.200110.00.07	Rubber Gasket, Handle	1
12	161.200110.00.02	Locking Washer, Ø5	2
13	161.200110.00.03	Bolt M5 x 12	2
14	161.200110.00.04	Wave Washer Ø10	1
15	161.200110.00.05	Locking Washer Ø10	2
16	161.200110.00.06	Nut, M10	3
17	161.200110.00.01	Key, Handle	1

# TOP RIGHT COVER PARTS DIAGRAM



## Figure E



**TOP RIGHT COVER PARTS LIST**

#	Part Number	Description	Qty.
1	165.200500.61.24	Top Cover Assembly, Right	1
2	161.200109.00	Seal Strip, 20 x 1152 x 8mm, Gutter	1
3	163.200021.07	Acoustic Panel, Right Cover, Side	1
4	165.200021.11	Acoustic Panel, Cover, Top	1
5	165.200021.17	Acoustic Panel, Cover, Top, Handle	1
6	161.200021.02	Seal, Gutter	1
7	165.200021.18	Acoustic Panel, Cover, Top, Handle	1
8	161.200110.00	Handle Assembly	1
9	2.13.027	Bushing, Ø10.5 x Ø16 x 7.5	1
10	161.201004.00	Locking Plate	1
11	161.200110.00.07	Rubber Gasket, Handle	1
12	161.200110.00.02	Locking Washer, Ø5	2
13	161.200110.00.03	Bolt, M5 x 12	2
14	161.200110.00.04	Wave Washer, Ø10	1
15	161.200110.00.05	Locking Washer, Ø10	2
16	161.200110.00.06	Nut, M10	3
17	161.200110.00.01	Key, Handle	1

## ALTERNATOR PARTS DIAGRAM

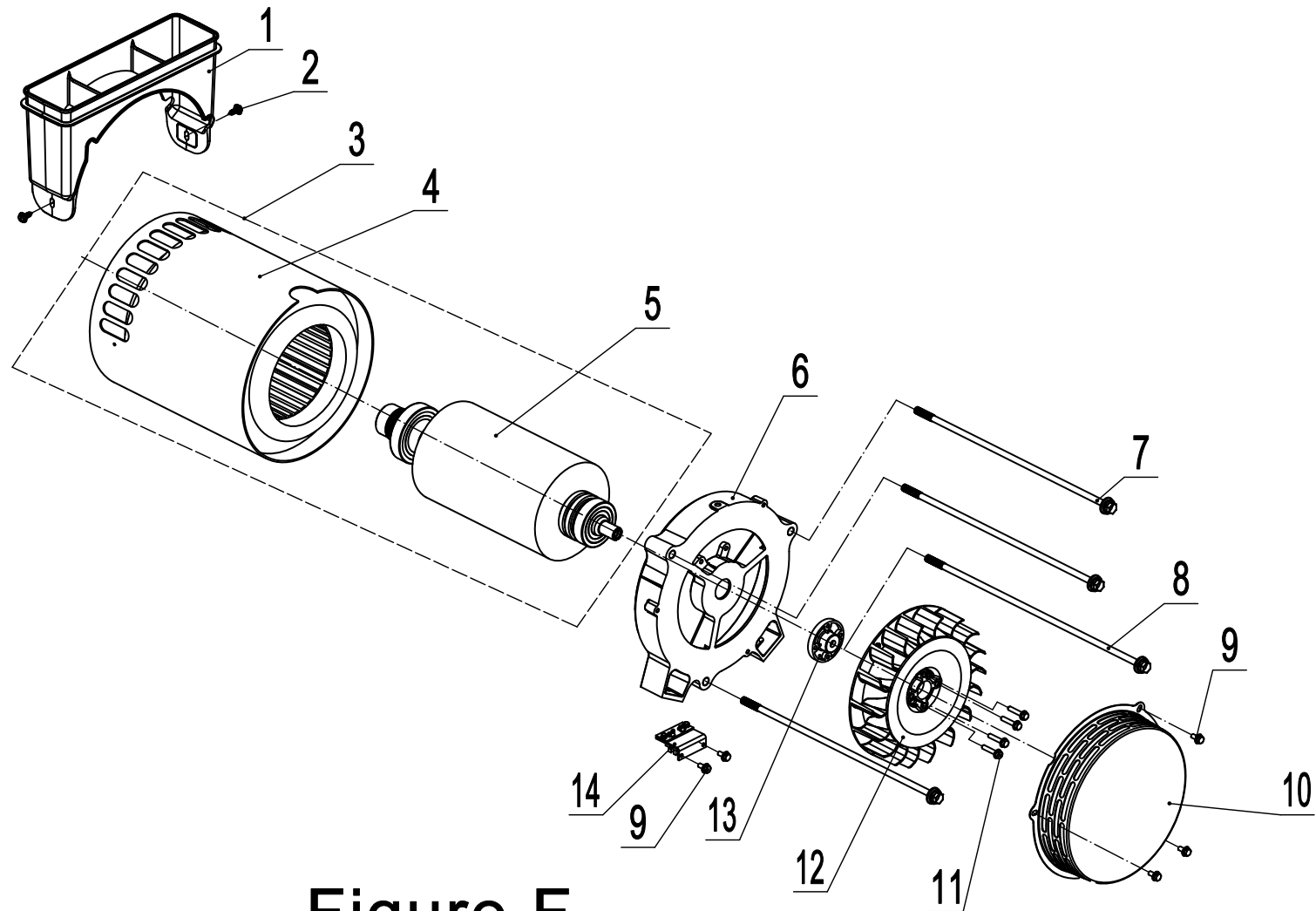


Figure F

**ALTERNATOR PARTS LIST**

#	Part Number	Description	Qty.
1	165.192100.01	Air Hood Bracket Assembly Motor	1
2	2.08.068.2	Flange Bolt M5 x 13	2
3	165.191000.00	Motor Assembly,Cu, Ø270 x 180 mm	1
4	165.191200.00	Stator Assembly, Cu, Ø270 x 180 mm	1
5	165.191100.00	Rotor Assembly, Cu, Ø270 x 180 mm	1
6	165.190002.00	End Housing	1
7	2.08.142	Flange Bolt M10 x 400	3
8	2.08.141	Flange Bolt M10 x 452	1
9	1.5789.0612	Flange Bolt M6 x 12	5
10	165.190003.00.2	End Cover, Generator, Black	1
11	1.5789.0629	Flange Bolt M6 x 29	4
12	165.190001.00	Motor Fan	1
13	164.190019.00	Motor Fan Coupling	1
14	171.190300.01	Carbon Brush Assembly	1

# BOTTOM HOUSING PARTS DIAGRAM

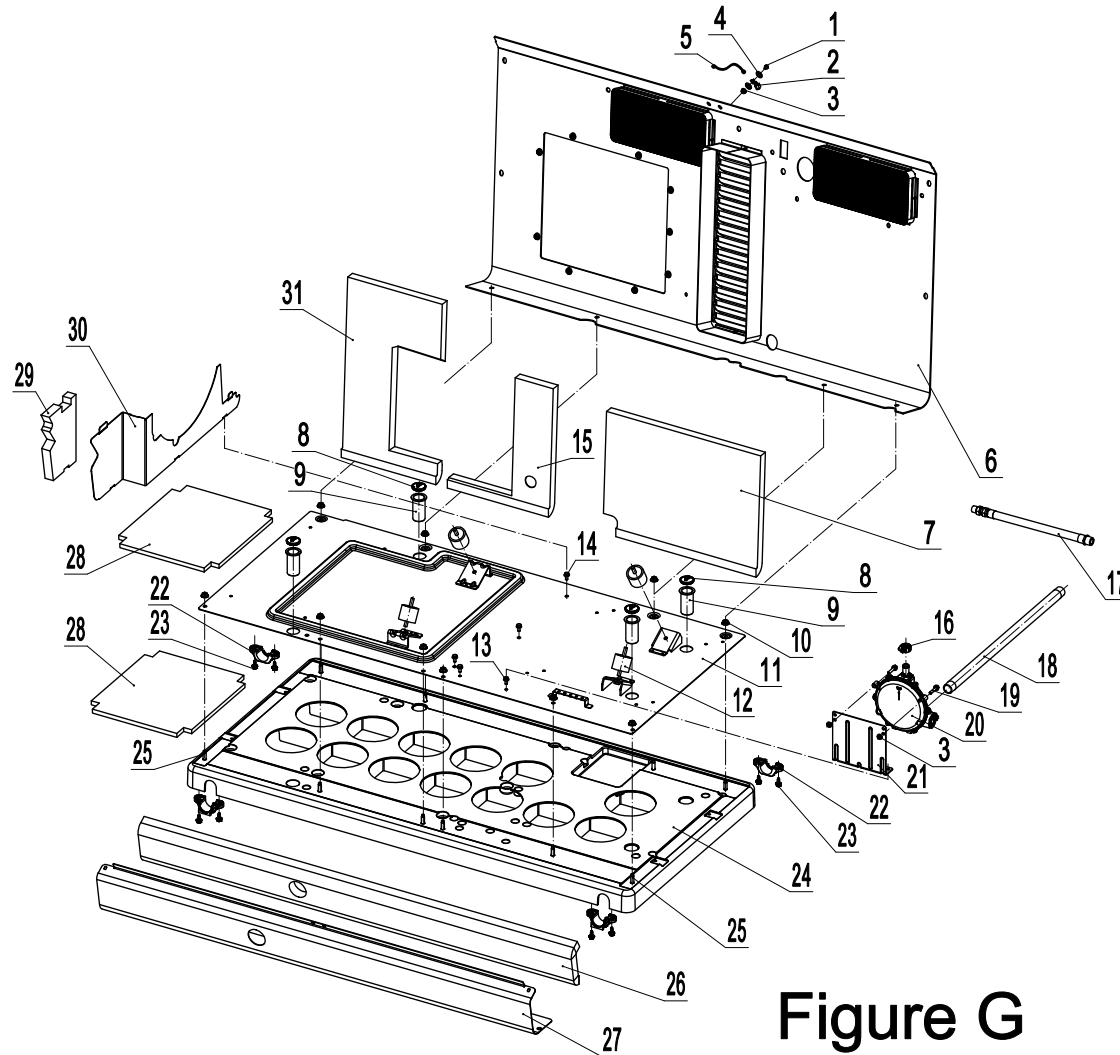


Figure G

**BOTTOM HOUSING PARTS LIST**

#	Part Number	Description	Qty.
1	1.5789.0625	Flange bolt, M6 x 25	1
2	5.1560.000	Ground Wire Terminal, Ø6, UL	1
3	1.6177.1.06	Flange Lock Nut M6	3
4	1.862.06	Toothed Lock Washer, Ø6	1
5	5.1900.185	Grounding Line 6# 155 mm	1
6	165.200401.60.24	Rear Cover, Silk Grey, Flame Retardant and Textured	1
7	165.200021.05	Acoustic Panel, Rear Center Chamber, Flame Retardant Right	1
8	165.200608.00	Hurricane Tie Down Cap	4
9	165.201804.00	Hurricane Tie Down Bushing	4
10	1.6177.1.08	Flange Lock Nut M10	10
11	165.200601.60.24	Base Center, Silk Grey, Flame Retardant and textured	1
12	165.200605.00	Motor Mount M8	4
13	1.5789.0612	Flange bolt, M6 x 12	2
14	1.16674.0812	Flange bolt, M8 x 12	3
15	165.200021.04	Acoustic Panel, Rear Center Chamber, Flame Retardant Middle	1
16	2.06.052	Clamp, Ø32	1
17	163.130021.01	Flexible Fuel Hose, NPT 3/4	1
18	165.130021.00	Galvanized Pipe, NPT 3/4, 590mm LONG	1
19	1.5789.0625	Flange bolt, M6 x 25	2
20	165.136000.00	Pressure Reducing Valve, LPG/NG	1
21	161.200018.00	Supportor, Pressure Reducing Valve	1
22	165.201802.00	Tray Non Slip Cover	4
23	2.08.102.1	High And Low Teeth Tapping Screws, M6 x 13, Black	8
24	165.201800.00	Plastic Pallet, PP	1
25	1.5783.0825	Bolt, M8 x 25	10
26	165.200021.06	Foams, Front Cover, Flame Retardant	1

#	Part Number	Description	Qty.
27	165.200101.60.24	Front Cover, Silk Grey, Flame Retardant and Textured	1
28	165.200021.10	Foams, Heat Insulation, Flame Retardant	2
29	165.200021.09	Lower Diaphragm Sponge	1
30	165.200005.60.24	Firewall, Left, Silk Grey, Flame Retardant and Textured	1
31	165.200021.03	Acoustic Panel, Rear Center Chamber, Flame Retardant Left	1

# CONTROL PANEL PARTS DIAGRAM

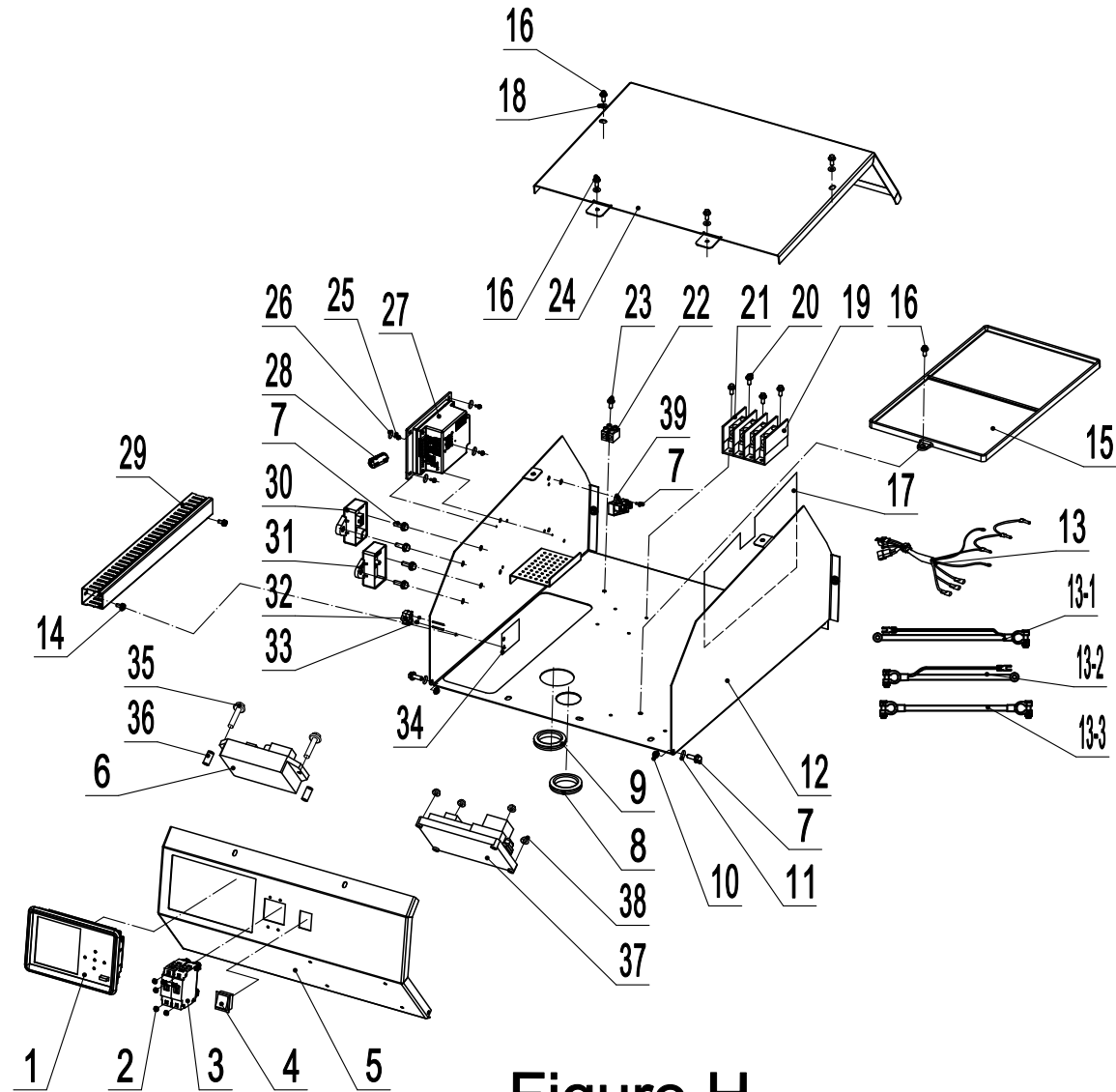


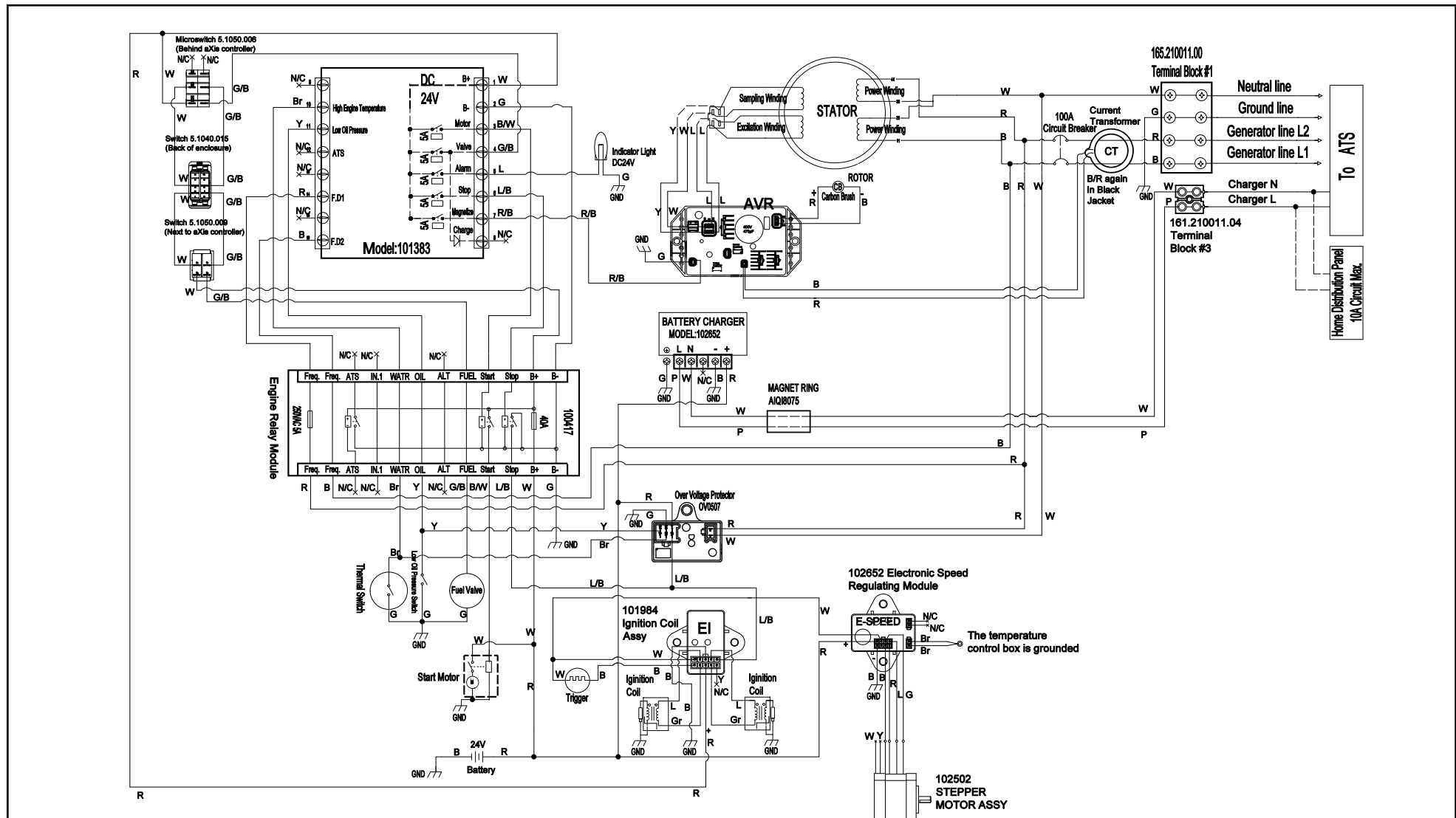
Figure H

**CONTROL PANEL PARTS LIST**

#	Part Number	Description	Qty.
1	101383	Axis Controller	1
2	1.9074.4.0306.2	Screw/Washer Assembly M3 x 6	4
3	5.1241.9100.2	100Amp Circuit Breaker, Double Pole, UL	1
4	5.1050.009	Switch, UL, Black	1
5	165.200004.61.24	Cover, Electric Cabinet, Silk Grey, Flame Retardant and textured	1
6	165.190200.01	AVR, TT916-406	1
7	1.5789.0615	Flange Bolt, M6 x 15	7
8	165.200503.01	Grommet, Hose	1
9	163.210003.00	Grommet, Wire	1
10	1.6182.06	Lock Nut, M6	2
11	2.03.060	Nylon Gasket	2
12	165.200004.62.24	Front Panel, Electric Cabinet	1
13	100304.21.10	Wire Assembly	1
13-1	5.1910.011	Battery Cable, Positive, Red	1
13-2	5.1910.012	Battery Cable, Negative, Black	1
13-3	5.1900.186	Battery Series Cable, Black	1
14	1.9074.4.0410.2	Bolt, M4 x 10	2
15	165.201803.00	Battery Tray	1
16	1.5789.0612	Flange Bolt, M6 x 12	5
17	165.210015.00	Armature Paper	1
18	2.03.064	Washer, Ø6 × Ø12	4
19	165.210011.01	Terminal Block, 100A	4
20	1.16674.0512.2	Flange Bolt M5 x 12	4
21	165.210011.02	Terminal Partition	1
22	161.210011.04	Terminal, Two Holes, Connector	1
23	1.818.0420.1	Screw, M4 x 20	1
24	165.200004.60.24	Rear Panel Electric Cabinet	1
25	1.9074.4.0512.1	Bolt, M5 x 12, Black	4
26	102652	Charger, Battery, 24V, 7A	1

#	Part Number	Description	Qty.
27	165.216008.03	Groove Assembly, 400 mm	1
28	102562	Electronic Speed Regulating Module	1
29	999.126000.00	Igniter Assembly	1
30	5.1050.006	Microswitch, 2-Pole	1
31	1.6170.025	Nut, M2.5	2
32	165.210015.01	Armature Paper	1
33	1.5789.0525	Flange Bolt, M5 x 25	2
34	2.13.034	Bush	2
35	100417	Relay Module, Engine	1
36	1.6177.1.03.1	Lock Nut M3, Flange, Black	4
37	5.1810.001	Over Voltage Protector, OV0507	1

# WIRING DIAGRAM



R	Red	G	Green	O/B	Orange/Black	N/C	Not Connect
B	Black	O	Orange	G/B	Green/Black	Gr	Grey
Br	Brown	W	White	R/B	Red/Black		
Y	Yellow	P	Pink	B/W	Black/White		
L	Blue	Pu	Purple	L/B	Blue/Black		

5.1050.006	Double Pole Microswitch
5.1040.015	Emergency Stop Switch
5.1050.009	Switch, UL, Black