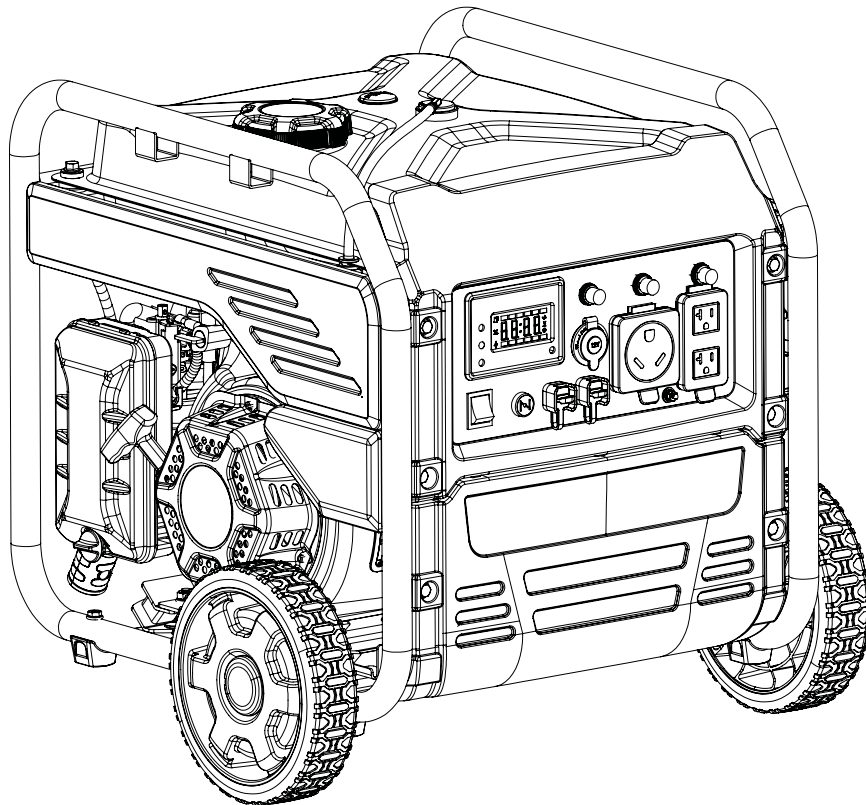




Champion Power Equipment, Inc., Santa Fe Springs, CA USA

MODEL #201274



PARTS INFORMATION

4250W OPEN FRAME INVERTER

SERIAL NUMBER RANGE: ALL



To order replacement parts please visit:
shop.championpowerequipment.com
or call **1-877-338-0999**.

TABLE OF CONTENTS

Inverter Generator Parts Diagram	3
Inverter Generator Parts List	4
Engine Parts Diagram	5
Engine Parts List	6
Cylinder Head Parts Diagram	8
Cylinder Head Parts List	9
Carburetor Parts Diagram	10
Carburetor Parts List	11
Fuel Tank Parts Diagram	12
Fuel Tank Parts List	13
Control Panel Parts Diagram	14
Control Panel Parts List	15
Frame Assembly Parts Diagram	16
Frame Assembly Parts List	17
Wiring Diagram	18

INVERTER GENERATOR PARTS DIAGRAM

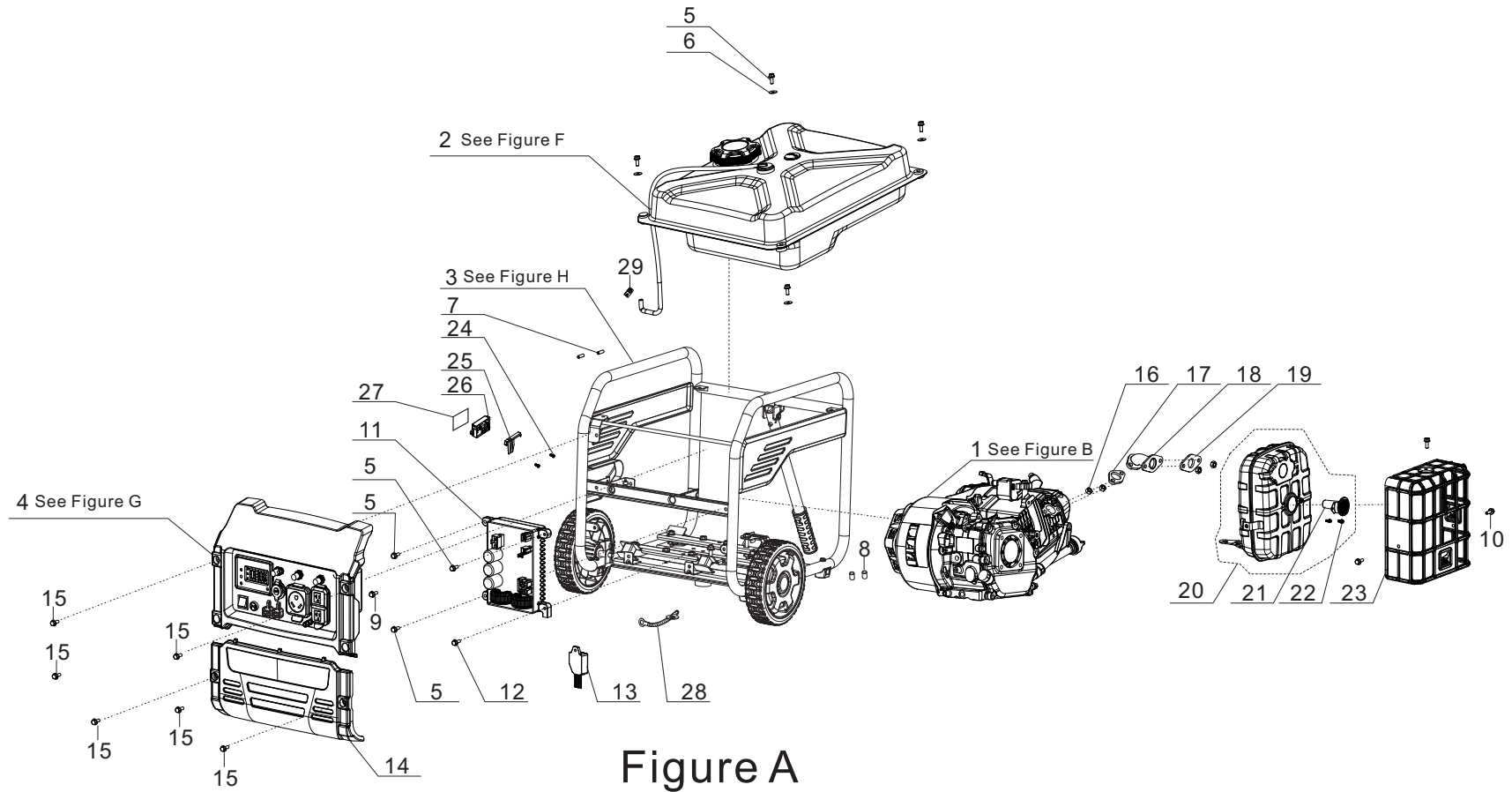


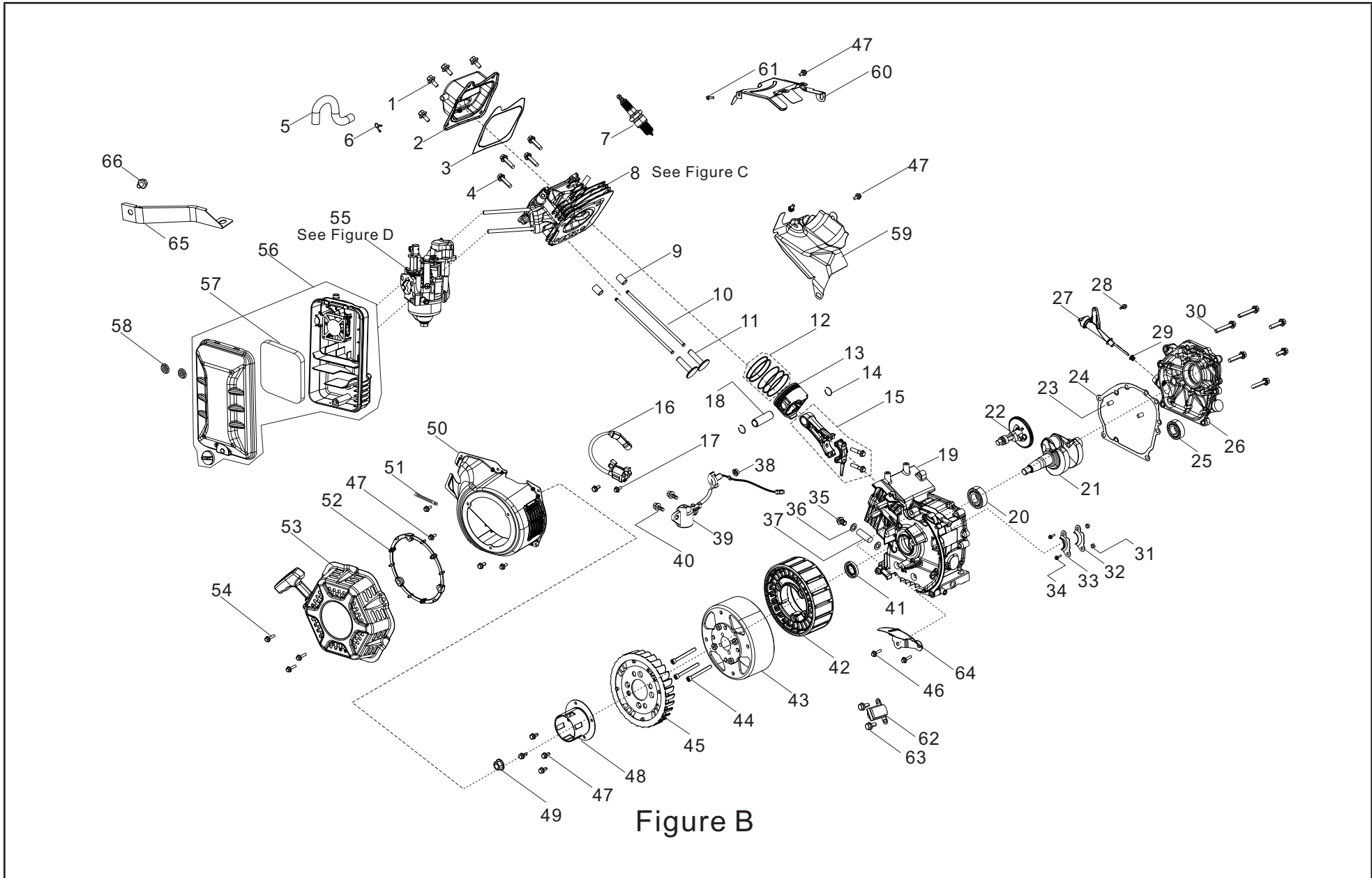
Figure A

INVERTER GENERATOR PARTS LIST

#	Part Number	Description	Qty.
1	96100-225VI000-01	Engine (See Figure B)	1
2	96104-Y16620-0006	Fuel Tank Assembly (See Figure F)	1
3	96103-Y51100-0007	Frame Assembly (See Figure H)	1
4	96119-Y35610-0001	Panel Assembly (See Figure G)	1
5	90001-000027	Hexagon Flange Bolt M6 x 25	7
6	90408-000014	Washer Ø6.5 x Ø18 x 1.5	4
7	30431-000002	Fuel Tube Rubber Sleeve Ø9 x Ø11 x 45	2
8	17007-000001	Rubber Sheath	2
9	90001-000017	Hexagon Flange Bolt M6 x 10	1
10	90022-000001	Hexagon Flange tooth Bolt M6 x 12	3
11	30043-000023	Inverter	1
12	90001-000031	Hexagon Flange Bolt M6 x 30	1
13	30060-000019	Rectifier	1
14	82007-000003	Decorative Covers	1
15	90001-000023	Hexagon Flange Bolt M6 x 16	6
16	90303-000006	Hexagon Nut M8	4
17	18001-000011	Exhaust Outlet Gasket	1

#	Part Number	Description	Qty.
18	18150-000002	Exhaust Pipe	1
19	18101-000001	Muffler Outlet Gasket	1
20	18100-000018	Muffler Assembly	1
21	18250-000006	Spark Arrestor	1
22	90001-000018	Hexagon Flange Bolt M6 x 12	2
23	18013-000005	Muffler Cover	1
24	90103-000013	Screw M5 x 16	2
25	30351-000003	CO Alarm Cover	1
26	35720-000003	CO Alarm	1
27	93097-000002	CO Alarm Insulator Plate	1
28	30009-000020	Grounding Wire	1
29	90685-000010	Clamp Ø10.5 x 0.8 x 8	1

ENGINE PARTS DIAGRAM



ENGINE PARTS LIST

#	Part Number	Description	Qty.
1	90001-000018	Hexagon Flange Bolt M6 x 12	4
2	12410-000012	Cylinder Head Cover Subassembly	1
3	12004-000017	Cylinder Head Cover Gasket	1
4	12003-000001	Cylinder Head Bolt M8 x 60	4
5	17004-000022	Breather Tube Ø8 x 12	1
6	90740-000006	Clamp Ø11 x Ø1.4	1
7	30010-000001	F6RTC Spark Plug	1
8	96101-Z120410-0007	Cylinder Head See Figure C	1
9	90502-000007	Pin Ø11 x 14	2
10	14071-000005	Valve Lifter	2
11	14081-000002	Valve Tappet	2
12	13200-000007	Piston Ring Assembly	1
13	13111-000010	Piston	1
14	13122-000001	Piston Pin Clip	2
15	13010-000015	Connecting Rod	1
16	30400-000037	Ignition Coil	1
17	90001-000026	Hexagon Flange Bolt M6 x 25	2
18	13121-000001	Piston Pin Ø18 x Ø14 x 54	1
19	11310-000021	Crankcase Subassembly	1
20	90547-000016	Bearing 1 6305	1
21	13300-000020	Crankshaft Assembly	1
22	14200-000012	Camshaft Assembly	1
23	90502-000002	Pin Ø8 x 12	2
24	11001-000001	Crankcase Gasket	1
25	90547-000006	Bearing 2 6205	1
26	11411-000020	Crankcase Cover	1
27	15010-000022	Oil Dipstick Subassembly	1
28	90001-000024	Hexagon Flange Bolt M6 x 20	1
29	15014-000001	Oil Dipstick Sealing Plug	1
30	90001-000047	Hexagon Flange Bolt M8 x 32	6

#	Part Number	Description	Qty.
31	90305-000003	Hexagon Flange Nut M5	2
32	54066-000002	Wiring Clamp	1
33	30002-000001	Magneto Wiring Clamp	1
34	90001-000008	Hexagon Flange Bolt M5 x 20	2
35	11007-000001	Drain Plug Bolt M10 x1.25 x15	1
36	90408-000021	Flat Washer Ø10×Ø15.8×1.5	2
37	11011-000006	Oil Drain Pipe	1
38	90305-000014	Hexagon Flange Nut M10	1
39	37060-000004	Engine oil Sensor	1
40	90001-000022	Hexagon Flange Bolt M6 x 16	2
41	90682-000002	Oil Seal Ø25 x Ø41.25 x 6	1
42	30120-000018	Stator Component Ø152 x 38	1
43	30110-000014	Rotor Component	1
44	90001-000037	Hexagon Flange Bolt M6 x 55	3
45	19352-000016	Engine Cooling Fan	1
46	90001-000022	Hexagon Flange Bolt 2 M6 x 16	2
47	90001-000019	Hexagon Flange Bolt M6 x 12	11
48	28002-000012	Starter Pulley	1
49	13501-000001	Flywheel Nut M14 x 1.5	1
50	19330-000001	Shroud Assembly	1
51	90684-000001	Clip 130 x 10.6 x 6	1
52	28261-000001	Recoil Starter Retainer Ring	1
53	28200-000007	Recoil Starter Assembly	1
54	90251-000002	Bolts & Washer Assembly M6 x 18	3
55	96105-Z16100-0005	Carburetor See Figure D	1
56	17100-000020	Air Cleaner	1
57	17151-000009	Air Cleaner Element	1
58	90305-000007	Hexagon Flange Nut M6	2
59	19304-000008	Cylinder Body Shroud	1
60	12014-000003	Cylinder Head Guide Plate	1

#	Part Number	Description	Qty.
61	90107-000001	Tapping Screws ST4.2×10	1
62	30130-000009	Trigger	1
63	90007-000004	Hexagon Flange Bolt M5 x 16	2
64	28118-000002	Wind Block	1
65	17003-000008	Air Cleaner Support	1
66	90001-000019	Hexagon Flange Bolt M6 x 12	1

CYLINDER HEAD PARTS DIAGRAM

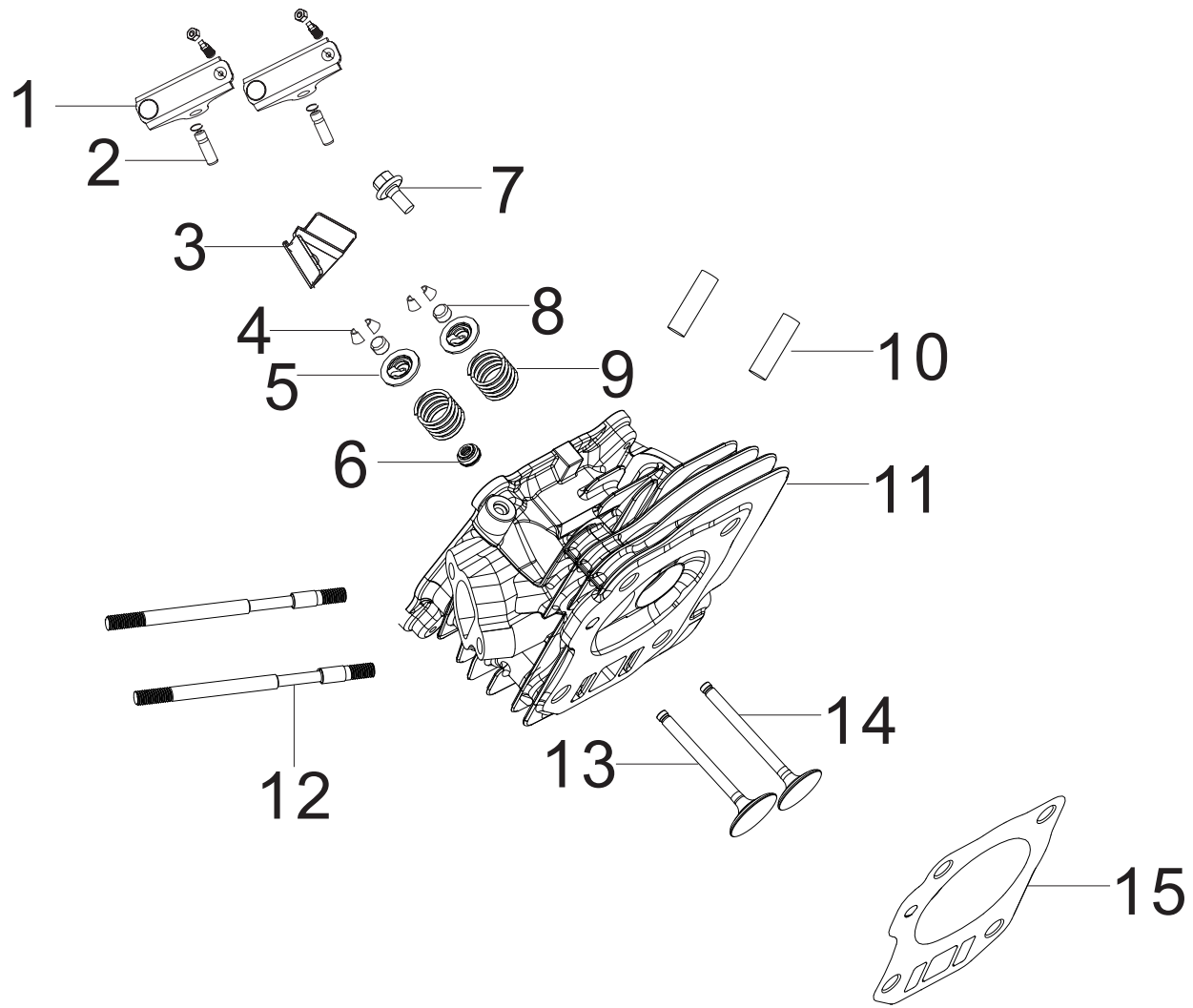


Figure C

CYLINDER HEAD PARTS LIST

#	Part Number	Description	Qty.
1	14310-000008	Valve Rocker Subassembly	2
2	14318-000007	Valve Rocker Shaft Subassembly	2
3	12419-000002	Cylinder Head Cove Pin Plate	1
4	12109-000004	Valve Lock Clamp	4
5	12112-000008	Valve Spring Retainer	2
6	12101-000006	Seal Guide	1
7	90001-000019	Hexagon Flange Bolt M6 x 12	1
8	12104-000003	Valve Adjusting Cap Ø5 x Ø8 x 3.6	2
9	12103-000010	Valve Spring	2
10	90203-000001	Stud M8 x 34	2
11	12140-000027	Cylinder Head Subassembly	1
12	90207-000002	Stud M6 x 105	2
13	12111-000008	Inlet Valve	1
14	12121-000009	Exhaust Valve	1
15	12131-000009	Cylinder Head Gasket	1

CARBURETOR PARTS DIAGRAM

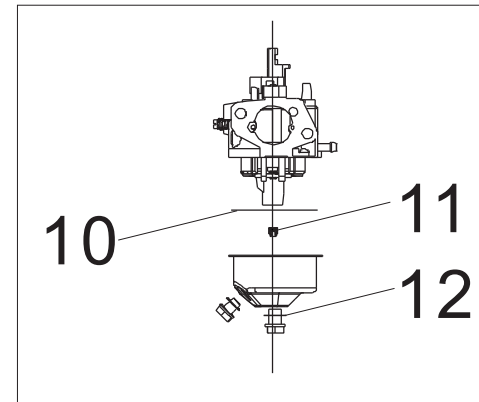
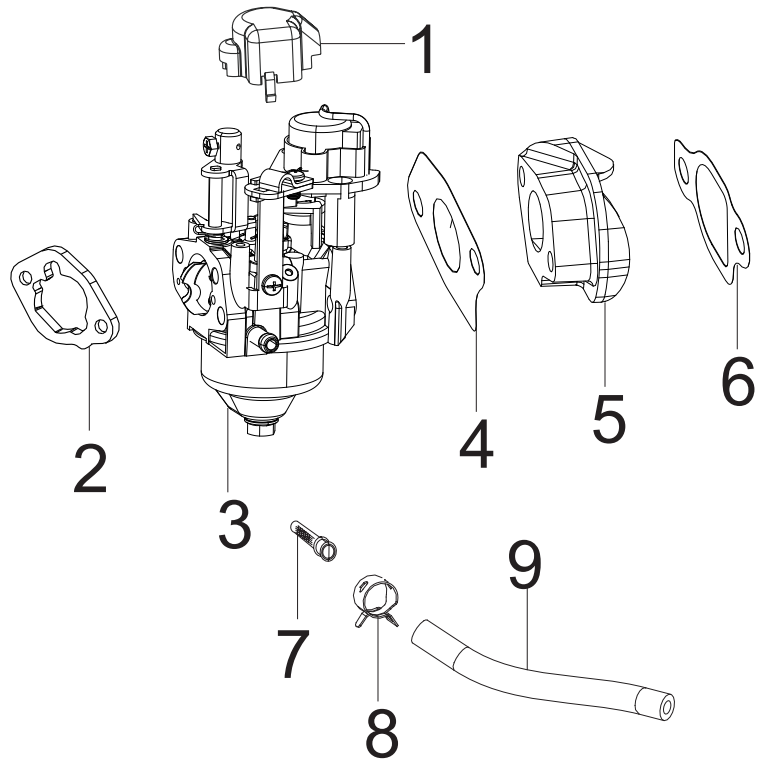


Figure D

CARBURETOR PARTS LIST

#	Part Number	Description	Qty.
1	14411-000001	Cap	1
2	17001-000002	Air Cleaner Gasket	1
3	16100-000038	Carburetor Assembly	1
4	16001-000001	Carburetor Gasket	1
5	16003-000007	Carburetor Insulator Plate	1
6	16002-000006	Carburetor Insulator Gasket	1
7	16652-000016	Fuel Filter	1
8	90685-000007	Clamp Ø9.5 x Ø8 x 0.8	1
9	90686-000013	Fuel Tube Ø4.5 x Ø8.5 x 140	1
10	16112-000001	Float Seal Ring	1
11	16161-000087	Standard Main Jet(H128×0.73)	1
	16161-000088	Altitude 3000-6000 Feet Main Jet(H128×0.76)	/
	16161-000089	Altitude 6000-8000 Feet Main Jet(H128×0.79)	/
12	90681-000003	Seal Ring	1

FUEL TANK PARTS DIAGRAM

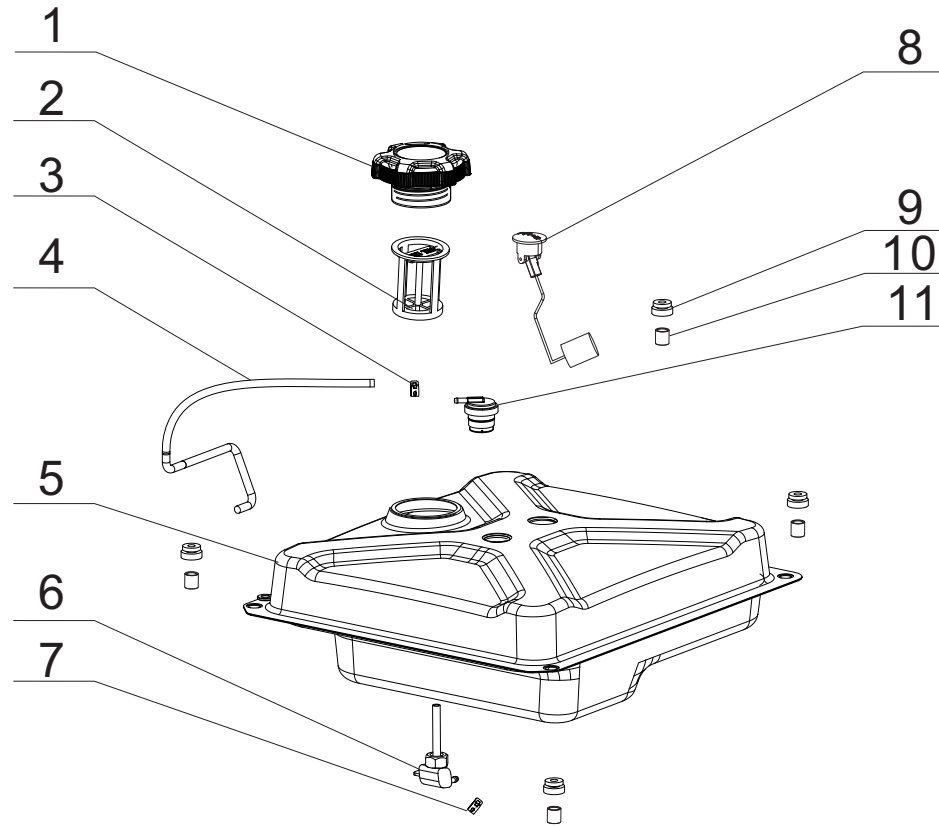


Figure F

FUEL TANK PARTS LIST

#	Part Number	Description	Qty.
1	16730-000010	Fuel Tank Cap	1
2	16652-000009	Fuel Filter	1
3	90740-000005	Clamp Ø9	1
4	16804-000025	Connection Tube Ø4.5 x Ø8.5 x 860	1
5	16620-000021	Fuel Tank	1
6	16750-000007	Fuel Valve Assembly	1
7	90685-000012	Clamp Ø8 x 7 x 0.6	1
8	37200-000012	Fuel Gauge	1
9	16601-000003	Fuel Tank Vibration Mount	4
10	90683-000005	White Zinc Bushing	4
11	15150-000003	One Way Valve	1

CONTROL PANEL PARTS DIAGRAM

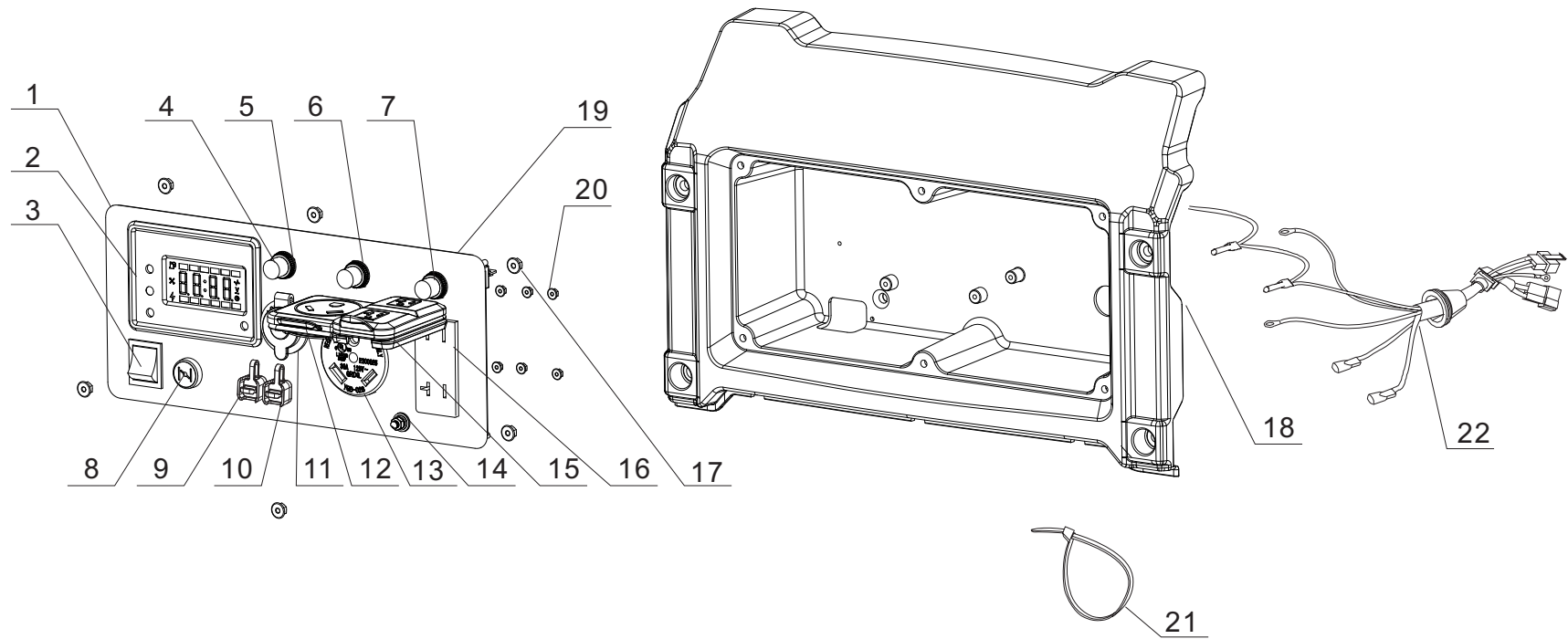


Figure G

CONTROL PANEL PARTS LIST

#	Part Number	Description	Qty.
1	35650-000017	Control Panel	1
2	35632-000017	Intelliguage INT2MINV	1
3	35160-000002	Engine Switch	1
4	35654-000005	Push Botton Cover	3
5	31234-000002	Push Botton 8Amp Circuit Breaker	1
6	31234-000004	Push Button 20Amp Circuit Breaker	1
7	31234-000009	Push Button 30Amp Circuit Breaker	1
8	16080-000011	Choke Handle Subassembly	1
9	35614-000019	Red Wireless Parallel	1
10	35614-000020	Black Wireless Parallel	1
11	35619-000003	12V DC Automotive Receptacle	1
12	35654-000011	TT-30R Receptacle Cover	1
13	35614-000007	30A TT-30R Receptacle (125V)	1
14	35629-000001	Ground Termina Assembly	1
15	35654-000013	5-20R Receptacle Cover	1
16	35614-000017	20A 5-20R Receptacle (125V)	1
17	90305-000001	Nut M4	6
18	35680-000024	Control Panel Housing	1
19	35610-000150	Control Panel Assembly	1
20	90305-000002	Hexagon Flange Nut M4	6
21	90727-000003	Band	1
22	35660-000045	Control Panel Wire Harness	1

FRAME ASSEMBLY PARTS DIAGRAM

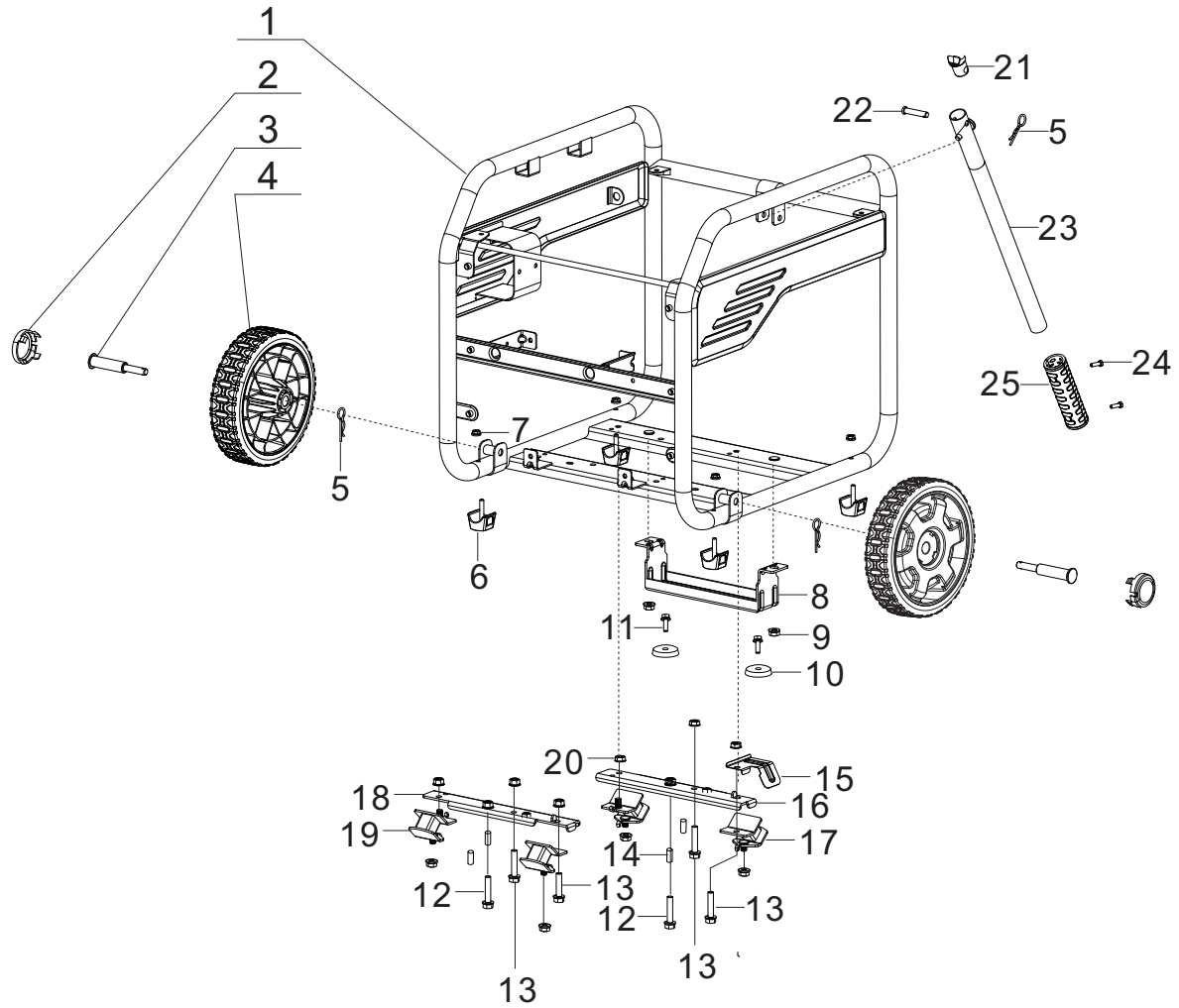


Figure H

FRAME ASSEMBLY PARTS LIST

#	Part Number	Description	Qty.
1	51100-000053	Frame Assembly	1
2	44001-000003	Hub Decorated Cover	2
3	44020-000009	Roll Pin	2
4	44110-000002	8in. Wheel (Yellow)	2
5	90583-000001	R Pin	3
6	51014-000016	Frame Vibration Mount	4
7	90305-000008	Hexagon Flange Nut M6	4
8	51016-000006	Support Leg	1
9	90305-000011	Hexagon Flange Nut M8	2
10	51014-000015	Support Leg Vibration Mount	2
11	90001-000019	Hexagon Flange Bolt M6 x 12	2
12	90001-000051	Hexagon Flange Bolt M8 x 40	2
13	90001-000050	Hexagon Flange Bolt M8 x 40	4
14	90683-000007	Bushing	4
15	24329-000010	Block	1
16	51002-000017	Engine base plate 2	1
17	51011-000003	Frame Vibration Mount (Right)	2
18	51002-000018	Engine base plate 2	1
19	51009-000001	Frame Vibration Mount (Left)	2
20	90305-000010	Hexagon Flange Nut M8	10
21	90722-000012	End Plug 1	1
22	90504-000003	Pin Shaft	1
23	54110-000003	Handle Ø25 x 1.2	1
24	90103-000007	Cross Recess Pan Head Screw M4 x 16	2
25	54101-000001	Handle Rubber Sleeve	1

WIRING DIAGRAM

