



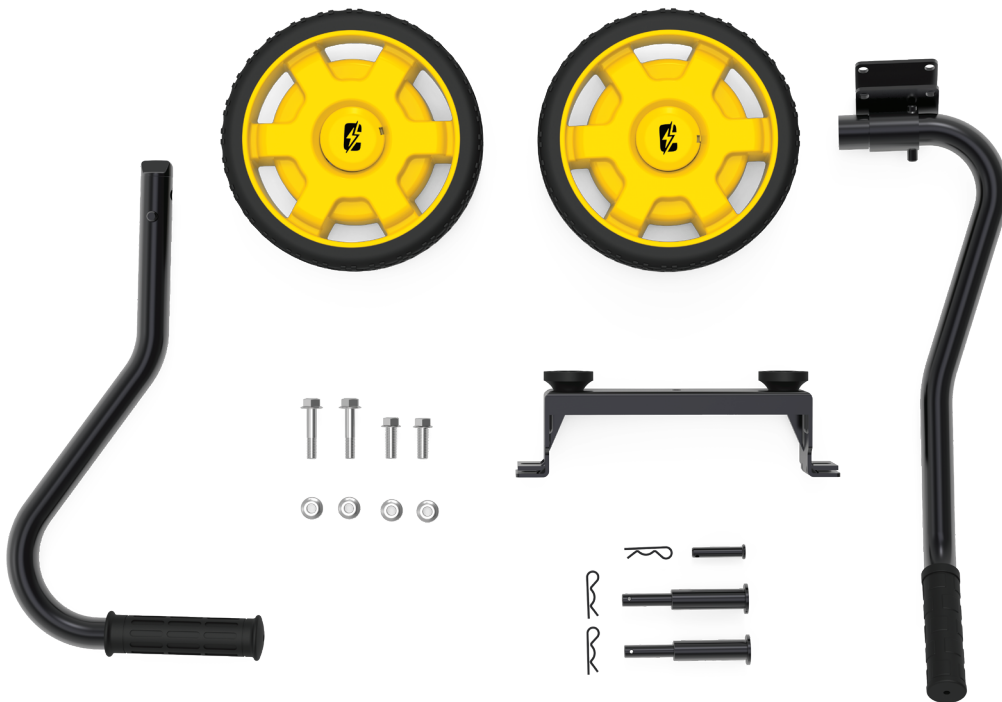
INSTALLATION MANUAL

MODEL #40065
WHEEL KIT



REGISTER YOUR PRODUCT ONLINE

at championpowerequipment.com



REV 20230908



1-877-338-0999

or visit championpowerequipment.com

Champion Power Equipment, Inc.

INTRODUCTION

Congratulations on your purchase of a Champion Power Equipment (CPE) product. CPE designs, builds, and supports all of our products to strict specifications and guidelines. With proper product knowledge, safe use, and regular maintenance, this product should bring years of satisfying service.

Every effort has been made to ensure the accuracy and completeness of the information in this manual at the time of publication, and we reserve the right to change, alter and/or improve the product and this document at any time without prior notice.

CPE highly values how our products are designed, manufactured, operated, and serviced as well as providing safety to the operator and those around the generator. Therefore, it is IMPORTANT to review this product manual and other product materials thoroughly and be fully aware and knowledgeable of the assembly, operation, dangers and maintenance of the product before use. Fully familiarize yourself, and make sure others who plan on operating the product fully familiarize themselves too, with the proper safety and operation procedures before each use. Please always exercise common sense and always err on the side of caution when operating the product to ensure no accident, property damage, or injury occurs. We want you to continue to use and be satisfied with your CPE product for years to come.

When contacting CPE about parts and/or service, you will need to supply the complete model and serial numbers of your product. Transcribe the information found on your product's nameplate label to the table below

CPE TECHNICAL SUPPORT TEAM
1-877-338-0999
MODEL NUMBER
40065
SERIAL NUMBER
DATE OF PURCHASE
PURCHASE LOCATION

SAFETY DEFINITIONS

The purpose of safety symbols is to attract your attention to possible dangers. The safety symbols, and their explanations, deserve your careful attention and understanding. The safety warnings do not by themselves eliminate any danger. The instructions or warnings they give are not substitutes for proper accident prevention measures.

DANGER

DANGER indicates a hazardous situation which, if not avoided, will result in death or serious injury.

WARNING

WARNING indicates a hazardous situation which, if not avoided, could result in death or serious injury.

CAUTION

CAUTION indicates a hazardous situation which, if not avoided, could result in minor or moderate injury.

NOTICE

NOTICE indicates information considered important, but not hazard-related (e.g., messages relating to property damage).

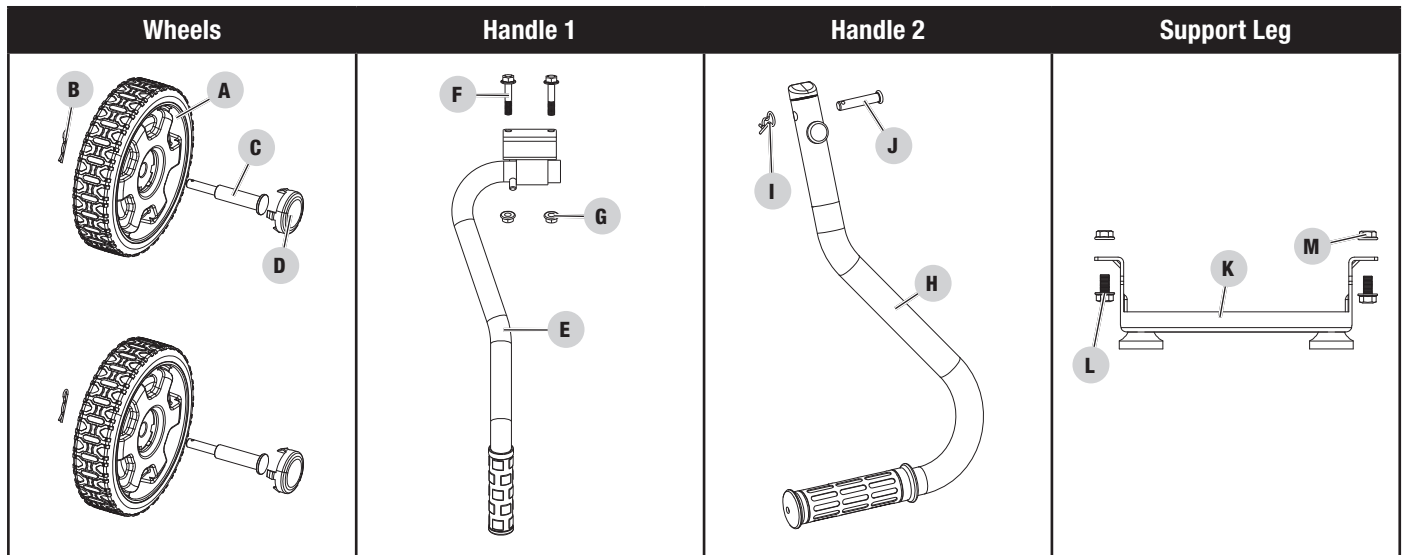
IMPORTANT SAFETY INSTRUCTIONS

⚠ CAUTION

The wheel kit is not intended for over-the-road use.

CONTROLS AND FEATURES

Parts Included



Part	Part Qty.	Hardware	Hardware Qty.	Tool(s) Needed
A. Wheels	2	B. Pin $\varnothing 2 \times 33$, "R" Shape	2	
		C. Roll Pin, Wheel, $\varnothing 16 \times \varnothing 10 \times 97$	2	
		D. Wheel Cap	2	
E. Handle 1	1	F. Flange Bolt M8 x 45	2	1x 12mm wrench
		G. Lock Nut M8 Flange	2	1x 12mm wrench
H. Handle 2	1	I. Pin $\varnothing 2 \times 33$, "R" Shape	1	
		J. Roll Pin $\varnothing 8 \times 40$	1	
K. Support Leg	1	L. Flange Bolt M8 x 16	2	1x 12mm wrench
		M. Lock Nut M8 Flange	2	1x 12mm wrench

Tools Not Included

- 12mm wrench

ASSEMBLY

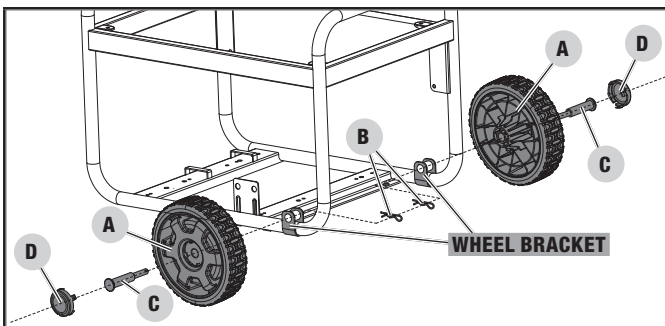
Your wheel kit requires assembly. For questions regarding the assembly of your wheel kit, call our help line at 1-877-338-0999. Please have your model number available.

Remove the Wheel Kit and Parts from the Shipping Carton

1. Set the shipping carton on a solid, flat surface.
2. Remove all contents from the carton.

Install Wheels

1. Drain oil and fuel, and then tip the generator slowly so that the engine (or panel depending on the exact model) side is up. This is so you have access to the wheel brackets.
2. Remove the wheel cap (D) from wheel (A) by inserting a small screwdriver into the slot on the cap and pry upward. Remove the cap.
3. Slide the roll pin (C) through the wheel (A) from the outside.
4. Slide the roll pin through the wheel bracket on the frame.
5. Insert R-clip (B) into hole at end of roll pin.
6. Install wheel cap on wheel.
7. Repeat on the second wheel.



Install the Support Leg

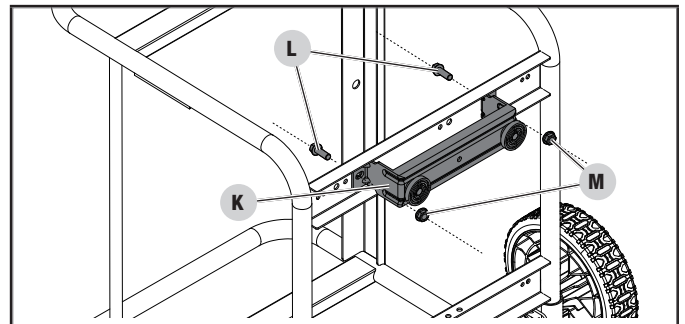
NOTICE

Some generator models will require removing rubber pads prior to installing the support leg. The support leg will use the same holes as the rubber pads.

NOTICE

Some generators will have the nut or bolt welded to the frame. In this case, secure the support leg to generator frame with the necessary hardware and recycle the unused hardware according to your local municipalities instructions.

1. Attach the support leg (K) to the generator frame by sliding the flange bolts M8 x 16 (L) DOWN through the top of the frame and support leg and securing with flange lock nuts (M) from the bottom as shown in picture below. DO NOT over tighten the lock nuts. DO NOT slide flange bolts UP through the bottom of frame.



2. Tip the generator slowly so that it rests on the wheels and support leg.

Install the Handle

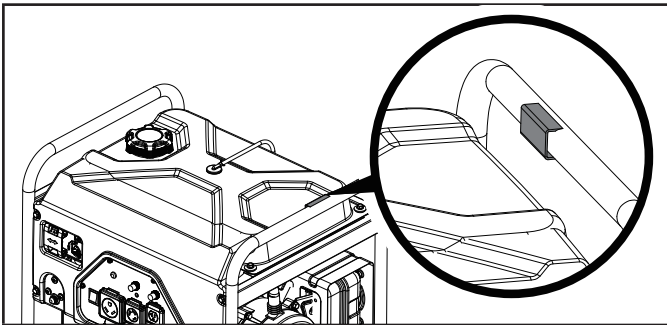
Please check your generator's handle bracket to determine which handle type you need. Use the enclosed hardware for assembly. You will only need one or the other handle for your generator.

NOTICE

Please recycle the unused handle according to your local municipalities instructions.

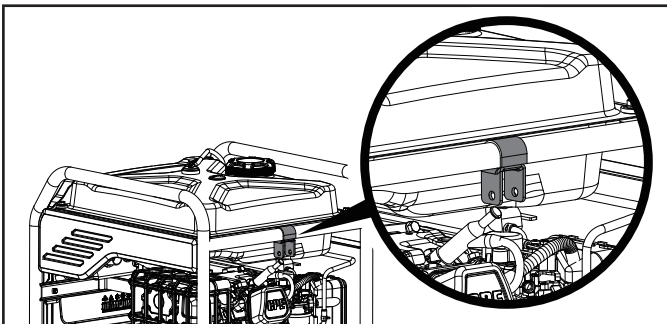
Handle 1

This handle will bolt to your generator frame. See instructions below.



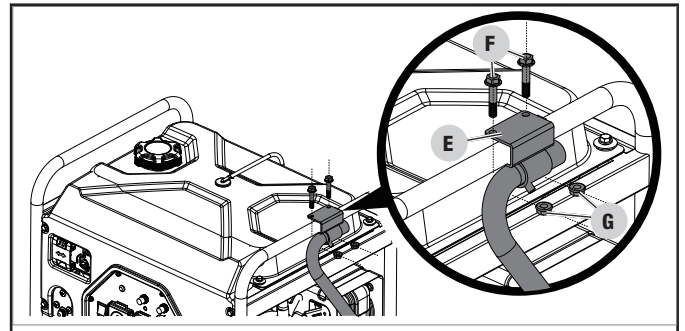
Handle 2

This handle uses an R clip and a roll pin to assemble to your generator frame. See instructions below.



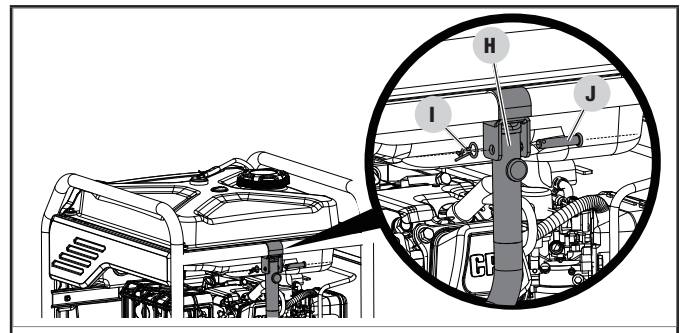
Install the Handle 1

1. Place the handle (E) over the mounting channel on the frame.
2. Secure the handle to the frame using the two Flange Bolts M8 x 45 (F).
3. Place a flange lock nut (G) on the end of each bolt and fasten securely. DO NOT over tighten the lock nuts.



Install the Handle 2

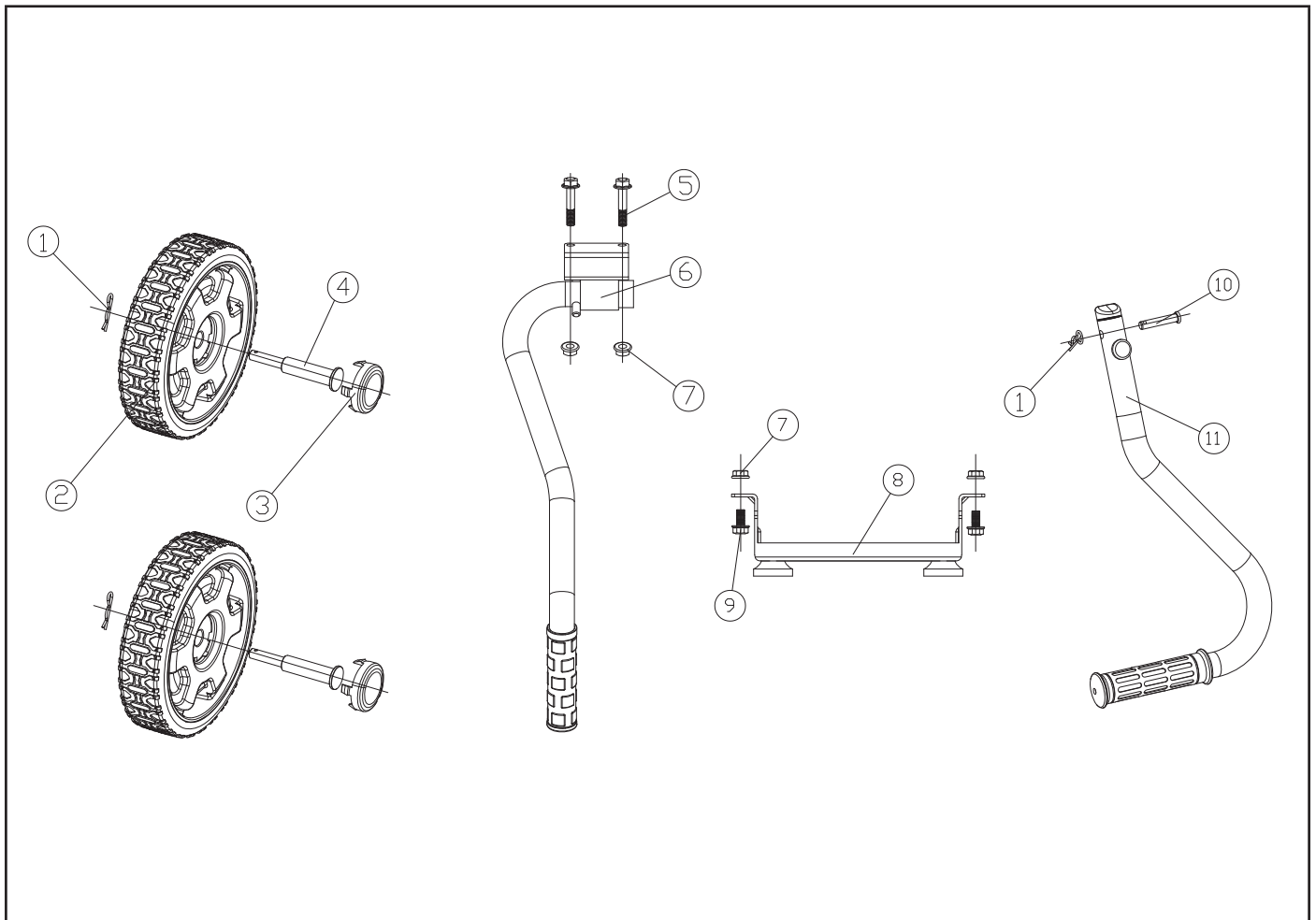
1. Place the handle (H) inside the handle mounting bracket with rubber grip pointing away from the muffler and line up the through holes of the handle and bracket.
2. Secure the handle to the frame by sliding the Roll Pin $\varnothing 8 \times 40$ (J) and locking into place by pushing the R-clip (I) through Roll Pin hole.



CAUTION

DO NOT attempt to crank or start the engine before it has been properly filled with the recommended type and amount of oil. Damage to the generator as a result of failing to follow these instructions will void your warranty.

PARTS DIAGRAM



#	Part Number	Description	Qty.
1	100023415-0001	Pin Ø2 x 33, "R" Shape	3
2	100714023-0001	Wheel, Yellow	2
3	100712243-0001	Wheel, Cover, Yellow	2
4	122.201501.23	Roll Pin, Wheel, Ø16 x Ø10 x 97	2
5	1.5789.0845	Flange Bolt M8 x 45	2
6	122.200700.01	Handle Assembly	1
7	1.6177.1.08	Lock Nut M8 Flange	4
8	100020978-0001	Support Leg Assembly	1
9	1.5789.0816	Flange Bolt M8 x 16	2
10	100011047-0003	Roll Pin Ø8 x 40	1
11	100718155-0001	Handle Assembly	1

WARRANTY*

CHAMPION POWER EQUIPMENT
1 YEAR LIMITED WARRANTY

Warranty Qualifications

To register your product for warranty and FREE lifetime call center technical support please visit:

<https://www.championpowerequipment.com/register>

To complete registration you will need to include a copy of the purchase receipt as proof of original purchase. Proof of purchase is required for warranty service. Please register within ten (10) days from date of purchase.

Repair/Replacement Warranty

CPE warrants to the original purchaser that the mechanical and electrical components will be free of defects in material and workmanship for a period of one year (parts and labor) from the original date of purchase and 90 days (parts and labor) for commercial and industrial use. Transportation charges on product submitted for repair or replacement under this warranty are the sole responsibility of the purchaser. This warranty only applies to the original purchaser and is not transferable.

Do Not Return The Unit To The Place Of Purchase

Contact CPE's Technical Service and CPE will troubleshoot any issue via phone or e-mail. If the problem is not corrected by this method, CPE will, at its option, authorize evaluation, repair or replacement of the defective part or component at a CPE Service Center. CPE will provide you with a case number for warranty service. Please keep it for future reference. Repairs or replacements without prior authorization, or at an unauthorized repair facility, will not be covered by this warranty.

Warranty Exclusions

This warranty does not cover the following repairs and equipment:

Normal Wear

Products with mechanical and electrical components need periodic parts and service to perform well. This warranty does not cover repair when normal use has exhausted the life of a part or the equipment as a whole.

Installation, Use and Maintenance

This warranty will not apply to parts and/or labor if the product is deemed to have been misused, neglected, involved in an accident, abused, loaded beyond the product's limits, modified, installed improperly or connected incorrectly to any electrical component. Normal maintenance is not covered by this warranty and is not required to be performed at a facility or by a person authorized by CPE.

Other Exclusions

This warranty excludes:

- Cosmetic defects such as paint, decals, etc.
- Wear items such as filter elements, o-rings, etc.
- Accessory parts such as starting batteries, and storage covers.
- Failures due to acts of God and other force majeure events beyond the manufacturer's control.
- Problems caused by parts that are not original Champion Power Equipment parts.

Limits of Implied Warranty and Consequential Damage

Champion Power Equipment disclaims any obligation to cover any loss of time, use of this product, freight, or any incidental or consequential claim by anyone from using this product. THIS WARRANTY IS IN LIEU OF ALL OTHER WARRANTIES, EXPRESS OR IMPLIED, INCLUDING WARRANTIES OF MERCHANTABILITY OR FITNESS FOR A PARTICULAR PURPOSE.

A unit provided as an exchange will be subject to the warranty of the original unit. The length of the warranty governing the exchanged unit will remain calculated by reference to the purchase date of the original unit.

This warranty gives you certain legal rights which may change from state to state or province to province. Your state or province may also have other rights you may be entitled to that are not listed within this warranty.

Contact Information

Address

Champion Power Equipment, Inc.
6370 S Pioneer Way, Unit 101
Las Vegas, NV 89113 USA
www.championpowerequipment.com

Customer Service

Toll Free: 1-877-338-0999
info@championpowerequipment.com
Fax no.: 1-562-236-9429

Technical Service

Toll Free: 1-877-338-0999
tech@championpowerequipment.com
24/7 Tech Support: 1-562-204-1188