



Champion Power Equipment, Inc.

MODEL #201271



PARTS INFORMATION

2400W DUAL FUEL INVERTER GENERATOR

SERIAL NUMBER RANGE: ALL



To order replacement parts please visit:
shop.championpowerequipment.com
or call **1-877-338-0999**.

TABLE OF CONTENTS

Inverter Generator Parts Diagram	3
Inverter Generator Parts List	4
Engine Parts Diagram	6
Engine Parts List	7
Cylinder Head Parts Diagram	9
Cylinder Head Parts List	10
Carburetor Parts Diagram	11
Carburetor Parts List	12
Base Parts Diagram	13
Base Parts List	14
Fuel Tank Parts Diagram	15
Fuel Tank Parts List	16
Control Panel Parts Diagram	17
Control Panel Parts List	18
Wiring Diagram	19

INVERTER GENERATOR PARTS DIAGRAM

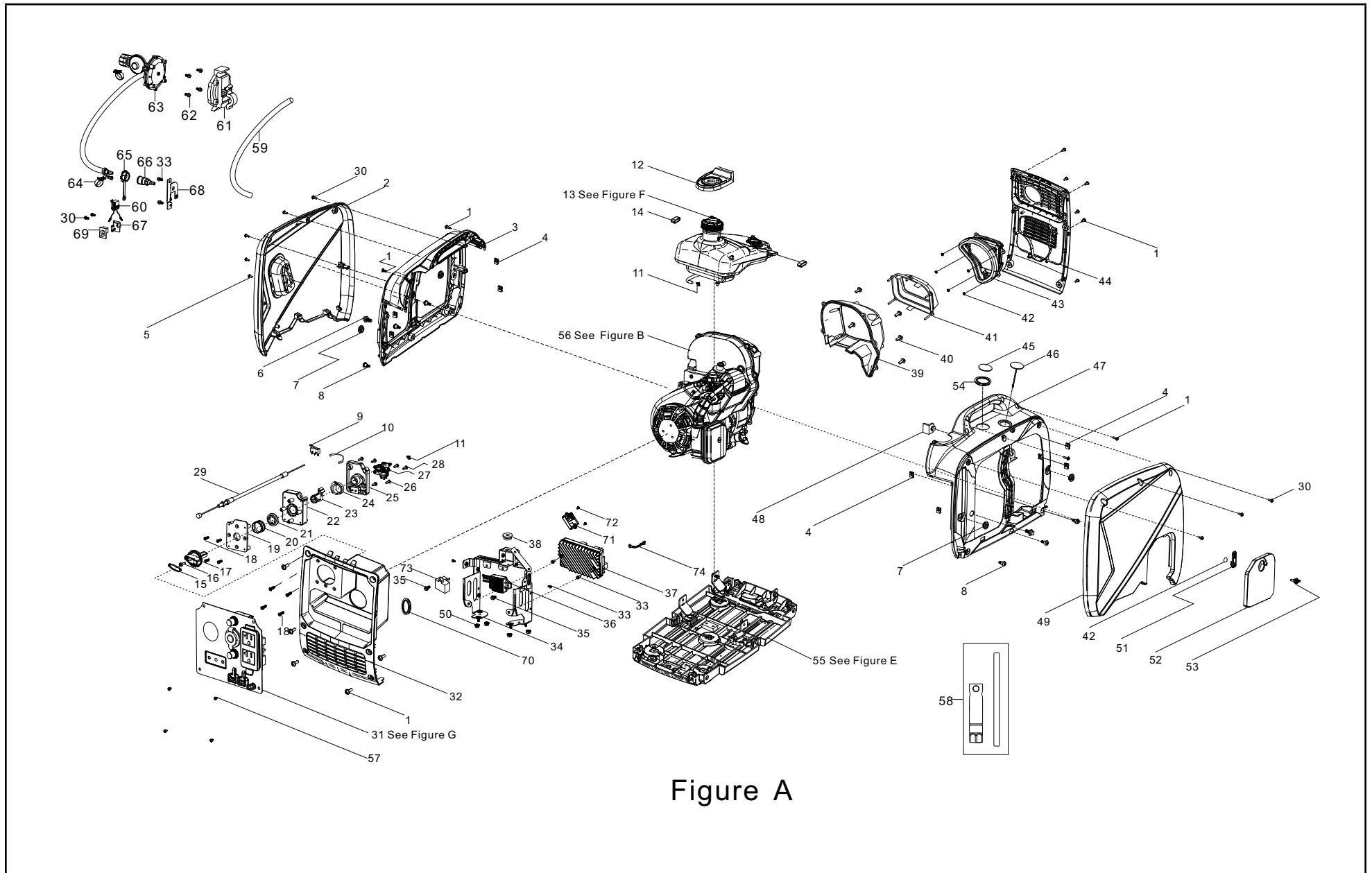


Figure A

INVERTER GENERATOR PARTS LIST

#	Part Number	Description	Qty.
1	90255-000004	Screw & Washer Assembly M5 x 16	16
2	80092-000016	Left Cover Board	1
3	80091-000008	Left Shell	1
4	17199-000001	Clip Nut M5	8
5	90103-000010	Cross Recess Pan Head Screw M5 x 8	2
6	90007-000007	Hexagon Flange Bolt M6 x 12	2
7	16601-000005	Fuel Tank Vibration Mount 2	4
8	90208-000001	Hexagonal Step Bolt	6
9	35190-000001	Microswitch	1
10	35191-000004	Microswitch Wiring Harness	1
11	90685-000013	Clamp Ø8.5 x 8 x 0.6 (Army Green)	2
12	16641-000004	Filling Fuel Hole Rubber Sleeve	1
13	96104-Y16620-0005	Fuel tank Assembly	1
14	90683-000004	Bushing	2
15	35674-000001	Knob Gap	1
16	90103-000006	Cross Recess Pan Head Screw M4 x 16	1
17	35643-000007	Engine Selector Dial	1
18	90129-000002	Cross Recess Countersunk Head Tapping Screw	8
19	16265-000002	Support Plate 2	1
20	28224-000001	Compression Spring	1
21	16265-000001	Support Plate 1	1
22	35021-000002	Control Enclosure	1
23	16144-000001	Choke Pull 2 Stop block	1
24	16144-000002	Choke Pull 1 Stop block	1
25	50132-000001	Switch Bracket	1
26	90107-000002	Self Tapping Screw	4
27	16750-000010	Fuel Switch	1
28	90255-000001	Screw & Washer Assembly M4x10	2
29	16080-000009	Choke Handle Subassembly	1

#	Part Number	Description	Qty.
30	90255-000003	Screw & Washer Assembly M5x12	8
31	35610-000149	Control Panel Assembly - See Figure G	1
32	35680-000023	Panel Seat	1
33	90001-000018	Hexagon Flange Bolt M6 x 12	6
34	30081-000015	Inverter Bracket	1
35	90001-000022	Hexagon Flange Bolt M6 x 16	2
36	30060-000020	Rectifier	1
37	30043-000029	Inverter	1
38	16601-000004	Fuel Tank Vibration Mount	1
39	18109-000004	Muffler Cover	1
40	90107-000004	Self Tapping Screw ST4.8 x 16	5
41	18002-000008	Muffler Louver	1
42	37073-000001	Spring Clip	6
43	53202-000002	Connector Rubber Sleeve	1
44	18002-000009	Muffler Louver	1
45	37205-000001	Fuel Gauge Fuel Lever View	1
46	30431-000004	Rubber Sleeve	1
47	80095-000009	Right Shell	1
48	50033-000001	Cushion Rubber	1
49	80096-000016	Right Cover Board	1
50	90305-000007	Hexagon Flange Nut M6	4
51	24329-000002	Block 2	1
52	51197-000006	Service Side Access Panel	1
53	80105-000001	Access Panel Knobs	1
54	30431-000005	Rubber Sleeve	1
55	96103-Y51100-0006	Mounting Plate Assembly Engine - See Figure E	1
56	96100-80MN0000-01	Engine	1
57	90124-000002	Self Tapping Screw PT4 x 13	5
58	93130-000002	Spark Plug Socket	1

#	Part Number	Description	Qty.
59	90729-000004	Hose, Ø10 x Ø17 x 310	1
60	35191-000003	Microswitch Wiring Harness	1
61	51136-000001	Regulator Mounting Plate	1
62	90001-000019	Hexagon Flange Bolt M6 x 12	4
63	77100-000001	Gas Regulator	1
64	90748-000002	Clamp	2
65	90722-000010	End Plug 1	1
66	16021-000001	Inlet Connection	1
67	35192-000001	Microswitch Support	1
68	51124-000008	Mounting Bracket	1
69	35192-000002	Microswitch Support	1
70	30431-000015	Rubber Sleeve Ø38 x Ø51 x 9	1
71	35720-000002	CO Alarm	1
72	90103-000013	Screw M5 x 16	2
73	30008-000005	Control Module	1
74	30009-000006	Grounding Wire	1

ENGINE PARTS DIAGRAM

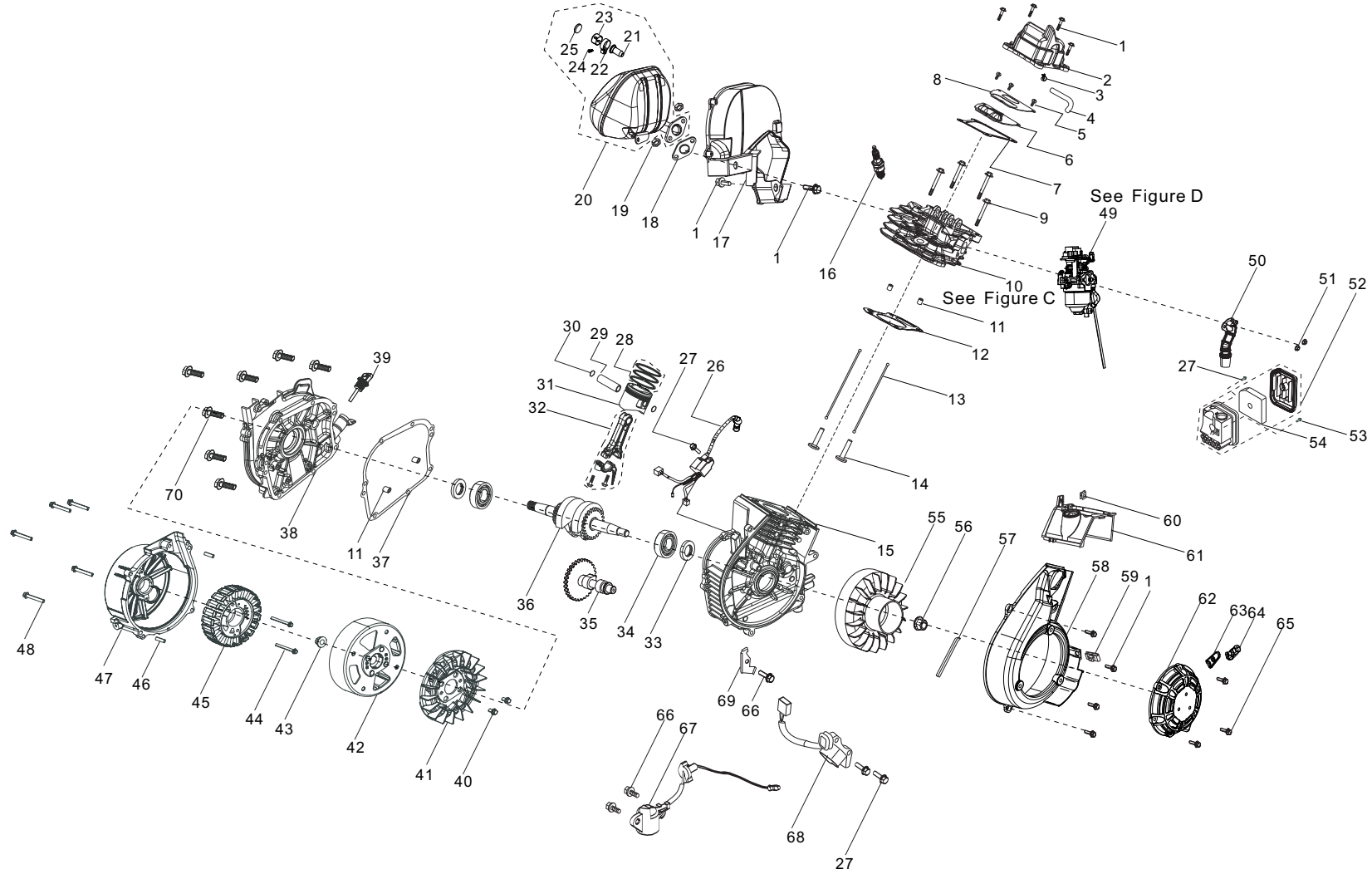


Figure B

ENGINE PARTS LIST

#	Part Number	Description	Qty.
1	90007-000011	Hexagon Flange Bolt M6 x 16	10
2	12410-000016	Cylinder Head Cover Subassembly	1
3	90685-000008	Clamp Ø10.5	1
4	17004-000023	Breather Tube	1
5	90103-000001	Cross Recess Pan Head Screw M3x8	3
6	11320-000005	Breath Piece Assembly	1
7	12004-000015	Cylinder Head Cover Gasket	1
8	11332-000004	Breath Groove Cover Gasket	1
9	12003-000008	Cylinder Head Bolt M6 x 50	4
10	96101-Z120410-0007	Cylinder Head - See Figure C	1
11	90502-000002	Pin Ø8 x 12	4
12	12131-000014	Cylinder Head Gasket	1
13	14070-000005	Valve Lifter	2
14	14081-000006	Valve Tappet	2
15	11310-000022	Crankcase Subassembly	1
16	30010-000005	Spark Plug A5RTC	1
17	18013-000006	Muffler cover	1
18	18001-000009	Exhaust Outlet Gasket	1
19	90303-000002	Hexagon Nut M6	2
20	18100-000039	Muffler Assembly	1
21	18250-000012	Spark Arrestor	1
22	90740-000010	Clamp Ø26	1
23	18213-000001	Spark Arrestor Cover Plate	1
24	18012-000002	Spark Arrestor Bolt M5 x 25	1
25	18218-000002	Muffling Block	1
26	30700-000007	Ignition Coil	1
27	90007-000013	Hexagon Flange Bolt M6 x 20	4
28	13200-000012	Piston Ring Assembly	1
29	13121-000010	Piston Pin Ø11 x Ø37	1
30	13122-000007	Piston Pin Clip	2

#	Part Number	Description	Qty.
31	13111-000015	Piston	1
32	13010-000011	Connecting Rod	1
33	90682-000015	Oil Seal Ø20 x Ø35 x 5	2
34	90547-000004	Bearing 6204	2
35	14200-000018	Camshaft Assembly	1
36	13300-000024	Crankshaft Assembly	1
37	11001-000011	Crankcase Gasket	1
38	11411-000022	Crankcase Cover	1
39	15010-000024	Oil Dipstick Subassembly	1
40	90001-000016	Hexagon Flange Bolt M6 x 10	2
41	19352-000002	Engine Cooling Fan	1
42	30110-000001	Rotor Component	1
43	90306-000004	Hexagon Flange Nut M12	1
44	90001-000011	Hexagon Flange Bolt M5 x 35	2
45	30120-000023	Stator Component Ø120 x 21	1
46	90502-000003	Pin Ø8 x 14	2
47	30024-000002	Motor Shroud	1
48	90001-000030	Hexagon Flange Bolt M6 x 30	5
49	96105-Z16100-0004	Carburetor-See Figure D	1
50	17110-000001	Innet Pipe Assembly Air Cleaner	1
51	90305-000007	Hexagon Flange Nut, M6	2
52	17100-000028	Air Cleaner	1
53	90007-000006	Hexagon Flange Bolt M5 x 20	1
54	17151-000012	Air Cleaner Element	1
55	13510-000020	Flywheel Subassembly	1
56	13501-000003	Flywheel Nut M12 x 1.25	1
57	19081-000001	Shroud Sealing Strip	1
58	28110-000028	Shroud	1
59	17199-000004	Clip Nut M5	1
60	90804-000003	Stop Block	1

#	Part Number	Description	Qty.
61	12014-000004	Cylinder Head Guide Plate	1
62	28200-000028	Recoil Starter Assembly	1
63	28004-000005	Starter Rope Guide Plate Assembly	1
64	28210-000002	Starter Rope Handle	1
65	90007-000007	Hexagon Flange Bolt 1 M6 x 12	3
66	90007-000007	Hexagon Flange Bolt 2 M6 x 12	3
67	37060-000012	Engine oil Sensor W/O Nut	1
68	30400-000016	Ignition Winding Trigger	1
69	54066-000003	Engine oil Sensor Wiring plate	1
70	90007-000025	Hexagon Flange Bolt 2 M6 x 22	7

CYLINDER HEAD PARTS DIAGRAM

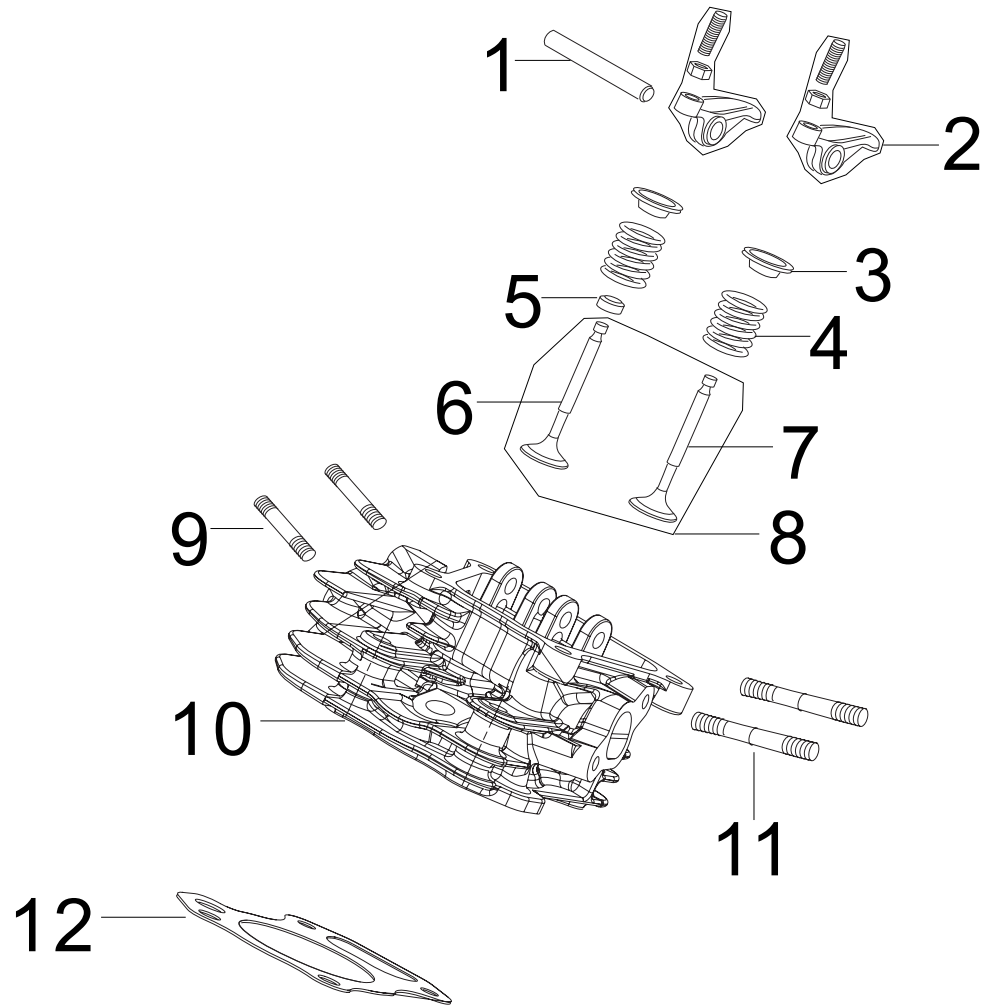


Figure C

CYLINDER HEAD PARTS LIST

#	Part Number	Description	Qty.
1	14330-000001	Rocker Shaft Assembly	1
2	14310-000006	Valve Rocker Subassembly	2
3	12112-000007	Valve Spring Retainer	2
4	12103-000007	Valve Spring	2
5	12101-000004	Seal Guide	1
6	12111-000013	Inlet Valve	1
7	12121-000012	Exhaust Valve	1
8	12110-000012	Valve Set	1
9	90204-000017	Stud M6 x 25.5	2
10	12140-000018	Cylinder Head Subassembly	1
11	90204-000016	Stud, M6 x 88	2
12	12131-000014	Cylinder Head Gasket	1

CARBURETOR PARTS DIAGRAM

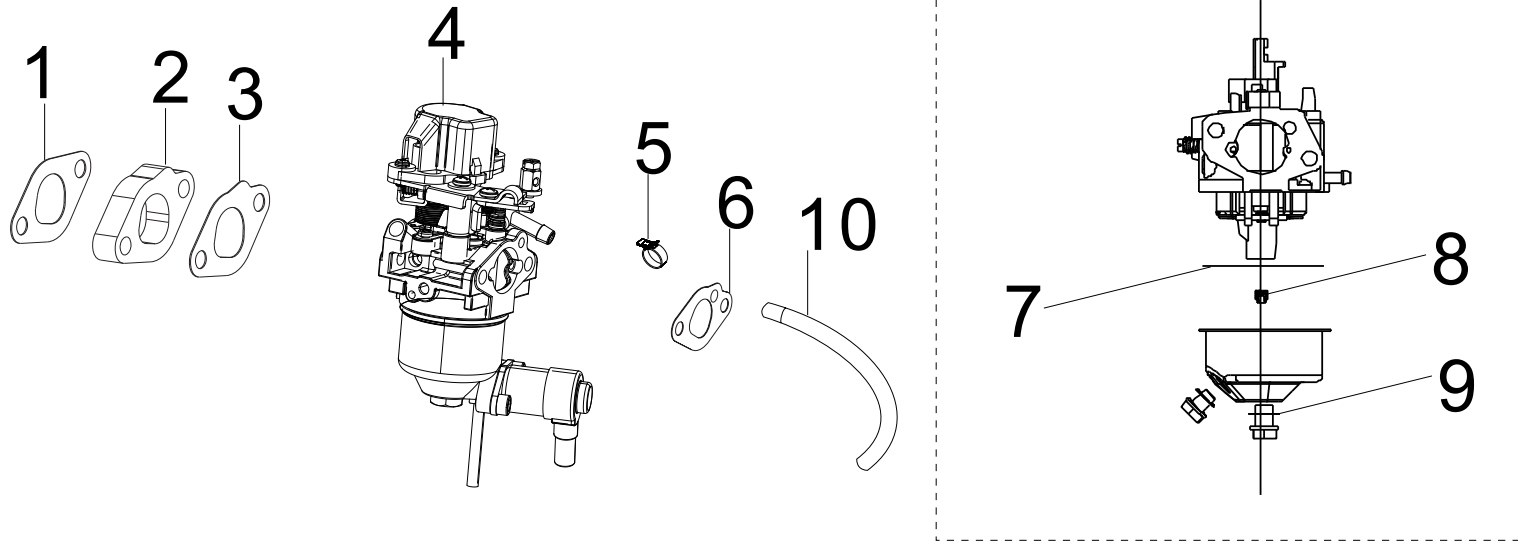


Figure D

CARBURETOR PARTS LIST

#	Part Number	Description	Qty.
1	16002-000004	Carburetor Insulator Gasket	1
2	16003-000014	Carburetor Insulator Plate	1
3	16001-000006	Carburetor Gasket	1
4	16100-000035	Carburetor Assembly	1
5	90685-000007	Clamp Ø9.5 x 0.8 x 8	1
6	17001-000011	Air Cleaner Gasket	1
7	16112-000008	Float Seal Ring	1
8	16161-000012	Standard Main Jet(61#)	1
	16161-000047	Altitude 3000-6000 Feet Main Jet(59#)	/
	16161-000049	Altitude 6000-8000 Feet Main Jet(57#)	/
9	90681-000012	Seal Ring	1
10	90686-000001	Fuel Tube Ø4.5×Ø8.5×234.5	1

BASE PARTS DIAGRAM

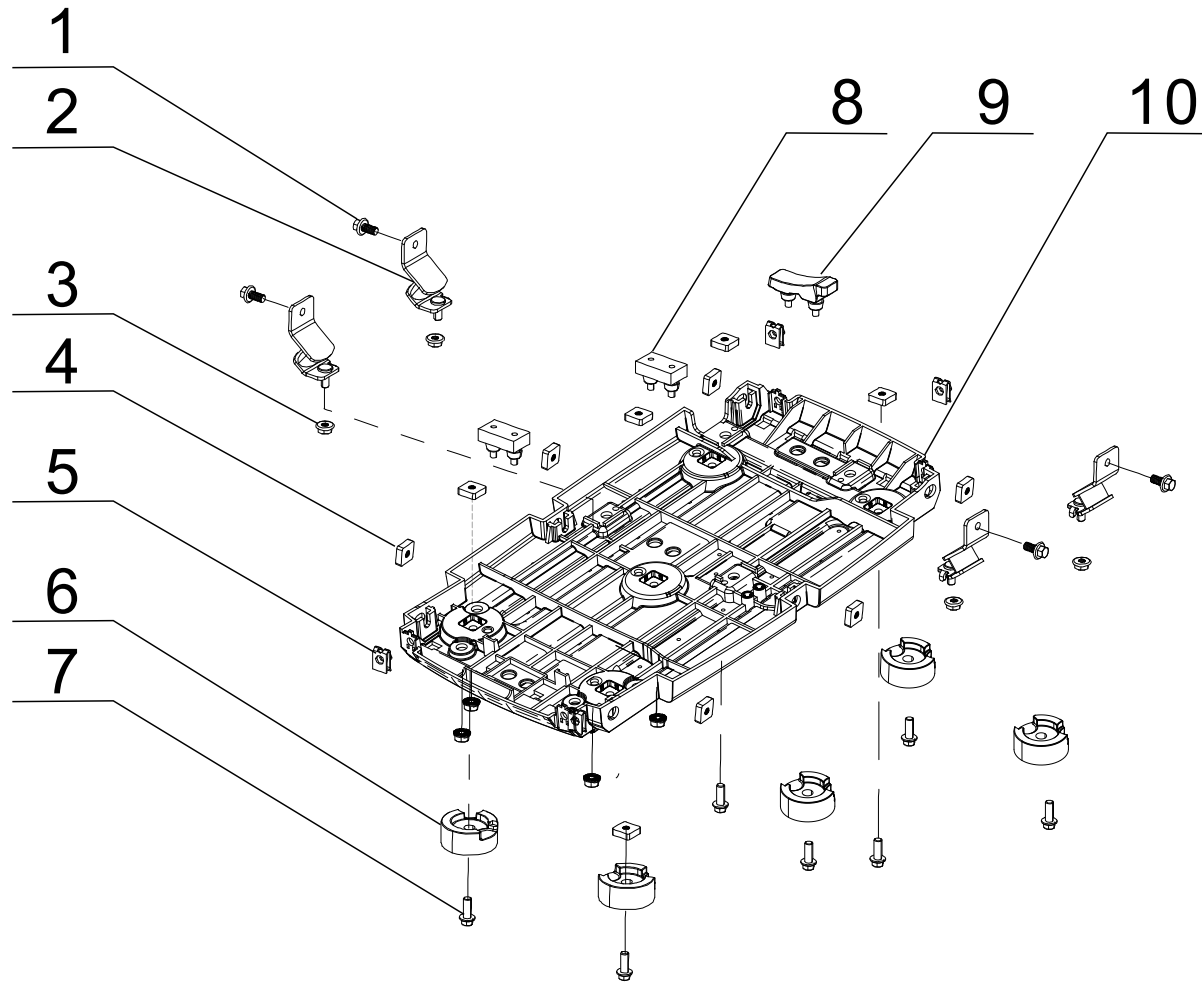


Figure E

BASE PARTS LIST

#	Part Number	Description	Qty.
1	90001-000018	Hexagon Flange Bolt M6 x 12	4
2	51005-000012	Frame Vibration Mount 1	4
3	90305-000007	Hexagon Flange Nut M6	4
4	90326-000001	Square Nut, M6	11
5	17199-000001	Clip Nut M5	4
6	51014-000009	Bottom Plate Rubber Foot	5
7	90001-000020	Hexagon Flange Bolt M6 x 14	5
8	50035-000002	Cushion Rubber Bracket 1	2
9	50035-000001	Cushion Rubber Bracket 2	1
10	51143-000006	Bottom Plate	1

FUEL TANK PARTS DIAGRAM

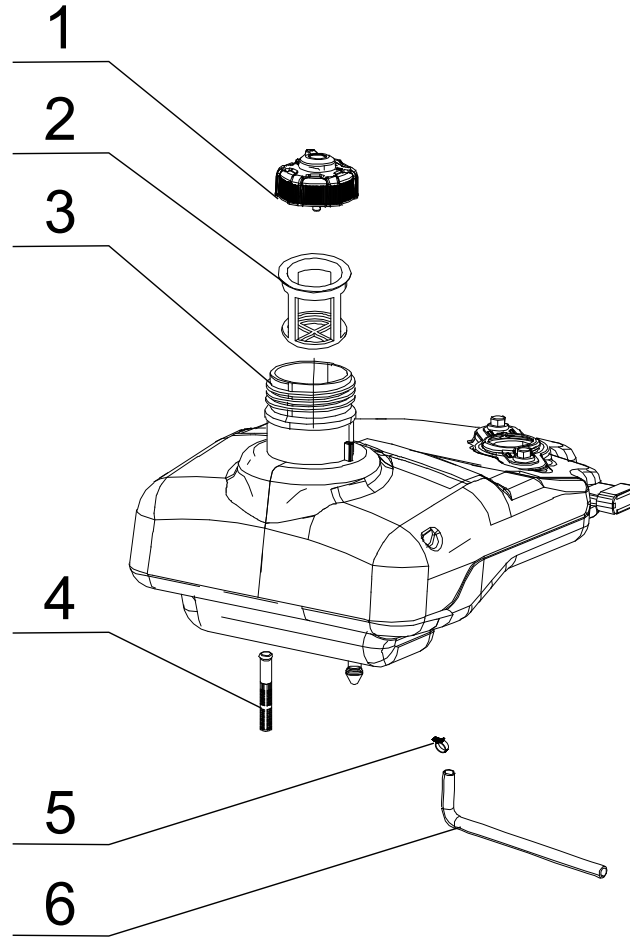


Figure F

FUEL TANK PARTS LIST

#	Part Number	Description	Qty.
1	16730-000012	Fuel Tank Cap	1
2	16652-000002	Fuel Filter	1
3	16620-000003	Fuel Tank	1
4	16514-000001	Fuel Tank Filter Element	1
5	90685-000010	Clamp Ø10.5 x 8 x 0.8	1
6	90686-000052	Fuel Tube Ø4.5 x Ø8.5 x 92	1

CONTROL PANEL PARTS DIAGRAM

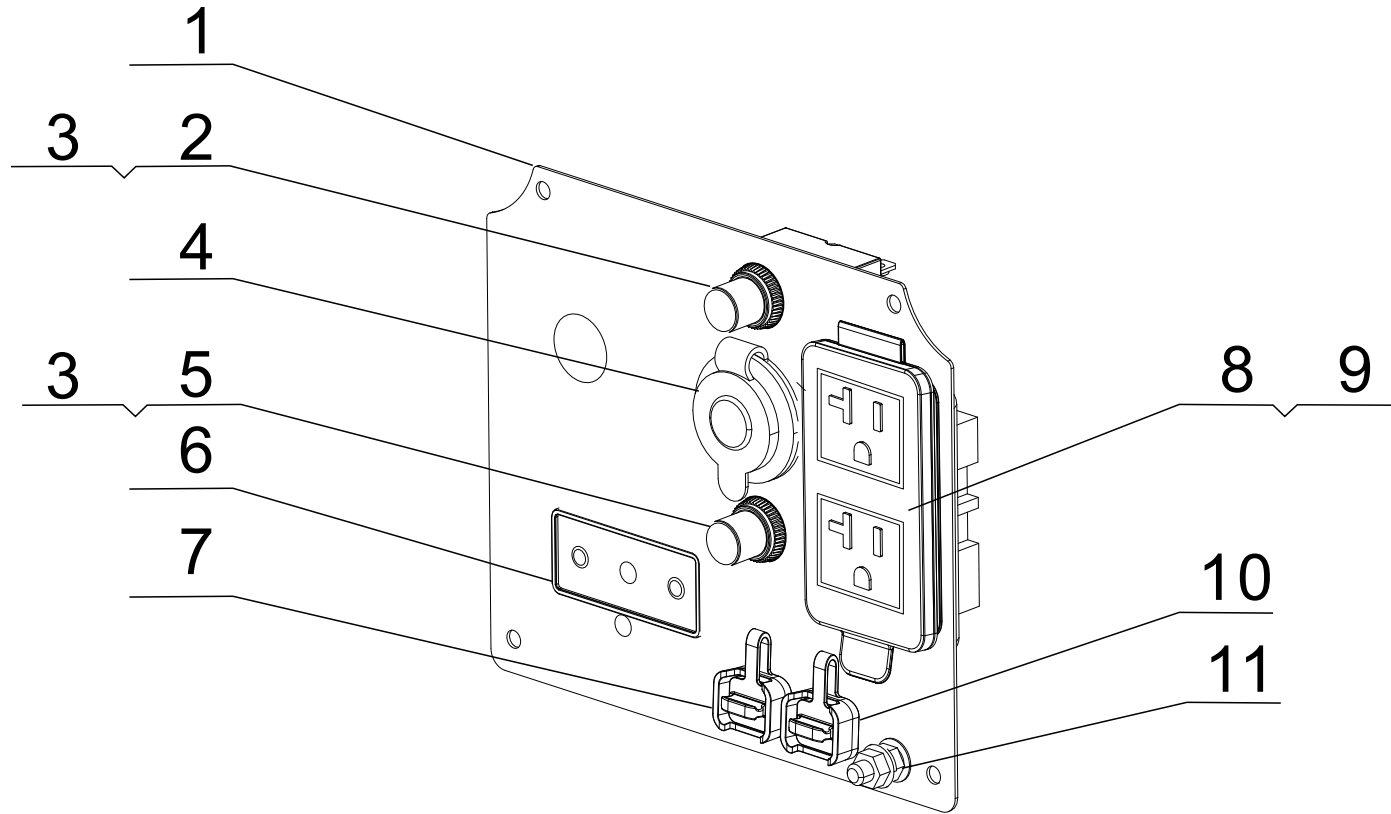


Figure G

CONTROL PANEL PARTS LIST

#	Part Number	Description	Qty.
1	35650-000037	Control Panel	1
2	31234-000002	8Amp Push Botton Circuit Breaker (125/250V)	1
3	35654-000005	Push Button Cover	2
4	35619-000003	Automotive Receptacle (12V DC)	1
5	31234-000004	20Amp Push Button Circuit Breaker (125/250V)	1
6	35620-000003	Status Display Table	1
7	35614-000019	Red Wireless Parallel	1
8	35654-000013	Receptacle Cover (5-20R)	1
9	35614-000017	5-20R Duplex Receptacle 20A (125V)	1
10	35614-000020	Black Wireless Parallel	1
11	35629-000001	Grounding Terminal	1
12	35660-000044	Control Panel Wire harness	1

WIRING DIAGRAM

