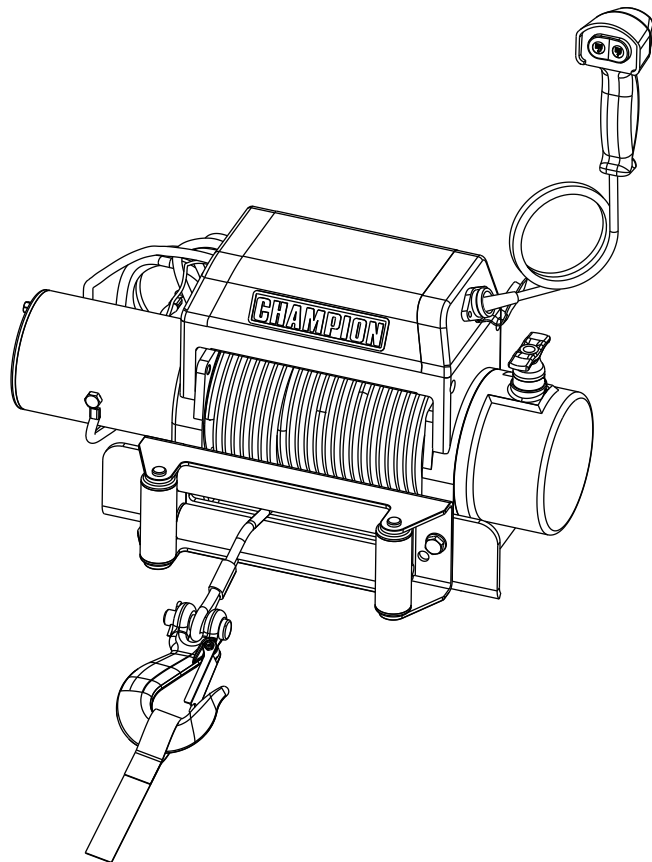




Champion Power Equipment, Inc.

MODEL #11008



PARTS INFORMATION

10,000 LB. WINCH

SERIAL NUMBER RANGE: ALL

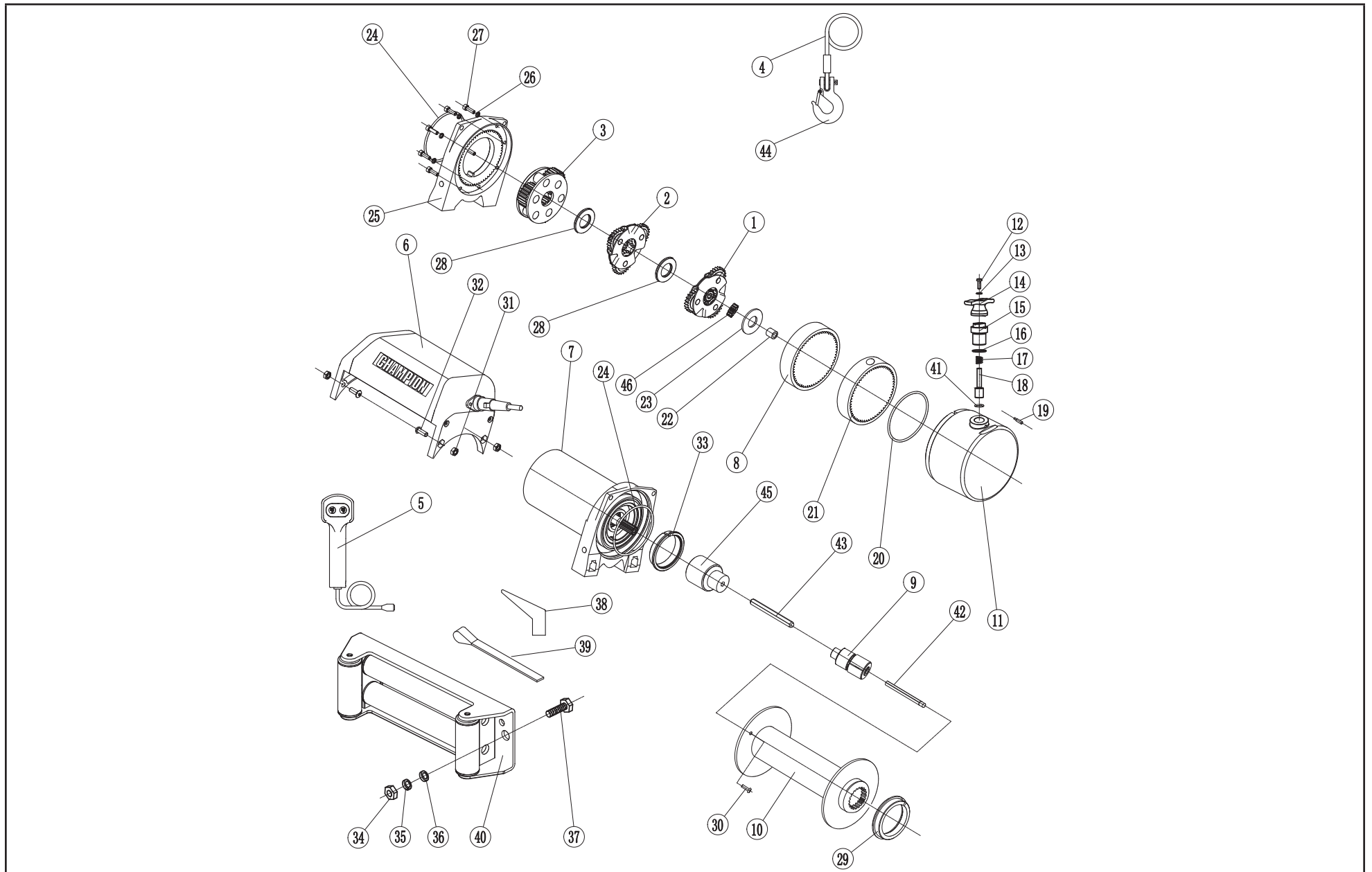


To order replacement parts please visit:
shop.championpowerequipment.com
or call **1-877-338-0999**.

TABLE OF CONTENTS

Winch Parts Diagram	3
Winch Parts List	4
Wiring Diagram	5

WINCH PARTS DIAGRAM



WINCH PARTS LIST

#	Part Number	Description	Qty.
1	P1010100	Gear Carrier Assembly - Input	1
2	P1010200	Gear Carrier Assembly - Intermediate	1
3	P1010300-N	Gear Carrier Assembly - Output	1
4	P1010400	Cable Assembly	1
5	P1011001-B	Switch Assembly - Black	1
6	P1011002-2-BF	Up-setting Solenoid Assembly - Black Flat	1
7	P1011003A-BF	Motor/End Bearing Assembly - Black Flat	1
8	P1011021	Gear Housing A	1
9	P1011400	Brake Assembly	1
10	P1011500-BF	Drum Assembly - Black Flat	1
11	P1011005-N-BF	Gear Housing End Cover - Black Flat	1
12	P1011022	Pan Head Screw M5 x 15	1
13	P1011023	Washer Ø5	1
14	P1011024	Clutch Handle	1
15	P1011025	Clutch Seat	1
16	P1011026	Seal Ring Ø20 x 1.8	1
17	P1011027	Spring	1
18	P1011028	Clutch Pin	1
19	P1011029	Set Screw M4 x 8	1
20	P1011010	Gear Housing End Cover Seal	1
21	P1011030	Gear Housing B	1
22	P1011012	Bushing	1
23	P1011013	Thrust Washer	1
24	P1011014	Motor/End Bearing Seal	2
25	P1011015-N-BF	End Bearing - Black Flat	1
26	P1011016	Lock Washer Ø6	8
27	P1011017	Hexagon Socket Head Screw M6 x 20	8
28	P1011018	Thrust Disc	2
29	P1010008	Bushing -Drum	1

#	Part Number	Description	Qty.
30	P1010012	Cap Screw M6 x 6	1
31	P1010013	Lock Nut M8	4
32	P1010014	Hexagon Socket Head Screw M8 x 25	4
33	P1010015	Motor/Drum Bushing	1
34	810024	Lock Nut M10	6
35	810023	Flat Washer Ø10	6
36	810022	Lock Washer Ø10	6
37	810021	Hexagon Head Bolt M10 x 35	6
38	810025-N	Terminal Protector	3
39	410022	Yellow Strap	1
40	811000-BF	Roller Fairlead - Black Flat	1
41	P1011039	Seal Ø10 x Ø1.8	1
42	P1011034A	Hexagonal Shaft II	1
43	P1011033A	Hexagonal Shaft I	1
44	C10038	3/8 in. Clevis Hook	1
45	810033	Motor Coupling	1
46	P1011037	Sun Gear, Input	1

WIRING DIAGRAM

