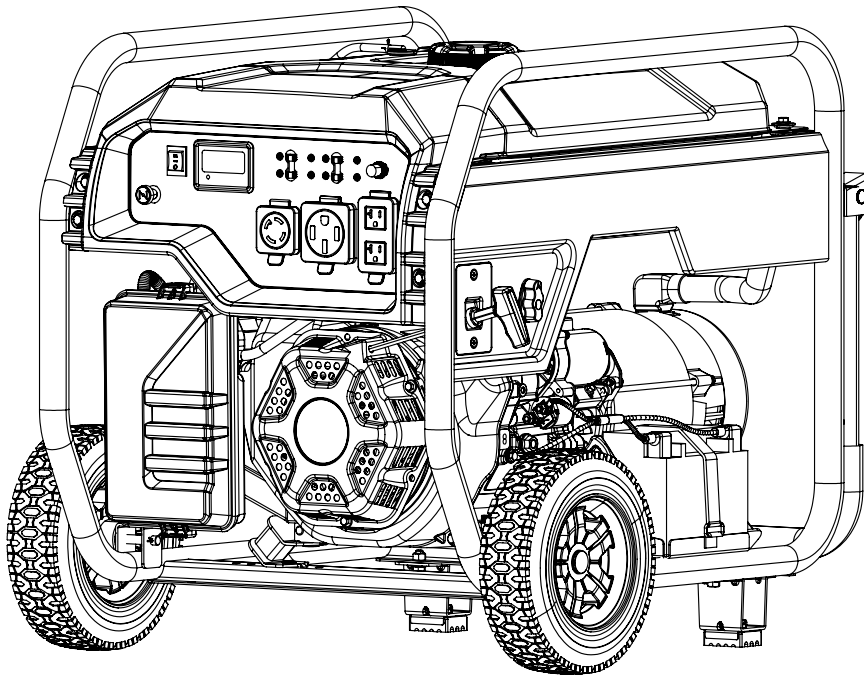




MODEL #BD201306



PARTS INFORMATION

9500W ELECTRIC START GENERATOR

SERIAL NUMBER RANGE: ALL

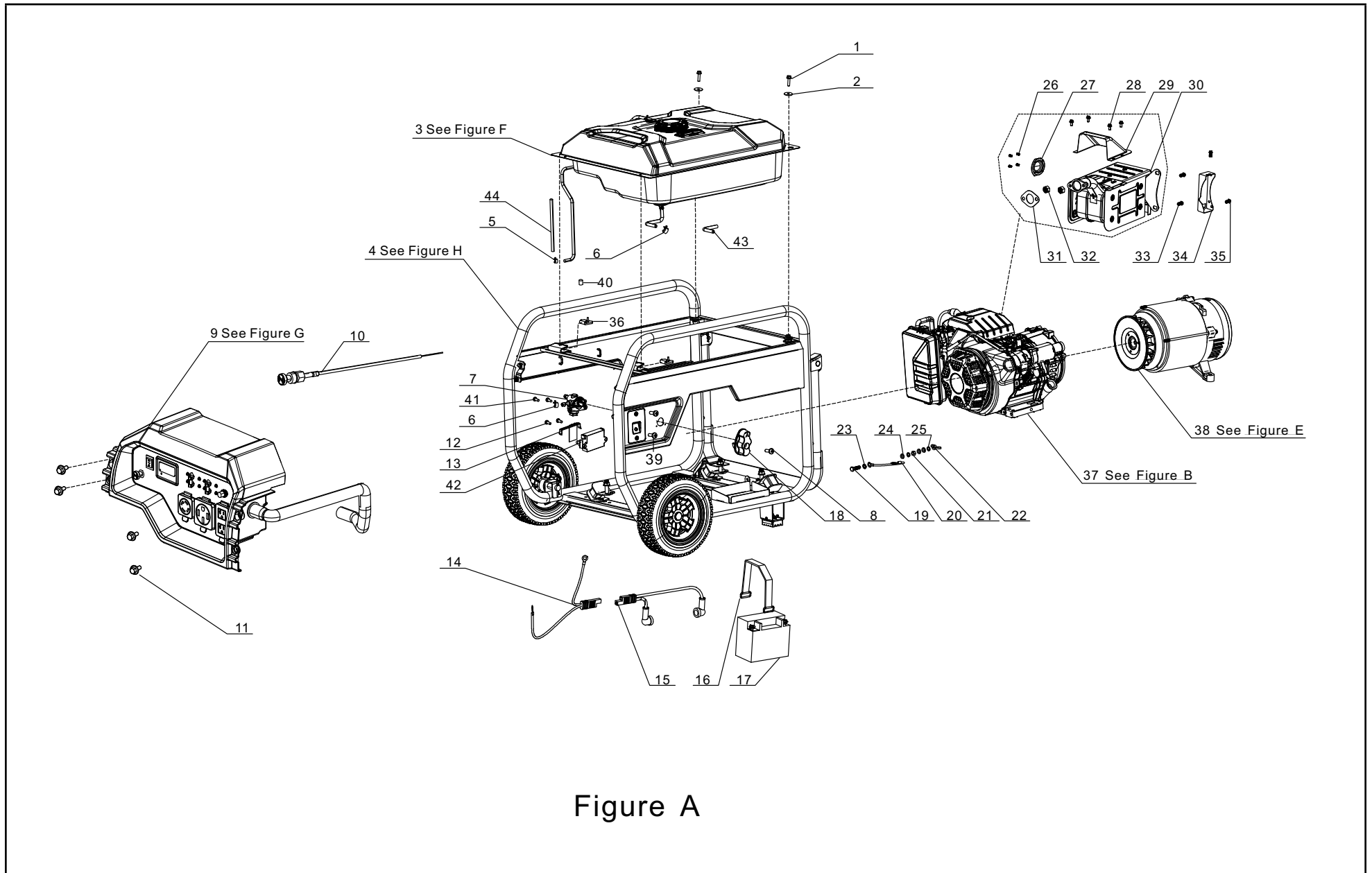


To order replacement parts please call:
1-888-376-7375.

TABLE OF CONTENTS

Generator Parts Diagram	3
Generator Parts List	4
Engine Parts Diagram	5
Engine Parts List	6
Cylinder Head Parts Diagram	8
Cylinder Head Parts List	9
Carburetor Parts Diagram	10
Carburetor Parts List	11
Alternator Parts Diagram	12
Alternator Parts List	13
Fuel Tank Parts Diagram	14
Fuel Tank Parts List	15
Control Panel Parts Diagram	16
Control Panel Parts List	17
Frame Assembly Parts Diagram	18
Frame Assembly Parts List	19
Wiring Diagram	20

GENERATOR PARTS DIAGRAM



GENERATOR PARTS LIST

#	Part Number	Description	Qty.
1	90007-000014	Hexagon Flange Bolt, M6 x 20	2
2	90408-000008	Flat Washer, Ø6	2
3	96003-Y16620-0030	Fuel Tank Assembly - See Figure F	1
4	96103-Y51100-0015	Frame Assembly - See Figure H	1
5	90685-000002	Clamp, Ø9 8 x 0.8 x 8	1
6	90685-000013	Clamp, Ø8.5 x 8 x 0.6	2
7	16750-000014	Fuel Valve Assembly	1
8	90103-000005	Screw, M4 x 12	1
9	35610-000159	Control Panel Assembly - See Figure G	1
10	16080-000010	Choke Handle Subassembly	1
11	90007-000012	Hexagon Flange Bolt, M6 x 16	4
12	90103-000013	Cross Recess Pan Head Screw, M5 x 16	2
13	30351-000003	CO Module Cover	1
14	31114-000006	DC Wire Harness, Engine	1
15	31112-000015	DC Wire Harness, Battery	1
16	31115-000002	Battery Strap, 220 x 20 x 3.5	1
17	31110-000004	Battery, 12V/14Ah	1
18	16754-000001	Knob, Fuel Switch	1
19	90001-000027	Hexagon Flange Bolt, M6 x 25	1
20	30009-000002	Grounding Wire	1
21	90303-000003	Hexagon Nut, M6	1
22	90312-000001	Wing Nut, M6	1
23	90415-000001	Lock Washer, Toothed	1
24	90408-000006	Flat Washer	3
25	90403-000003	Spring Washer	2
26	90139-000001	Hexagon Flange Bolt, M5 x 10	4
27	18250-000005	Spark Arrestor	1
28	90007-000008	Hexagon Flange Bolt, M6 x 12	4
29	80019-000002	Guide Hood, Muffler	1
30	18100-000015	Muffler Assembly	1

#	Part Number	Description	Qty.
31	18101-000005	Exhaust Outlet Gasket	1
32	90303-000004	Hexagon Nut, M8	2
33	90001-000041	Hexagon Flange Bolt, M8 x 16	2
34	18030-000007	Muffler Bracket	1
35	90001-000040	Hexagon Flange Bolt, M8 x 16	2
36	16602-000001	Vibration Mount, Fuel Tank	2
37	96100-500DV000-01	Engine - See Figure B	1
38	96114-Y31300-0009	Alternator - See Figure E	1
39	90104-000002	Screw, M5 x 12	2
40	90698-000002	Protective Rubber Sleeve	1
41	90103-000002	Screw, M4 x 8	2
42	35720-000001	CO Module	1
43	30431-000017	Rubber Sleeve, Ø11 x Ø9.5 x 90	1
44	30431-000028	Rubber Sleeve, Ø11 x Ø9.5 x 200	1

ENGINE PARTS DIAGRAM

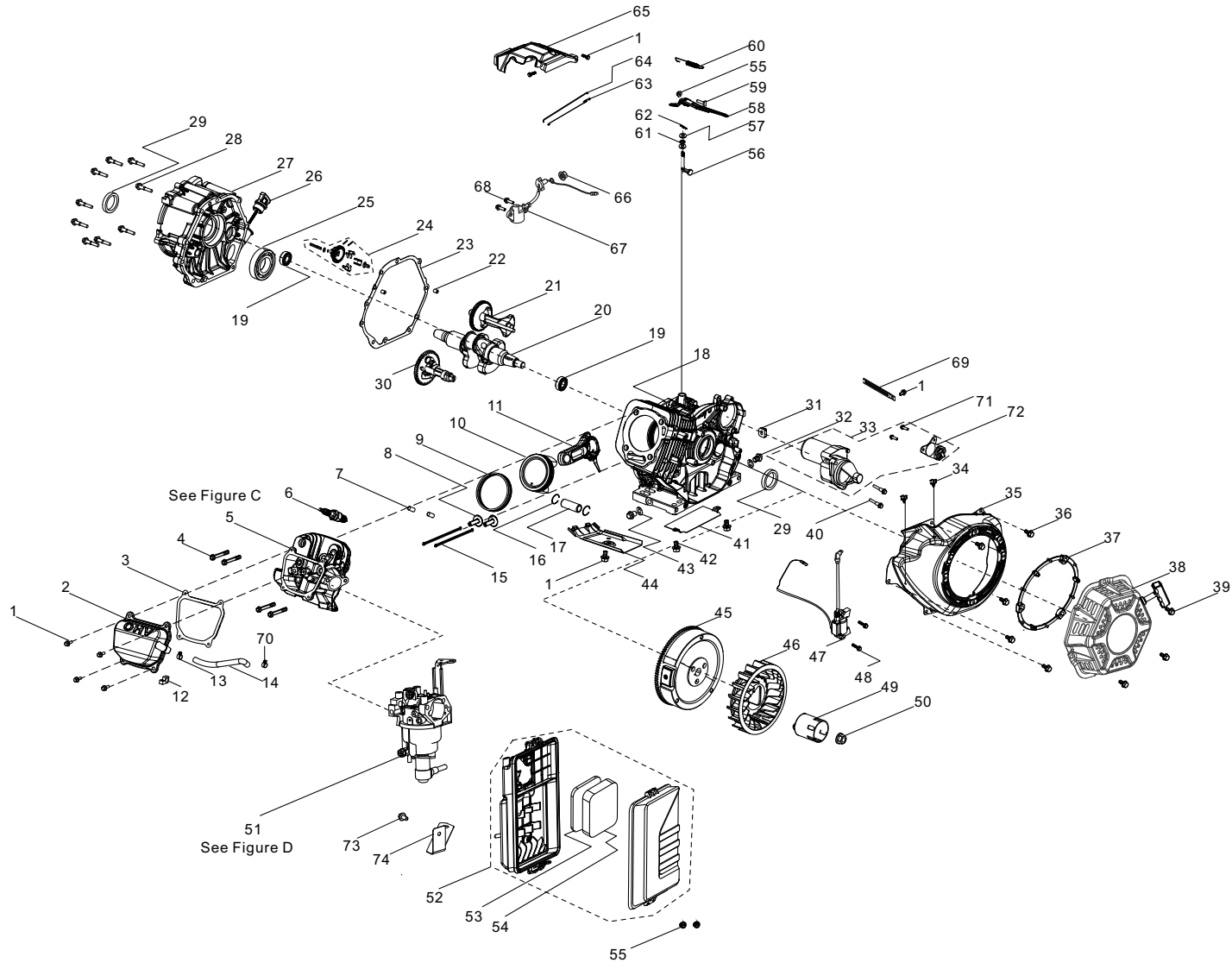


Figure B

ENGINE PARTS LIST

#	Part Number	Description	Qty.
1	90001-000018	Hexagon Flange Bolt, M6 x 12	8
2	12410-000002	Cylinder Head Cover	1
3	12004-000006	Cylinder Head Cover Gasket	1
4	12003-000006	Cylinder Head Bolt, M10 x 85	4
5	96003-Z12140-0043	Cylinder Head - See Figure C	1
6	30010-000001	Spark Plug, F6RTC	1
7	90502-000008	Pin, Ø12 x 20	2
8	14081-000003	Valve Tappet	2
9	13200-000001	Piston Ring Assembly	1
10	13111-000002	Piston	1
11	13010-000002	Connecting Rod, Ø38.5×Ø20 x 113.3	1
12	90804-000001	Stop Block	1
13	90685-000016	Clamp, Ø17 x 1.4	1
14	17004-000008	Breather Tube, Ø12.5×Ø16 x 108	1
15	14070-000001	Valve Lifter, Ø6 x 191	2
16	13122-000002	Piston Pin Clip, Ø20.5×Ø1	2
17	13121-000005	Piston Pin, Ø20 x Ø15 x 53	1
18	11310-000002	Crankcase Subassembly	1
19	90548-000001	Bearing, 6202	2
20	13300-000002	Crankshaft Assembly	1
21	13401-000001	Balancing Shaft	1
22	90502-000002	Pin, Ø8 x 12	2
23	11001-000002	Crankcase Gasket	1
24	16400-000005	Governor Gear Assembly	1
25	90547-000014	Bearing, 6208	1
26	15010-000010	Oil Dipstick	1
27	11411-000002	Crankcase Cover	1
28	90001-000050	Hexagon Flange Bolt, M8 x 40	9
29	90682-000005	Oil Seal, Ø52 x Ø40 x 9	2
30	14200-000001	Camshaft Assembly	1

#	Part Number	Description	Qty.
31	28101-000001	Rubber Plug	1
32	11007-000004	Drain Plug Bolt, M12 x 18	2
33	09100-000001	Starter Motor	1
34	90685-000017	Clamp	2
35	28110-000024	Engine Fan Cover	1
36	90001-000019	Hexagon Flange Bolt, M6 x 12	5
37	28261-000003	Retainer Ring, Recoil Starter	1
38	28200-000001	Recoil Starter Assembly	1
39	90001-000025	Hexagon Flange Bolt, M6 x 20	3
40	90001-000049	Hexagon Flange Bolt, M8 x 35	2
41	19306-000001	Air Deflector, Crankcase	1
42	90001-000016	Hexagon Flange Bolt, M6 x 10	2
43	90412-000003	Washer, Ø21 x Ø12 x 2	2
44	19304-000004	Cylinder Body Shroud	1
45	13510-000004	Flywheel Subassembly	1
46	19352-000007	Engine Fan	1
47	30400-000004	Ignition Coil	1
48	90001-000028	Hexagon Flange Bolt, M6 x 28	2
49	28002-000003	Starter Pulley	1
50	13501-000002	Flywheel Nut, M16 x 1.5	1
51	96003-Z16100-0031	Carburetor Assembly - See Figure D	1
52	17100-000008	Air Cleaner Assembly	1
53	17151-000001	Element 1, Air Cleaner	1
54	17151-000002	Element 2, Air Cleaner	1
55	90305-000005	Hexagon Flange Nut, M6	3
56	16061-000003	Governor Arm	1
57	90412-000004	Washer, Ø8.4 x Ø19.5 x 0.8	2
58	16070-000003	Governor Support Subassembly	1
59	16072-000001	Governor Support Bolt, M6 x 21	1
60	16063-000006	Governor Spring, Ø1.8 x Ø19.5 x 136	1

#	Part Number	Description	Qty.
61	90682-000007	Oil Seal, Ø14 x Ø8 x 4	1
62	90501-000005	Pin	1
63	16012-000003	Throttle Valve Returning Spring	1
64	16062-000005	Governor Rod	1
65	16520-000007	Air Guide, Engine Fan	1
66	90305-000014	Hexagon Flange Nut, M10	1
67	37060-000006	Engine oil Sensor, W/O Nut	1
68	90001-000022	Hexagon Flange Bolt, M6 x 16	2
69	90684-000003	Clip, Ø6 x 10.6 x 100	1
70	90685-000014	Clamp, Ø16 x 1.6	1
71	90001-000007	Hexagon Flange Bolt, M5 x 16	2
72	30500-000001	Starting Relay	1
73	90001-000019	Hexagon Flange Bolt, M6 x 12	1
74	17003-000009	Air Cleaner Support	1

CYLINDER HEAD PARTS DIAGRAM

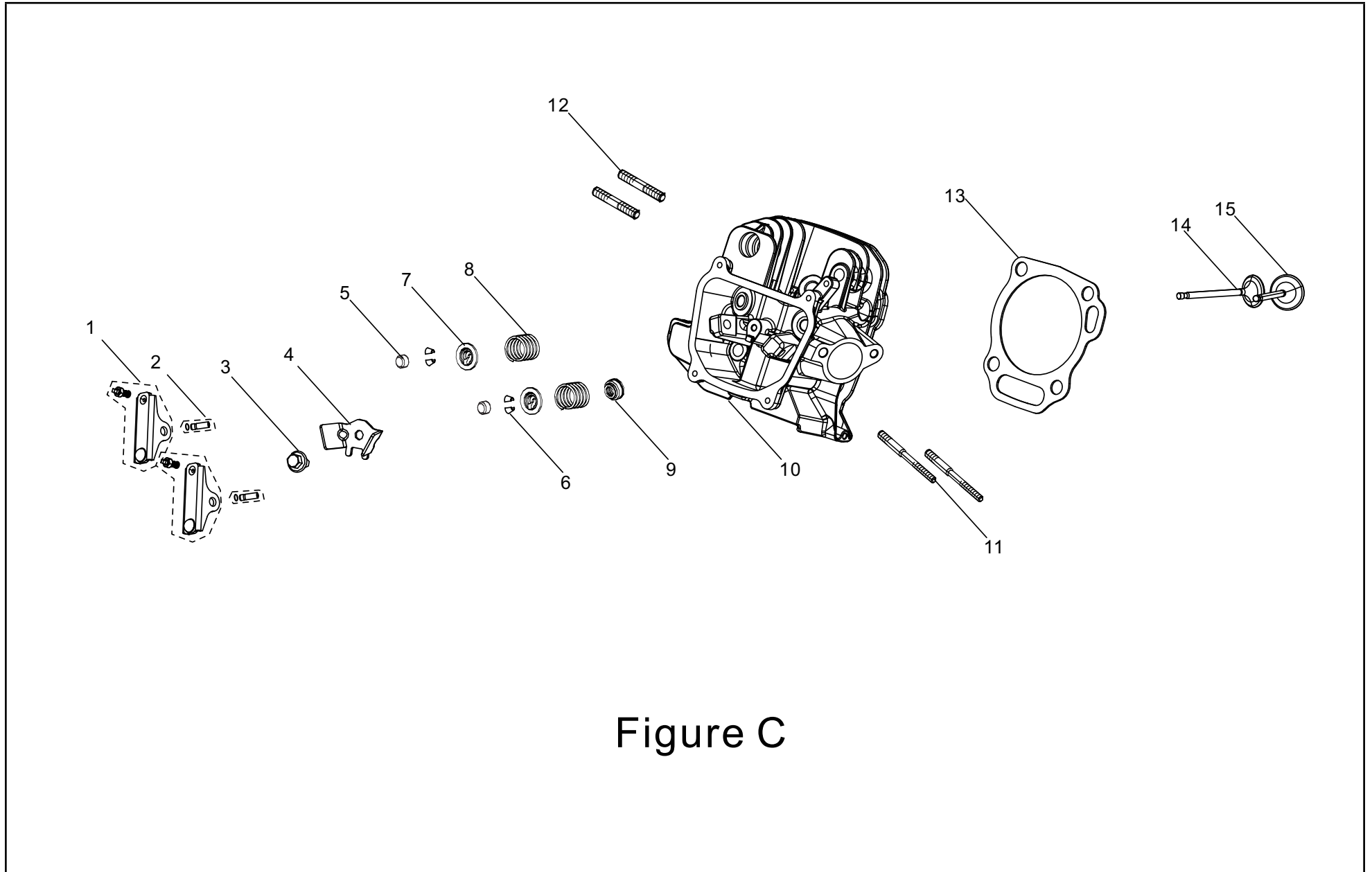


Figure C

CYLINDER HEAD PARTS LIST

#	Part Number	Description	Qty.
1	14310-000001	Valve Rocker Arm	2
2	14318-000005	Rocker Arm Shaft Assembly	2
3	90001-000019	Hexagon Flange Bolt, M6 x 12	1
4	12419-000002	Pin Plate, Cylinder Head Cover	1
5	12104-000001	Lash Cap, Valve, Ø5.6 x Ø8.5 x 5.2	2
6	12109-000001	Valve Lock Clamp, Ø5.5 x Ø9	4
7	12112-000002	Valve Spring Retainer	2
8	12103-000009	Valve Spring, Ø19.1 x Ø2.5	2
9	12101-000001	Valve Seal Guide	1
10	12140-000032	Cylinder Head	1
11	90204-000011	Stud, M6/M8 x 110	2
12	90203-000002	Stud, M8 x 34	2
13	12131-000001	Cylinder Head Gasket	1
14	12121-000001	Exhaust Valve	1
15	12111-000001	Intake Valve	1

CARBURETOR PARTS DIAGRAM

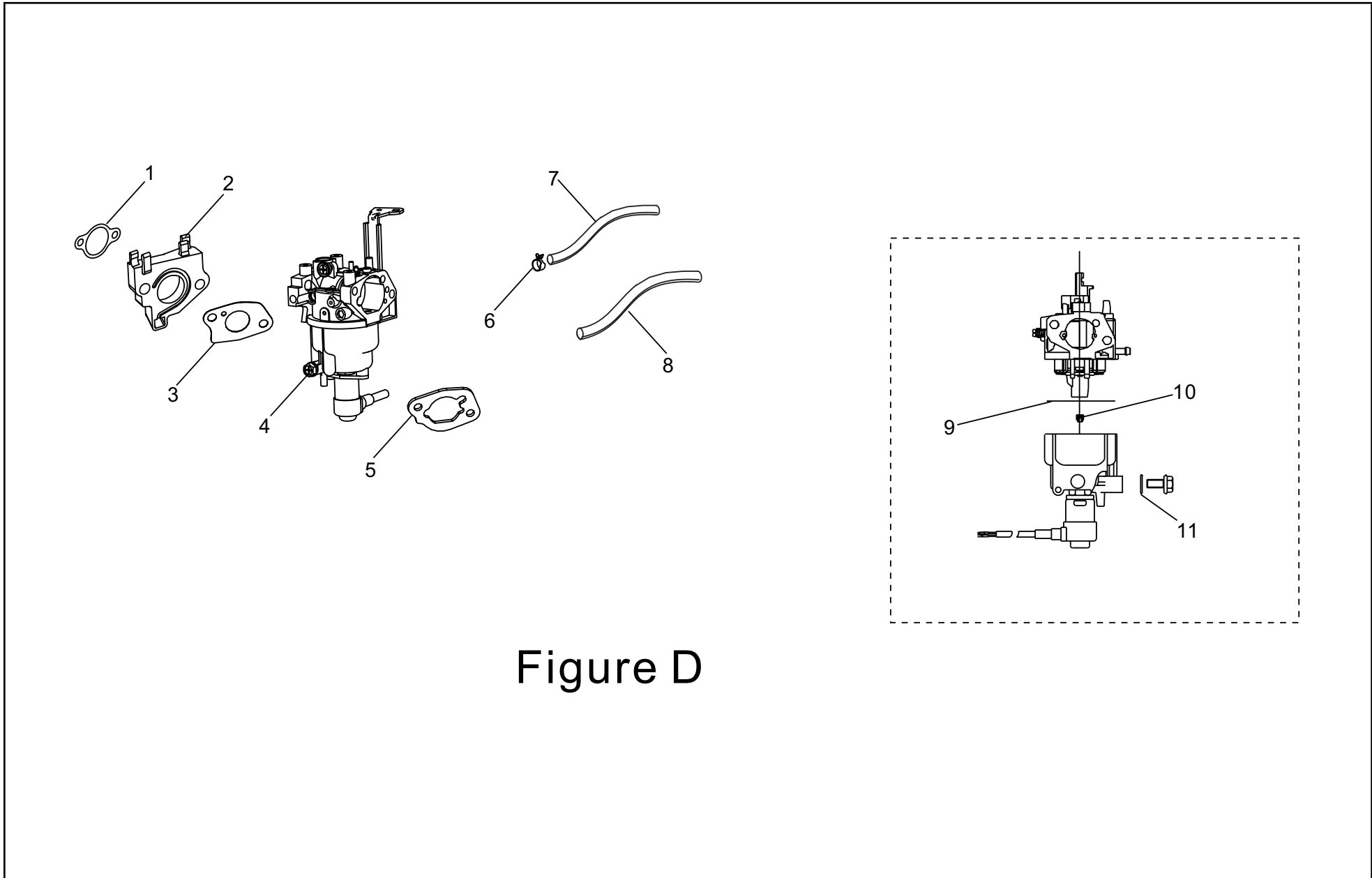


Figure D

CARBURETOR PARTS LIST

#	Part Number	Description	Qty.
1	17002-000002	Gasket, Inlet	1
2	16003-000003	Carburetor Insulator	1
3	16001-000003	Carburetor Gasket	1
4	16100-000006	Carburetor Assembly	1
5	17001-000006	Air Cleaner Gasket	1
6	90685-000012	Clamp, Ø8 x 0.6 x 7	1
7	90686-000033	Fuel Tube, Ø4.5 x Ø8.5 x 435	1
8	30431-000013	Rubber Sleeve, Ø9.5 x Ø11 x 150	1
9	16112-000003	Seal Ring, Float	1
10	16161-000006	Main Jet (H128×0.39), Standard	1
	16161-000054	Main Jet (H128×0.41), Altitude 3000-6000 Feet	/
	16161-000009	Main Jet(H128×0.43), Altitude 6000-8000 Feet	/
11	90681-000011	Seal Ring	1

ALTERNATOR PARTS DIAGRAM

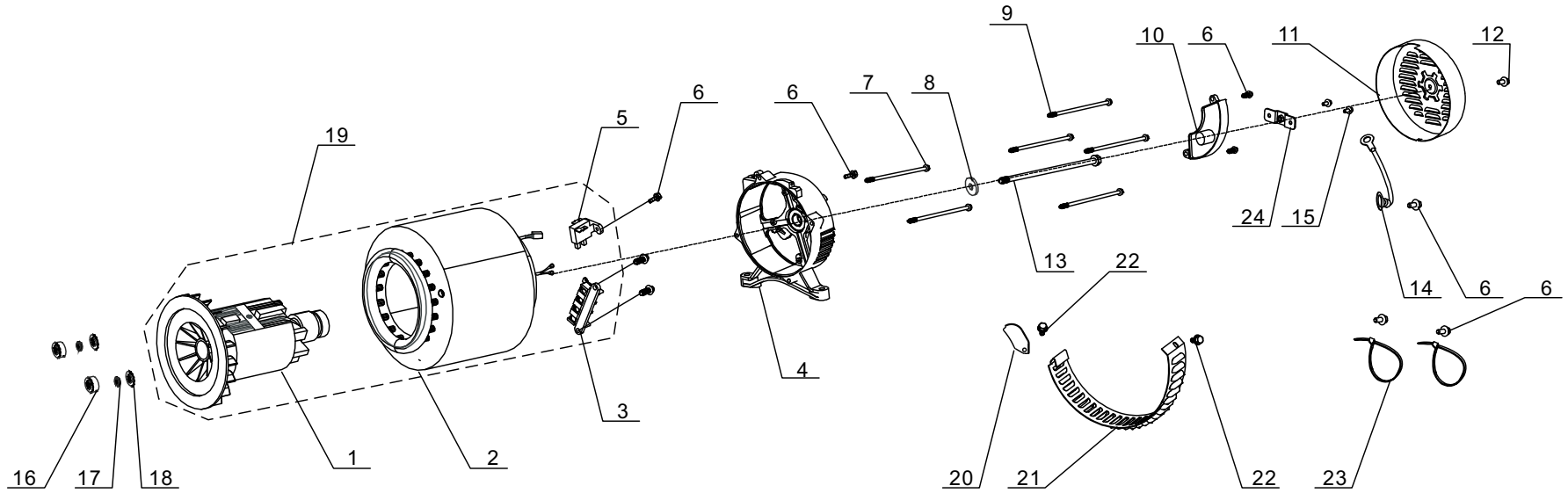


Figure E

ALTERNATOR PARTS LIST

#	Part Number	Description	Qty.
1	31330-000002	Rotor, AL, Ø204 x 158	1
2	31310-000019	Stator, AL, Ø204 x 158	1
3	31303-000002	Terminal Block	1
4	30021-000005	End Housing	1
5	31320-000002	Carbon Brush Subassembly	1
6	90001-000007	Hexagon Flange Bolt, M5 x 16	8
7	31316-000002	Bolt, Stator, M5 x 232	2
8	90408-000011	Flat Washer, Ø10.4 x Ø30 x 4	1
9	30048-000004	Bolt, Stator, M6 x 199	4
10	30060-000012	Rectifier	1
11	30022-000011	Cover, End Housing	1
12	90001-000019	Hexagon Flange Bolt, M6 x 12	1
13	30049-000004	Bolt, Rotor, M10 x 1.25 x 285	1
14	30009-000014	Grounding Wire	1
15	90007-000003	Hexagon Flange Bolt, M5 x 12	2
16	90303-000001	Nut, M5	2
17	90403-000002	Spring Washer	2
18	90408-000003	Flat Washer, Ø5	2
19	31300-000029	Alternator Assembly, AL, D204 x 158	1
20	30023-000005	Stopper, Motor Right Cover	1
21	30024-000003	Vent, Engine Fan	1
22	90001-000001	Hexagon Flange Bolt, M5 x 10	2
23	90727-000001	Band, 4 x 200	2
24	51124-000010	Mounting Bracket	1

FUEL TANK PARTS DIAGRAM

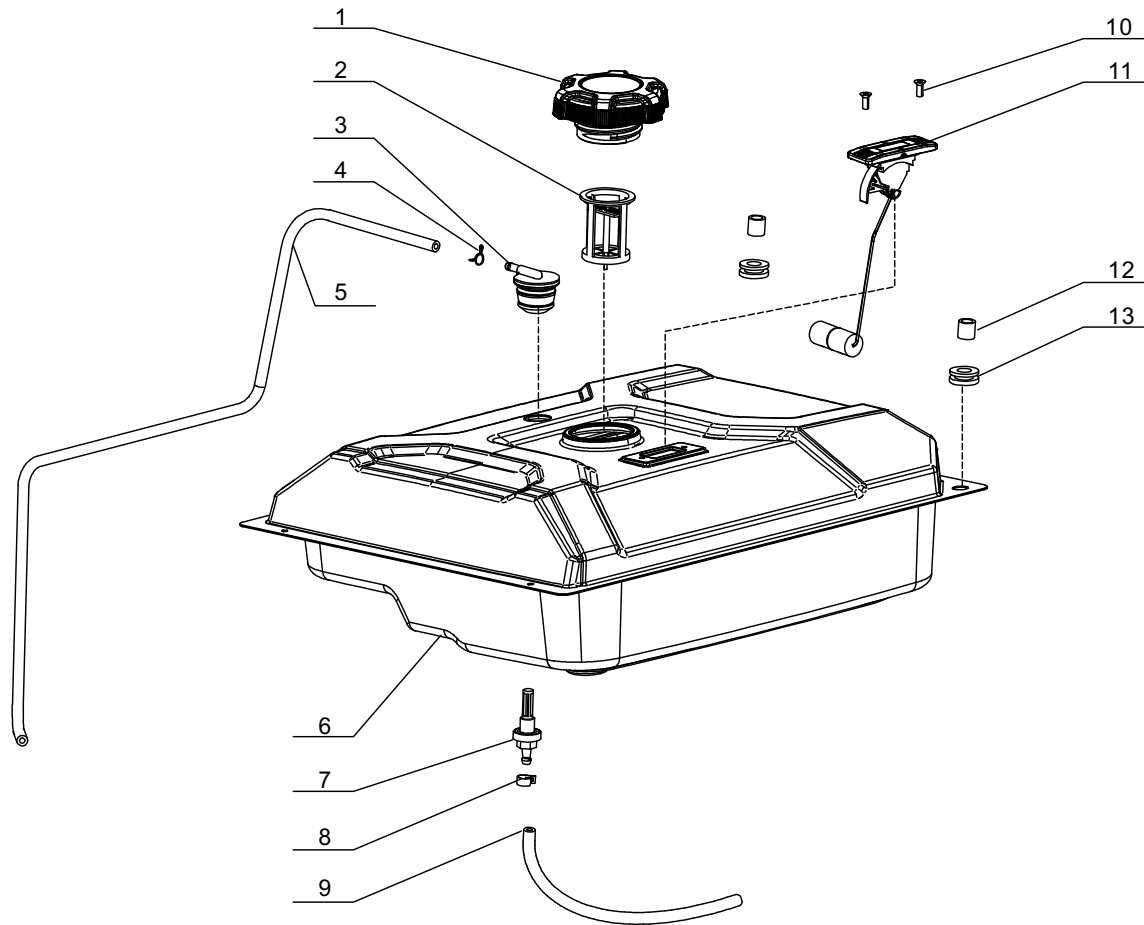


Figure F

FUEL TANK PARTS LIST

#	Part Number	Description	Qty.
1	16730-000010	Fuel Tank Cap	1
2	16652-000009	Fuel Filter, Ø38.5 x 44	1
3	15150-000003	Reversal Valve	1
4	90740-000005	Clamp, Ø9	1
5	16804-000004	Connection Tube, Ø4.5 x Ø8.5 x 750	1
6	16620-000023	Fuel Tank	1
7	16680-000002	Fitting, Fuel Tank Drain	1
8	90685-000002	Clamp, Ø9 x 8 x 0.8	1
9	90686-000019	Fuel Tube, Ø4.5 x Ø8.5 x 155	1
10	90104-000002	Screw, M5 x 12	2
11	37200-000013	Fuel Gauge	1
12	90683-000002	Bushing	2
13	16601-000002	Vibration Mount, Ø16 x 8.5	2

CONTROL PANEL PARTS DIAGRAM

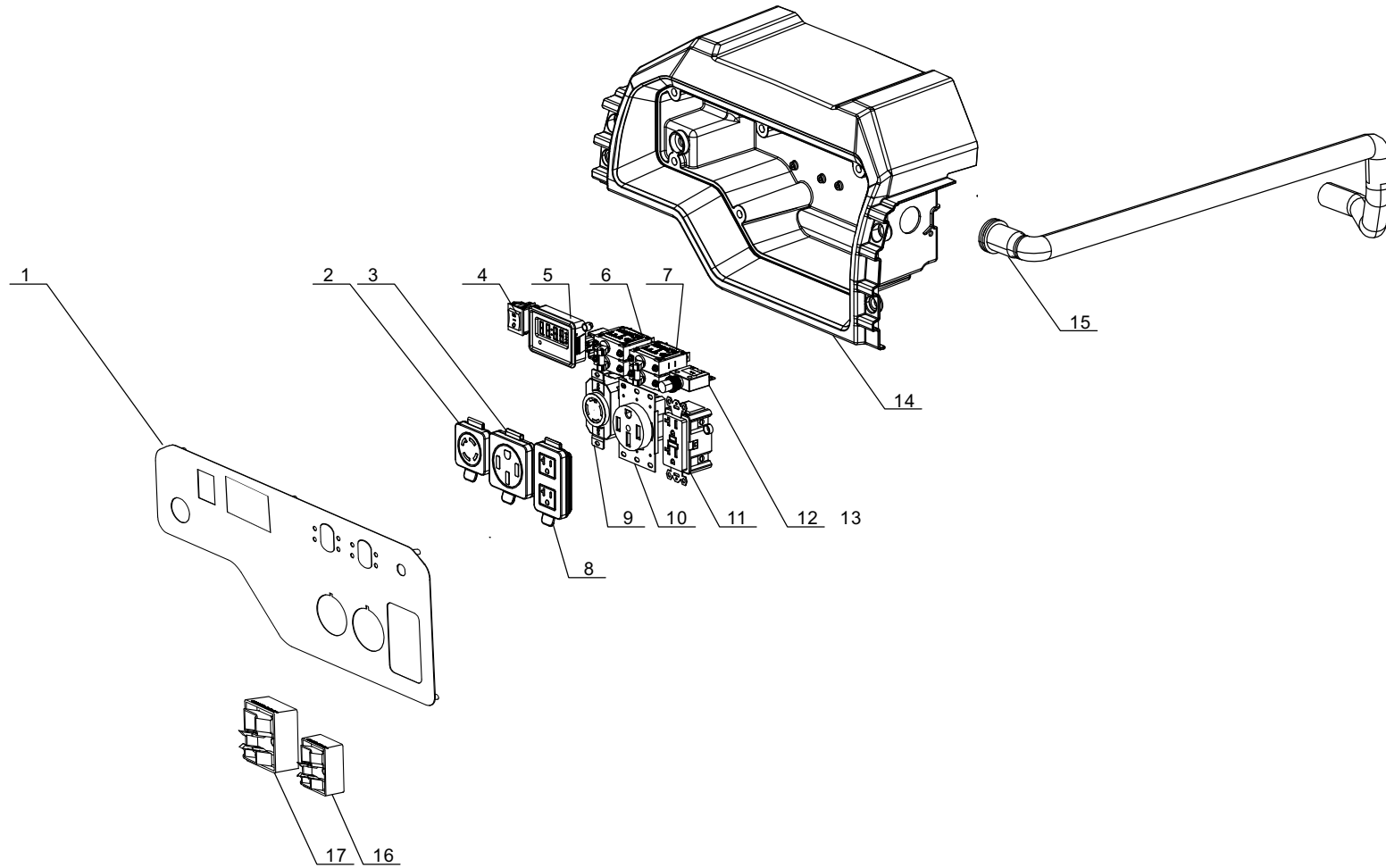


Figure G

CONTROL PANEL PARTS LIST

#	Part Number	Description	Qty.
1	35650-000045	Control Panel	1
2	35654-000010	Receptacle Cover, L14-30	1
3	35654-000012	Receptacle Cover, 14-50R	1
4	35160-000005	Switch, Engine	1
5	35632-000006	Intelligauge, INT1A0F	1
6	35627-000001	30Amp Circuit Breaker, 2P Flip	1
7	35627-000003	39.5Amp Circuit Breaker, 2P Flip	1
8	35654-000013	Receptacle Cover, 5-20R	1
9	35614-000014	L14-30 Receptacle, 30A, 125V/250V	1
10	35614-000015	14-50R Receptacle, 50A, 125V/250V	1
11	35614-000018	5-20R GFCI Receptacle, 20A, 125V	1
12	31234-000003	20Amp Circuit Breaker, Push Button, 125/250V	1
13	35654-000005	Cover, Push Button	1
14	35680-000028	Housing, Control Panel	1
15	35660-000052	Wire Harness, Control Panel	1
16	30008-000002	Control Module, OV0201	1
17	30007-000002	Charging Module, EC0803	1

FRAME ASSEMBLY PARTS DIAGRAM

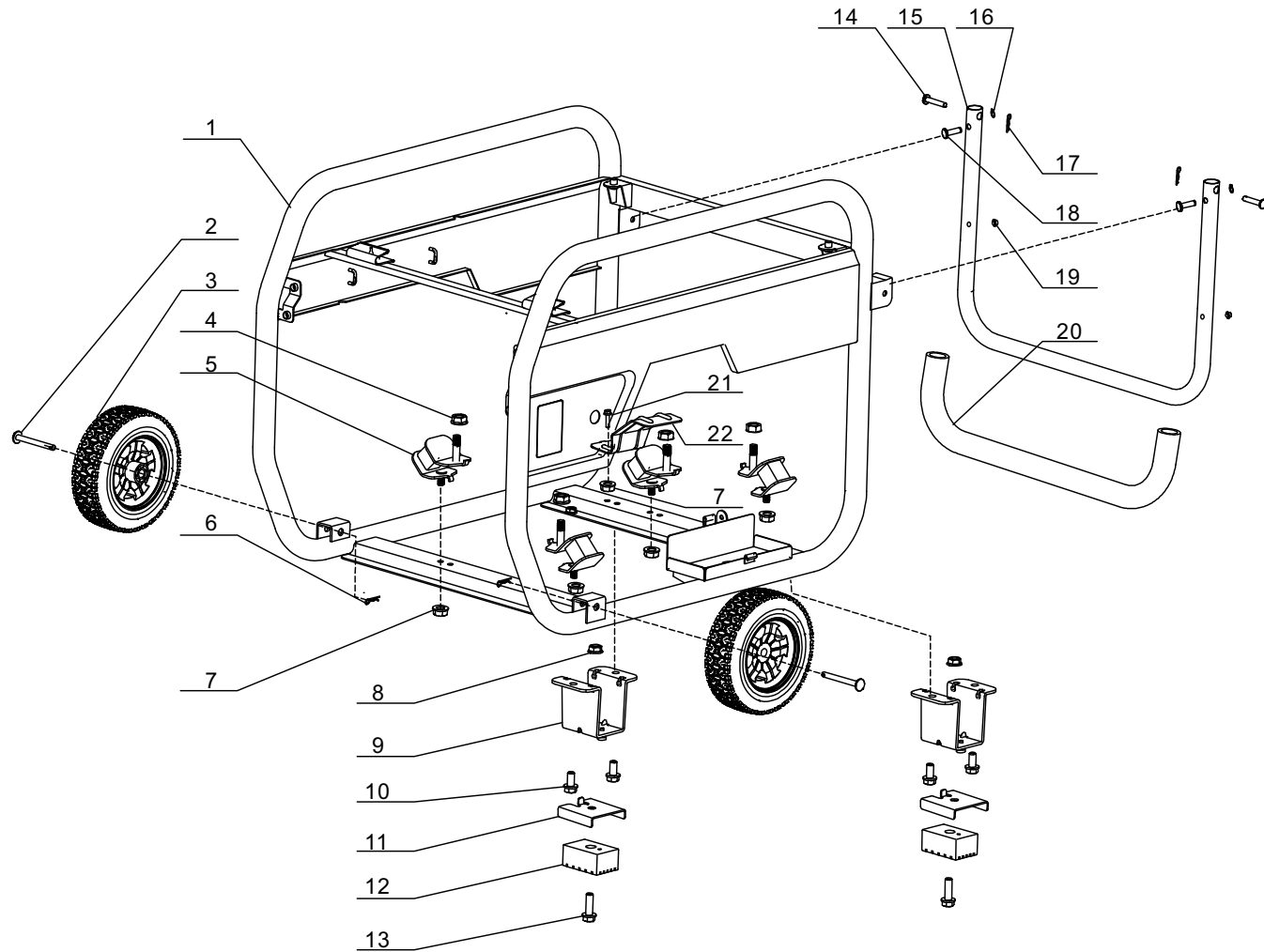


Figure H

FRAME ASSEMBLY PARTS LIST

#	Part Number	Description	Qty.
1	51100-000057	Frame Assembly, 720 x 517 x 565	1
2	44020-000011	Roll Pin, Ø16 x 55.5	2
3	44110-000004	Wheel, 9.5 in	2
4	90306-000002	Hexagon Flange Nut, M10	4
5	51012-000001	Vibration Mount 1, Frame	4
6	90583-000001	R-Clip, Ø2.0 x 38	2
7	90305-000011	Hexagon Flange Nut, M8	5
8	90305-000008	Hexagon Flange Nut, M6	2
9	51016-000013	Support Leg	2
10	90001-000041	Hexagon Flange Bolt, M8 x 16	4
11	24329-000008	Block	2
12	51014-000017	Vibration Mount, Support Leg	2
13	90001-000025	Hexagon Flange Bolt, M6 x 20	2
14	90504-000002	Pin Shaft	2
15	54110-000017	Handle	1
16	90573-000002	Circlip, Pin Shaft	2
17	90583-000001	R-Clip, Ø2 x 38	2
18	90504-000005	Pin Shaft, Ø8 x 25	2
19	90722-000006	Plug, End	2
20	54101-000008	Handle Sheath	1
21	90001-000041	Hexagon Flange Bolt, M8 x 16	1
22	24329-000006	Block 1	1

WIRING DIAGRAM

201306 R9500DP-P 20230619

