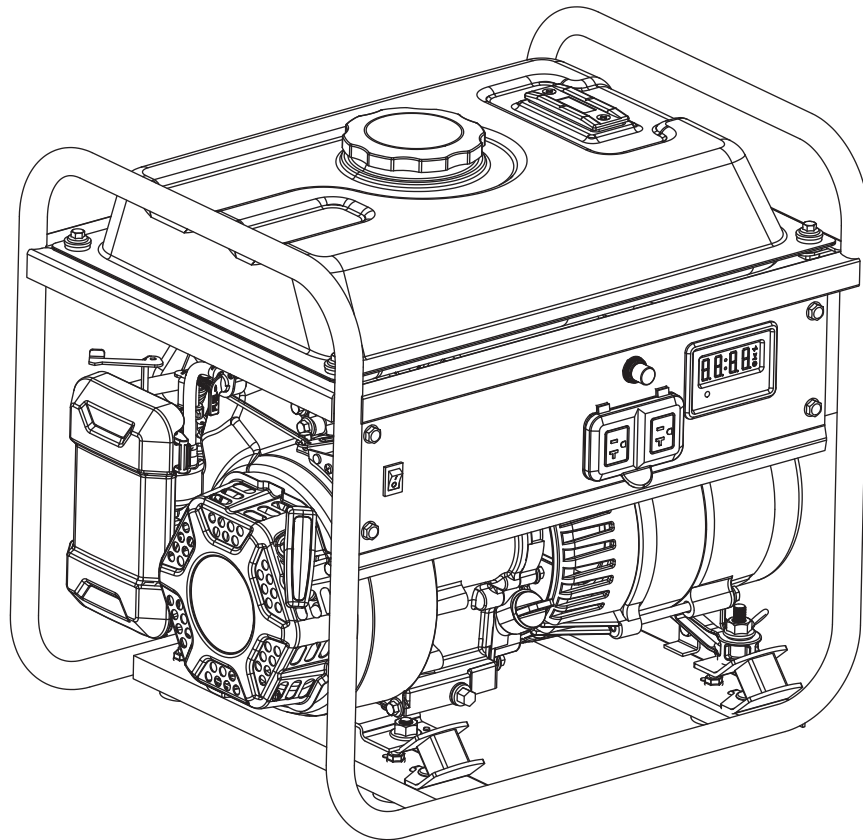




Champion Power Equipment, Inc.

MODEL #201285



PARTS INFORMATION

1200W PORTABLE GENERATOR

SERIAL NUMBER RANGE: ALL



To order replacement parts please visit:
shop.championpowerequipment.com
or call **1-877-338-0999**.

TABLE OF CONTENTS

Generator Parts Diagram	3
Generator Parts List	4
Engine Parts Diagram	5
Engine Parts List	6
Cylinder Head Parts Diagram	8
Cylinder Head Parts List	9
Carburetor Parts Diagram	10
Carburetor Parts List	11
Alternator Parts Diagram	12
Alternator Parts List	13
Fuel Tank Parts Diagram	14
Fuel Tank Parts List	15
Control Panel Parts Diagram	16
Control Panel Parts List	17
Frame Assembly Parts Diagram	18
Frame Assembly Parts List	19
Wiring Diagram	20

GENERATOR PARTS DIAGRAM

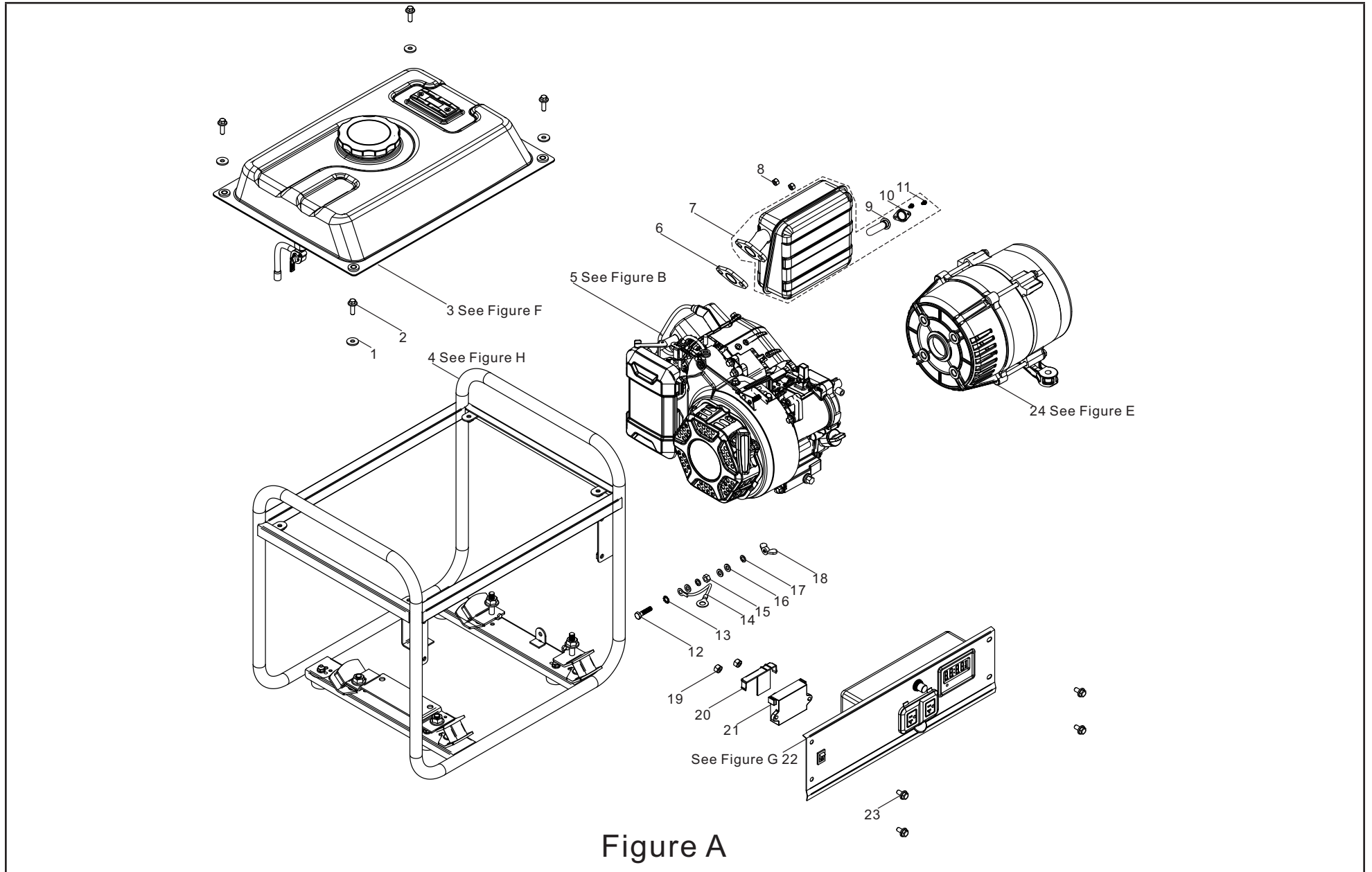
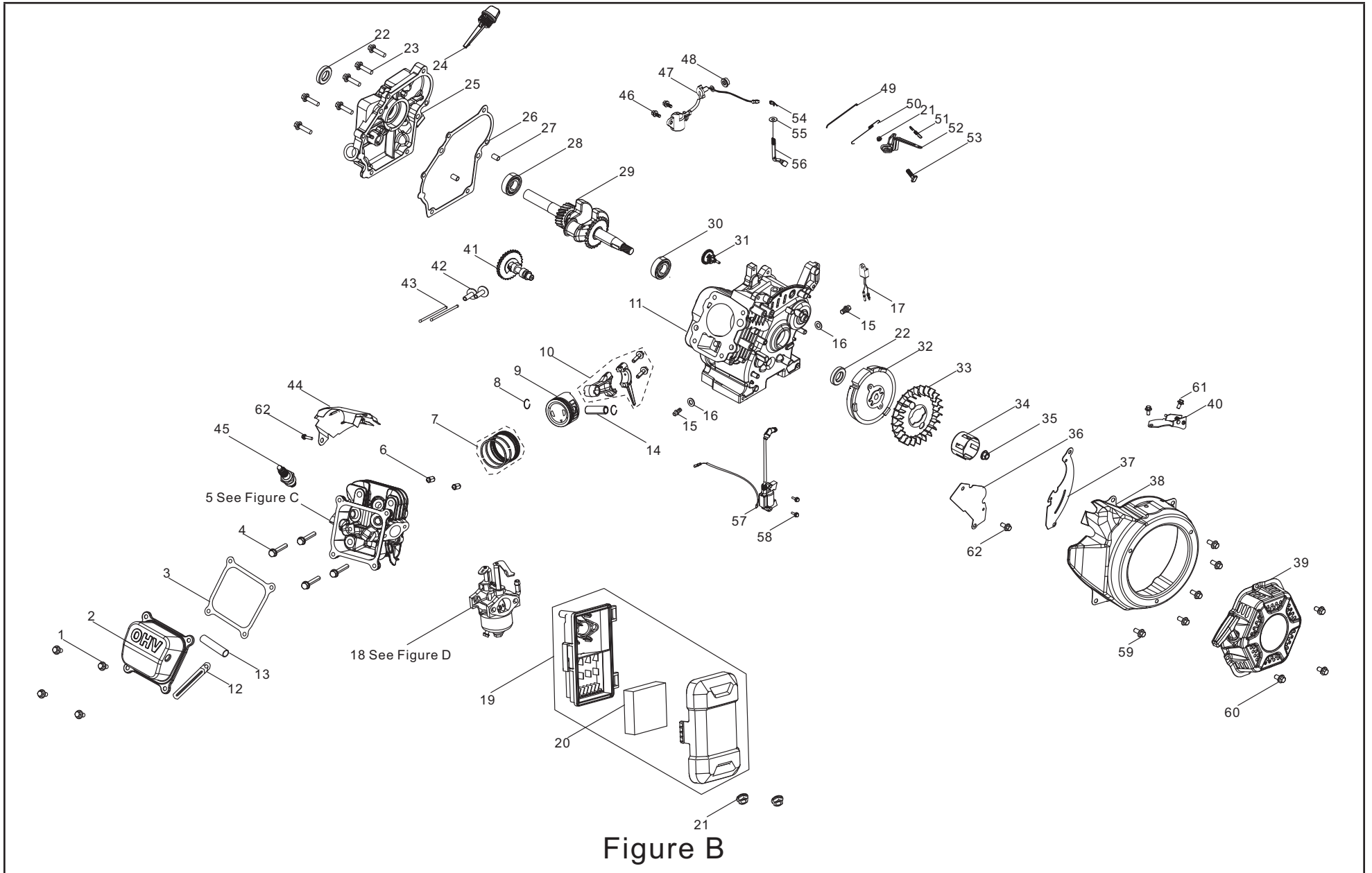


Figure A

GENERATOR PARTS LIST

#	Part Number	Description	Qty.
1	90408-000014	Flat Washer	4
2	90001-000025	M6 x 20 Flange Bolt	4
3	96104-Y16620-0011	Fuel Tank Assembly - See Figure F	1
4	96103-Y51100-0017	Frame Assembly - See Figure H	1
5	96100-80V00000-01	Engine - See Figure B	
6	18001-000008	Exhaust Outlet Gasket	1
7	18100-000012	Muffler Assembly	1
8	90303-000004	Flange Nut, M8	2
9	18250-000003	Inner Spark Arrestor	1
10	30079-000005	Spark Arrestor Plate	1
11	90001-000002	M5 x 10 Hexagon Flange Bolt	2
12	90001-000027	M6 x 25 Hexagon Flange Bolt	1
13	90415-000001	Toothed Lock Washer	1
14	30009-000001	Grounding Wire	1
15	90303-000003	M6 Nut	1
16	90408-000006	Flat Washer	3
17	90403-000003	Spring Washer	2
18	90312-000001	M6 Wing Nut	1
19	90305-000001	M4 Hexagon Flange Nut	2
20	30351-000003	CO Alarm Cover	1
21	35720-000004	CO Alarm	1
22	35610-000160	Panel Assembly - See Figure G	1
23	90001-000019	M6 x 12 Hexagon Flange Bolt	4
24	96114-Y31300-0010	Alternator - See Figure E	1

ENGINE PARTS DIAGRAM



ENGINE PARTS LIST

#	Part Number	Description	Qty.
1	90001-000019	M6 x 12 Hexagon Flange Bolt	4
2	12410-000005	Cylinder Head Cover Subassembly	1
3	12004-000009	Cylinder Head Cover Gasket	1
4	12003-000007	Cylinder Head Bolt, M8 x 55	4
5	96101-Z120410-0017	Cylinder Head Assembly - See Figure C	1
6	90502-000003	Pin, 8 x 14	2
7	13200-000008	Piston Ring Assembly	1
8	13122-000004	Piston Pin Clip	2
9	13111-000004	Piston	1
10	13010-000005	Connecting Rod	1
11	11310-000010	Crankcase Subassembly	1
12	90684-000003	Clip, Ø6 x Ø10.6 x 100	1
13	17004-000012	Breather Tube, Ø8 x Ø12 x 68	1
14	13121-000007	Piston Pin, Ø10 x Ø5.8 x 38	1
15	11007-000001	Drain Plug Bolt, M10 x1.25 x15	2
16	90408-000019	Washer, Ø10 x Ø15.8 x 1.5	2
17	37050-000001	Oil Protector	1
18	96105-Z16100-0011	Carburetor Assembly - See Figure D	1
19	17100-000010	Air Cleaner Assembly	1
20	17151-000003	Air Cleaner Element	1
21	90305-000007	Hexagon Flange Nut, M6	3
22	90682-000012	Oil Seal, Ø17 x Ø30 x 6	2
23	90001-000026	M6 x 25 Hexagon Flange Bolt	6
24	15010-000018	Oil Dipstick Subassembly	1
25	11411-000013	Crankcase Cover	1
26	11001-000009	Crankcase Gasket	1
27	90502-000002	Pin, 8 x 12	2
28	90547-000015	Bearing, 6303	1
29	13300-000015	Crankshaft Assembly	1
30	90547-000002	Bearing, 6203	1

#	Part Number	Description	Qty.
31	16400-000006	Governor Gear Assembly	1
32	13510-000018	Flywheel Subassembly	1
33	19352-000014	Engine Cooling Fan	1
34	28002-000005	Starter Pulley	1
35	13501-000003	Flywheel Nut, M12 x 1.25	1
36	30028-000001	Shroud Shield	1
37	19306-000004	Crankcase air Deflector	1
38	28110-000008	Fan Cover	1
39	28200-000002	Recoil Starter Assembly	1
40	16520-000020	Throttle Control Assembly	1
41	14200-000028	Camshaft Assembly	1
42	14081-000001	Valve Tappet, Ø23.6 x Ø8 x 27	2
43	14071-000001	Valve Lifter, Ø5 x Ø3.5 x 117	2
44	19304-000007	Cylinder Body Shroud	1
45	30010-000005	Spark Plug, A5RTC	1
46	90001-000020	M6 x 14 Hexagon Flange Bolt	2
47	37060-000016	Engine oil Sensor	1
48	90305-000014	M10 Hexagon Flange Nut	1
49	16062-000007	Governor Rod, Ø2 x 133	1
50	16012-000005	Throttle Valve Returning Spring, Ø7 x Ø0.5 x 122	1
51	16063-000022	Governor Spring	1
52	16070-000005	Governor Support Subassembly	1
53	16072-000001	Governor Support Bolt, M6 x 21	1
54	90501-000005	Governor Arm Pin	1
55	90408-000020	Washer, Ø6.2 x Ø15 x 0.6	1
56	16061-000005	Governor Arm	1
57	30400-Z000041	Ignition Coil	1
58	90001-000024	M6 x 20 Hexagon Flange Bolt	2
59	90001-000018	M6 x 12 Hexagon Flange Bolt	5

#	Part Number	Description	Qty.
60	90251-000001	M6 x 8 Bolt & Washer Assembly	3
61	90001-000012	M6 x 8 Hexagon Flange Bolt	2
62	90001-000016	M6 x 10 Hexagon Flange Bolt	2

CYLINDER HEAD PARTS DIAGRAM

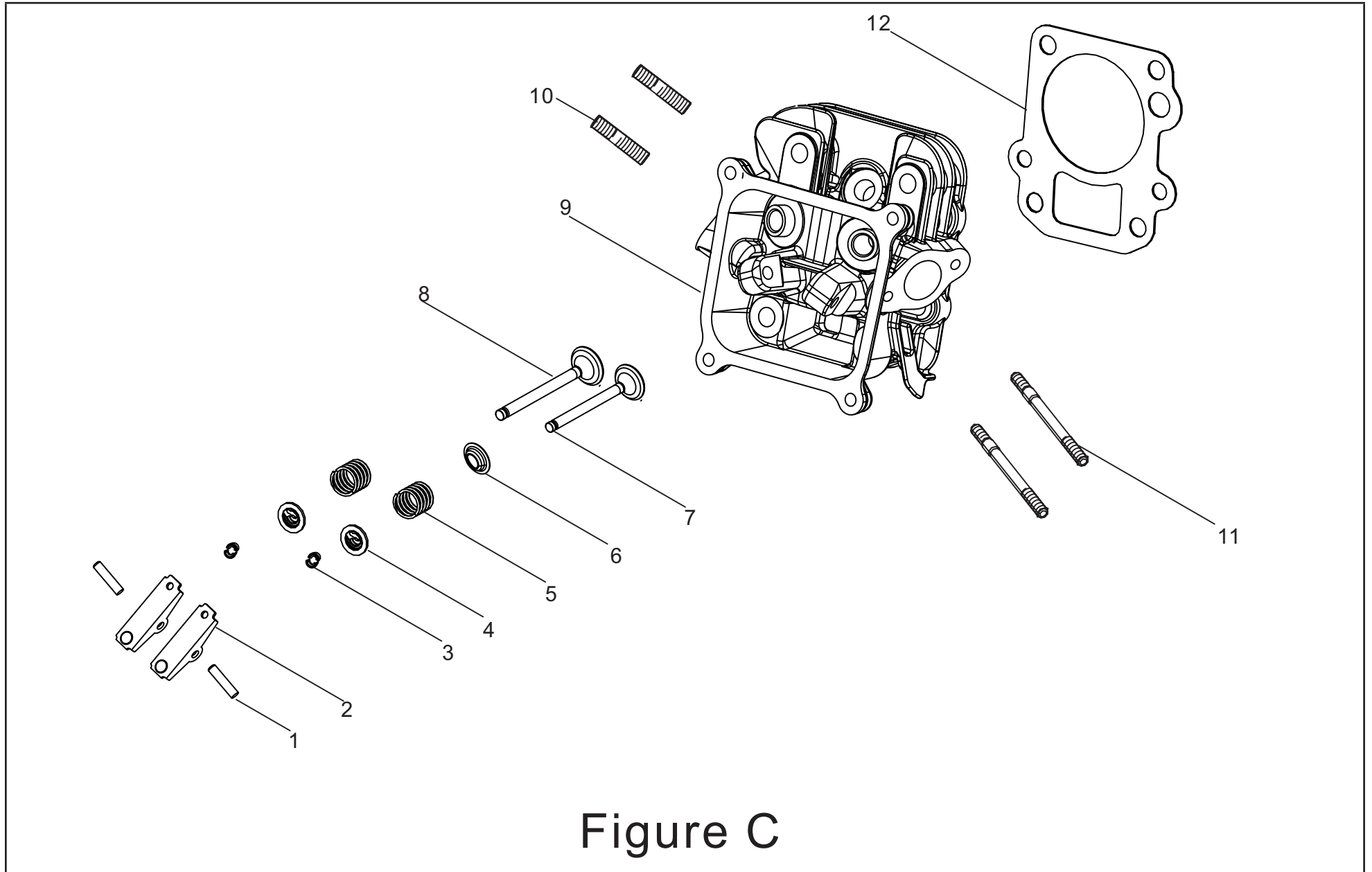


Figure C

CYLINDER HEAD PARTS LIST

#	Part Number	Description	Qty.
1	14318-000003	Valve Rocker Shaft Subassembly	2
2	14310-000004	Valve Rocker Subassembly	2
3	12109-000004	Valve Lock Clamp	4
4	12112-000008	Valve Spring Retainer	2
5	12103-000005	Valve Spring, Ø18 x Ø2 x 25	2
6	12101-000006	Seal Guide	1
7	12111-000003	Intake Valve	1
8	12121-000004	Exhaust Valve	1
9	12140-000005	Cylinder Head	1
10	90203-000001	M8 x 34 Stud	2
11	90204-000001	M6 x 96 Stud	2
12	12131-000007	Cylinder Head Gasket	1

CARBURETOR PARTS DIAGRAM

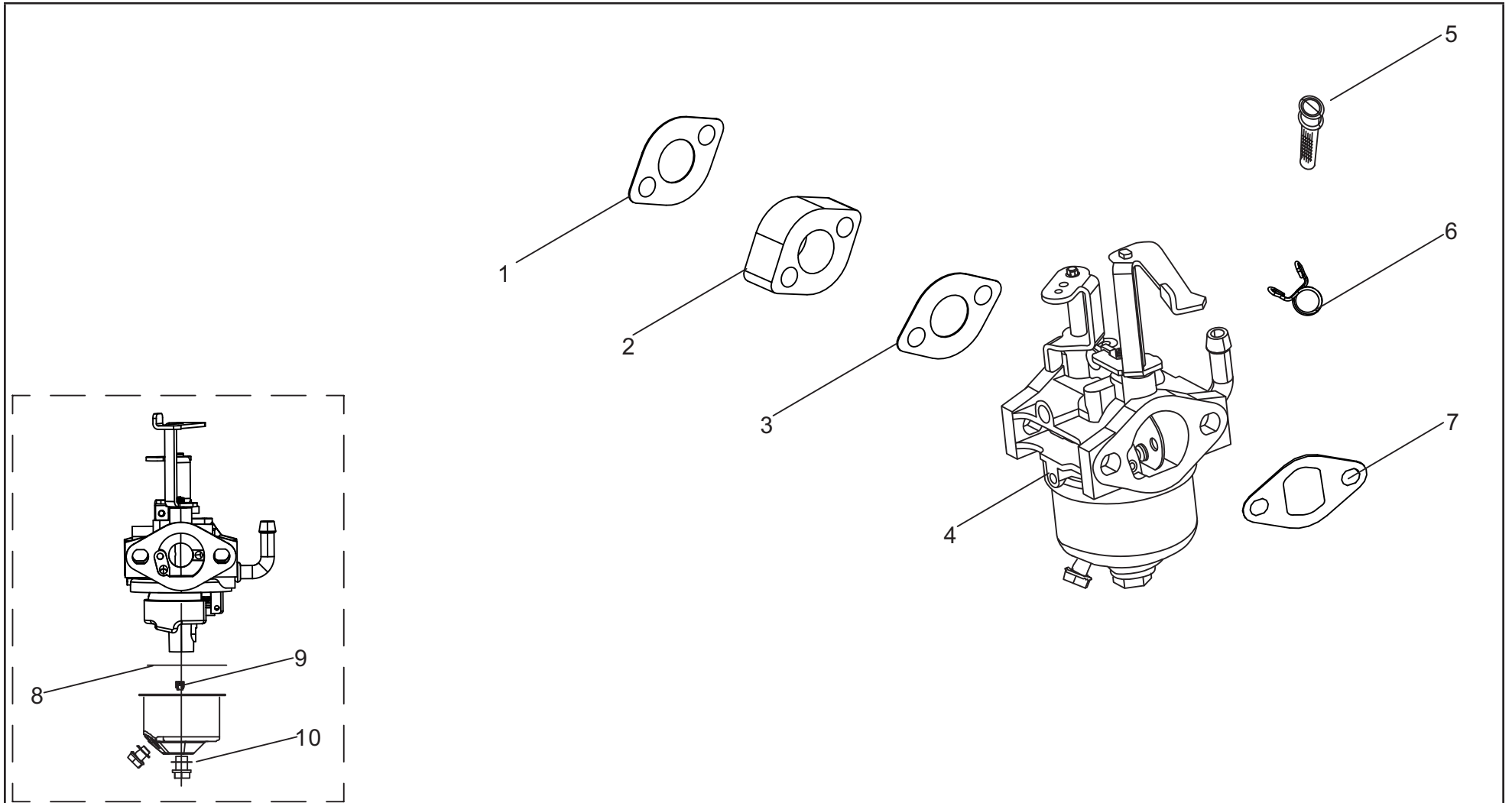


Figure D

CARBURETOR PARTS LIST

#	Part Number	Description	Qty.
1	17002-000006	Inlet Gasket	1
2	16003-000011	Carburetor Insulator Plate	1
3	16001-000004	Carburetor Gasket	1
4	16100-000010	Carburetor Assembly	1
5	16652-000016	Carburetor Fuel Filter	1
6	90685-000007	Clamp, Ø9 x 0.8 x 8	1
7	17001-000009	Air Cleaner Gasket	1
8	16112-000006	Float Seal Ring	1
9	16161-000014	Main Jet(63#), Standard	1
	16161-000012	Main Jet(61#), Altitude 3000-6000 Feet	/
	16161-000047	Main Jet(59#), Altitude 6000-8000 Feet	/
10	90681-000011	Seal Ring	1

ALTERNATOR PARTS DIAGRAM

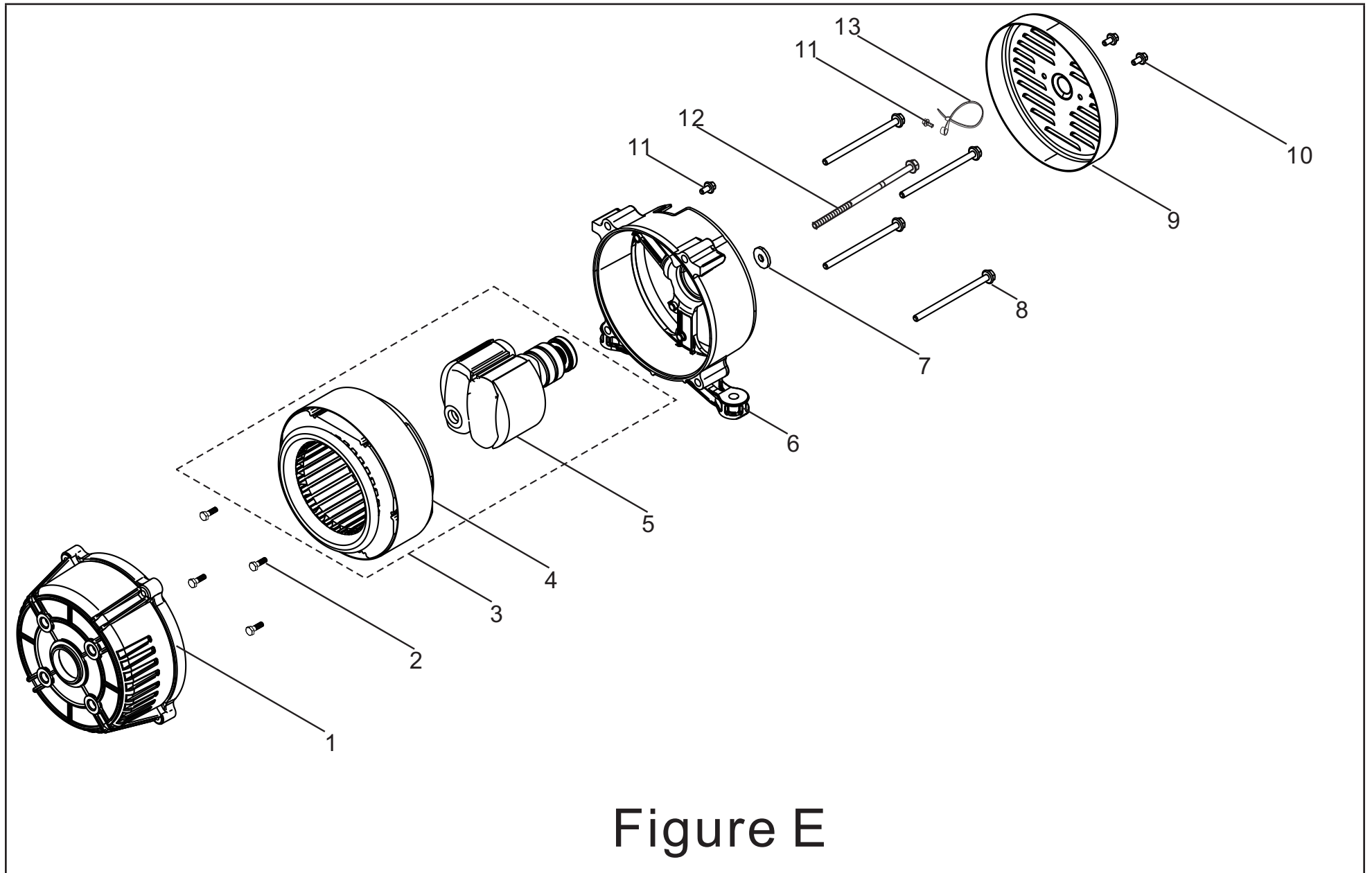


Figure E

ALTERNATOR PARTS LIST

#	Part Number	Description	Qty.
1	30031-000001	Alternator Front Housing	1
2	90001-000043	M8 x 20 Hexagon Flange Bolt	4
3	31300-000030	Alternator Assembly, AL, D160 x 54	1
4	31310-000020	Stator, AL, D160 x 54	1
5	31330-000013	Rotor, AL, D160 x 54	1
6	30021-000003	Alternator End Housing	1
7	90408-000009	Flat Washer, Ø8.3 × Ø23 × 3	1
8	30048-000003	Stator Bolt M6 x 100	4
9	30022-000004	End Housing Cover, Yellow	1
10	90001-000004	M5 x 12 Hexagon Flange Bolt	2
11	90001-000007	M5 x 16 Hexagon Flange Bolt	2
12	30049-000003	Rotor Bolt M8 x 1.25 x 180	1
13	90727-000001	Cable Tie, 4 x 200	1

FUEL TANK PARTS DIAGRAM

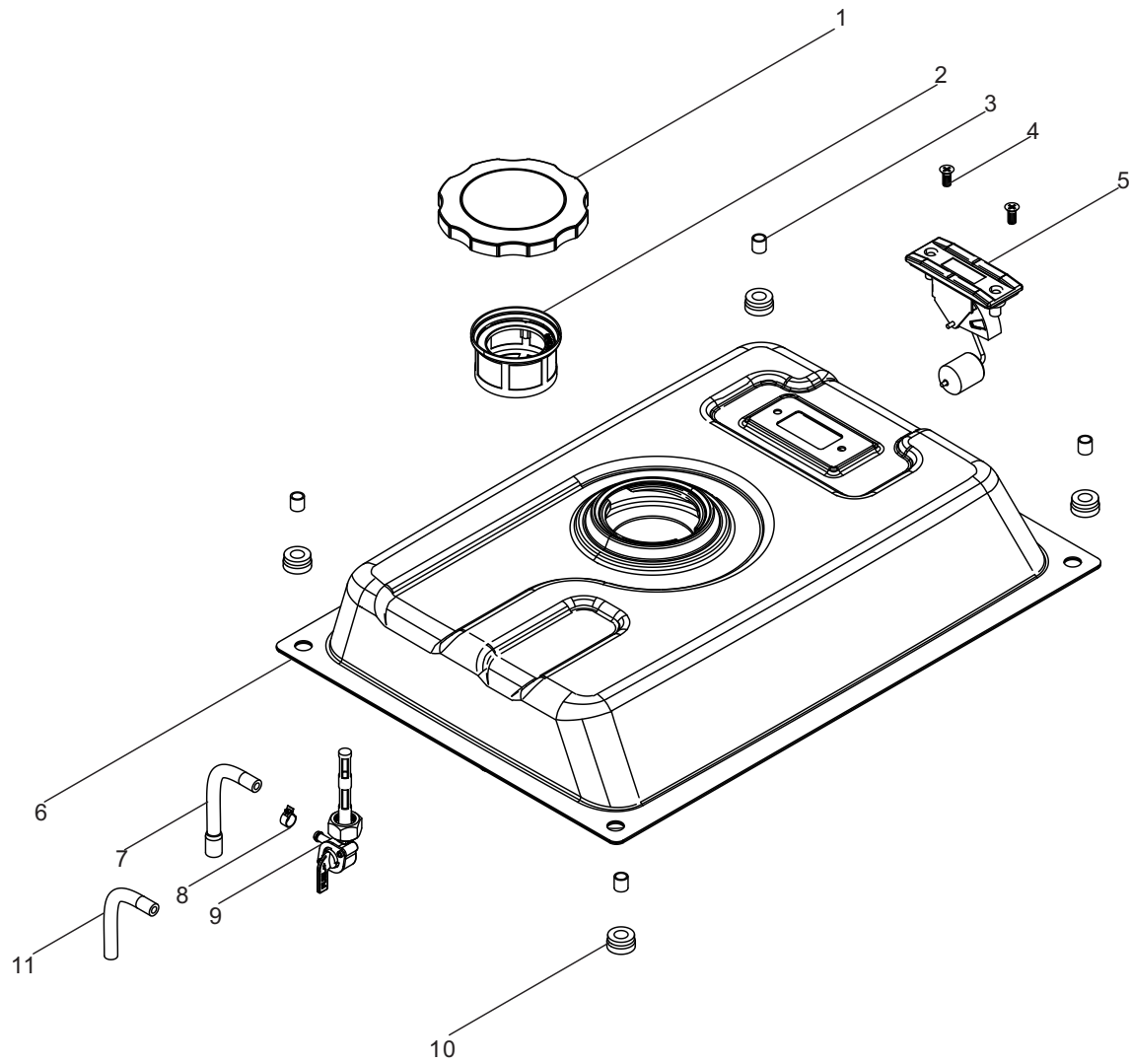


Figure F

FUEL TANK PARTS LIST

#	Part Number	Description	Qty.
1	16730-000002	Fuel Tank Cap	1
2	16652-000008	Fuel Filter	1
3	90683-000005	Bushing	4
4	90104-000002	M5 x12 Screw	2
5	37200-000005	Fuel Gauge	1
6	16620-000009	Fuel Tank, 5.5L, Yellow	1
7	90686-000039	Fuel Tube, Ø4.5 x Ø8.5 x 130	1
8	90685-000012	Clamp, Ø8 x 0.6 x 7	1
9	16750-000007	Fuel Valve Assembly	1
10	16601-000003	Fuel Tank Support Sleeve	4
11	30431-000001	Rubber Sleeve, Ø9 x Ø11 x 60	1

CONTROL PANEL PARTS DIAGRAM

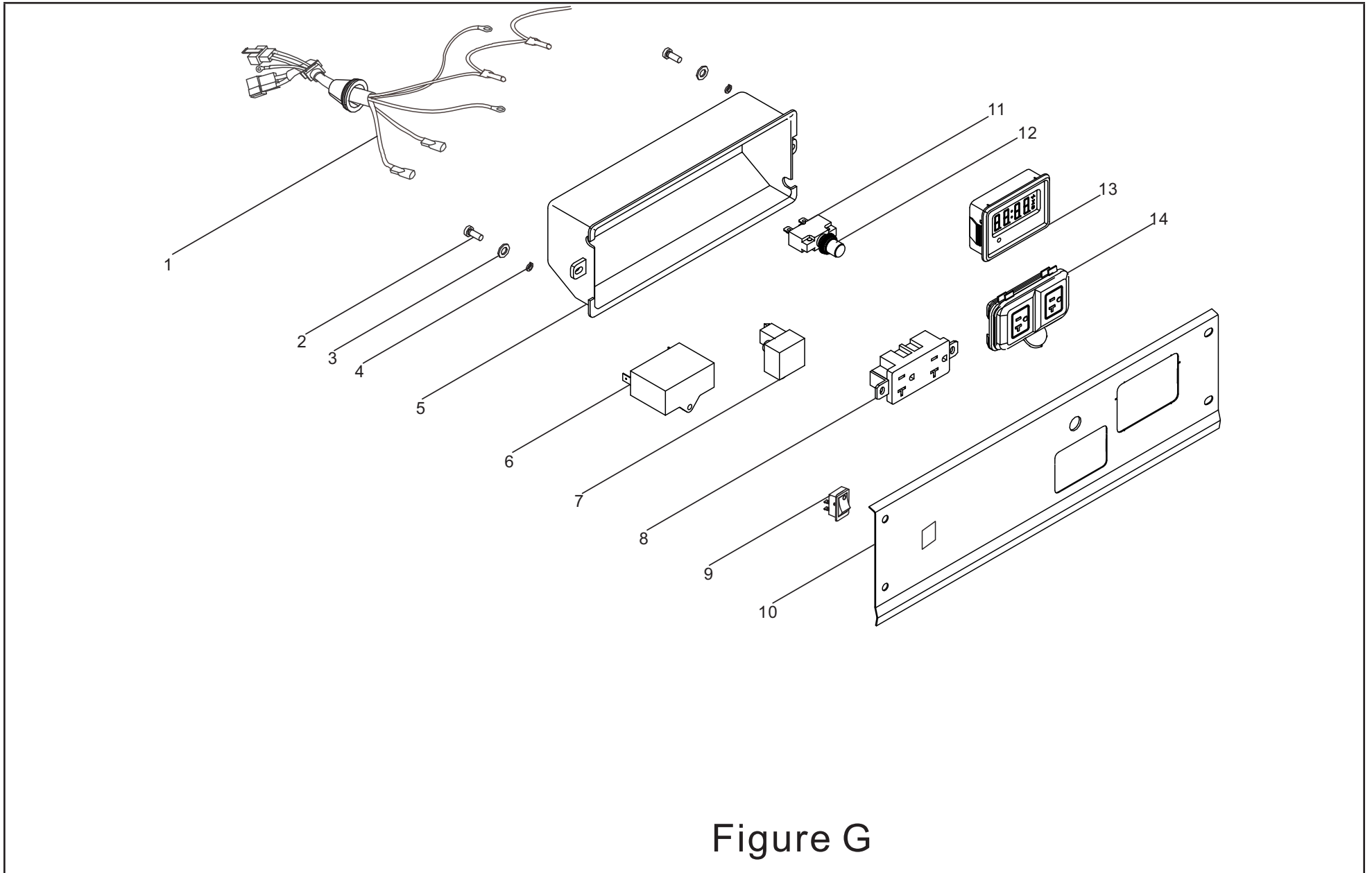


Figure G

CONTROL PANEL PARTS LIST

#	Part Number	Description	Qty.
1	35660-000054	Wire Harness, Control Panel	1
2	90103-000011	M5 x 12 Screw	2
3	90408-000003	Flat Washer	2
4	90403-000001	Spring Washer	2
5	35601-000006	Control Panel Housing	1
6	35639-000003	Capacitor, 12uF	1
7	30036-000001	Control Module, DC08	1
8	35614-000017	5-20R Receptacle, 20A, 125V	1
9	35160-000003	Engine Switch	1
10	35650-000046	Control Panel	1
11	31234-000006	Circuit Breaker, Push Button, 10A	1
12	35654-000005	Circuit Breaker Cover	1
13	35632-000006	Intelliguage, INT1AOF	1
14	35654-000004	Receptacle Cover, 5-20R, Duplex	1

FRAME ASSEMBLY PARTS DIAGRAM

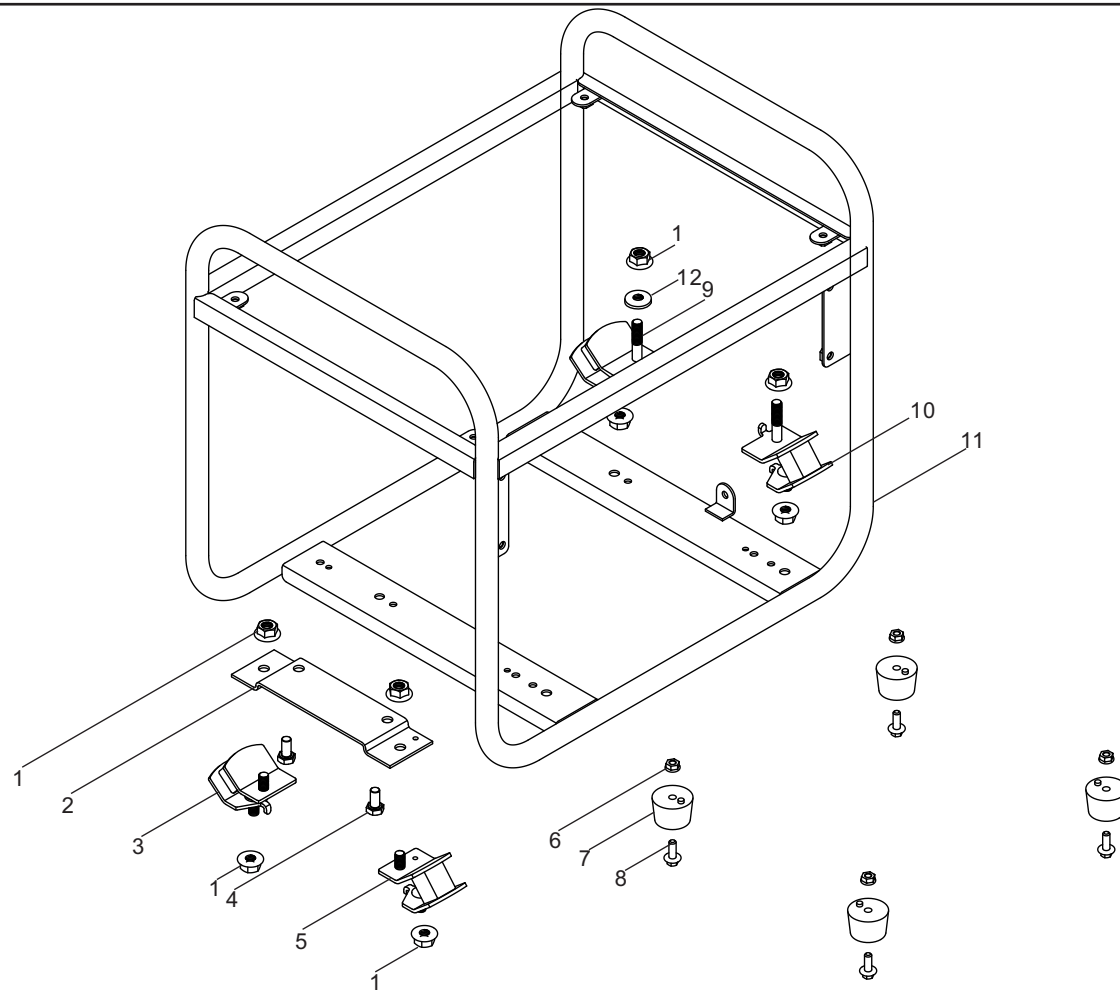


Figure H

FRAME ASSEMBLY PARTS LIST

#	Part Number	Description	Qty.
1	90305-000011	M8 Hexagon Flange Nut	8
2	51002-000001	Engine Fixed Plate	1
3	51005-000005	Vibration Mount 1, Frame	1
4	90001-000041	M8 x 16 Hexagon Flange Bolt	2
5	51011-000004	Vibration Mount 2, Frame	1
6	90305-000006	M6 Hexagon Flange Nut	4
7	51014-000002	Vibration Mount, Support Leg	4
8	90001-000019	M6 x 12 Hexagon Flange Bolt	4
9	51011-000001	Vibration Mount 3, Frame	1
10	51005-000002	Vibration Mount 4, Frame	1
11	51100-000010	Frame Assembly, Ø19 x 1.2	1
12	90406-000005	Washer Ø24 x Ø8.4 x 2	1

WIRING DIAGRAM

